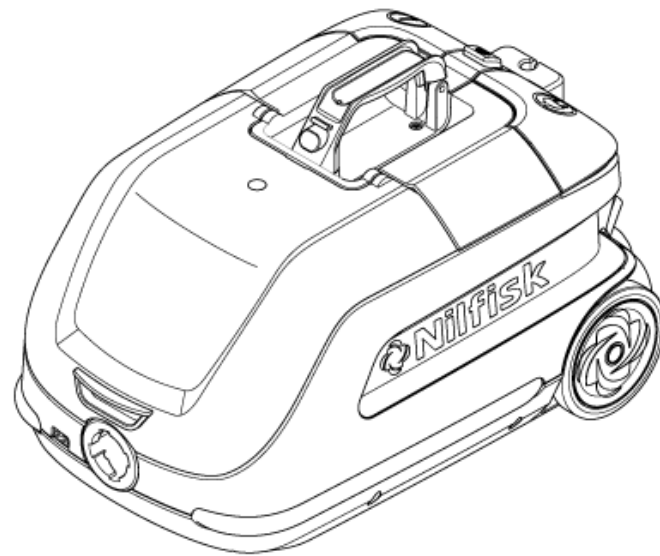


# VP600

---

Model:  
VP600



Part List US-English

27-03-2015

# Table of Contents

VP600

<b>Overview</b>	<b>3</b>
<b>Accessories</b>	<b>5</b>
<b>Recommended spare parts</b>	<b>7</b>

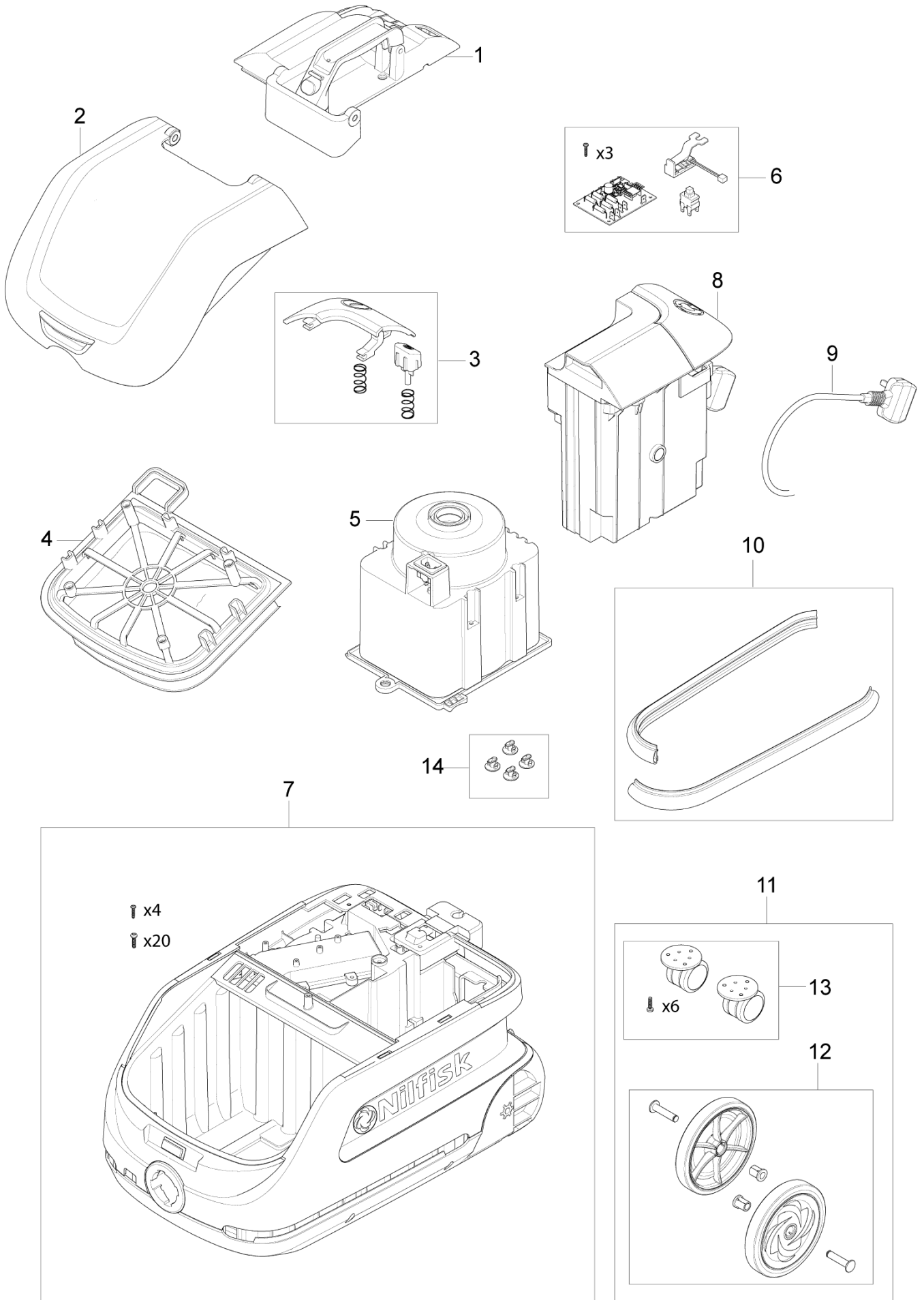
# Overview

VP600

27-03-2015

Part List ID  
VP60002

3



# Overview

VP600

27-03-2015

Part List ID

VP60002

4

Pos	Part no.	Qty	Description
1	107413062	1	HANDLE KIT
2	107413059	1	LID
3	107413064	1	BOTTON KIT
4	107413056	1	SACKFILTER BASIC
5	107413052	1	MOTORMODUL EU
5	107413053	1	MOTORMODUL US
5	107413054	1	MOTORMODUL JP
6	107413067	1	PCB KIT EU
6	107413068	1	PCB KIT CN
7	107413058	1	PLASTIC KIT
7	107413066	1	BODY KIT
8	107413042	1	POWER MODUL FIXED UK
8	107413043	1	POWER MODUL FIXED EU
8	107413044	1	POWER MODULE DETACH EU
8	107413045	1	POWER MODULE DETACH AUS/NZ
8	107413046	1	POWER MODUL DETACH CN
8	107413047	1	POWER MODUL DETACH US
8	107413048	1	POWER MODUL REWINDER EU
8	107413049	1	POWER MODUL REWINDER AUS/NZ
8	107413050	1	POWER MODUL REWINDER JP
8	107413051	1	POWER MODUL REWINDER UK
9	107402678	1	DETACH CORD SET 10M ORG AUS/NZ
9	107402901	1	DETACH CORD SET 15M ORANGE EU
9	107413071	1	POWERCORD DETACHABLE CN
9	107413073	1	POWERCORD DETACHABLE US
9	140 6643 580	1	CORD SET 10.5M UK
9	140 6800 650	1	CORD SET 10M EU
10	107413065	1	BUMPER KIT
11	107413055	1	WHEEL KIT
12	107413063	1	WHEEL KIT BACK
13	147 1040 500	1	FRONT WHEEL KIT POWER/EXTREME.
14	107413069	1	Q TURN

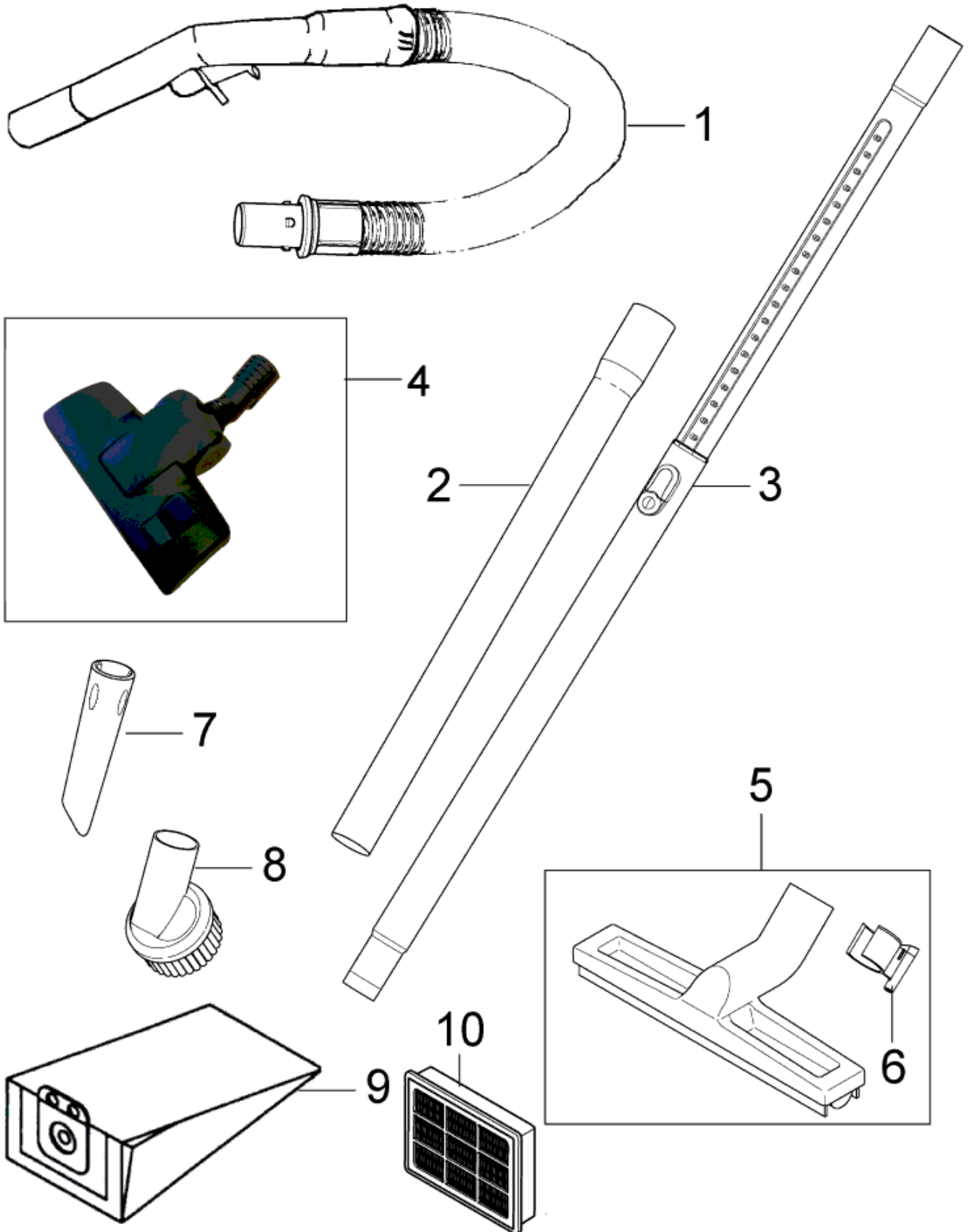
# Accessories

VP600

27-03-2015

Part List ID  
VP60004

5



# Accessories

VP600

27-03-2015

Part List ID  
VP60004

6

Pos	Part no.	Qty	Description
1	147 0765 500	1	HOSE CPL D32
2	011 6431 500	1	EXTENSION TUBE ALUMINIUM
3	011 8130 500	1	TELESCOPIC TUBE ALUMINIUM
4	107413075	1	NE10 NOZZLE
5	107413080	1	HARDFLOOR NOZZLE 350MM KIT
5	107413081	1	HARDFLOOR NOZZLE 495MM KIT
5	140 6700 540	1	NOZZLE MULTI SURFACE 32 MM
6	147 0585 500	1	PARKING CLIP BLACK
7	147 0146 500	1	CREVICE NOZZLE D32 L153 BLACK
8	140 8244 500	1	BRUSH NOZZLE D32
9	107413076	1	DUSTBAG VP600 FLEECE 10 PIECES
9	107413077	1	DUSTBAG VP600 PAPER 10 PIECES
10	107409854	1	HEPA FILTER H14 CPL
10	147 1250 500	1	HEPA FILTER H13

# Recommended spare parts

VP600

27-03-2015

Part List ID  
VP60006

7

No Drawing For Part List

# Recommended spare parts

VP600

27-03-2015

Part List ID  
VP60006

8

Pos	Part no.	Qty	Description
0	107402678	1	DETACH CORD SET 10M ORG AUS/NZ
0	107402901	1	DETACH CORD SET 15M ORANGE EU
	107413042	1	POWER MODUL FIXED UK
	107413043	1	POWER MODUL FIXED EU
	107413044	1	POWER MODULE DETACH EU
	107413045	1	POWER MODULE DETACH AUS/NZ
	107413046	1	POWER MODUL DETACH CN
	107413047	1	POWER MODUL DETACH US
	107413048	1	POWER MODUL REWINDER EU
	107413049	1	POWER MODUL REWINDER AUS/NZ
	107413050	1	POWER MODUL REWINDER JP
	107413051	1	POWER MODUL REWINDER UK
	107413052	1	MOTORMODUL EU
	107413053	1	MOTORMODUL US
	107413054	1	MOTORMODUL JP
	107413055	1	WHEEL KIT
	107413056	1	SACKFILTER BASIC
	107413064	1	BOTTON KIT
	107413067	1	PCB KIT EU
	107413068	1	PCB KIT CN
	107413069	1	Q TURN
	107413071	1	POWERCORD DETACHABLE CN
	107413073	1	POWERCORD DETACHABLE US
0	140 6643 580	1	CORD SET 10.5M UK
0	140 6800 650	1	CORD SET 10M EU