

Terra™ 28B



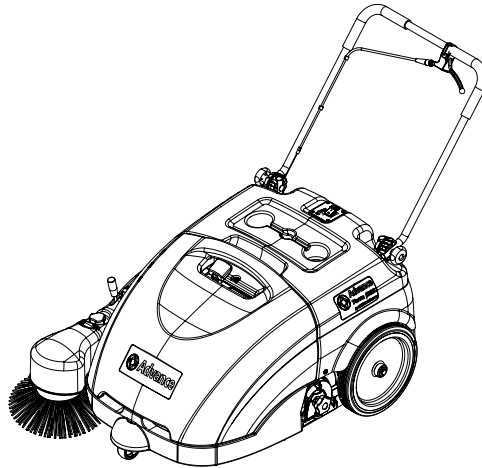
PARTS LIST

Advance model: 908 4702 010



Advance
by Nilfisk-Advance

146 3086 000(1)2007-01



DESCRIPTION

PLAN

GENERAL VIEW	2 - 3
CHASSIS SYSTEM	4 - 5
SIDE BROOM ASSEMBLY	6 - 7
HOPPER SYSTEM	8 - 9
TRANSMISSION SYSTEM	10 - 11
RIGHT-LEFT HATCH ASSEMBLIES	12 - 13
BELT TENSIONER ASSEMBLIES	14 - 15
DUST CONTROL SYSTEM	16 - 17
VACUUM SYSTEM AND FILTER ASSEMBLY	18 - 19
CONTROL PANELS SYSTEMS	20 - 21
WIRING DIAGRAM	22
RECOMMENDED SPARE PARTS	23

WHEN ORDERING PARTS

- * Use the 8, 9 or 10 digit numbers from the "Ref. No." columns in this parts list.
- * Specify the model and serial number of the machine.
- * Use the space below to record the model and serial number for future reference.

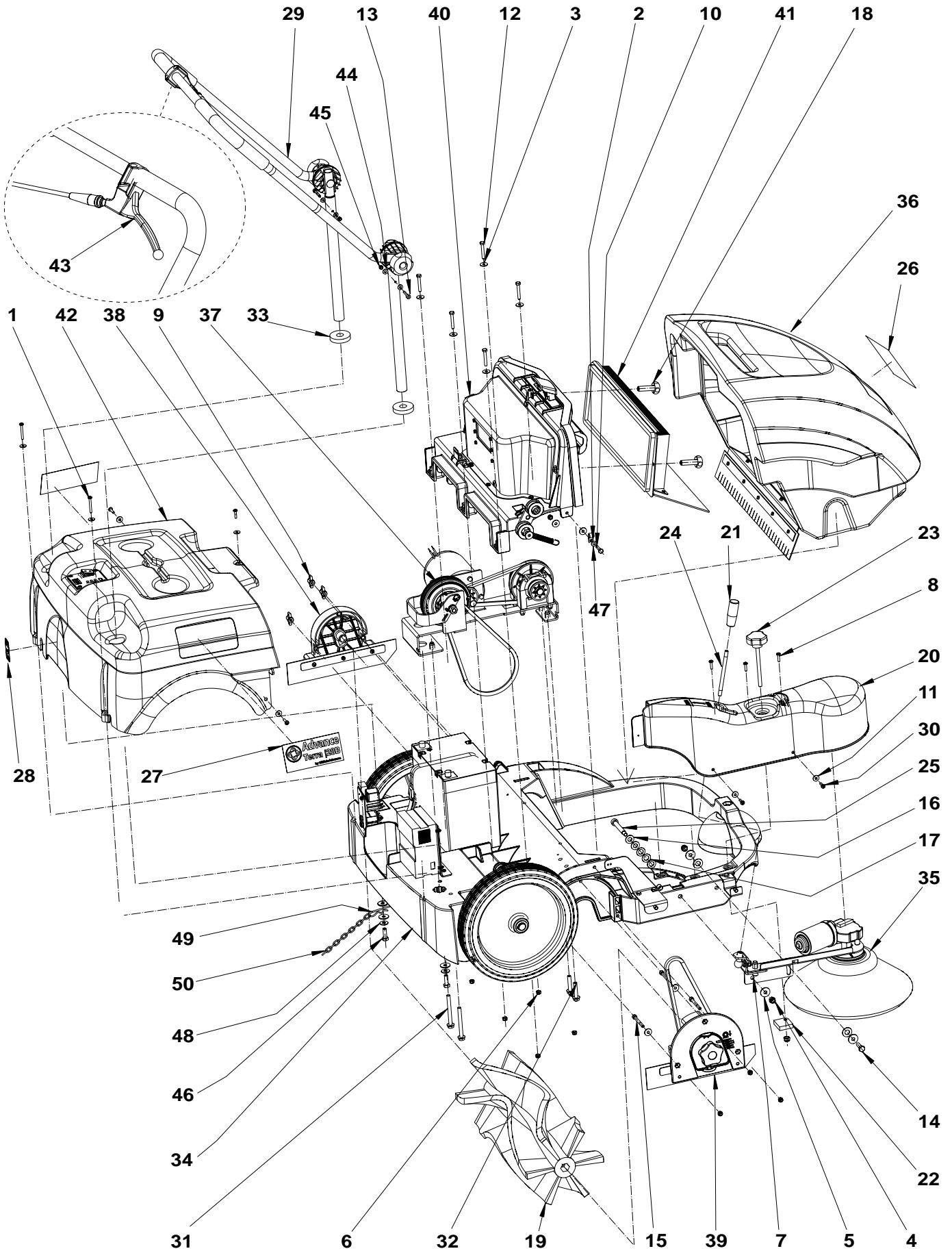
Model _____ Serial No. _____

[] = Not shown

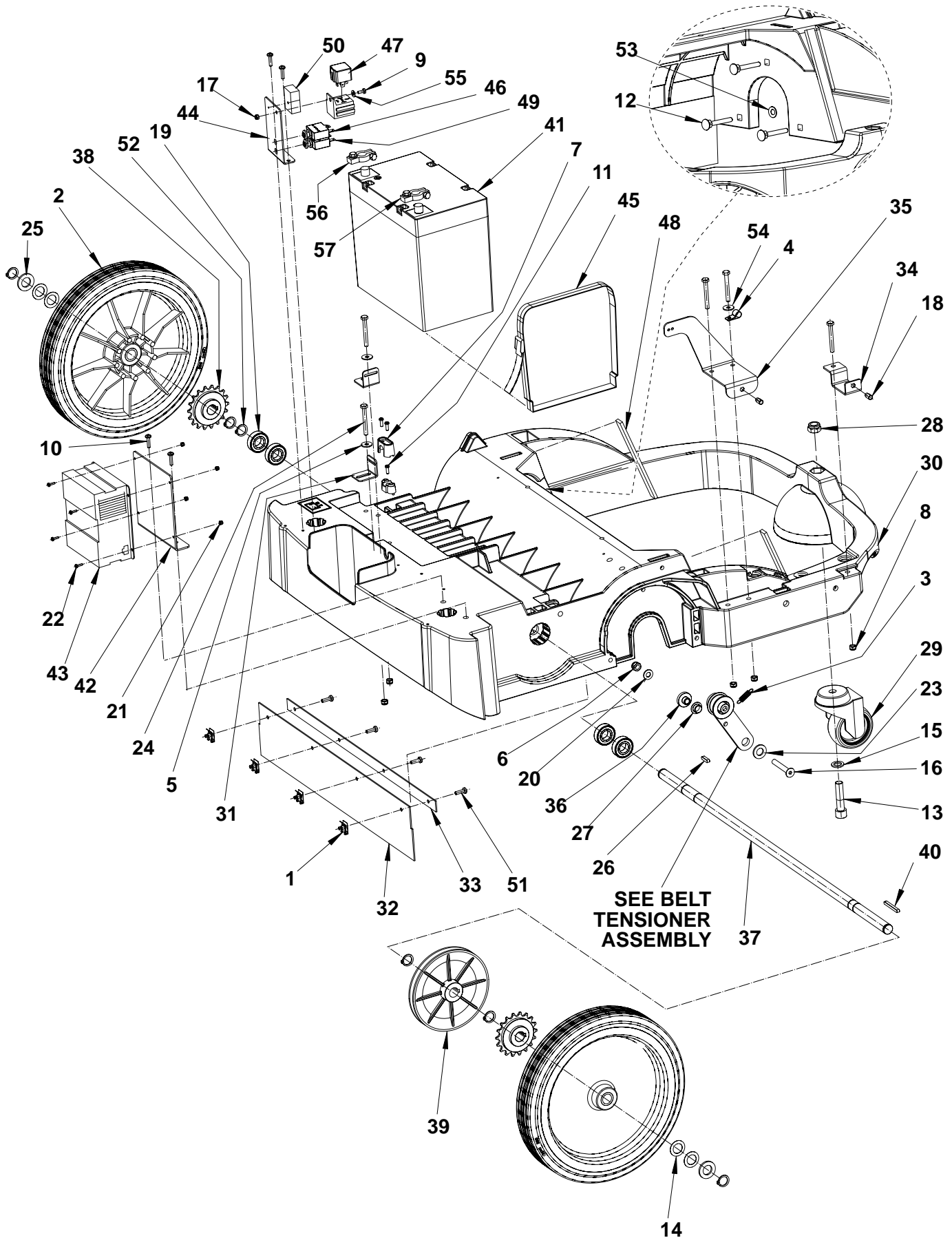
*** = Optional**

= Modified item No. or New item No.

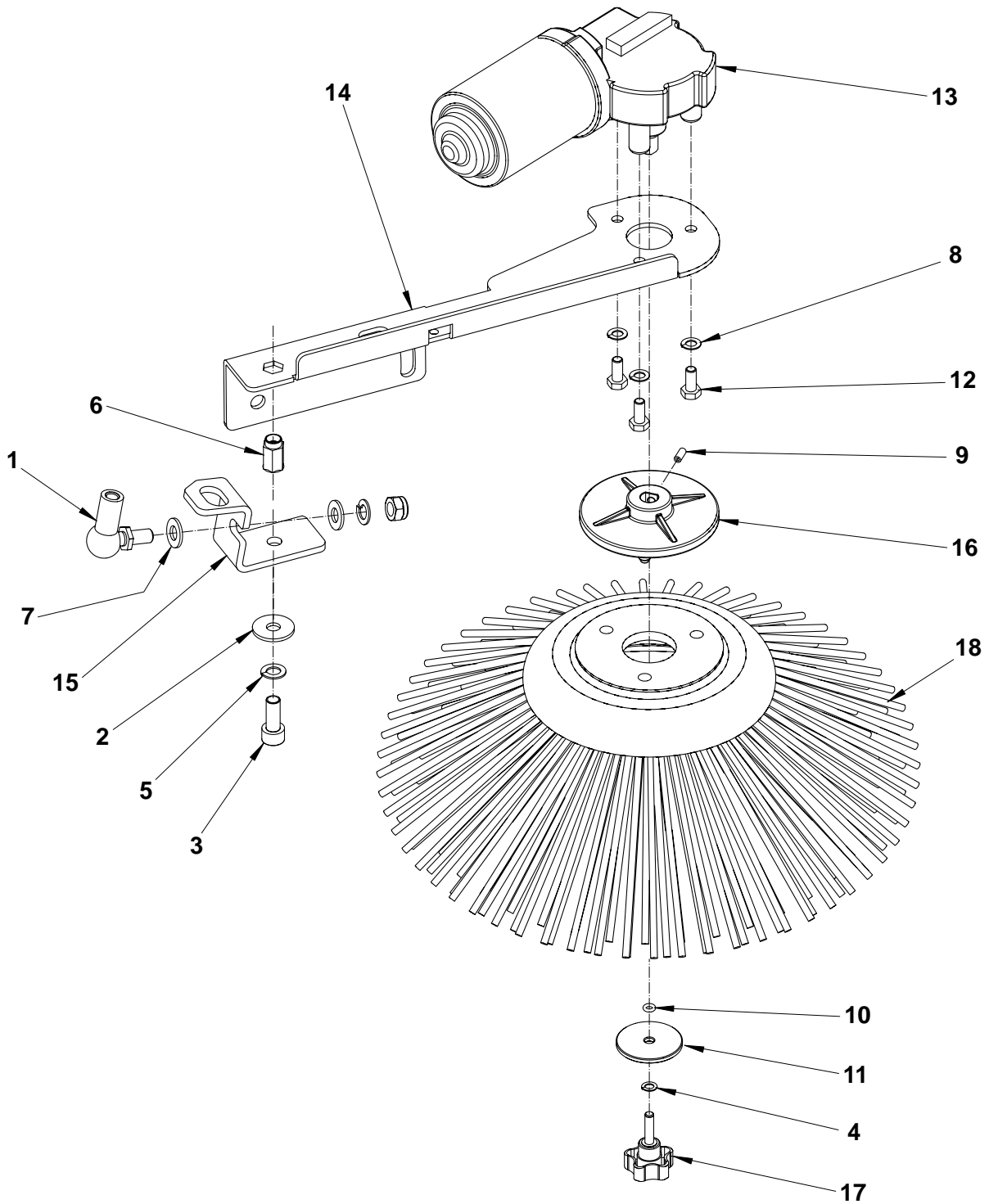
xxxxxxx = Contained in a Kit



Item No.	Ref. No.	Qty	Description
1	146 3114 000	2	SCREW PAN HD 4.6X40
2	08193000	1	CLAMP CABLE
3	08228600	12	WASHER FLAT 6X18
4	33005607	3	NUT SELFLOCKING M8
5	08300000	5	WASHER 8X24
6	33005604	10	NUT HEX SELFLOCKING M6
7	08812361	3	WASHER
8	08812590	6	SCREW PAN HD 4.6X19.2
9	145 0461 000	3	WING NUT M6
10	33003976	2	SCREW HEX HD M6X25
11	145 1261 000	7	WASHER
12	33003979	5	SCREW HEX HD M6X40
13	145 5740 000	2	SCREW
14	33003788	1	SCREW HEX HD M8X30
15	33004353	3	SCREW
16	33005916	2	WASHER FLAT
17	146 0617 000	2	SPRING
18	146 2991 000	2	HANDWHEEL M6
19	1463202000	1	MAIN BROOM D.200 PPL 0,6 BL
20	146 3033 000	1	SIDE CASE
21	146 3037 000	1	HANDLE
22	146 3038 000	1	BROOM SIDE ADJUSTER BLOCK
23	146 3039 000	1	HANDWHEEL M8
24	146 3040 000	1	SIDE BROOM LEVER
25	146 3041 000	1	SHOULDER BOLT M10X60
26	146 3057 000	1	DECAL ADVANCE
27	146 3061 000	2	DECAL TERRA 28B
28	146 3065 000	1	FUSES DECAL
29	146 3066 000	1	HANDLE BAR
30	146 2090 000	2	SCREW CYL HD M5X16
31	146 3110 000	2	SCREW
32	146 3111 000	2	SCREW
33	146 3122 000	2	WASHER RUBBER
34		1	CHASSIS SYSTEM
35		1	SIDE BROOM ASSEMBLY
36		1	HOPPER SYSTEM
37		1	TRANSMISSION SYSTEM
38		1	LEFT HATCH ASSEMBLY
39		1	RIGHT HATCH ASSEMBLY
40		1	DUST CONTROL SYSTEM
41		1	FILTER ASSEMBLY
42		1	CONTROL PANEL ASSEMBLY
43	146 3068 000	1	ACCELERATOR LEVER
44	33005839	4	WASHER
45	33005561	2	NUT SELFLOCKING M5
46	145 9116 000	2	SCREW HEX HD M8X25
47	33005913	1	WASHER FLAT
48	33005842	2	WASHER M8
49	145 4533 000	1	SPLIT PIN
50	146 0611 000	1	CHAIN



Item No.	Ref. No.	Qty	Description
1	xxx xxxx xxx	4	CLIPS FOR SCREW M5 (KIT SKIRTS)
2	146 2995 000	2	WHEEL BLACK
3	145 8925 000	1	SPRING
4	08193000	1	CLAMP CABLE
5	08228600	2	WASHER FLAT 6X18
6	33005607	1	NUT SELFLOCKING M8
7	08338600	1	CLAMP
8	33005604	5	NUT HEX SELFLOCKING M6
9	08604077	1	SCREW CYL HD M4X10
10	08812590	4	SCREW PAN HD 4.6X19.2
11	08812804	3	SCREW 4X12
12	145 0571 000	3	SCREW CARRIAGE SS
13	145 2826 000	1	SCREW TCEI M12X55
14	145 2626 000	4	SPRING
15	33005870	1	WASHER, TOOTHED Ø12
16	145 5900 000	1	SCREW 8X55
17	145 5743 000	1	NUT
18	145 6132 000	2	INSERT M5
19	145 8415 000	4	BALL BEARING
20	33005915	1	WASHER FLAT 8X17
21	33005601	4	NUT HEX SELF LOCK M3
22	145 9143 000	4	SCREW CYL HD THD FORM 3X10
23	33003720	1	WASHER FLAT
24	33003981	5	SCREW HEX HD 6X50
25	33005919	2	WASHER FLAT
26	145 9774 000	1	KEY
27	146 0549 000	1	BUSHING FLANGED
28	08601000	1	NUT HEX LOW SELF LOCK M12
29	146 1832 000	1	WHEEL
30	146 2978 000	1	CHASSIS
31	146 2979 000	2	BRACKET BATTERY FIXING
32	xxx xxxx xxx	1	SKIRT REAR (KIT SKIRTS)
33	xxx xxxx xxx	1	PLATE REAR SKIRT (KIT SKIRTS)
34	146 2983 000	1	CARTER FIXING BRACKET
35	146 2984 000	1	CARTER FIXING BRACKET
36	146 2987 000	1	TENSIONER ARM BUSHING
37	146 2994 000	1	WHELLS SHAFT
38	146 2997 000	2	CROWN Z18
39	146 2998 000	1	PULLEY Ø140
40	146 2999 000	1	KEY 5X5X45
41	00190083	1	BATTERY 12V 77AH GEL
42	146 3050 000	1	BATT. CHARGER FIX BRACKET
43	146 3051 000	1	BATTERY CHARGER 12V 6AH
44	146 3053 000	1	ELECTRONIC COMP. SUPPORT
45	146 3054 000	1	BATTERY FIXING BELT
46	146 3090 000	1	CIRCUIT BREAKER 5A
47	146 3113 000	1	RELAIS 12V 70A TYCO
48	146 3126 000	2	GASKET
49	909 5706 000	1	CIRCUIT BREAKER 30A
50	909 6341 000	1	FUSE CARRIER
51	xxx xxxx xxx	4	SCREW CYL HD M5X16 (KIT SKIRTS)
52	146 3001 000	6	SEEGER E17
53	146 2081 000	3	WASHER RETAINING
54	33005913	1	WASHER FLAT
55	33005911	1	WASHER 4x9
56	08812063	1	BATTERY CLAMP +
57	08812064	1	BATTERY CLAMP -
[58]	146 3052 000	1	MACHINE HARNESS
[59]	08600497	5	CLAMP 2,4X136 WHITE
[60]	146 3124 000	1	SKIRTS KIT (1,32,33,51 - 1,2,3,5,6,7 PAG.9 - 1,2,4,13,14 PAG.13)
[61]	1463166000	1	SKIRTS KIT (32 - 6 PAG. 9 - 13 PAG. 13)
[62]*	1463167000	1	NO MARKING SKIRTS KIT
[63]	909 5783 000	1	CABLE EXTENTION



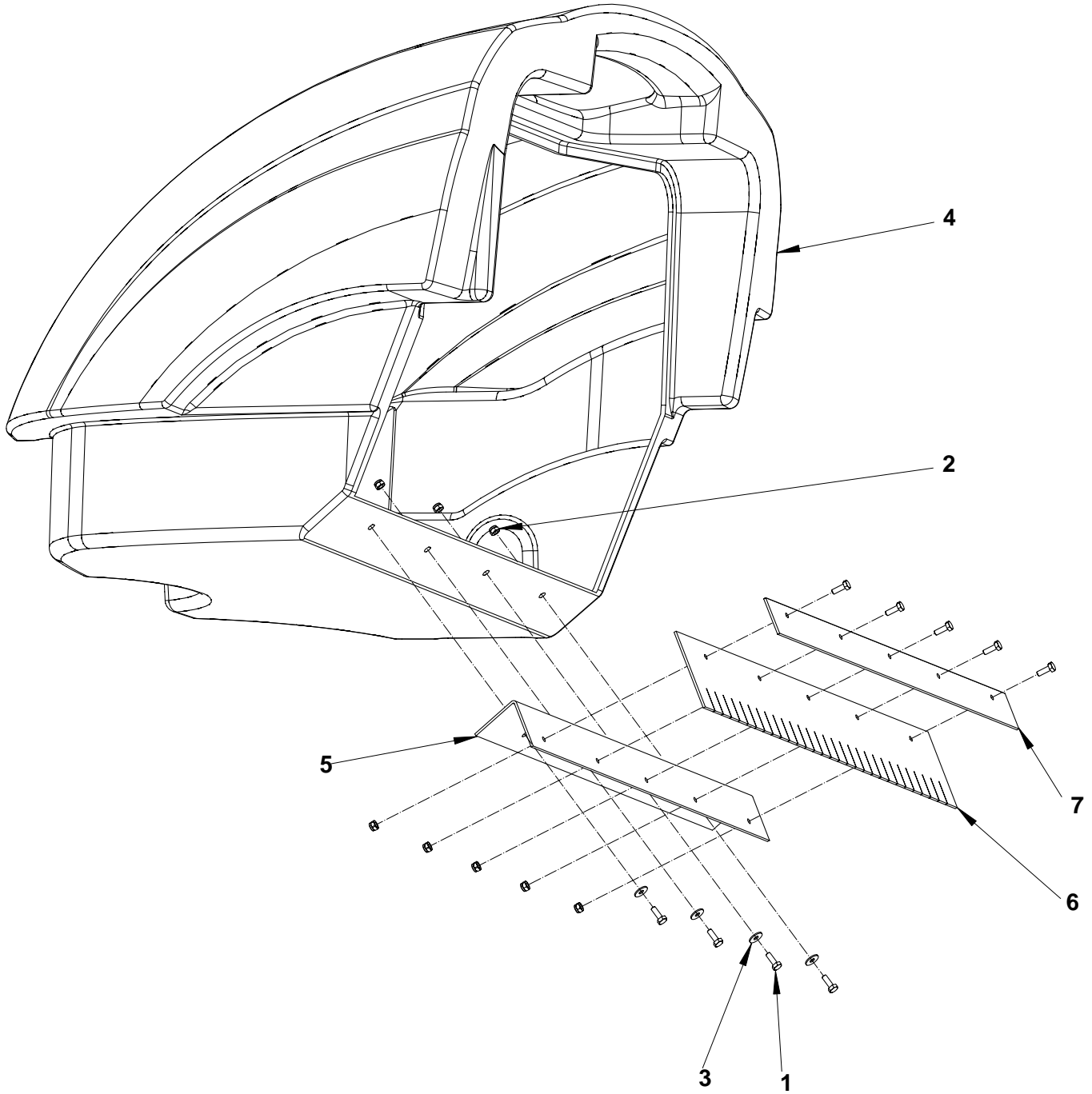
2007-01

SIDE BROOM ASSEMBLY

Terra™ 28B

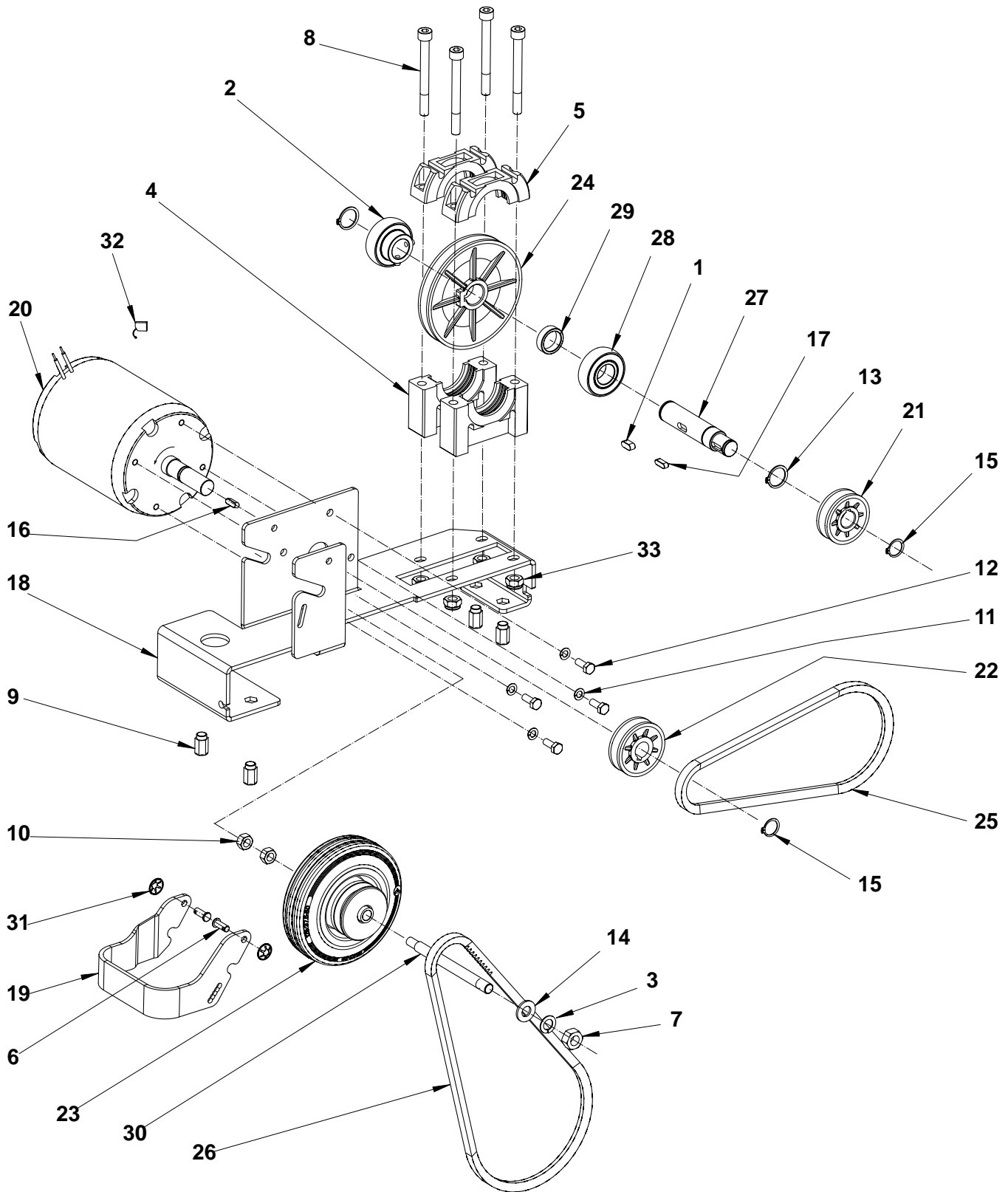
7

Item No.	Ref. No.	Qty	Description
1	145 9768 000	1	ARTICULATED HEAD
2	08300000	1	WASHER 8X24
3	33004365	1	SCREW
4	33005839	1	WASHER
5	33005842	2	WASHER SPLIT 8
6	145 6133 000	1	INSERT HEX. M8
7	33005915	2	WASHER FLAT 8X17
8	33005851	3	WASHER SPLIT 6
9	146 1533 000	1	DOWEL
10	146 1839 000	1	O-RING GASKET
11	146 1855 000	1	SPACER Ø5,5XØ38X3
12	146 2126 000	3	SCREW HEX HD M6X14
13	146 3028 000	1	REDUCTION GEAR MOTOR
14	146 3029 000	1	SIDE BROOM SUPPORT
15	146 3030 000	1	BRACKET
16	146 3031 000	1	SIDE BROOM HUB
17	146 3032 000	1	KNOB M5X20
18	146 3035 000	1	SIDE BROOM Ø315 PPL 0,5
18*	146 3036 000	1	SIDE BROOM Ø315 (CARPET)



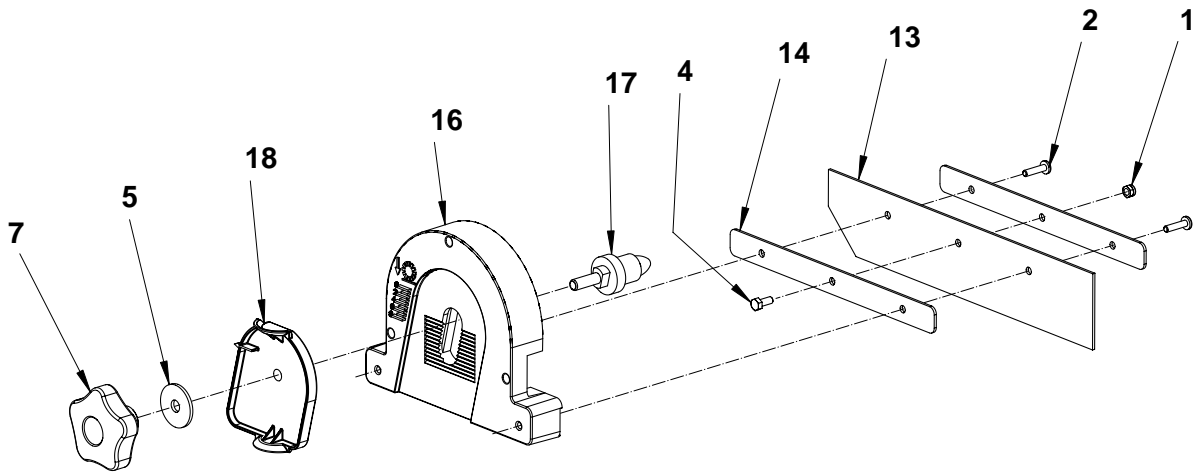
2007-01	HOPPER SYSTEM			
	Terra™ 28B			9

Item No.	Ref. No.	Qty	Description
1	xxxxxxx	9	SCREW HEX HD M4X12 (KIT SKIRTS - PAG.5)
2	xxx xxxx xxx	9	NUT (KIT SKIRTS - PAG.5)
3	xxx xxxx xxx	4	WASHER FLAT 4X12 (KIT SKIRTS - PAG.5)
4	146 3042 000	1	DIRT CONTAINER
5	xxx xxxx xxx	1	FLAP ANGULAR (KIT SKIRTS - PAG.5)
6	xxx xxxx xxx	1	DIRT CONTAINER FLAP (KIT SKIRTS - PAG.5)
7	xxx xxxx xxx	1	PLATE DIRT CONTAINER SKIRT (KIT SKIRTS - PAG.5)

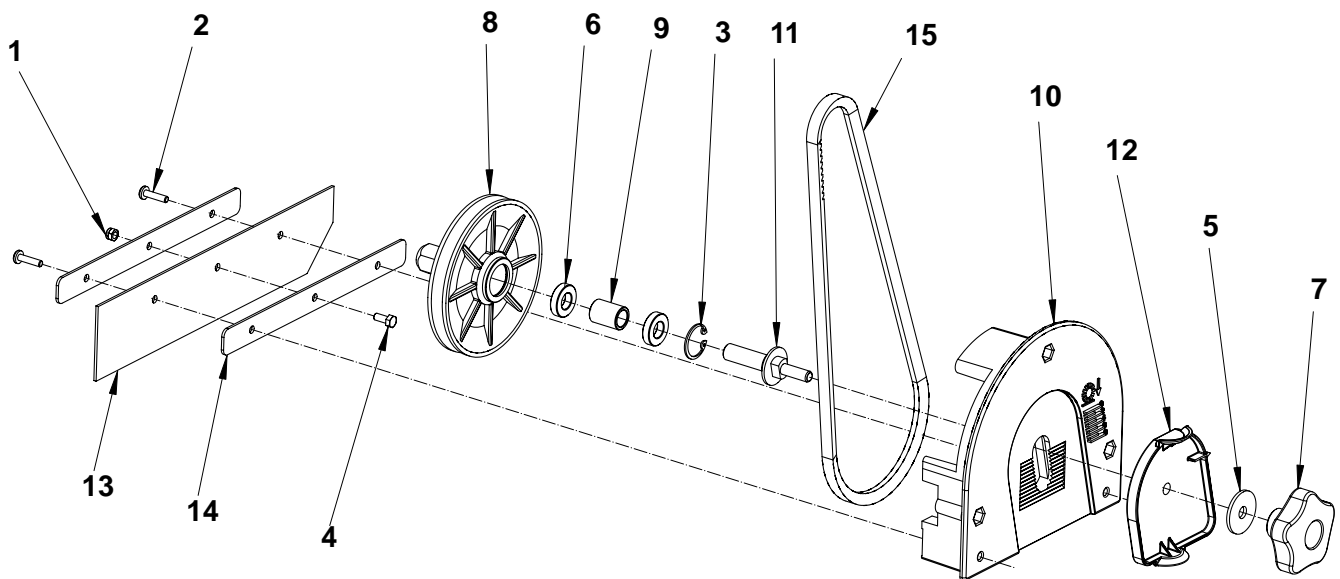


Item No.	Ref. No.	Qty	Description
1	33008007	1	KEY 6X6X14
2	145 1123 000	1	BEARING
3	33005843	1	WASHER
4	145 1976 000	2	SUPPORT LOWER
5	145 1977 000	2	SUPPORT UPPER
6	145 2460 000	2	PIN
7	33005505	1	NUT HEX M10
8	145 5741 000	4	SCREW M8X25
9	145 6133 000	4	INSERT HEX. M8
10	33005504	2	NUT HEX M8
11	33005851	4	WASHER SPLIT 6
12	33003974	4	SCREW HEX. HD M6X16
13	33006059	2	SEEGER E20
14	33005916	1	WASHER FLAT
15	145 9356 000	2	RETAINING RING
16	146 1451 000	1	TAB
17	146 1017 000	1	TAB
18	146 3000 000	1	MOTOR SUPPORT PLATE
19	146 3002 000	1	BRACKET
20	146 3003 000	1	ELECTRIC MOTOR 12V 200W
21	146 3004 000	1	PULLEY Ø46
22	146 3005 000	1	PULLEY Ø50
23	146 3006 000	1	FRICITION WHELL
24	146 3007 000	1	PULLEY Ø106
25	146 3008 000	1	BELT
26	146 3009 000	1	BELT
27	146 3010 000	1	SHAFT
28	146 3011 000	1	BALL BEARING
29	146 3012 000	1	SPACER Ø20,2XØ26X8
30	146 3013 000	1	SHAFT
31	146 3109 000	2	WACHER RETAINING Ø6
32	146 3143 000	1	4 CARBON BRUSH KIT
33	33005565	4	NUT HEX SELFLOCKING M8

LEFT HATCH ASSEMBLY

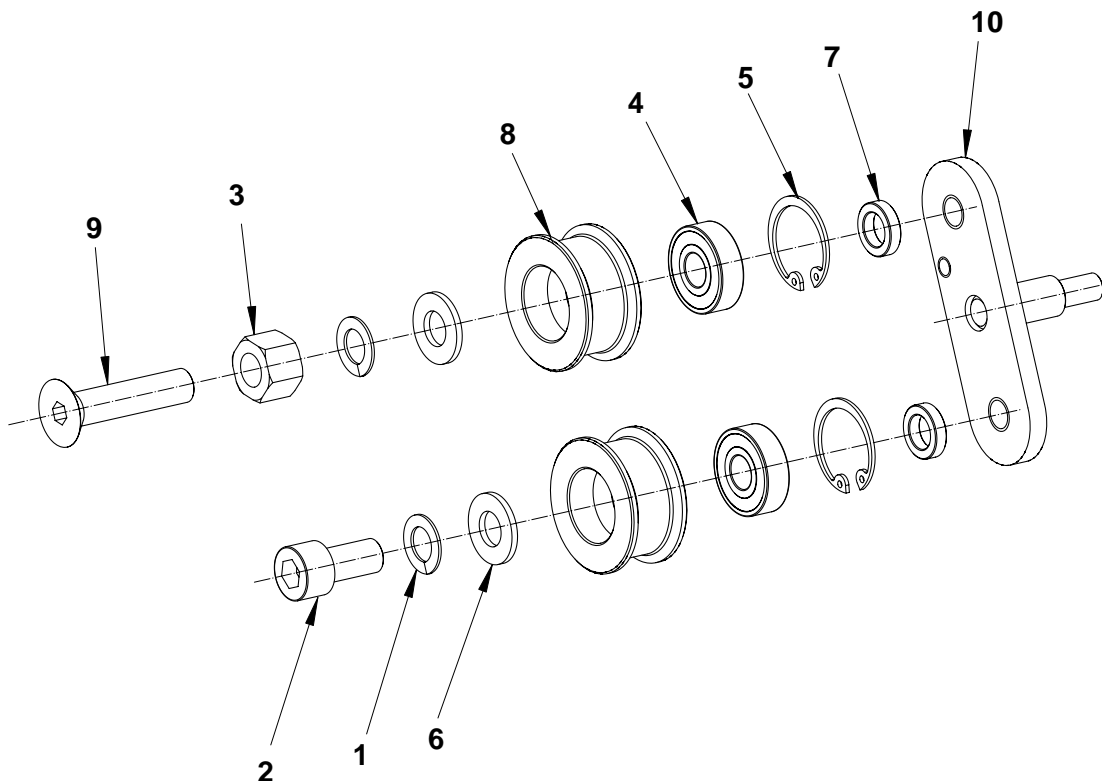


RIGHT HATCH ASSEMBLY

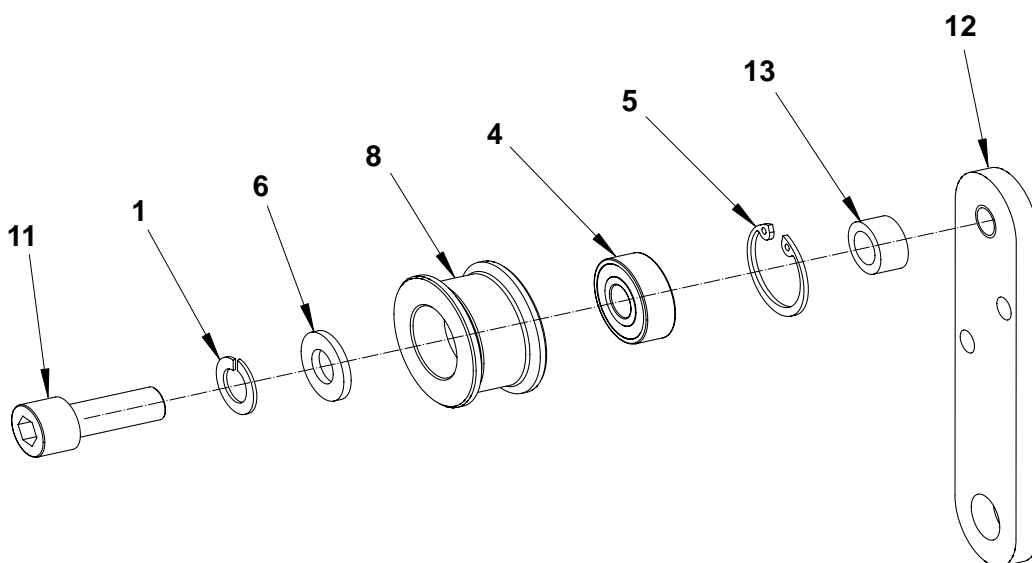


Item No.	Ref. No.	Qty	Description
1	xxxxxxx	2	NUT HEX SELF LOCK M5 (KIT SKIRTS - PAG.5)
2	xxxxxxx	4	SCREW PAN HD 4.6X19.2 (KIT SKIRTS - PAG.5)
3	33006154	1	SEEGER
4	xxxxxxx	1	SCREW HEX. HD M5X12 (KIT SKIRTS - PAG.5)
5	145 9171 000	2	WASHER FLAT 8X32
6	146 1818 000	2	BEARING 61901 2RS1
7	146 1852 000	2	HANDWHEEL
8	146 3014 000	1	PULLEY
9	146 3017 000	1	SPACER Ø12,2XØ17X23,5
10	146 3018 000	1	MAIN BROOM RIGHT HATCH
11	146 3021 000	1	PIN MAIN BROOM PULLEY
12	146 3022 000	1	PIN RIGHT SUPPORT
13	xxx xxxx xxx	2	SIDE SKIRT (KIT SKIRTS - PAG.5)
14	xxx xxxx xxx	4	PLATE SIDE SKIRT (KIT SKIRTS - PAG.5)
15	146 3027 000	1	BELT
16	146 3019 000	1	MAIN BROOM LEFT HATCH
17	146 3020 000	1	MAIN BROOM PIN
18	146 3023 000	1	PIN LEFT SUPPORT

DOUBLE BELT TENSIONER ASSEMBLY



BELT TENSIONER ASSEMBLY



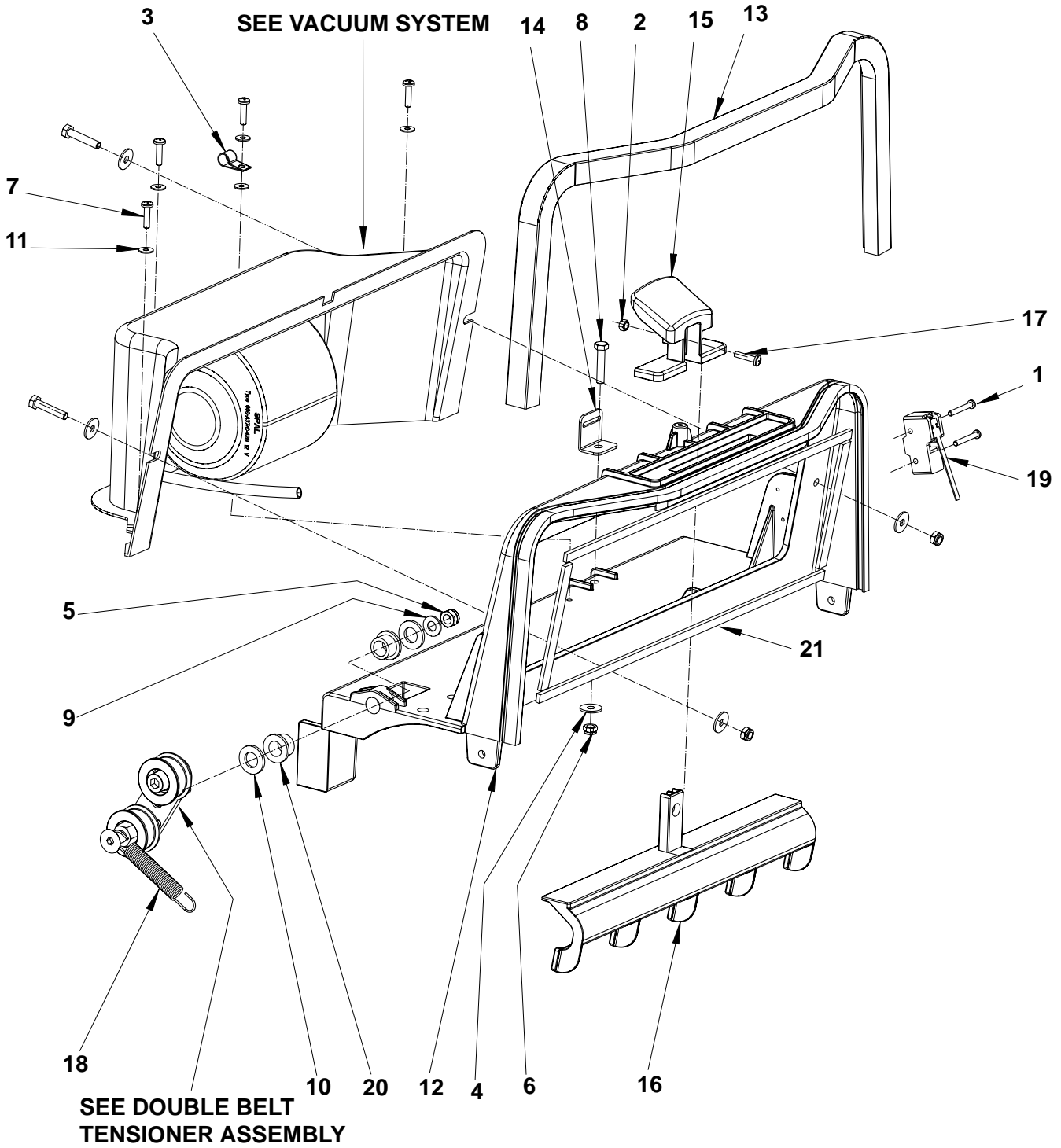
2007-01

BELT TENSIONER ASSEMBLIES

Terra™ 28B

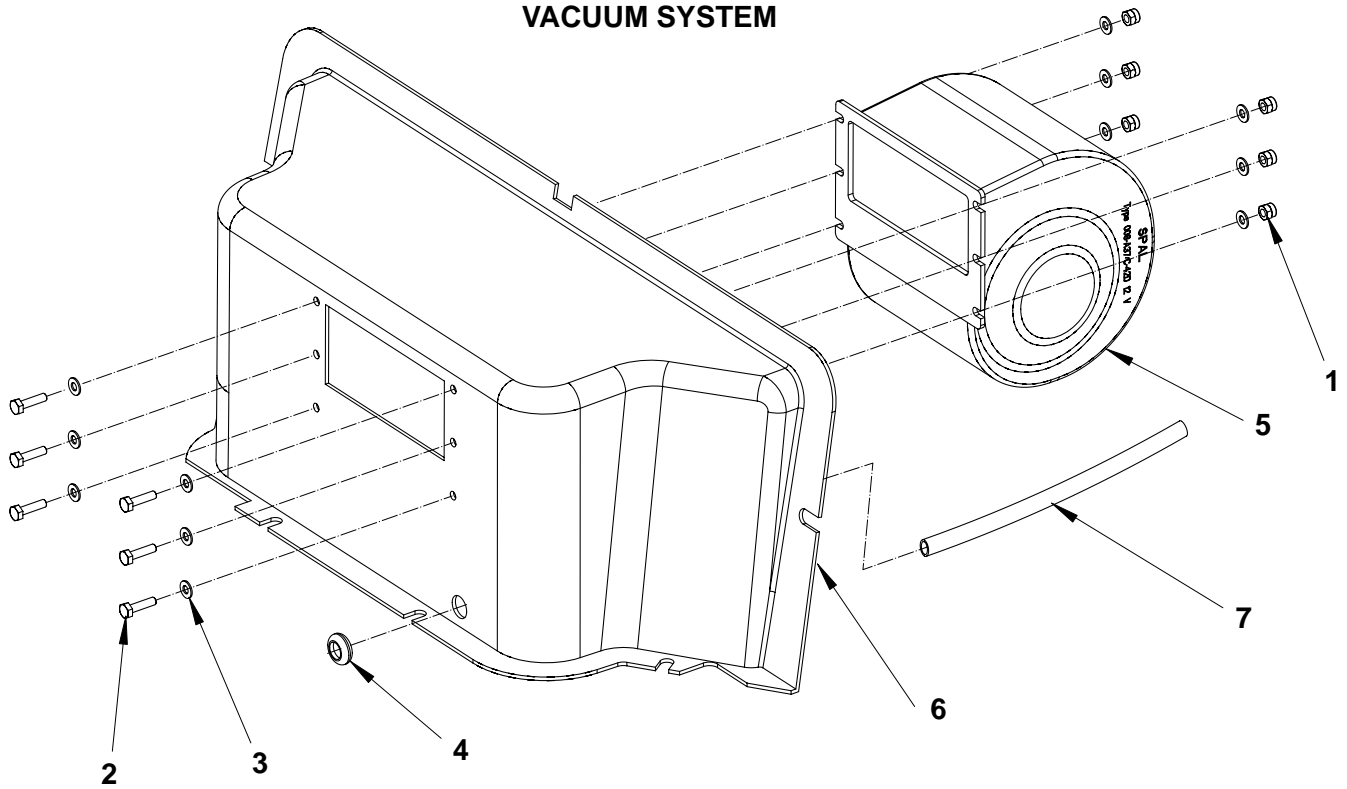
15

Item No.	Ref. No.	Qty	Description
1	145 1195 000	3	WASHER
2	145 5742 000	1	SCREW CYL HD M10X20
3	145 5746 000	1	NUT HEX M10
4	145 9186 000	3	BEARING
5	145 9189 000	3	RETAINING RING
6	145 9320 000	3	WASHER FLAT
7	146 0548 000	2	SPACER
8	146 0583 000	3	BELT TENSIONER ROLLER
9	146 0833 000	1	SCREW M10X45
10	146 1137 000	1	BELT TENSIONER ARM
11	145 1337 000	1	SCREW CYL HD M10X25
12	146 2985 000	1	BELT TENSIONER ARM
13	146 2986 000	1	SPACER Ø10,2XØ16X7,5

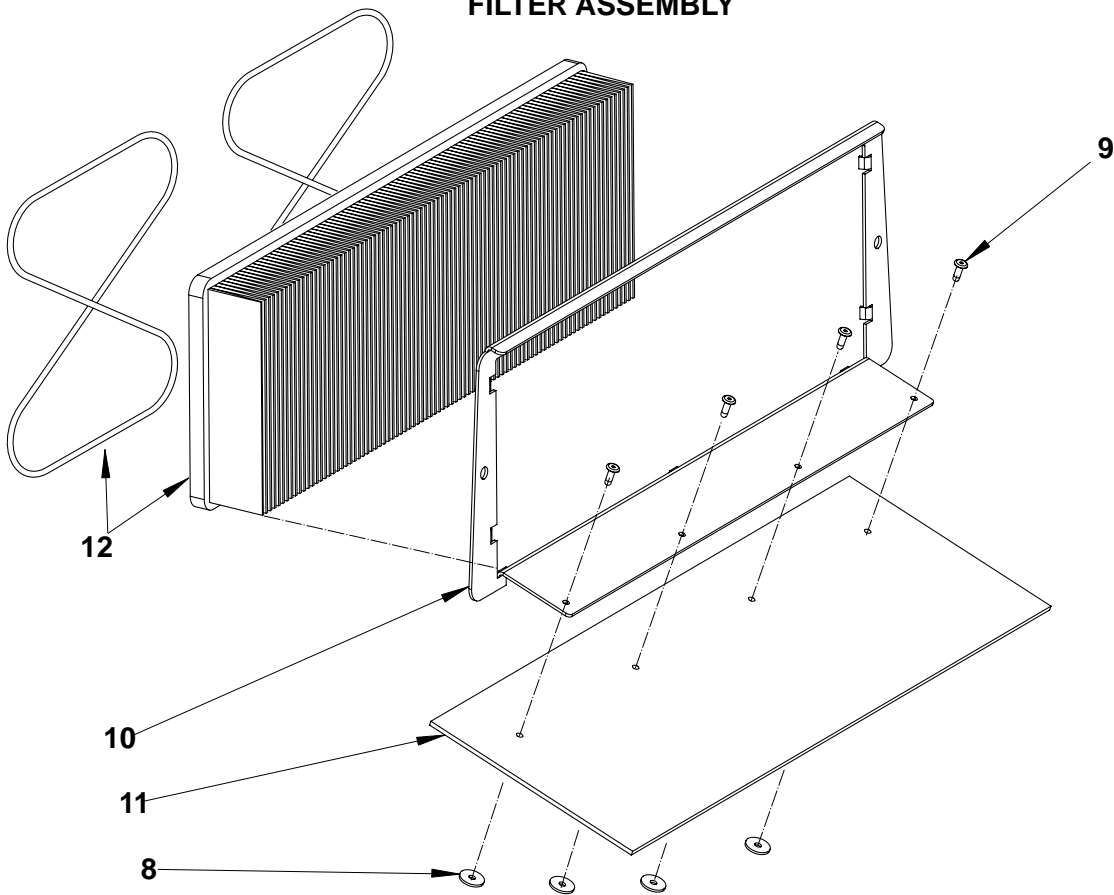


Item No.	Ref. No.	Qty	Description
1	146 3112 000	2	SCREW CYL HD THD FORM 4X30
2	33005603	1	NUT M5
3	08193000	1	CLAMP CABLE
4	08228600	5	WASHER FLAT 6X18
5	08299800	1	NUT SELFLOCKING M8
6	08361400	3	NUT HEX SELFLOCKING M6
7	08812590	4	SCREW PAN HD 4.6X19.2
8	146 0107 00	3	SCREW HEX HD M6X30
9	145 9120 000	1	WASHER FLAT 8X17
10	145 9165 000	2	WASHER FLAT
11	145 9237 000	5	WASHER FLAT 4X12
12	146 2988 000	1	FILTER SUPPORT
13	146 2989 000	1	GASKET
14	146 2990 000	1	BRACKET BATTERY FIXING
15	146 2992 000	1	FILTER SHAKER HANDLE
16	146 2993 000	1	FILTER SHAKER
17	146 2090 000	1	SCREW CYL HD M5X16
18	145 0274 000	1	SPRING
19	145 9679 000	1	MICROSWITCH
20	146 0549 000	2	BUSHING FLANGED
21	1463176000	1	GASKET FILTER KIT

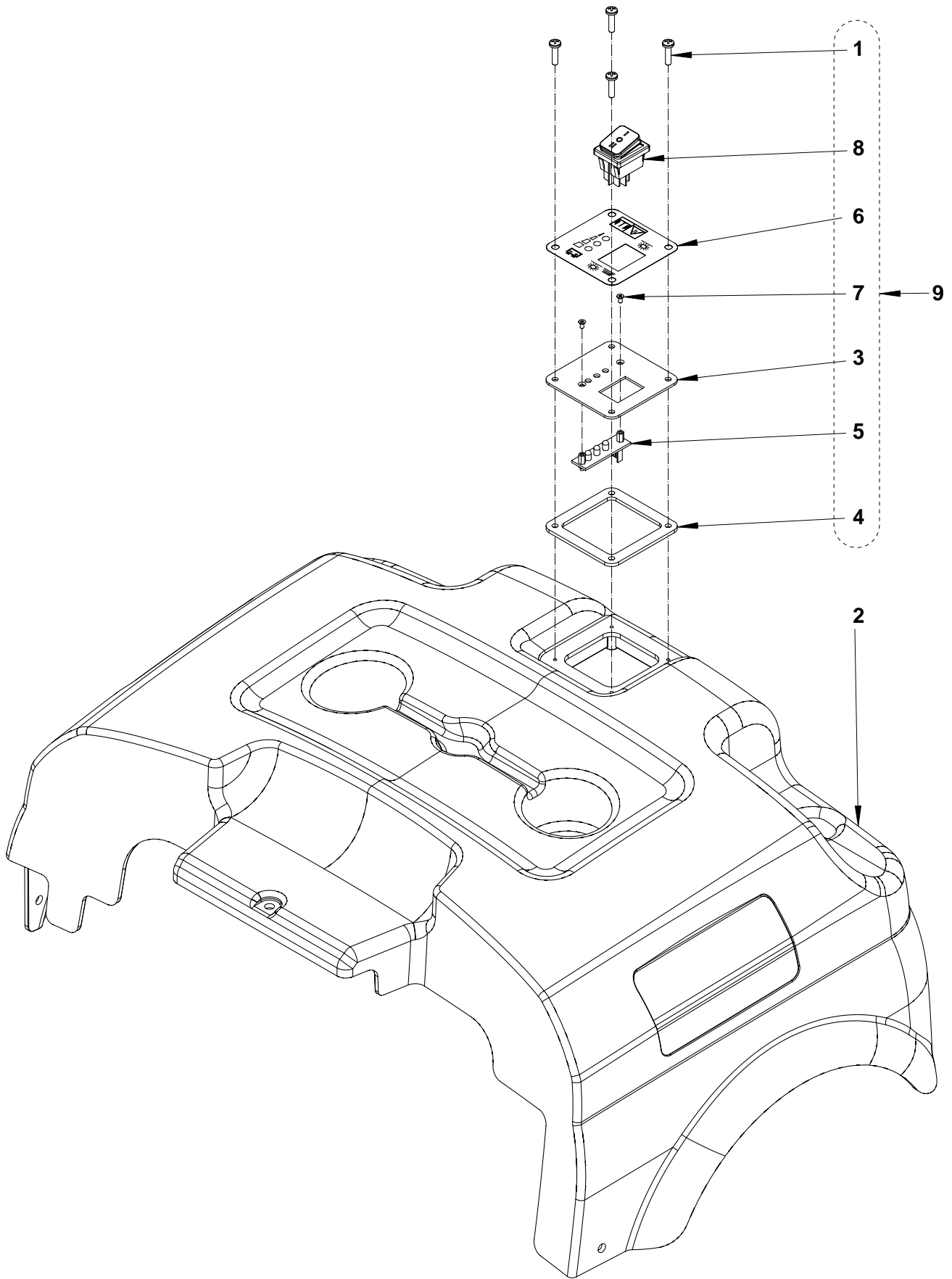
VACUUM SYSTEM



FILTER ASSEMBLY

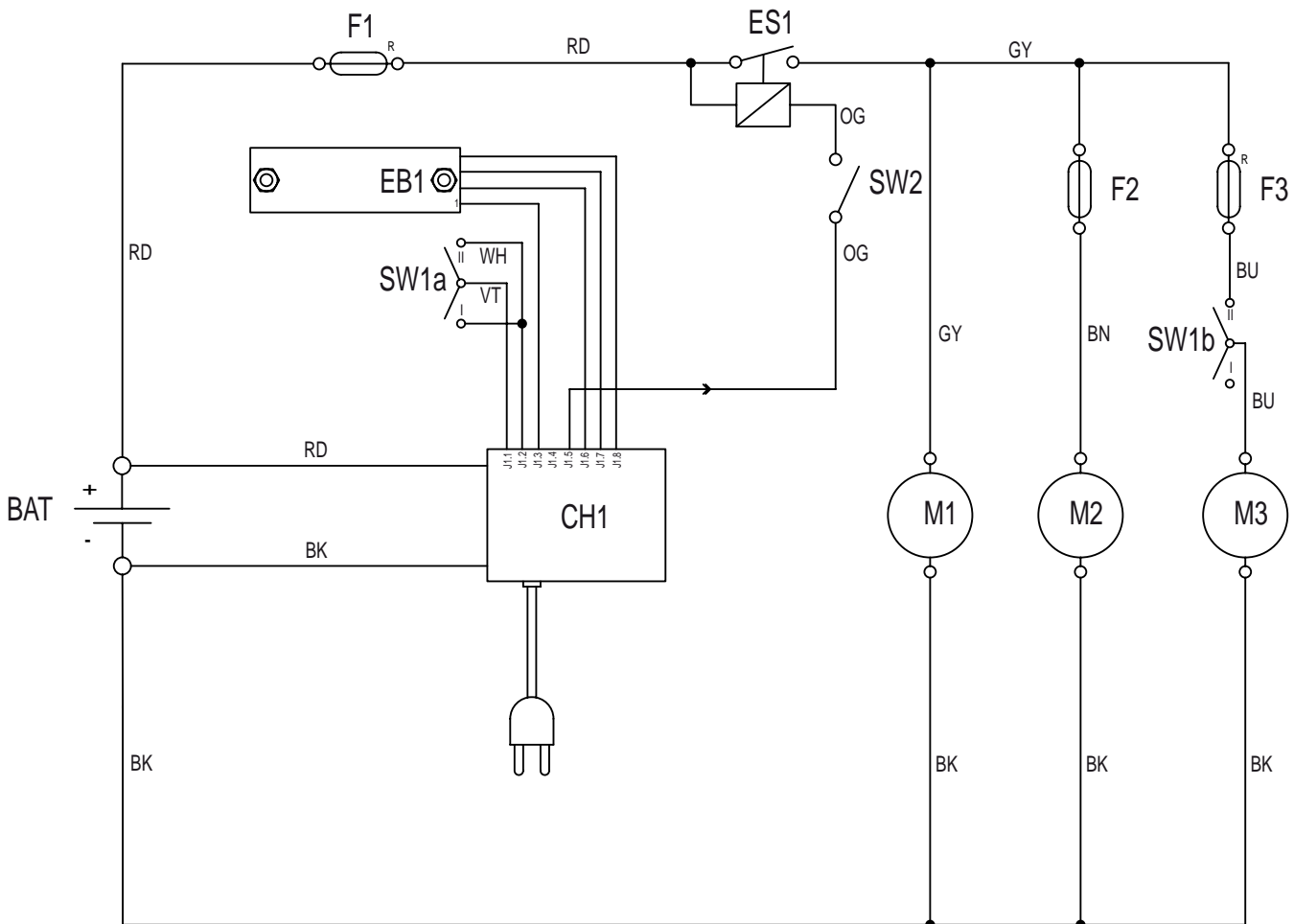


Item No.	Ref. No.	Qty	Description
1	145 9125 000	6	NUT HEX SELF LOCK M4
2	145 9141 000	6	SCREW HEX HD M4X16
3	145 9144 000	12	WASHER FLAT 4X9
4	145 9246 000	1	GROMMET
5	146 1804 000	1	FAN 12V
6	146 3055 000	1	CONVOYER
7	146 3125 000	1	SHEATH D.7 L.200
8	145 4508 000	4	WASHER
9	146 1141 000	4	RIVET
10	146 3076 000	1	FILTER FRAME
11	146 3077 000	1	GASKET
12	1463161000	1	POLYESTER FILTER



Item No.	Ref. No.	Qty	Description
1	xxxxxxx	4	SCREW PAN HD 4.6X19.2 (CONTROL PANEL KIT)
2	146 3069 000	1	REAR BONNET
3	xxx xxxx xxx	1	CONTROL PANEL (CONTROL PANEL KIT)
4	xxx xxxx xxx	1	CONTROL PANEL GASKET (CONTROL PANEL KIT)
5	xxx xxxx xxx	1	ELECTRONIC CARD (CONTROL PANEL KIT)
6	xxx xxxx xxx	1	DECAL CONTROL PANEL (CONTROL PANEL KIT)
7	xxx xxxx xxx	2	SCREW M3X6 (CONTROL PANEL KIT)
8	xxxxxxxxx	1	SWITCH 3 POSITIONS (CONTROL PANEL KIT)
9	146 3123 000	1	CONTROL PANEL KIT (1,3,4,5,6,7,8)

WIRING DIAGRAM
TERRA 28B
146 3089 000 - Rev.A



COMPONENTS	
BAT	12V Battery
CH1	Batt. charger / Function controller
EB1	LED board
ES1	Relais
F1	Main circuit breaker
F2	Fan fuse
F3	Side brush circuit breaker
M1	Main motor
M2	Fan
M3	Side brush motor
SW1	Switch

Ref. No.	Qty	Description
WEAR PARTS		
1463166000	1	KIT, SKIRTS
146 3035 000	1	SIDE BROOM Ø315 PPL 0,5
1463202000	1	MAIN BROOM D.200 PPL 0,6 BL
146 3027 000	1	BELT
ORDINARY MAINTENANCE		
1463161000	1	POLYESTER FILTER
146 3009 000	1	BELT
146 3008 000	1	BELT
EXTRAORDINARY MAINTENANCE		
146 2995 000	1	WHEEL BLACK
146 1804 000	1	FAN 12V
909 5706 000	1	FUSE 30A
146 3051 000	1	BATTERY CHARGER 12V 6Ah
00190083	1	BATTERY 12V 77AH GEL
146 3113 000	1	RELAIS 12V 70A TYCO
146 3090 000	1	FUSE 5A
146 3123 000	1	KIT CONTROL PANEL
146 3003 000	1	ELECTRIC MOTOR 12V 200W
145 9679 000	1	MICROSWITCH
146 3028 000	1	REDUCTION GEAR MOTOR
ACCESSORIES / OPTIONS		
146 3036 000	1	SIDE BROOM Ø315 (CARPET)
1463171000	1	KIT CARPET
1463167000	1	KIT NO MARKING SKIRTS



Nilfisk-Advance, Inc.

14600 21st Avenue North
Plymouth, MN, 55447-3408
www.nilfisk-advance.com

Phone: 800-989-2235

Fax: 800-989-6566

©2006 Nilfisk-Advance, Inc.,

Plymouth, MN 55447-3408

Printed in Italy