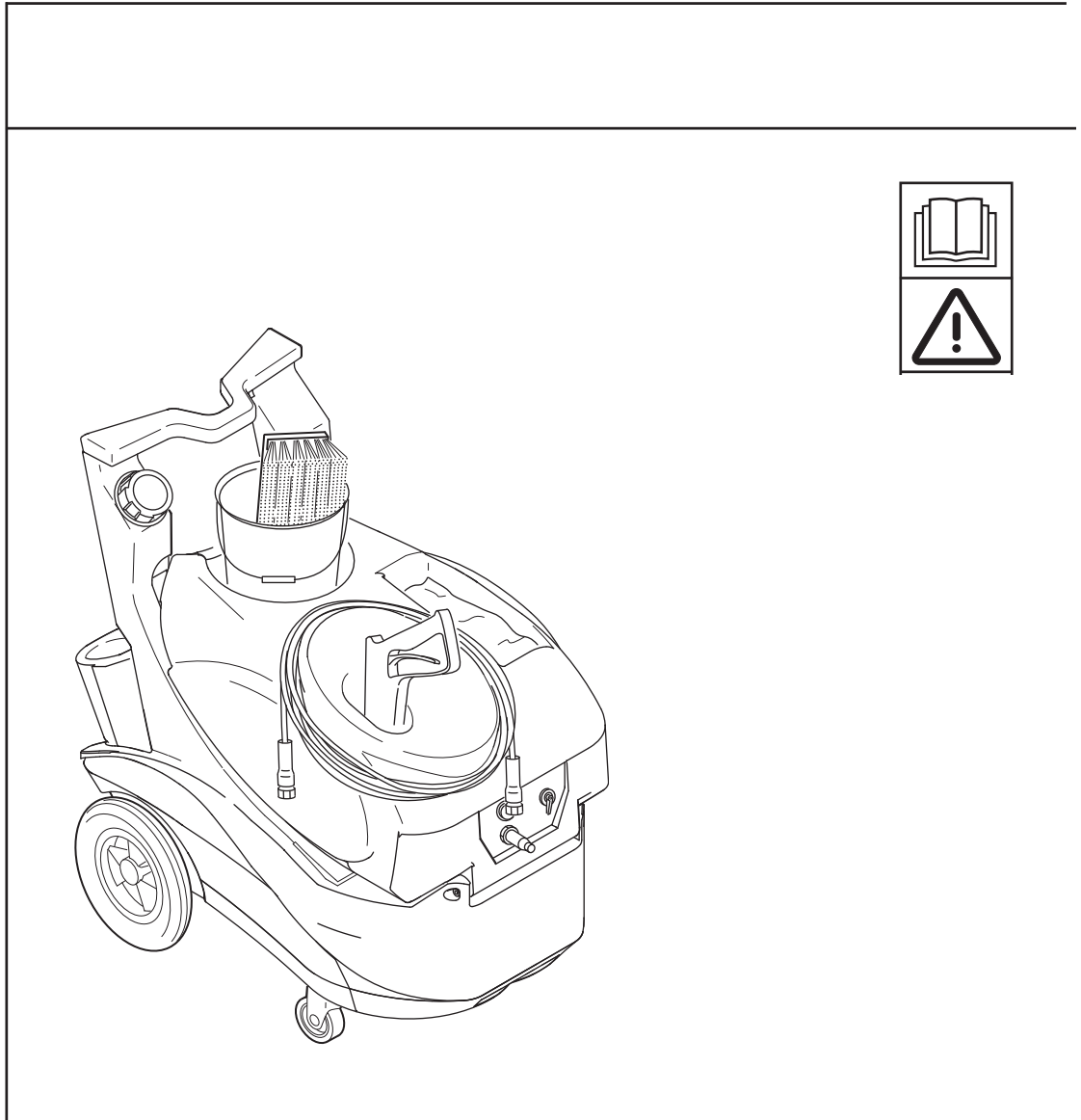


# MICRO CLEANER



**OPERATOR MANUAL**  
Advance MODEL 56380771



---

## IMPORTANT SAFETY INSTRUCTIONS

This machine is only suitable for commercial use, for example, in hotels, schools, hospitals, factories, shops, and offices other than normal residential housekeeping purposes.

When using an electrical appliance, basic precautions should always be followed, including the following:  
**READ ALL INSTRUCTIONS BEFORE USING THIS MACHINE.**

### **WARNING**

To reduce the risk of fire, electric shock, or injury:

- Always use the power cord that comes with the machine and includes a GFCI (Ground Fault Circuit Interrupter). Never use the machine without connecting to power through a GFCI.
- Do not leave the machine when it is plugged in. Unplug the unit from the outlet when not in use and before servicing.
- To avoid electric shock, do not expose to rain or snow. Store and use indoors.
- Always use chemicals with a pH between 4 and 12, and never introduce the chemicals in the tank. Always use the chemical siphoning system.
- Do not allow to be used as a toy. Close attention is necessary when used near children.
- Use only as described in this manual. Use only the manufacturer's recommended attachments.
- Do not use with a damaged cord or plug. If the appliance is not working as it should, has been dropped, damaged, left outdoors, or dropped into water, return it to a service center.
- Do not pull by the cord, use the cord as a handle, damage the cord, or allow the cord or the machine near heated surfaces.
- Do not unplug by pulling on the cord. To unplug, grasp the cord end.
- Do not handle the plug, the cord, or the machine with wet hands.
- Do not put any objects into openings. Do not use with any opening blocked; keep free of dust, lint, hair, and anything that may reduce air flow.
- Keep loose clothing, hair, fingers, and all parts of your body away from the openings and moving parts.
- Turn off all controls before unplugging.
- Use extra care when cleaning on stairs.
- Liquid ejected at the spray nozzle could be dangerous as a result of its temperature, pressure, or chemical content.

**SAVE THESE INSTRUCTIONS**

---

## INTRODUCTION

This manual will help you to get the most from your Nilfisk-Advance Micro Cleaner. Read it thoroughly before operating the machine.

This product is intended for commercial use only.

## PARTS AND SERVICE

Repairs, when required, should be performed by Nilfisk-Advance service personnel using original replacement parts and accessories. Call Nilfisk-Advance for repair parts or service.

Please specify the Model and Serial number when calling about your machine.

## NAME PLATE

The model and serial number of your machine are shown on the Name Plate on the machine.

This information is needed when ordering parts for the machine.

Use the space below to note the model and serial numbers of your machine.

MODEL NUMBER/NAME: \_\_\_\_\_

SERIAL NUMBER: \_\_\_\_\_

NAME AND PHONE NUMBER OF YOUR DISTRIBUTOR: \_\_\_\_\_

## UNPACKING

When the machine arrives, carefully inspect the shipping carton and the machine for damage. If damage is evident, save the shipping carton so that it can be inspected by the carrier.

Contact the Nilfisk-Advance customer service department immediately to file a freight damage claim.

## DO NOT OPERATE THE MACHINE UNTIL YOU HAVE READ THIS SECTION IMPROPER USE WILL VOID THE WARRANTY

- To keep fittings, pumps, and lines from damage during freezing conditions, use RV anti-freeze in the pump or keep the machine inside heated areas.
- Do not let the pump run dry.
- All chemicals should be added through the feed system and NOT in the tank.
- All extension cords must have a rating of at least 12/3 (12 gauge cord). Extension cords should be no longer than 50 feet. Replace the plug immediately if the ground prong becomes damaged or is broken off.
- DO NOT use water heated to greater than 120 °F (49 °C).

## KNOW YOUR MACHINE DESCRIPTIONS

**Operator Handle (1):** Operator holds onto this handle to move the machine from one location to another.

**Solution Tank Lid (2):** This lid screws off so the tank can be filled. The solution fill hose is tethered to the lid, and hangs inside the arm of the Operator Handle.

**Component Cover (3):** This covers protects the electrical components and it holds the tools and accessories used to clean an area..

**Spray Hose (4):** This hose delivers water from the machine to the cleaning tool.

**Drain Valve (5):** This valve is located just underneath the front of the solution tank. Open the valve when the machine is positioned over a drain to empty the holding tank.

**Quick Disconnect (6):** Point of attachment for the Spray Hose (5).

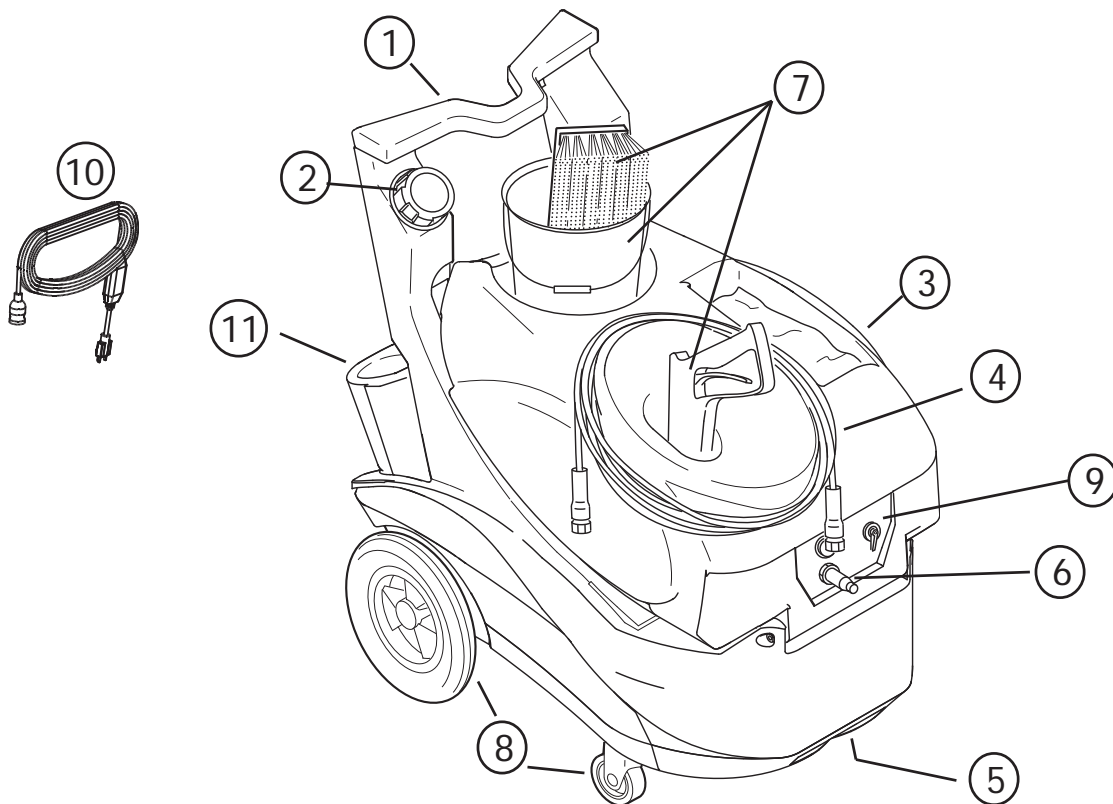
**Accessories (7):** Various accessories can be stored on the machine.

**Castors and Wheels (8):** Castors pivot for ease of steering, and large back wheels make it easy to roll the machine from location to location.

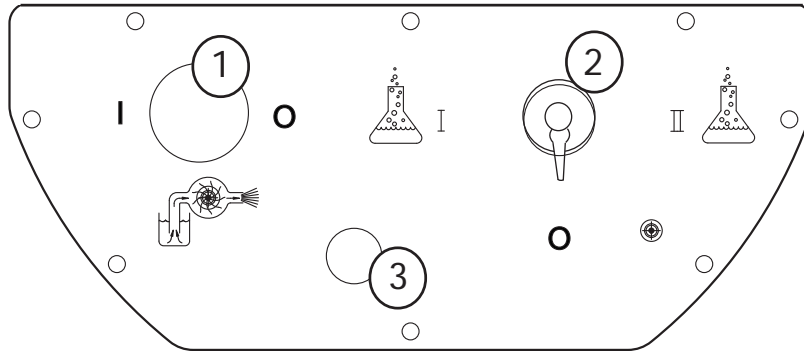
**Switch Plate (9):** The machine's on/off switches for the vacuum and for the pump are located here and this is where the valve to change chemical feeds is located.

**Power Cord (10):** The 25 ft. power cord connects to a power cord pigtail on the rear of the machine.

**Chemical Container Holders (11):** Two molded-in bottle holders for standard chemical jugs. The chemical feed lines pick up the chemicals here.



## KNOW YOUR SWITCH PLATE



**Solution Pump Switch (1):** turns the solution pump on/off

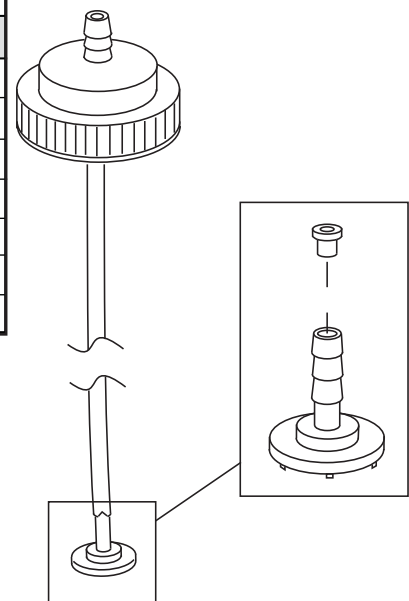
**Chemical Valve (2):** switches between the two chemical containers. When the selector is pointed straight down, the valve is off and neither chemical is selected. When the selector is pointed directly towards one or the other symbols, that chemical is selected.

**Quick Connect (3):** this is where solution comes out of the machine and the attachment point for the solution hose.

## METERING TIPS

The metering tips allow you to select the ratio of chemical to water, as the water flows out of the machine. Insert the correct metering tip for the desired mixture into the chemical feed tubes.

METERING TIPS			
COLOR	HOLE SIZE	MIX RATIO	FLOW RATE
Orange	0.007	1 oz : 128 oz	1.0 oz/gal
Pink	0.012	1 oz : 64 oz	2.5 oz/gal
Dark Green	0.014	1 oz : 50 oz	3.0 oz/gal
Yellow	0.016	1 oz : 32 oz	5.0 oz/gal
Light Blue	0.020	1 oz : 20 oz	6.0 oz/gal
Burgundy	0.022	1 oz : 15 oz	9.0 oz/gal
Black	0.048	1 oz : 5 oz	20 oz/gal



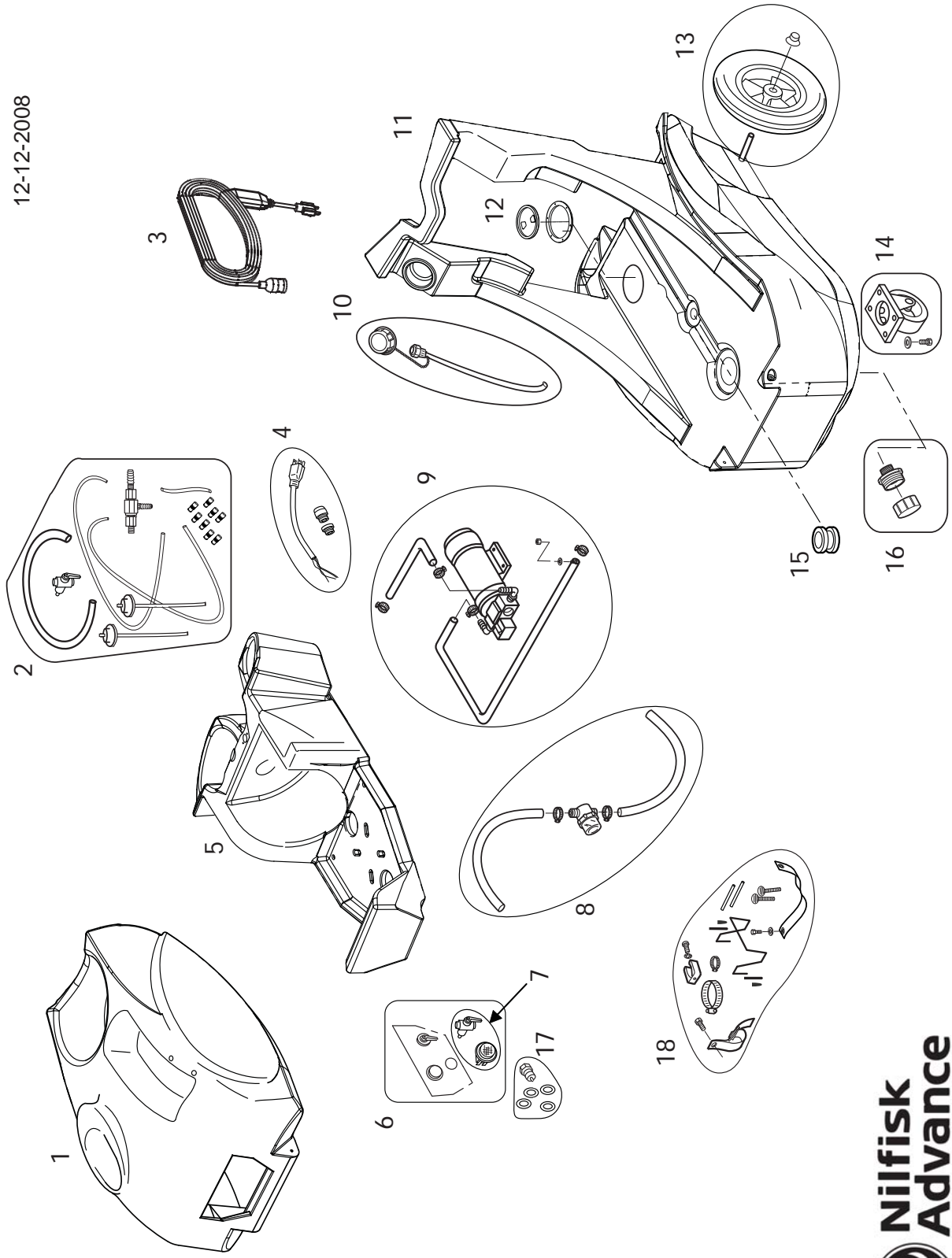
---

## OPERATION

- 1) Insert the appropriate metering tips into the chemical feed lines. (See illustration, page 5)
- 2) Fill the holding tank with warm water (not exceeding 120 °F). **Do not** add any chemical to the tank.
- 3) Fold and store clean micro fiber mop heads in the rectangular storage location on the machine lid.
- 3) Prepare the area for cleaning by emptying waste receptacles, clearing debris, removing paper products, blowing out vents, and sweeping floors.
- 4) Connect the 25 ft power cord to the pig-tail on the rear of the machine. Test the GFCI on the power cord before each use. Plug the GFCI protected power cord into an outlet.
- 5) **PRIME THE PUMP:** The solution pump on your Micro Cleaner is self-priming.
- 6) Attach the spray gun to one end of the solution hose and attach the other end of the hose to the quick disconnect on the switch plate.
- 7) Place chemicals in the molded-in chemical bottle containers on the rear of the machine. Insert one of the feed lines into one of the chemical containers. Secure the line by screwing on the cap. The chemical will feed from whichever container the selector valve on the switch plate is turned towards and when the gun is used in the low pressure setting.
- 8) Set the spray gun to low pressure by sliding the pressure selector forward (low pressure = forward; high pressure = back).
- 9) Turn on the pump switch (push button) and spray through the gun for a few seconds to fill the line with solution.
- 10) Apply the chemical to the walls and fixtures from the bottom up. Spray the floor last as you work your way out of the room.
- 11) Allow the chemical to work for the proper amount of dwell time, according to the chemical manufacturer's directions. Agitate heavily soiled areas with a scrub brush or micro fiber mop.
- 12) Turn off the chemical injector valve by turning the selector to the down position.
- 13) Set the spray gun to high pressure and rinse the area from the top down.
- 14) Squeegee off the mirrors, pick up the liquid off the floor with the floor tool. If you have the optional blow dry hose, use it to dry the fixtures.
- 15) Push excess solution into a floor drain using the squeegee or micro fiber mop. Use a clean micro fiber mop head to dry the floor surface. Place used micro fiber mop heads in bucket.

# 56380771

12-12-2008



---

## **PART LIST**

1	56380861	1	Component cover and accessory holder
2	56380782	1	Hose kit, water and chemical metering
3	56380774	1	Power cord, 25 ft, with GFCI
4	56380783	1	Power cord pigtail with cord retainer
5	56380839	1	Pallet, component mounting, empty *
6	56380842	1	Switch plate kit, complete
7	56380848	1	Switch kit, two switches
8	56380758	1	Filter, pump in-line, with hoses
9	56380859	1	Pump, 150 psi, complete with hoses
10	56380793	1	Lid, holding tank, with fill hose
11	56380860	1	Holding tank/base
12	56380841	1	Lid and ring, 4"
13	56380799	1	Wheel kit, 10"
14	56380798	1	Castor kit, 4"
15	56380892	1	Grommet, for pump inlet hose opening
16	56380796	1	Drain, cap and fitting
17	56380787	1	Quick disconnect kit, with washers
18	56380794	1	Fasteners

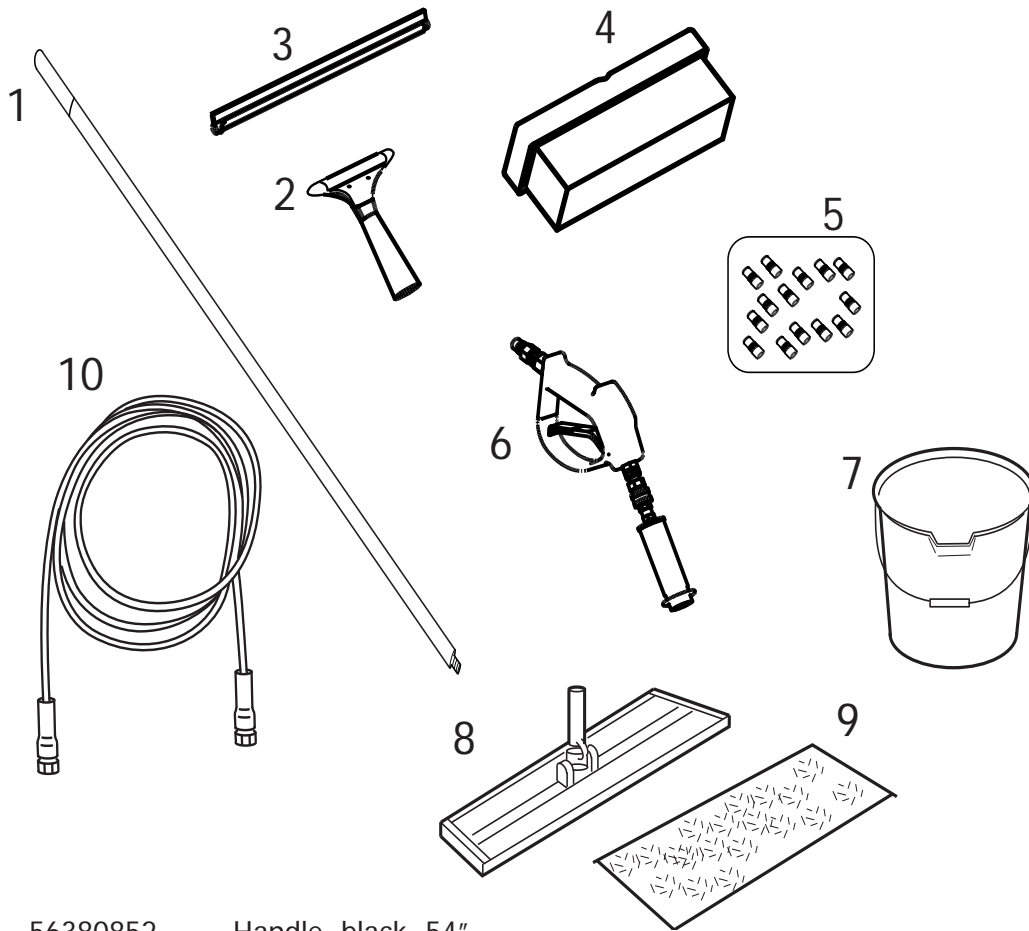
## **MISCELLANEOUS PARTS**

56380837	Label kit, "Micro Cleaner" & warning
*56380869	Pallet assembly with components, complete

## TOOLS

56380845

Tool Kit, Micro Cleaner



1	56380852	Handle, black, 54"
2	56380853	Handle, 12", for hand squeegee
3	56380854	Squeegee, hand-held, 12"
4	56380855	Brush, dual surface, polypropylene
5	56380802	Metering tip kit, two each of seven sizes
6	56108072	Spray gun, complete
7	56380865	Bucket, 10 qt
8	56380856	Frame, mop
9	56380801	Mop, microfiber, one
10	56380804	Solution hose, 15 ft

## OPTIONAL ACCESSORIES

56380838	Solution hose, 25 ft
56380857	Mop, microfiber, package of six

## MAINTENANCE

- 1) Use only approved chemicals at the recommended mix ratios. All chemicals should be added through the feed system and NOT added directly to the water in the solution tank to prevent possible damage to the pump, seals, or other components.
- 2) For optimum performance, flush the Chemical Feed lines after every job by replacing the chemical containers with containers of clear water and spraying through the gun until the fluid stream is clear. See the Maintenance Schedule, below.
- 3) If the 4", clear lid is removed from the top of the base (solution tank), you will need to apply a silicone sealant to the threads when you reinstall the lid.

MAINTENANCE SCHEDULE			
ITEM	DAILY	WEEKLY	QUARTERLY
Flush Chemical Lines	X		
Clean Solution Filter		X	
Check Pump for Leaks			X

## TECHNICAL SPECIFICATIONS

Tank constructions:	Rotationally molded polyethylene
Solution tank capacity:	20 gallon
Application flow:	150 psi
Solution hose length:	15 feet
Power cord:	25 feet
Height:	38.5 inches
Width:	21.25 inches
Length:	34 inches
Machine weight:	68 lbs

---

**NOTES**



Nilfisk-Advance, Inc.  
14600 21st Avenue North  
Plymouth, MN 55447-3408  
[www.nilfisk-advance.com](http://www.nilfisk-advance.com)  
Phone: 800-989-2235  
Fax: 800-989-6566  
Printed in the U.S.A