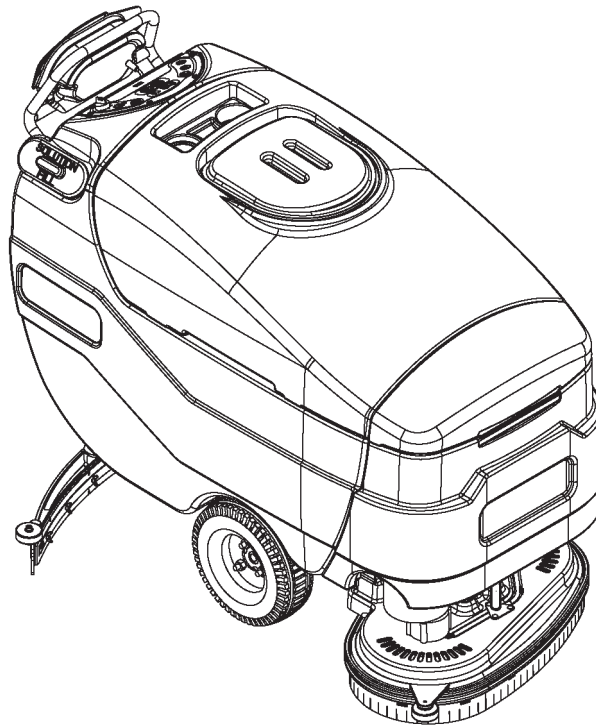


Warrior ST™, Warrior™ AXP

BA 755 series



PARTS LIST

**Advance Models: 56315036(28D), 56315037(32D), 56315038(28C)
56315039(32C-C), 56315040(X28D-C), 56315041(X32D-C)
56315538(28D-C), 56315539(32D-C), 56315540(28C-C),
56315541(X28C-C), 56315542(X32C-C)**
**Nilfisk Models: 56315042(755), 56315043(755C), 56315044(855)
56315045(755X), 56315046(755CX), 56315047(855X)**



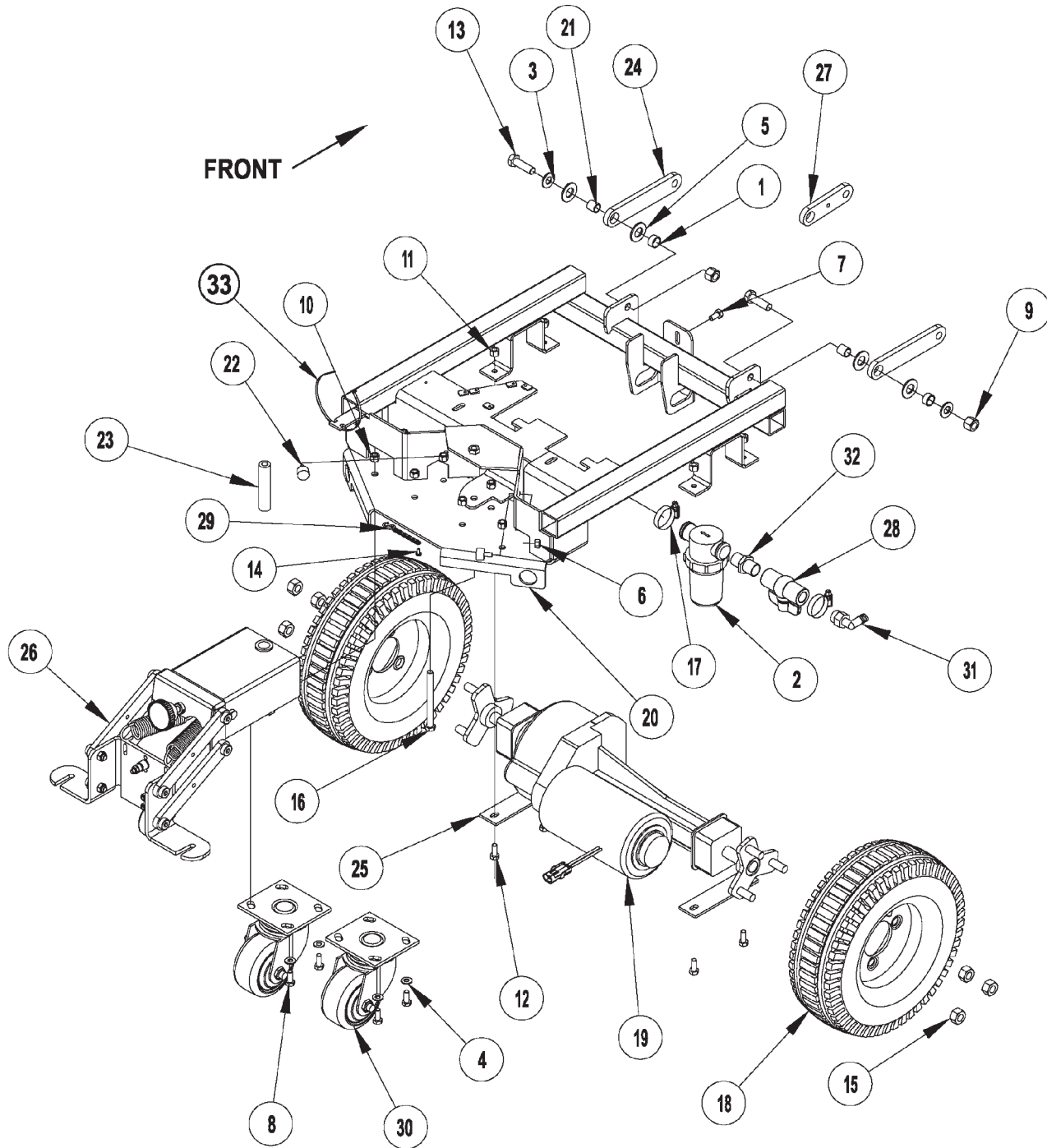
**Nilfisk
Advance**
setting standards

DESCRIPTION	PAGE
Chassis System	2-3
Chassis System (Squeegee Linkage Assembly)	4-5
Decal System.....	6-7
Recovery System.....	8-9
Scrub System-Disk	10-11
Scrub System-Cylindrical.....	12-13
Solution / Electrical System-1 (AXP™ / ECO+Solution™)	14-15
Solution / Electrical System-2 (AXP™ / ECO+Solution™)	16-17
Solution / Electrical System-1 (STD)	18-19
Solution / Electrical System-2 (STD)	20-21
Chemical Assembly (AXP™ / ECO+Solution™).....	22-23
Paddle Assembly	24-25
Squeegee Assembly	26-27
Wiring Diagram	28-29
Optional Kits & Accessories.....	30
Brush Selector Guide-Disk	31
Brush Selector Guide-Cylindrical	32
Extended Scrub Kit.....	34-35
Squeegee Wand Kit.....	36-37
Battery Charger Kits	38-39
Battery Watering Kit.....	40-41
Electromagnetic Brake Kit	42-43
Side Broom Kits	44-45
Optional Deck Kits	46-47

WHEN ORDERING PARTS

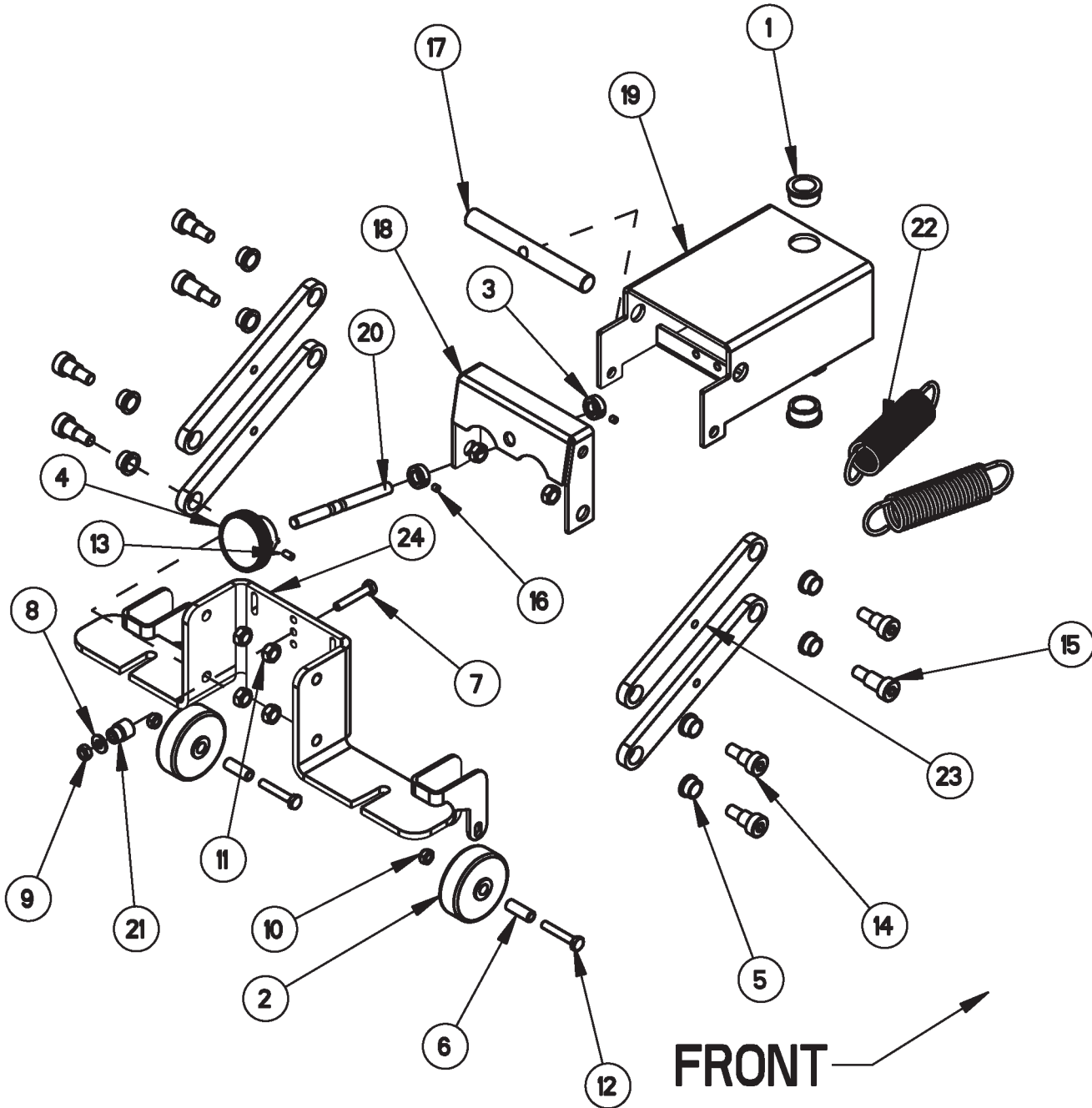
- * Use the 8 digit numbers from the "Ref. No." columns in this parts list.
- * Specify the model and serial number of the machine.
- * Use the space below to record the model and serial number for future reference.

Model _____ Serial No. _____

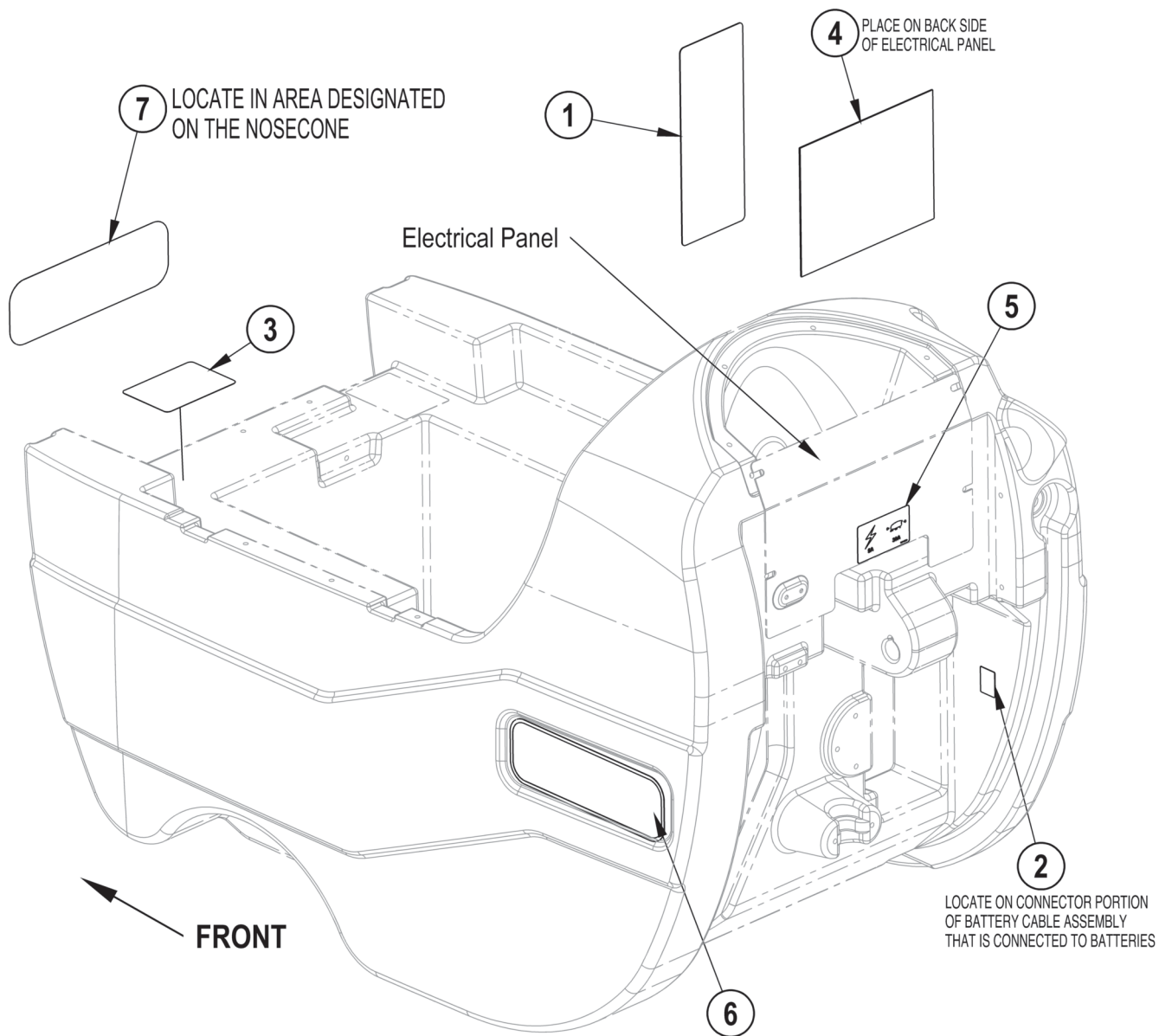


Item	Ref. No.	Qty	Description
1	56370878	2	Bearing, Sleeve
2	56412173	1	Solution Filter
3	56001879	2	Wsh, Flt SAE 1/2
4	56001939	10	Wsh, Flt SAE 5/16
5	56002022	4	Wsh, Flt SAE 5/8
6	56002708	2	Nut, Hex Nyl Loc 1/4-20
7	56002988	3	Scr, Hex SS 5/16-18 X .62
8	56003179	8	Scr, Hex Thd To Hd M8-1.25 X 20mm
9	56003312	2	Nut, Hex Nyl Loc M12-1.75
10	56003389	8	Nut, Hex Nyl Loc M8-1.25
11	56003405	4	Nut, Hex Nyl Loc SS M8-1.25
12	56003435	4	Scr, Hex SS M8-1.25 X 20mm
13	56003637	2	Scr, Hex M12-1.75 X 40mm
14	56009051	1	Scr, Pan Phil Thd Form 8-32 X .38
15	56009116	6	Nut, Hex Hvy 1/2-20
16	56009241	1	Scr, Hex 3/8-16 X 4.25
17	56131601	2	Clamp, Hose SAE #16
18	56315051	2	Wheel, Foam Filled (Grey) (All Advance models)
	56315642	2	Wheel, Foam Filled (Black) (All Nilfisk models)
19	56315063	1	Transaxle, 36v (M1)
*	56315676	1	Motor
*	56315677	4	Carbon Brush
*	56315678	2	Neoprene Mounting Sleeve
20	56315073	1	Weldment, Chassis
21	56315080	2	Bushing
22	56315111	2	Cylindrical Mount
23	56315154	1	Bushing, Spacer
24	56315179	2	Linkage Arm
25	56315202	2	Plate, Transaxle Mount
26	56315210	1	Assembly, Squeegee Linkage Large
27	56315239	1	Linkage Arm,
28	56315607	1	Ball Valve
29	56315691	1	Ground Chain
30	56365555	2	Caster Swivel 4.0x2.0
31	56409152	1	Barb, 90 Elbow 1/2 X 1/2npt
32	56412182	1	Nipple, Hex 3/4-14
33	56478523	1	Tie, Cable

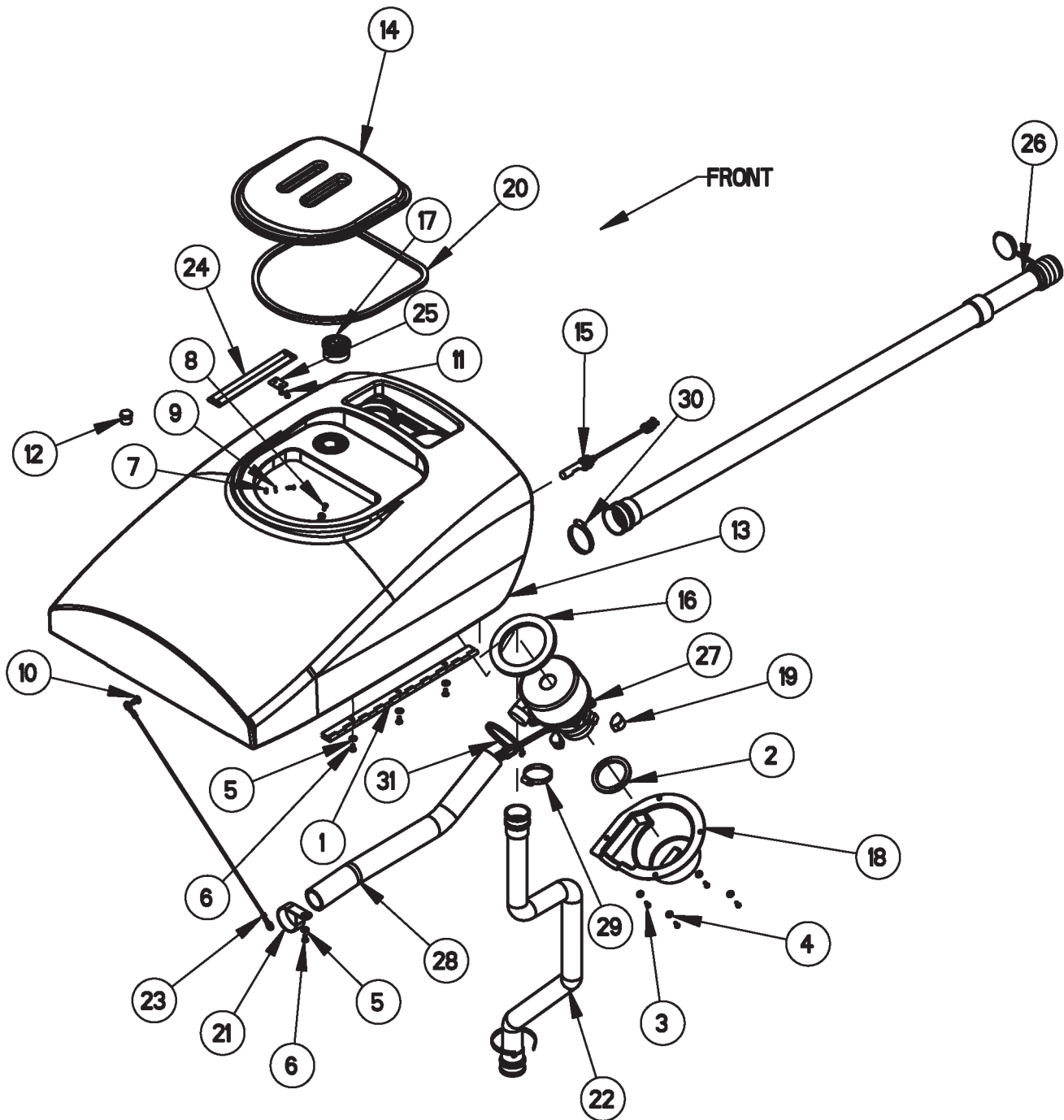
* = Not Shown



Item	Ref. No.	Qty	Description
	56315210	1	Squeegee Linkage Assembly
1	56185264	8	Bearing, Flange
2	56250414	2	Bearing, Flange
3	56324350	2	Wheel
4	56331076	2	Collar
5	56471220	2	Bushing
6	56475480	1	Knob
7	56001833	1	Scr, Hex 1/4-20 X 1.50
8	56002098	1	Wsh, Flt SAE 1/4
9	56002840	1	Nut, Hex Nyl Loc-Thin 1/4-20
10	56002850	2	Nut, Hex Nyl Loc-Thin SS 1/4-20
11	56002852	8	Nut, Hex Nyl Loc-Thin SS 3/8-16
12	56002901	2	Scr, Hex SS 1/4-20 X 1.50
13	56003123	1	Scr, Soc Set 10-2 4x .38
14	56003682	6	Scr, Soc Shd .50 X .50 X 3/8-16
15	56003692	2	Scr, Soc Shd .50 X .75 X 3/8-16
16	56009084	2	Scr, Soc Set Loc 10-24 X .19
17	56315082	1	Pin
18	56315180	1	Bracket, Squeegee Level
19	56315208	1	Weldment, Squeegee Large
20	56315240	1	Rod, Adjustment
21	56315245	1	Bushing, Squeegee Cable
22	56315295	2	Spring, Extension
23	56315338	4	Linkage Arm
24	56315698	1	Weldment, Squeegee Mount



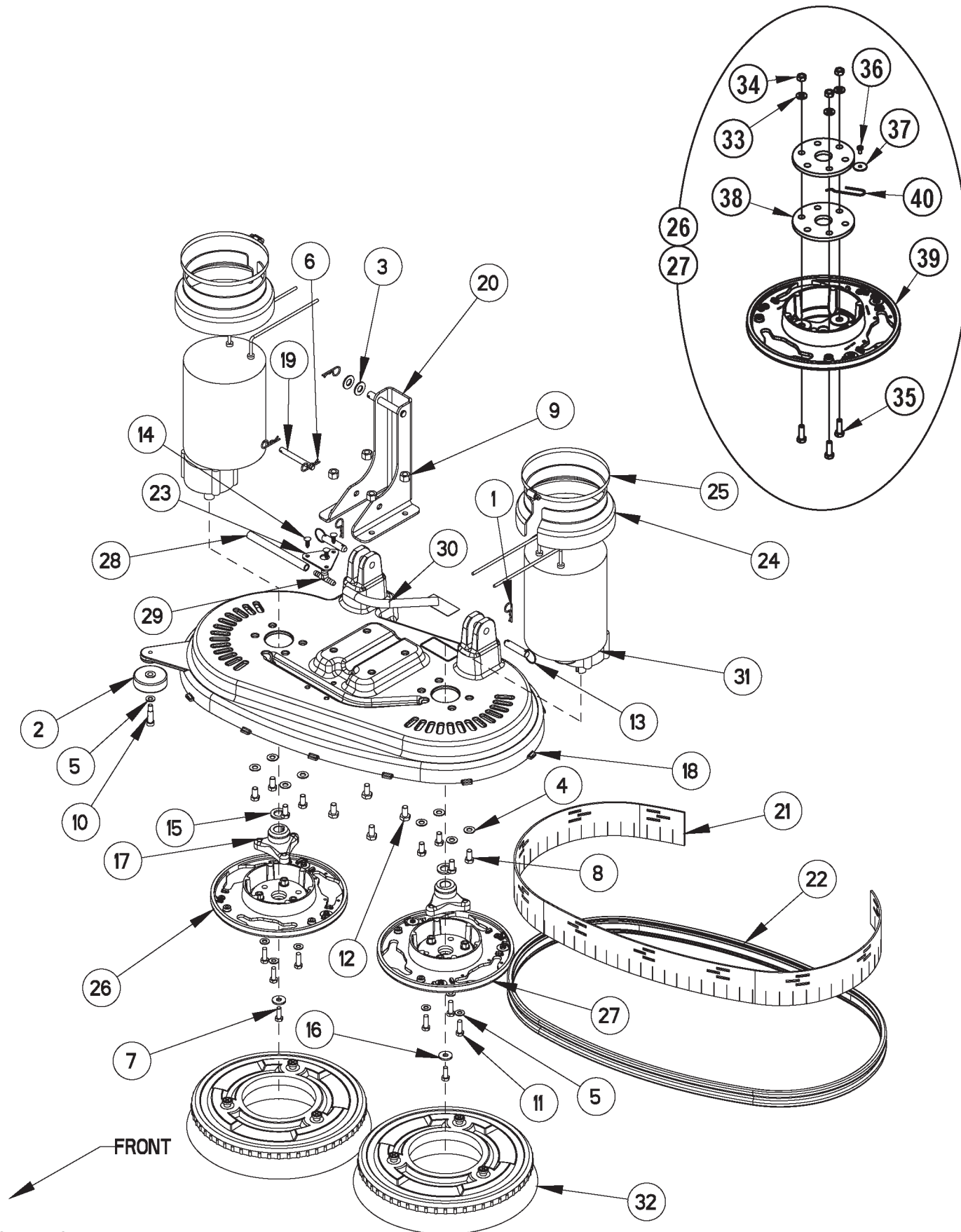
Item	Ref. No.	Qty	Description
1	56014601	1	Decal, Caution
2	56016324	1	Decal, Charger
3	56015259	1	Decal, Battery Wiring
4	56016691	1	Decal, Ladder Diagram
5	56016690	1	Decal, Circuit Breaker
6	56016726	2	Decal, Warrior AXP
	56016727	2	Decal, Warrior ST
	56016728	2	Decal, BA 755
	56016729	2	Decal, BA 855
	56016732	2	Decal, BA 755 X
	56016733	2	Decal, BA 855 X
7	56016730	1	Decal, Advance
	56016731	1	Decal, Nilfisk



Item	Ref. No.	Qty	Description
1	56315694	1	Hinge
2	56412154	1	Gasket, Vacuum Duct
3	56001993	4	Scr, Pan Phil 10-24 X .50
4	56002053	4	Wsh, Flt STD #10
5	56002098	4	Wsh, Flt SAE 1/4
6	56002145	4	Scr, Pan Phil 1/4-20 X .50
7	56002849	2	Nut, Hex Nyl Loc-Thin Ss 10-24
8	56002896	2	Scr, Pan Phil SS 10-24 X .62
9	56002919	2	Wsh, Flt STD SS #10
10	56003003	1	Scr, Pan Phil 5/16-18 X .62
11	56003633	2	Scr, Pan Phil SS Type B 10-16 X .50
12	56305464	1	Plug, 3/4 Hex Pipe
13	56315085	1	Tank, Recovery
14	56315093	1	Cover, Recovery Tank
15	56315096	1	Switch, Electromagnetic
16	56315098	1	Gasket
17	56315099	1	Screen, Fan Inlet
18	56315102	1	Shroud, Vac Motor
19	56315141	3	Mount, Vibration
20	56315220	1	Gasket, Recovery Lid
21	56315257	1	Clamp, P
22	56315268	1	Vac Hose Assy.
23	56315272	1	Cable Assy
24	56315303	2	Retaining, Strap
25	56315346	1	Plate
26	56315638	1	Drain Hose
27	56391208	1	Vac Motor Assy (M4)
*	56377001	1	Carbon Brush Set of 2
28	56410454	1	Hose, Vac 2.00
**	56315597	1	Sound Reduction Kit
29	56440213	1	Clamp, Hose SAE #32
30	56456797	1	Clamp, Hose SAE #36
31	56477613	2	Tie, Cable

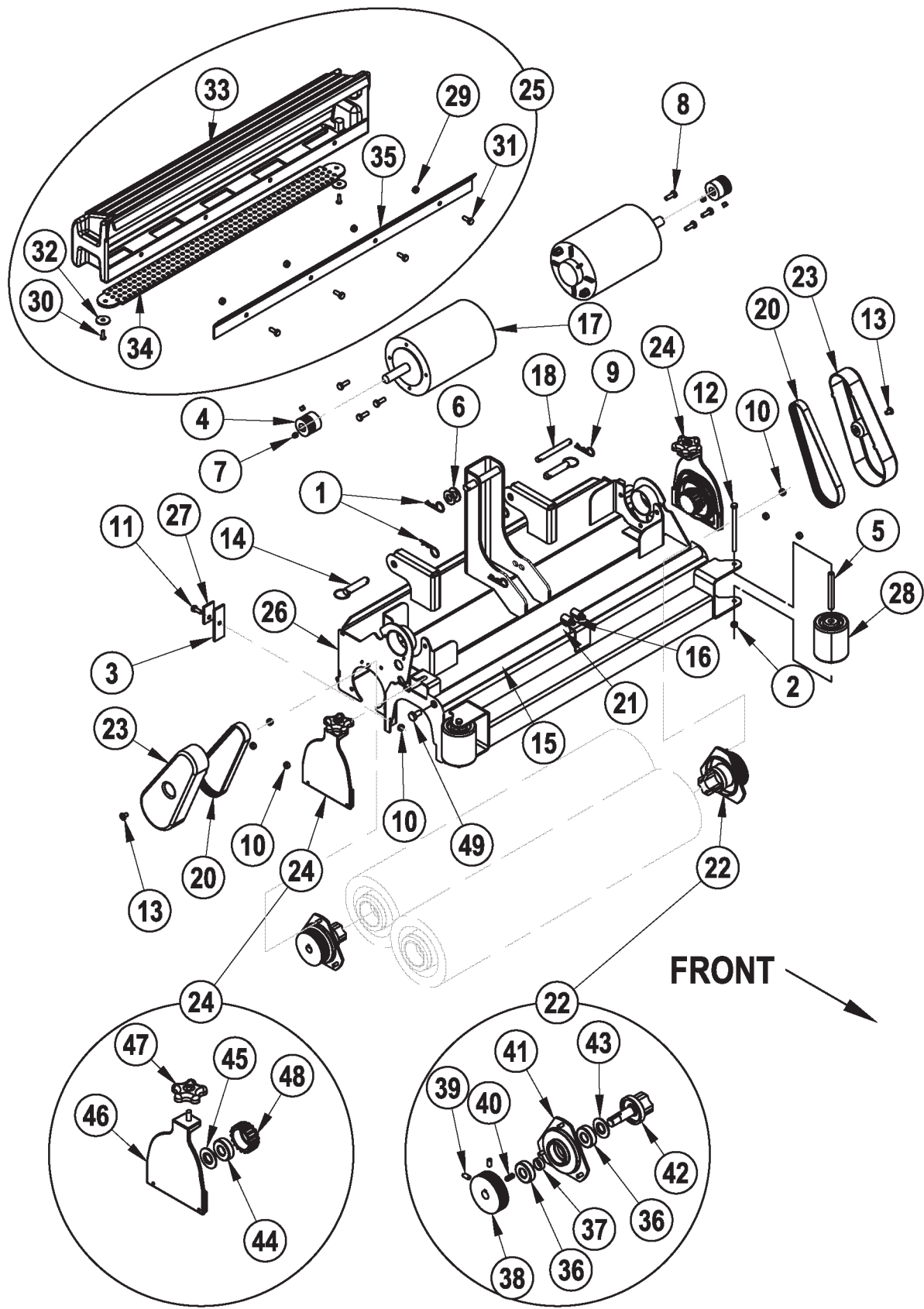
* = Not Shown

** = Optional (Not Included)



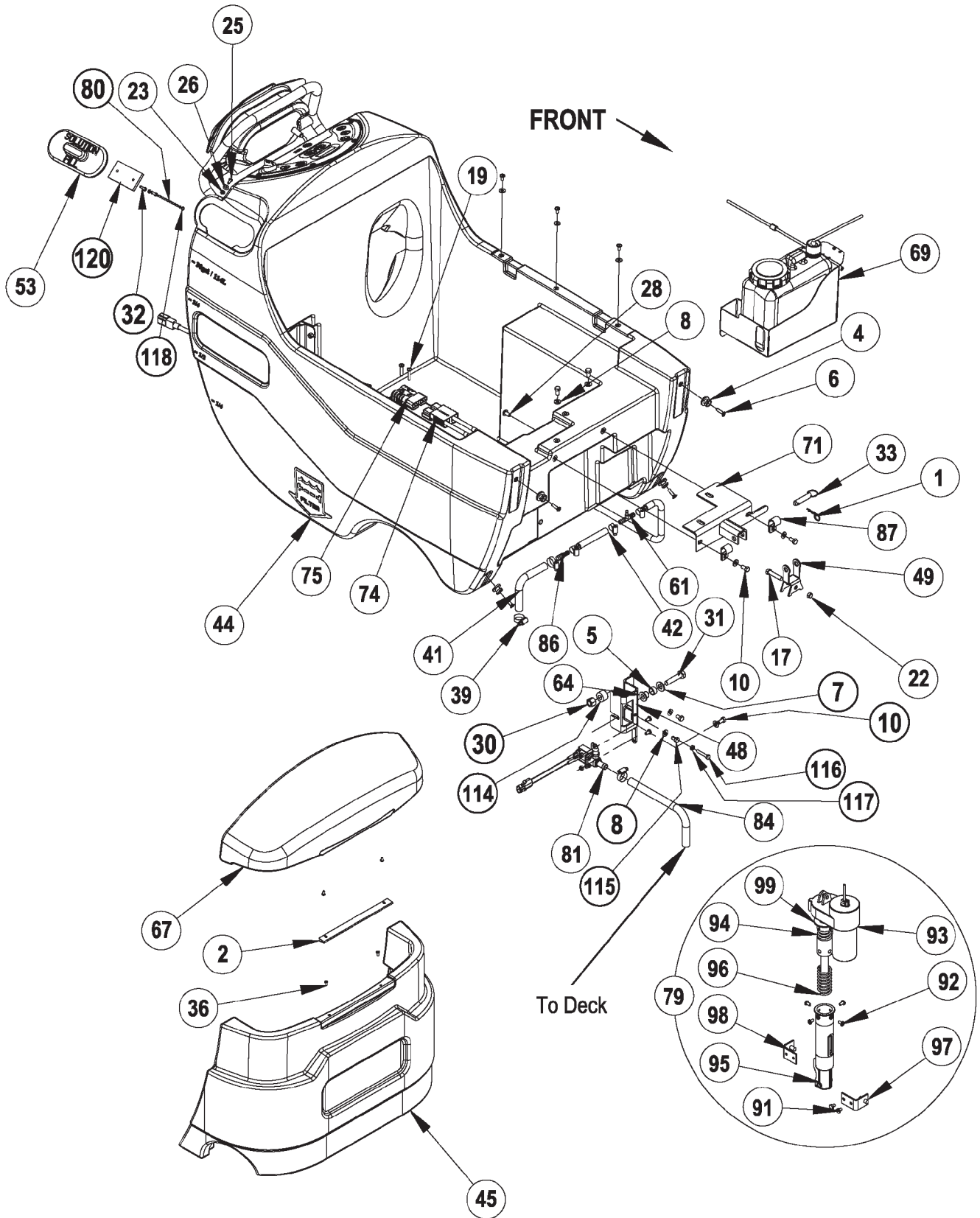
Item	Ref. No.	Qty	Description
1	56002959	3	Pin, Cotter Hair
2	56324350	1	Wheel
3	56001879	2	Wsh, Flt SAE 1/2
4	56002910	8	Wsh, Flt SAE SS 3/8
5	56002938	7	Wsh, Flt SAE SS 5/16
6	56003120	2	Pin, Cotter Hair .0915 X .375
7	56003335	2	Scr, Hex Loc SS 5/16-18 X .88
8	56003338	8	Scr, Hex Loc SS 3/8-16 X .75
9	56003438	4	Nut, Hex Nyl Loc SS M10-1.5
10	56003472	1	Scr, Soc Shd .38 X 1.00 X 5/16-18
11	56003477	6	Scr, Hex Loc SS M8-1 X 25mm
12	56003533	4	Scr, Hex SS M10-1.5 X 20mm
13	56003679	2	Pin, Ring .50 X 1.63
14	56003693	3	Rivet, Nylon Tree Push-In (.218)
15	56009022	2	Wsh, Flt .754 X 1.250 X .120
16	56009107	2	Wsh, Flt SS .378 X 1.000 X .120
17	56314031	2	Hub, Drive
18	56315053	1	Scrub Deck, Disc, Cast, (28")
	56315052	1	Scrub Deck, Disc, Cast, (32")
19	56315161	1	Pin
20	56315198	1	Weld't, Actuator Bracket
21	56315274	1	Skirt, Rubber (28")
	56315626	1	Skirt, Rubber (32")
22	56315318	1	Bumper, Extruded (28")
	56315627	1	Bumper, Extruded (32")
23	56315339	1	Bracket
24	56315648	2	Shroud, Motor
25	56355488	2	Clamp, Hose SAE #96
26	56396080	1	Lug, Counterclockwise (33-40)
27	56396081	1	Lug, Clockwise (33-40)
28	56396195	1	Hose, PVC .38id X 6.00
29	56397300	1	Tee, Barb
30	56397301	1	Hose, PVC .375
31	56397316	2	Motor / Gear Unit Assembly 36v (M2 / M3)
*	56397139	4	Carbon Brush
*	56397138	4	Brush Spring
32	NA	NA	See Brush Selector Guide
33	56002938	3	Wsh, Flt SAE SS 5/16
34	56003405	3	Nut, Hex Nyl Loc SS M8-1.25
35	56003436	3	Scr, Hex Hd SS M8-1.25 x 25mm
36	56009030	1	Scr, Pan Phil Thd Form 10-24 x .38
37	56009096	1	Wsh, Flt .193 x .875 x .060
38	56407053	2	Thermoid Disk
39	56314030	1	Brush Holder
40	56397081	1	Spring Retainer

* = Not Shown



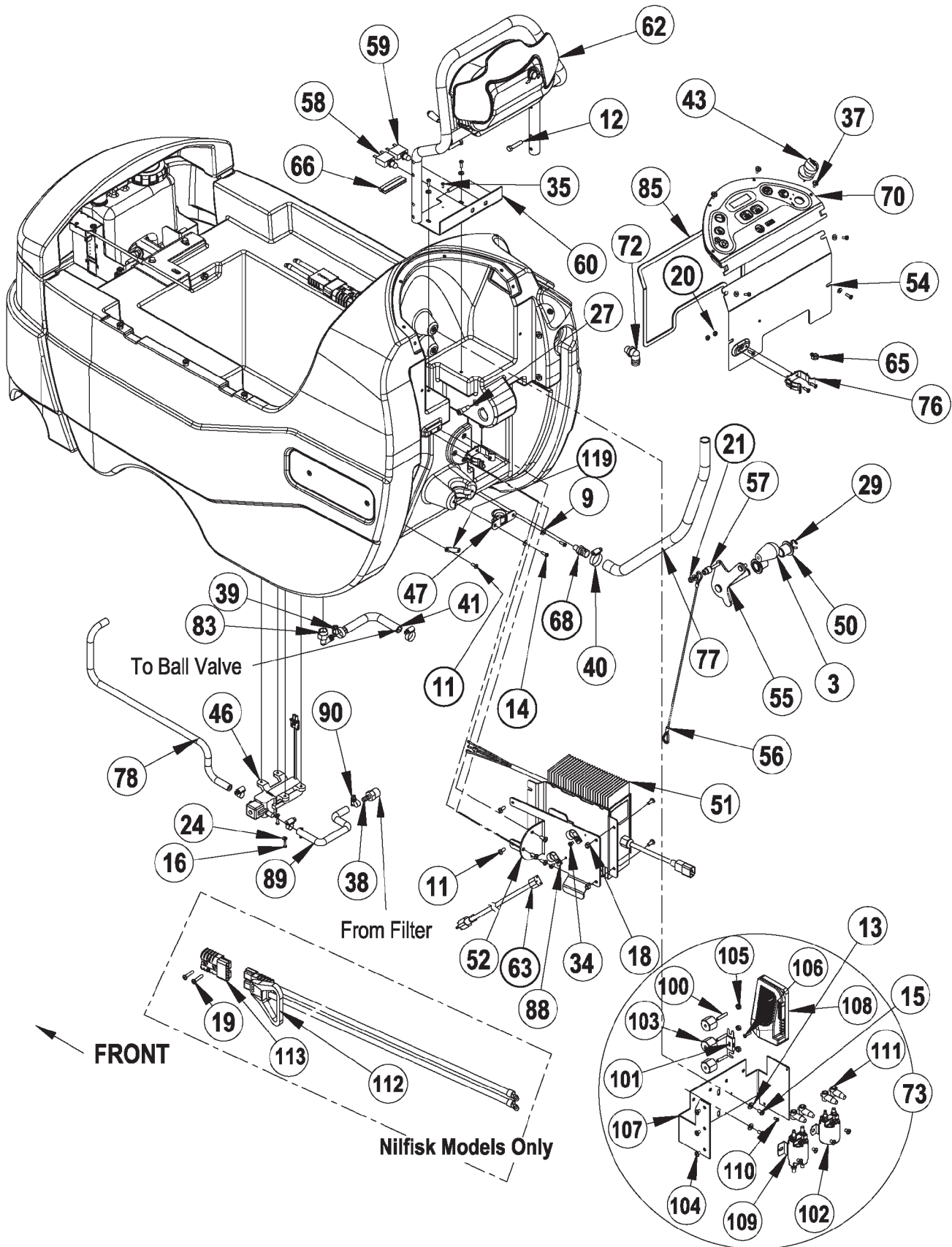
Item	Ref. No.	Qty	Description
1	56002959	3	Pin, Cotter Hair
2	56003403	2	Nut, Hex Nyl Loc M6-1.00
3	56407391	2	Blade
4	56407433	2	Sheave, Poly-V
5	56412176	2	Bushing
6	56001879	6	Wsh, Flt SAE 1/2
7	56002086	4	Scr, Soc Set Loc 5/16-18x.25
8	56002948	6	Scr, Hex Hd Loc 1/4-20x.75
9	56003120	2	Pin, Cotter Hair .0915 X .375
10	56003426	8	Nut, Hex Nyl Loc SS M6x1.0
11	56003431	2	Scr, Hex Hd SS M6-1.0x16mm
12	56003492	2	Scr, Hex M6-1.0x95mm
13	56003603	2	Scr, Pan Phil Thd Form 1/4-20x.38
14	56003679	2	Pin, Ring .50 X 1.63
15	56315355	2	Manifold, PVC (28")
	56315647	2	Manifold, PVC (32")
16	56219932	2	Clamp, Hose SAE #6
17	56315611	2	Motor, 36 Vdc, .75 Hp, 1800 RPM (M2 / M3)
*	56412287	1	Brush / Spring Kit
18	56315161	1	Pin
19	56315320	2	Harness, Brush (Not Shown)
20	56315321	2	Belt, Auto Tension
21	56262549	1	Tee, Barb
22	56315408	2	Drive End Assy (#36-43)
23	56315445	2	Cover, Belt
24	56315448	2	Idler End Assy (#44-48)
25	56315459	1	Hopper Assembly (28" / #29-35)
	56315616	1	Hopper Assembly (32" / #29-35)
26	56315470	1	Housing, Weld't (28")
	56315620	1	Housing, Weld't (32")
27	56410214	2	Strap
28	56412459	2	Wheel
29	56003426	4	Nut, Hex Nyl Loc SS M6-1.00
30	56002896	2	Scr, Pan Phil SS 10-24 x .62
31	56003431	4	Scr, Hex Hd SS M6-1.00 x 16mm
32	56009060	2	Wsh, Flt SS .260 x 1.00 x .074
33	56315460	1	Hopper (28")
	56315621	1	Hopper (32")
34	56315464	1	Hopper Screen (28")
	56315618	1	Hopper Screen (32")
35	56315467	1	Hopper Bracket (28")
	56315617	1	Hopper Bracket (32")
36	56106070	2	Bearing, Ball
37	56407389	1	Spacer
38	56407442	1	Sheave, Poly-V
39	56002119	2	Scr, Soc Set Loc 1/4-20 x .50
40	56003237	1	Key, Sq., 19 x .62
41	56315405	1	Bearing Plate
42	56407557	1	Spindle
43	56407558	1	Washer, Bearing
44	56106070	1	Bearing, Ball
45	56407558	1	Washer, Bearing
46	56315447	1	Idler Bearing Plate
47	56396254	1	Knob
48	56407551	1	Hub
49	56002992	2	Scr, Hex SS 5/16-18 x .50

* = Not Shown



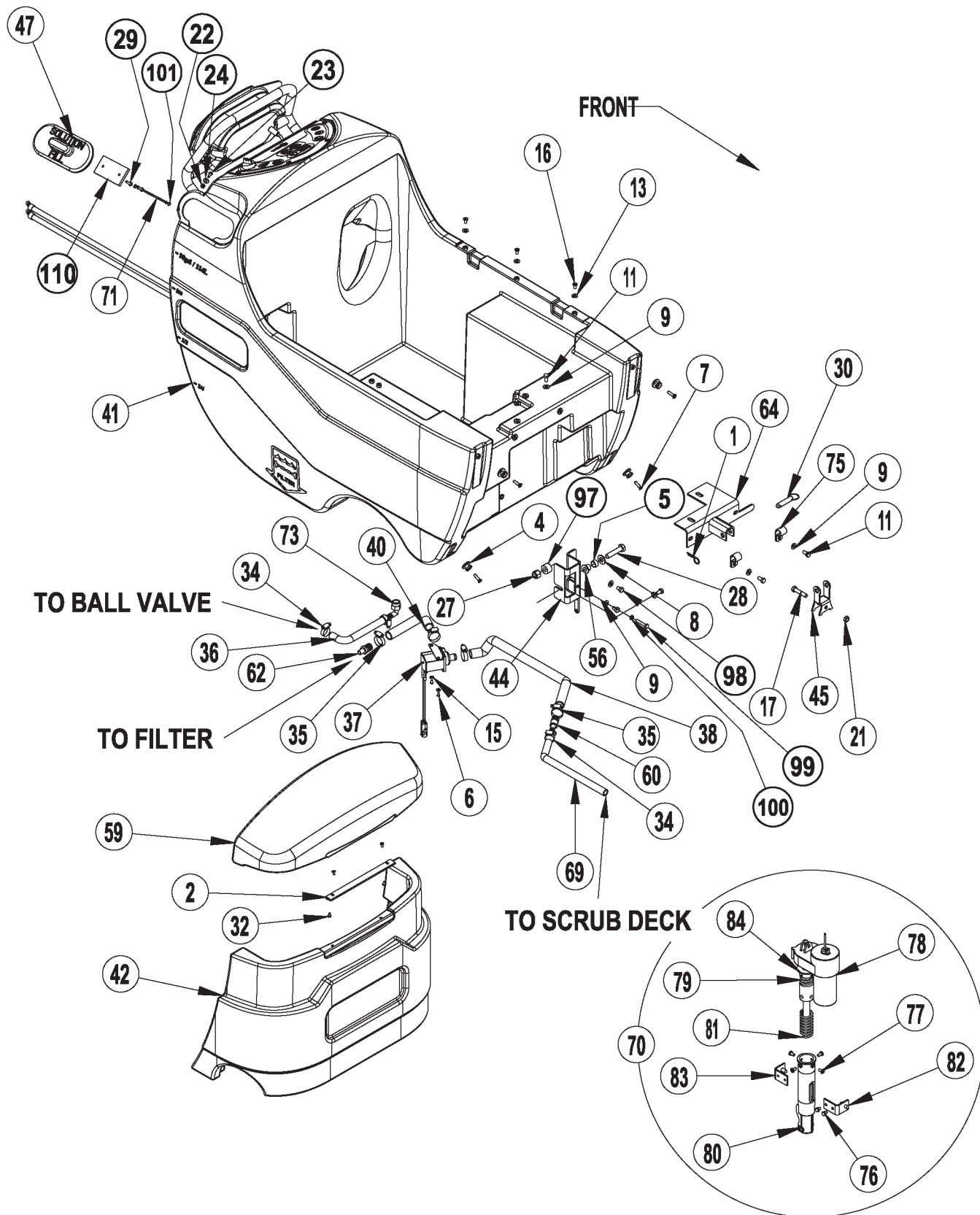
Item	Ref. No.	Qty	Description	Item	Ref. No.	Qty	Description
1	56002959	1	Pin, Cotter Hair	61	56315265	1	Tee, Barb
2	56302168	1	Hinge	62	56315266	1	Assembly, Paddle
3	56364527	1	Knob	63	56315270	1	Charger Cord, US (Advance only)
4	56365777	4	Lug, Brush Driver	64	56315380	1	Bushing
5	56370878	1	Bearing, Sleeve	65	56315382	1	Clip, Conduit
6	56001832	4	Scr, Flt Phil 1/4-20 X 1.00	66	56315532	1	Gasket
7	56001879	1	Wsh, Flt SAE 1/2	67	56315609	1	Cover, Chemical Tank
8	56001939	7	Wsh, Flt SAE 5/16	68	56315634	1	Barb, Adaptor 3/4 X 1/2 Npt
9	56001954	11	Wsh, Flt SAE #10	69	56315645	1	Chemical Tank Assy
10	56002035	5	Scr, Hex 5/16-18 X .62	70	56315657	1	Control Panel Assy - Fm
11	56002066	8	Scr, Pan Phil 1/4-20 X .62 (Advance only)	71	56315663	1	Weldment, Actuator Mount
12	56002094	4	Scr, Hex 5/16-18 X 1.50	72	56315683	1	Barb, 90 Elbow 3/4 X 3/8npt
13	56002098	6	Wsh, Flt SAE 1/4	73	56315684	1	Assembly, Electrical Box (100-111)
14	56002124	12	Scr, Pan Phil 10-24 X .62	74	56315686	1	Charge Connector Assy (Advance only / to batteries)
15	56002145	7	Scr, Pan Phil 1/4-20 X .50	75	56315687	2	Charge Connector Assy (Advance only / to electrical box)
16	56002146	3	Scr, Pan Phil 8-32 X .62	76	56331154	2	Clamp, Plastic
17	56002684	1	Scr, Hex 3/8-16 X 1.75	77	56379139	1	Hose, PVC
18	56002708	4	Nut, Hex Nyl Loc 1/4-20 (Advance only)	78	56391802	1	Hose, Spiral .375
19	56002825	2	Scr, Pan Phil 1/4-20 X 1.25	79	56396049	1	Lift Actuator Assembly (91-99)
20	56002832	2	Nut, Hex Nyl Loc-Thin 10-24	80	56212242	1	Chain
21	56002840	3	Nut, Hex Nyl Loc-Thin 1/4-20	81	56397215	1	Solenoid Valve Assy. 36v
22	56002841	1	Nut, Hex Nyl Loc-Thin 3/8-16	83	56409152	1	Barb, 90 Elbow 1/2 X 1/2npt
23	56002849	1	Nut, Hex Nyl Loc-Thin Ss 10-24	84	56409462	1	Hose, Spiral .500
25	56002896	1	Scr, Pan Phil SS 10-24 X .62	85	56412285	1	Gasket, Elect. Cover
26	56002919	1	Wsh, Flt Std Ss #10	86	56418669	1	Reducer, Barb
27	56002962	1	Scr, Soc Shd .38 X .62 X 5/16-18	87	56469380	2	Clamp, P
28	56003003	1	Scr, Pan Phil 5/16-18 X .62	88	56486112	2	Clamp, P
29	56003266	1	Ring, Ret Ext Type E 0.75 Dia.	89	56249682	1	Spiral, Hose X .375
30	56003312	1	Nut, Hex Nyl Loc M12-1.75	90	56756364	6	Clamp, Hose SAE #4
31	56003708	1	Scr, Hex M12-1.75 X 35mm	91	56009019	2	Scr, Hex Thd Form 1/4-20 X .38
32	56009005	1	Scr, Pan Phil SS Type B 10-16 X .75	92	56009062	4	Scr, Pan Phil Thd Form 1/4-20 X .50
33	56003679	1	Pin, Ring .50 X 1.63	93	56393303	1	Actuator, Motor (M5)
34	56009030	2	Scr, Pan Phil Thd Form 10-24 X .38 (Advance only)	*	56393790	2	Limit Switch
35	56009051	1	Scr, Pan Phil Thd Form 8-32 X .38	*	56470433	1	Carbon Brush Kit
36	56009139	4	Scr, Pan Phil Loc 10-24 X .38	94	56412071	1	Compression Spring
37	56009206	4	Scr, Truss Phil-Blk 10-24x.50	95	56412262	1	Housing, Spring
38	56051207	1	Barb, Adapter 3/8 X 1/2 Npt	96	56420018	1	Compression Spring
39	56219932	5	Clamp, Hose SAE #6	97	56420019	1	Nut Retainer
40	56244969	1	Clamp, Hose SAE #12	98	56420020	1	Nut Retainer
41	56262180	2	Hose, Spiral .500	99	56396268	1	Spring Housing Guide
42	56302015	1	Hose, Spiral .375	100	56009203	3	Stud, 1/4-20
43	56303553	1	Key Switch Assy (S3)	101	56412089	1	Fuse, 150 Amp
*	56303526	A/R	Set of 2 Keys	102	56395450	1	Contacto 36v (K2 / Vac Motor)
44	56315086	1	Tank, Solution	103	56469858	3	Standoff, Insulated
45	56315087	1	Nose Cone	104	56002462	7	Scr, Pan Phil 1/4-20 X .38
46	56315108	1	Pump, Solution (M5)	105	56002561	3	Nut, Hex W/ Shprf 1/4-20
47	56315121	1	Guide, Cable	106	56003698	2	Scr, Pan Phil Thd Form 8-32 X .75
48	56315478	1	Bracket	107	56315629	1	Panel, Electrical
49	56315191	1	Yoke, Actuator	108	56315692	1	Controller, Speed
50	56315193	2	Bushing, Flange	109	56397250	1	Solenoid, Spdt 36v (K1 / Brush Motor)
51	56315204	1	Charger, On-Board 36v (Advance only)	110	56009051	1	Scr, Pan Phil Thd Form 8-32 X .38
52	56315206	1	Bracket, Charger (Advance only)	111	56409538	4	Insulator, Terminal
53	56315219	1	Cover, Solution Fill	112	56398000	1	Connector Assy (Nilfisk only / to batteries)
54	56315222	1	Panel, Electrical	113	56315687	1	Charge Connector Assy (Nilfisk only / to electrical box)
55	56315236	1	Weldment, Squeegee Lift	114	56315479	1	Bushing
56	56315243	1	Cable Assy	115	56001862	2	Scr, Hex 5/16-18 x .50
57	56315245	1	Bushing, Squeegee Cable	116	56003709	1	Scr, Hex Thd to Hd 1/4-20 x 1.50
58	56315255	1	Circuit Breaker, 5 Amp	117	56009087	1	Nut, Hex Jam 1/4-20
59	56315256	1	Circuit Breaker, 30 Amp	118	56311057	2	Coupler, Chain
60	56315259	1	Plate, Circuit Breaker	119	56249884	1	Plate
				120	56315166	1	Plate

* = Not Shown



Item	Ref. No.	Qty	Description	Item	Ref. No.	Qty	Description
1	56002959	1	Pin, Cotter Hair	61	56315265	1	Tee, Barb
2	56302168	1	Hinge	62	56315266	1	Assembly, Paddle
3	56364527	1	Knob	63	56315270	1	Charger Cord, US (Advance only)
4	56365777	4	Lug, Brush Driver	64	56315380	1	Bushing
5	56370878	1	Bearing, Sleeve	65	56315382	1	Clip, Conduit
6	56001832	4	Scr, Flt Phil 1/4-20 X 1.00	66	56315532	1	Gasket
7	56001879	1	Wsh, Flt SAE 1/2	67	56315609	1	Cover, Chemical Tank
8	56001939	7	Wsh, Flt SAE 5/16	68	56315634	1	Barb, Adaptor 3/4 X 1/2 Npt
9	56001954	11	Wsh, Flt SAE #10	69	56315645	1	Chemical Tank Assy
10	56002035	5	Scr, Hex 5/16-18 X .62	70	56315657	1	Control Panel Assy - Fm
11	56002066	8	Scr, Pan Phil 1/4-20 X .62 (Advance only)	71	56315663	1	Weldment, Actuator Mount
12	56002094	4	Scr, Hex 5/16-18 X 1.50	72	56315683	1	Barb, 90 Elbow 3/4 X 3/8npt
13	56002098	6	Wsh, Flt SAE 1/4	73	56315684	1	Assembly, Electrical Box (100-111)
14	56002124	12	Scr, Pan Phil 10-24 X .62	74	56315686	1	Charge Connector Assy (Advance only / to batteries)
15	56002145	7	Scr, Pan Phil 1/4-20 X .50	75	56315687	2	Charge Connector Assy (Advance only / to electrical box)
16	56002146	3	Scr, Pan Phil 8-32 X .62	76	56331154	2	Clamp, Plastic
17	56002684	1	Scr, Hex 3/8-16 X 1.75	77	56379139	1	Hose, PVC
18	56002708	4	Nut, Hex Nyl Loc 1/4-20 (Advance only)	78	56391802	1	Hose, Spiral .375
19	56002825	2	Scr, Pan Phil 1/4-20 X 1.25	79	56396049	1	Lift Actuator Assembly (91-99)
20	56002832	2	Nut, Hex Nyl Loc-Thin 10-24	80	56212242	1	Chain
21	56002840	3	Nut, Hex Nyl Loc-Thin 1/4-20	81	56397215	1	Solenoid Valve Assy. 36v
22	56002841	1	Nut, Hex Nyl Loc-Thin 3/8-16	83	56409152	1	Barb, 90 Elbow 1/2 X 1/2npt
23	56002849	1	Nut, Hex Nyl Loc-Thin Ss 10-24	84	56409462	1	Hose, Spiral .500
25	56002896	1	Scr, Pan Phil SS 10-24 X .62	85	56412285	1	Gasket, Elect. Cover
26	56002919	1	Wsh, Flt Std Ss #10	86	56418669	1	Reducer, Barb
27	56002962	1	Scr, Soc Shd .38 X .62 X 5/16-18	87	56469380	2	Clamp, P
28	56003003	1	Scr, Pan Phil 5/16-18 X .62	88	56486112	2	Clamp, P
29	56003266	1	Ring, Ret Ext Type E 0.75 Dia.	89	56249682	1	Spiral, Hose X .375
30	56003312	1	Nut, Hex Nyl Loc M12-1.75	90	56756364	6	Clamp, Hose SAE #4
31	56003708	1	Scr, Hex M12-1.75 X 35mm	91	56009019	2	Scr, Hex Thd Form 1/4-20 X .38
32	56009005	1	Scr, Pan Phil SS Type B 10-16 X .75	92	56009062	4	Scr, Pan Phil Thd Form 1/4-20 X .50
33	56003679	1	Pin, Ring .50 X 1.63	93	56393303	1	Actuator, Motor (M5)
34	56009030	2	Scr, Pan Phil Thd Form 10-24 X .38 (Advance only)	*	56393790	2	Limit Switch
35	56009051	1	Scr, Pan Phil Thd Form 8-32 X .38	94	56470433	1	Carbon Brush Kit
36	56009139	4	Scr, Pan Phil Loc 10-24 X .38	95	56412071	1	Compression Spring
37	56009206	4	Scr, Truss Phil-Blk 10-24x.50	96	56412262	1	Housing, Spring
38	56051207	1	Barb, Adapter 3/8 X 1/2 Npt	97	56420018	1	Compression Spring
39	56219932	5	Clamp, Hose SAE #6	98	56420019	1	Nut Retainer
40	56244969	1	Clamp, Hose SAE #12	99	56420020	1	Nut Retainer
41	56262180	2	Hose, Spiral .500	100	56396268	1	Spring Housing Guide
42	56302015	1	Hose, Spiral .375	101	56009203	3	Stud, 1/4-20
43	56303553	1	Key Switch Assy (S3)	102	56412089	1	Fuse, 150 Amp
*	56303526	A/R	Set of 2 Keys	103	56395450	1	Contacto 36v (K2 / Vac Motor)
44	56315086	1	Tank, Solution	104	56469858	3	Standoff, Insulated
45	56315087	1	Nose Cone	105	56002462	7	Scr, Pan Phil 1/4-20 X .38
46	56315108	1	Pump, Solution (M5)	106	56002561	3	Nut, Hex W/ Shprf 1/4-20
47	56315121	1	Guide, Cable	107	56003698	2	Scr, Pan Phil Thd Form 8-32 X .75
48	56315478	1	Bracket	108	56315629	1	Panel, Electrical
49	56315191	1	Yoke, Actuator	109	56315692	1	Controller, Speed
50	56315193	2	Bushing, Flange	110	56397250	1	Solenoid, Spdt 36v (K1 / Brush Motor)
51	56315204	1	Charger, On-Board 36v (Advance only)	111	56009051	1	Scr, Pan Phil Thd Form 8-32 X .38
52	56315206	1	Bracket, Charger (Advance only)	112	56409538	4	Insulator, Terminal
53	56315219	1	Cover, Solution Fill	113	56398000	1	Connector Assy (Nilfisk only / to batteries)
54	56315222	1	Panel, Electrical	114	56315687	1	Charge Connector Assy (Nilfisk only / to electrical box)
55	56315236	1	Weldment, Squeegee Lift	115	56315479	1	Bushing
56	56315243	1	Cable Assy	116	56001862	2	Scr, Hex 5/16-18 x .50
57	56315245	1	Bushing, Squeegee Cable	117	56003709	1	Scr, Hex Thd to Hd 1/4-20 x 1.50
58	56315255	1	Circuit Breaker, 5 Amp	118	56009087	1	Nut, Hex Jam 1/4-20
59	56315256	1	Circuit Breaker, 30 Amp	119	56311057	2	Coupler, Chain
60	56315259	1	Plate, Circuit Breaker	120	56249884	1	Plate
					56315166	1	Plate

* = Not Shown



Item	Ref. No.	Qty	Description	Item	Ref. No.	Qty	Description
1	56002959	1	Pin, Cotter Hair	51	56315245	1	Bushing, Squeegee Cable
2	56302168	1	Hinge	52	56315255	1	Circuit Breaker, 5 Amp
3	56364527	1	Knob	53	56315256	1	Circuit Breaker, 30 Amp
4	56365777	4	Lug, Brush Driver	54	56315259	1	Plate, Circuit Breaker
5	56370878	1	Bearing, Sleeve	55	56315266	1	Assembly, Paddle
6	56001818	2	Scr, Pan Phil 8-32 X .38	56	56315380	1	Bushing
7	56001832	4	Scr, Flt Phil 1/4-20 X 1.00	57	56315382	1	Clip, Conduit
8	56001879	1	Wsh, Flt SAE 1/2	58	56315532	1	Gasket
9	56001939	7	Wsh, Flt SAE 5/16	59	56315609	1	Cover, Chemical Tank
10	56001954	8	Wsh, Flt SAE #10	60	56315625	1	Barb, Coupler 1/2 X 3/4
11	56002035	5	Scr, Hex 5/16-18 X .62	61	56315628	1	Assembly, Electrical Box (85-96)
12	56002094	4	Scr, Hex 5/16-18 X 1.50	62	56315634	2	Barb, Adaptor 3/4 X 1/2 NPT
13	56002098	6	Wsh, Flt SAE 1/4	63	56315656	1	Control Panel Assy - LC
14	56002124	12	Scr, Pan Phil 10-24 X .62	64	56315663	1	Weldment, Actuator Mount
15	56002140	2	Wsh, Flt SAE #8	65	56315683	1	Barb, 90 Elbow 3/4 X 3/8npt
16	56002145	5	Scr, Pan Phil 1/4-20 X .50	66	56315687	1	Charge Connector Assy (To electrical box)
17	56002684	1	Scr, Hex 3/8-16 X 1.75	67	56331154	2	Clamp, Plastic
18	56002825	2	Scr, Pan Phil 1/4-20 X 1.25	68	56379139	1	Hose, PVC
19	56002832	2	Nut, Hex Nyl Loc-Thin 10-24	69	56387302	1	Hose, Solution
20	56002840	1	Nut, Hex Nyl Loc-Thin 1/4-20	70	56396049	1	Lift Actuator Assembly (76-84)
21	56002841	1	Nut, Hex Nyl Loc-Thin 3/8-16	71	56397167	1	Strap, Retaining
22	56002849	1	Nut, Hex Nyl Loc-Thin SS 10-24	72	56398000	1	Connector Assy (To batteries)
23	56002896	1	Scr, Pan Phil Ss 10-24 X .62	73	56409152	1	Barb, 90 Elbow 1/2 X 1/2npt
24	56002919	1	Wsh, Flt Std Ss #10	74	56412285	1	Gasket, Elect. Cover
25	56002962	1	Scr, Soc Shd .38 X .62 X 5/16-18	75	56469380	2	Clamp, P
26	56003266	1	Ring, Ret Ext Type E 0.75 Dia.	76	56009019	2	Scr, Hex Thd Form 1/4-20 X .38
27	56003312	1	Nut, Hex Nyl Loc M12-1.75	77	56009062	4	Scr, Pan Phil Thd Form 1/4-20 X .50
28	56003708	1	Scr, Hex M12-1.75 X 35mm	78	56393303	1	Actuator, Motor (M5)
29	56009005	1	Scr, Pan Phil Ss Type B 10-16 X .75	*	56393790	2	Limit Switch
30	56003679	1	Pin, Ring .50 X 1.63	*	56470433	1	Carbon Brush Kit
31	56009051	1	Scr, Pan Phil Thd Form 8-32 X .38	79	56412071	1	Compression Spring
32	56009139	4	Scr, Pan Phil Loc 10-24 X .38	80	56412262	1	Housing, Spring
33	56009206	4	Scr, Truss Phil-Blk 10-24x.50	81	56420018	1	Compression Spring
34	56219932	3	Clamp, Hose SAE #6	82	56420019	1	Nut Retainer
35	56244969	5	Clamp, Hose SAE #12	83	56420020	1	Nut Retainer
36	56262180	1	Hose, Spiral .500	84	56396268	1	Spring Housing Guide
37	56303275	1	Solenoid Valve Assy	85	56009203	3	Stud, 1/4-20
38	56303394	1	Hose, Spiral .750 X 25"	86	56412089	1	Fuse, 150 Amp
39	56303553	1	Key Switch Assembly (S3)	87	56395450	1	Contacto 36v (K2 / Vac Motor)
*	56303526	A/R	Set of 2 Keys	88	56469858	3	Standoff, Insulated
40	56305318	1	Hose, Spiral .750 X 10.5"	89	56002462	7	Scr, Pan Phil 1/4-20 X .38
41	56315086	1	Tank, Solution	90	56002561	3	Nut, Hex W/ Shprf 1/4-20
42	56315087	1	Nose Cone	91	56003698	2	Scr, Pan Phil Thd Form 8-32 X .75
43	56315121	1	Guide, Cable	92	56315629	1	Panel, Electrical
44	56315478	1	Bracket	93	56315692	1	Controller, Speed
45	56315191	1	Yoke, Actuator	94	56395450	1	Contacto 36v (K1 / Brush Motor)
46	56315193	2	Bushing, Flange	95	56009051	1	Scr, Pan Phil Thd Form 8-32 X .38
47	56315219	1	Cover, Solution Fill	96	56409538	4	Insulator, Terminal
48	56315222	1	Panel, Electrical	97	56315479	1	Bushing
49	56315236	1	Weldment, Squeegee Lift	98	56001862	2	Scr, Hex 5/16-18 x .50
50	56315243	1	Cable Assy	99	56003709	1	Scr, Hex Thd to Hd 1/4-20 x 1.50
				100	56009087	1	Nut, Hex Jam 1/4-20
				101	56311057	2	Coupler, Chain
				102	56315204	1	Charger, Onboard 36V NOTE #1
				103	56315270	1	Charger Cord, US NOTE #1
				104	56315206	1	Bracket, Charger NOTE #1
				105	56002066	8	Scr, Pan Phil 1/4-20 x .62 NOTE #1
				106	56486112	2	Clamp, P NOTE #1
				107	56009030	2	Scr, Pan Phil Thd Form 10-24 x .38 NOTE #1
				108	56002708	4	Nut, Hex Nyl Loc 1/4-20 NOTE #1
				109	56249884	1	Plate
				110	56315166	1	Plate

* = Not Shown

NOTE #1: These items are only used on the following Advance models: 56315039, 56315538, 56315539, 56315540.

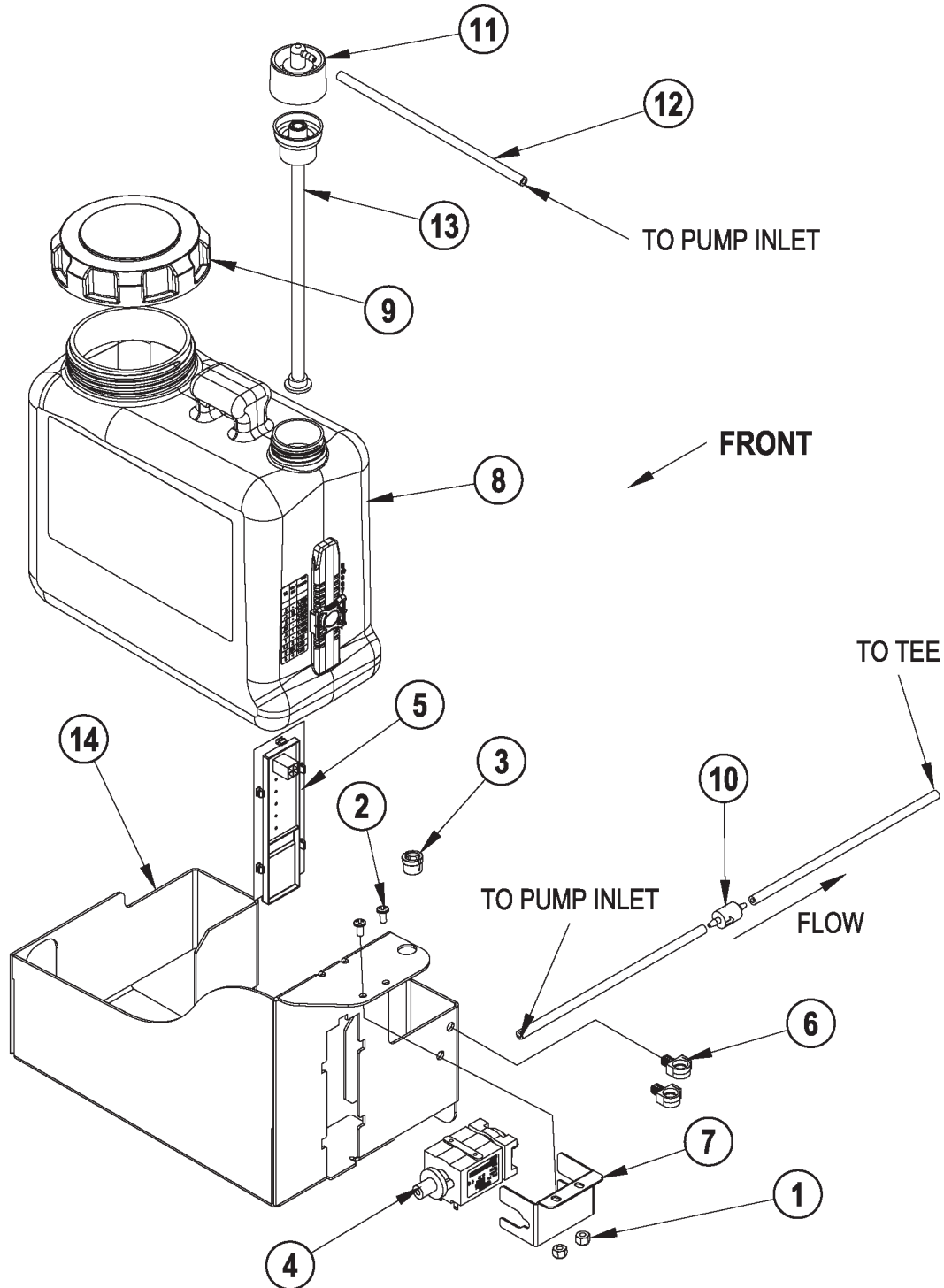
FORM NO. 56042463

Item	Ref. No.	Qty	Description	Item	Ref. No.	Qty	Description
1	56002959	1	Pin, Cotter Hair	51	56315245	1	Bushing, Squeegee Cable
2	56302168	1	Hinge	52	56315255	1	Circuit Breaker, 5 Amp
3	56364527	1	Knob	53	56315256	1	Circuit Breaker, 30 Amp
4	56365777	4	Lug, Brush Driver	54	56315259	1	Plate, Circuit Breaker
5	56370878	1	Bearing, Sleeve	55	56315266	1	Assembly, Paddle
6	56001818	2	Scr, Pan Phil 8-32 X .38	56	56315380	1	Bushing
7	56001832	4	Scr, Flt Phil 1/4-20 X 1.00	57	56315382	1	Clip, Conduit
8	56001879	1	Wsh, Flt SAE 1/2	58	56315532	1	Gasket
9	56001939	7	Wsh, Flt SAE 5/16	59	56315609	1	Cover, Chemical Tank
10	56001954	8	Wsh, Flt SAE #10	60	56315625	1	Barb, Coupler 1/2 X 3/4
11	56002035	5	Scr, Hex 5/16-18 X .62	61	56315628	1	Assembly, Electrical Box (85-96)
12	56002094	4	Scr, Hex 5/16-18 X 1.50	62	56315634	2	Barb, Adaptor 3/4 X 1/2 NPT
13	56002098	6	Wsh, Flt SAE 1/4	63	56315656	1	Control Panel Assy - LC
14	56002124	12	Scr, Pan Phil 10-24 X .62	64	56315663	1	Weldment, Actuator Mount
15	56002140	2	Wsh, Flt SAE #8	65	56315683	1	Barb, 90 Elbow 3/4 X 3/8npt
16	56002145	5	Scr, Pan Phil 1/4-20 X .50	66	56315687	1	Charge Connector Assy (To electrical box)
17	56002684	1	Scr, Hex 3/8-16 X 1.75	67	56331154	2	Clamp, Plastic
18	56002825	2	Scr, Pan Phil 1/4-20 X 1.25	68	56379139	1	Hose, PVC
19	56002832	2	Nut, Hex Nyl Loc-Thin 10-24	69	56387302	1	Hose, Solution
20	56002840	1	Nut, Hex Nyl Loc-Thin 1/4-20	70	56396049	1	Lift Actuator Assembly (76-84)
21	56002841	1	Nut, Hex Nyl Loc-Thin 3/8-16	71	56397167	1	Strap, Retaining
22	56002849	1	Nut, Hex Nyl Loc-Thin SS 10-24	72	56398000	1	Connector Assy (To batteries)
23	56002896	1	Scr, Pan Phil Ss 10-24 X .62	73	56409152	1	Barb, 90 Elbow 1/2 X 1/2npt
24	56002919	1	Wsh, Flt Std Ss #10	74	56412285	1	Gasket, Elect. Cover
25	56002962	1	Scr, Soc Shd .38 X .62 X 5/16-18	75	56469380	2	Clamp, P
26	56003266	1	Ring, Ret Ext Type E 0.75 Dia.	76	56009019	2	Scr, Hex Thd Form 1/4-20 X .38
27	56003312	1	Nut, Hex Nyl Loc M12-1.75	77	56009062	4	Scr, Pan Phil Thd Form 1/4-20 X .50
28	56003708	1	Scr, Hex M12-1.75 X 35mm	78	56393303	1	Actuator, Motor (M5)
29	56009005	1	Scr, Pan Phil Ss Type B 10-16 X .75	*	56393790	2	Limit Switch
30	56003679	1	Pin, Ring .50 X 1.63	*	56470433	1	Carbon Brush Kit
31	56009051	1	Scr, Pan Phil Thd Form 8-32 X .38	79	56412071	1	Compression Spring
32	56009139	4	Scr, Pan Phil Loc 10-24 X .38	80	56412262	1	Housing, Spring
33	56009206	4	Scr, Truss Phil-Blk 10-24x.50	81	56420018	1	Compression Spring
34	56219932	3	Clamp, Hose SAE #6	82	56420019	1	Nut Retainer
35	56244969	5	Clamp, Hose SAE #12	83	56420020	1	Nut Retainer
36	56262180	1	Hose, Spiral .500	84	56396268	1	Spring Housing Guide
37	56303275	1	Solenoid Valve Assy	85	56009203	3	Stud, 1/4-20
38	56303394	1	Hose, Spiral .750 X 25"	86	56412089	1	Fuse, 150 Amp
39	56303553	1	Key Switch Assembly (S3)	87	56395450	1	Contactor 36v (K2 / Vac Motor)
*	56303526	A/R	Set of 2 Keys	88	56469858	3	Standoff, Insulated
40	56305318	1	Hose, Spiral .750 X 10.5"	89	56002462	7	Scr, Pan Phil 1/4-20 X .38
41	56315086	1	Tank, Solution	90	56002561	3	Nut, Hex W/ Shprf 1/4-20
42	56315087	1	Nose Cone	91	56003698	2	Scr, Pan Phil Thd Form 8-32 X .75
43	56315121	1	Guide, Cable	92	56315629	1	Panel, Electrical
44	56315478	1	Bracket	93	56315692	1	Controller, Speed
45	56315191	1	Yoke, Actuator	94	56395450	1	Contactor 36v (K1 / Brush Motor)
46	56315193	2	Bushing, Flange	95	56009051	1	Scr, Pan Phil Thd Form 8-32 X .38
47	56315219	1	Cover, Solution Fill	96	56409538	4	Insulator, Terminal
48	56315222	1	Panel, Electrical	97	56315479	1	Bushing
49	56315236	1	Weldment, Squeegee Lift	98	56001862	2	Scr, Hex 5/16-18 x .50
50	56315243	1	Cable Assy	99	56003709	1	Scr, Hex Thd to Hd 1/4-20 x 1.50
				100	56009087	1	Nut, Hex Jam 1/4-20
				101	56311057	2	Coupler, Chain
				102	56315204	1	Charger, Onboard 36V NOTE #1
				103	56315270	1	Charger Cord, US NOTE #1
				104	56315206	1	Bracket, Charger NOTE #1
				105	56002066	8	Scr, Pan Phil 1/4-20 x .62 NOTE #1
				106	56486112	2	Clamp, P NOTE #1
				107	56009030	2	Scr, Pan Phil Thd Form 10-24 x .38 NOTE #1
				108	56002708	4	Nut, Hex Nyl Loc 1/4-20 NOTE #1
				109	56249884	1	Plate
				110	56315166	1	Plate

* = Not Shown

NOTE #1: These items are only used on the following Advance models: 56315039, 56315538, 56315539, 56315540.

FORM NO. 56042463



05-4

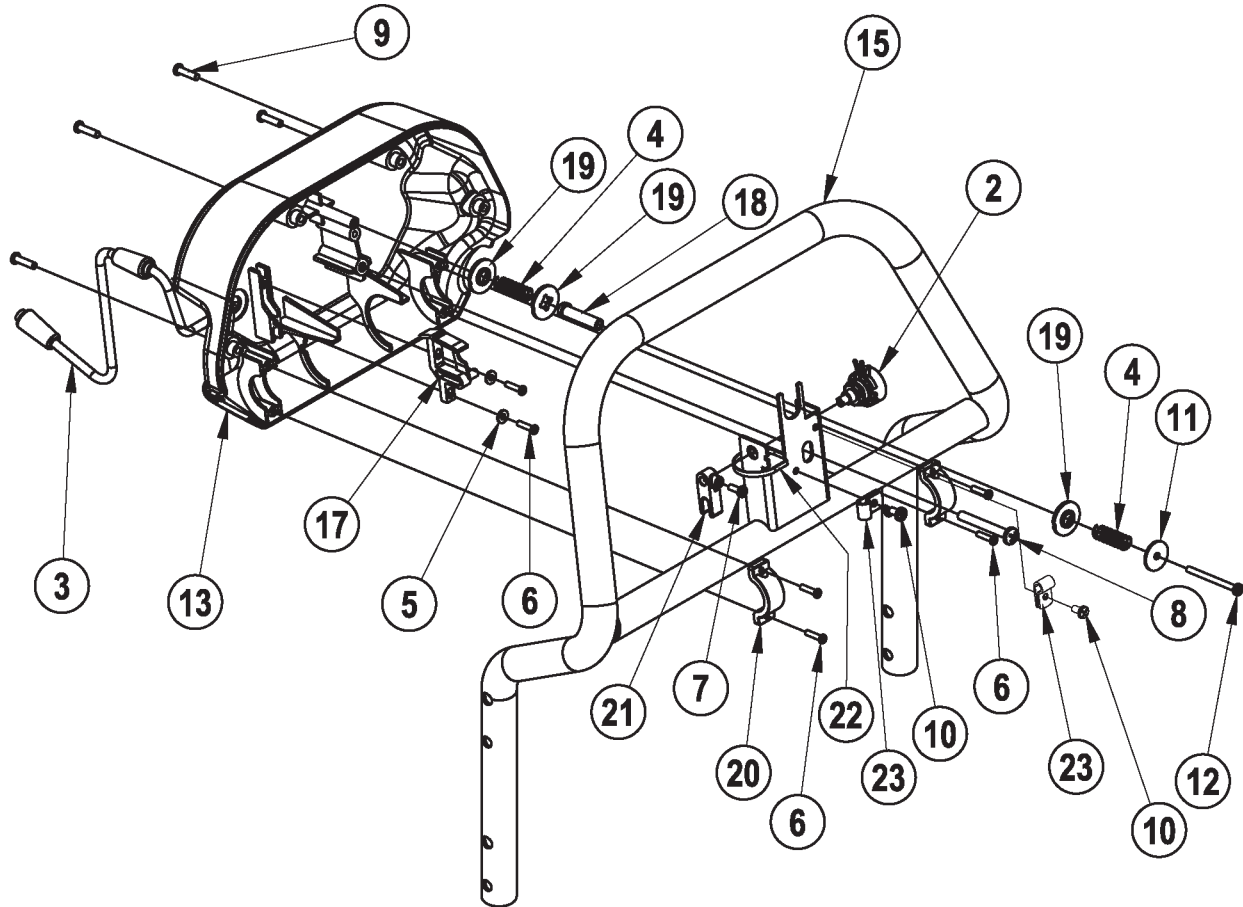
CHEMICAL ASSEMBLY (AXP / ECO+Solution)**BOOK E**

05-5

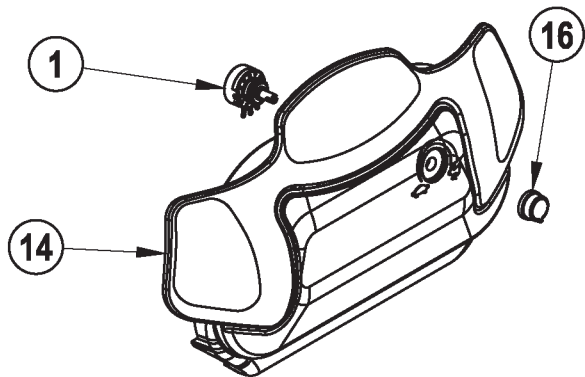
Warrior ST™, Warrior™ AXP / BA 755 series**E****16.6.1****23**

Item	Ref. No.	Qty	Description
	56315645	1	Chemical Tank Assy
1	56002877	2	Nut, Hex Nyl Loc SS 8-32
2	56003018	2	Scr, Pan Phil SS 8-32 X .38
3	56003699	1	Bushing, 1/4 Id Snub
4	56315241	1	Pump, Chemical
5	56315340	1	Chemical Sensor Assy
6	56315382	2	Clip, Conduit
7	56315476	1	Bracket, Chemical Pump
8	56315502	1	Chemical Bottle As
9	56315517	1	Cap, Raw
10	56315522	1	Check Valve, 1/8 Barb, 125 PSI
11	56315523	1	Cap, Dry Break, 1/8 Barb, 90°
12	56315524	3	Hose, Chemical Resistant, 7"
13	56315527	1	Insert, Dry Break
14	56315644	1	Bracket, Tank Mounting

** = Optional, Not Included

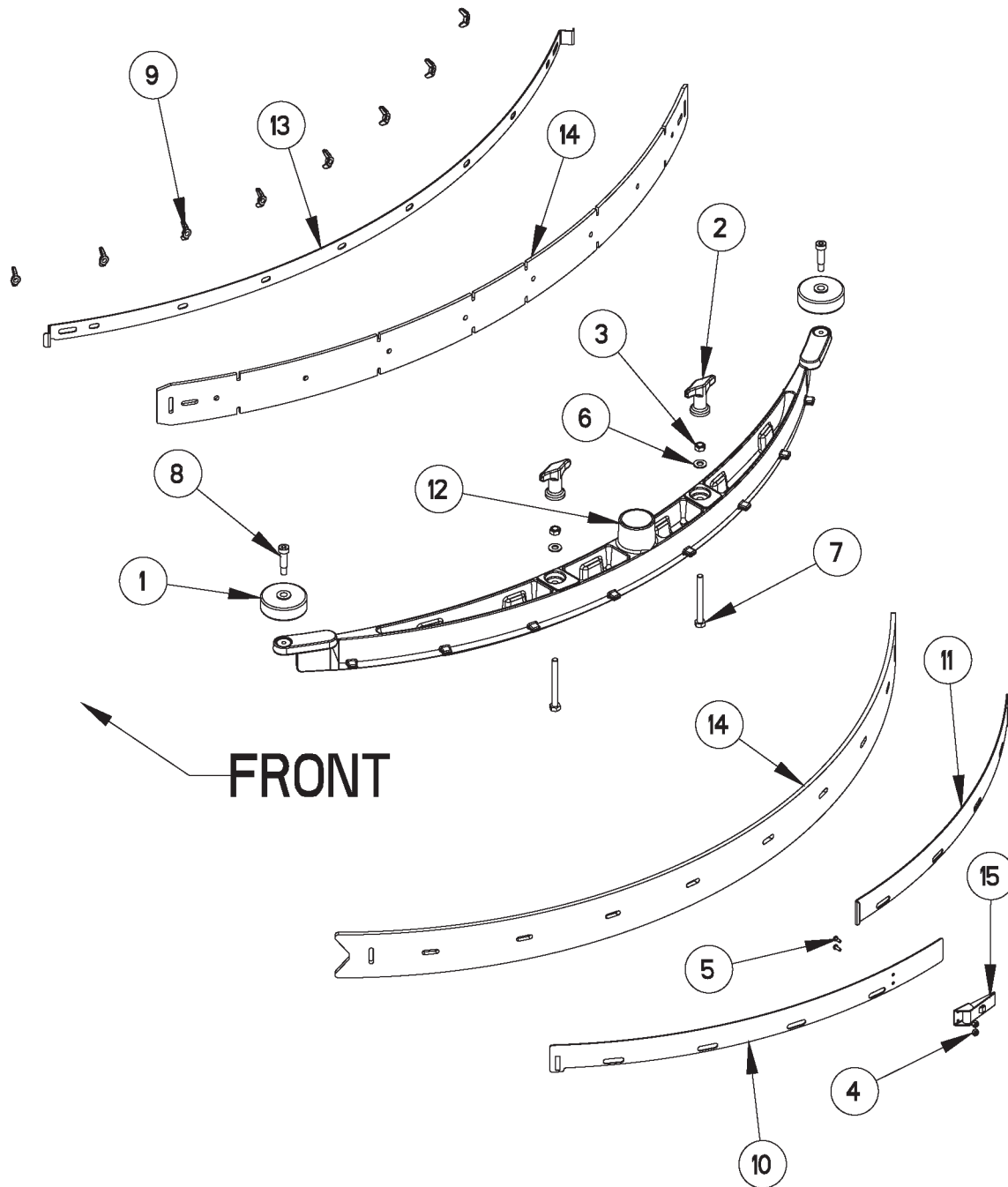


FRONT



05-4	PADDLE ASSEMBLY	BOOK E		
05-5	Warrior ST™, Warrior™ AXP / BA 755 series	E	16.6.1	25

Item	Ref. No.	Qty	Description
	56315266	1	Assembly, Paddle
1	56396197	1	Potentiometer, 100k (R2)
2	56397029	1	Potentiometer, 5k (R1)
3	56315231	1	Harness, Handle
4	56325654	2	Spring, Compression
5	56002006	2	Wsh, Flt SAE #6
6	56003197	6	Scr, Pan Phil Plastite 6-18x.62
7	56003354	1	Scr, Pan Phil M4 X 12
8	56003527	1	Scr, Pan Phil Plastite 1/4-10x2.00
9	56003545	4	Scr, Pan Phil Plastite 8-10x.75
10	56009030	2	Scr, Pan Phil Thd Form 10-24x.38
11	56009096	1	Wsh, Flt .193 X .875 X .060
12	56009287	1	Scr, Pan Phil Type B 8x2.00
13	56315229	1	Paddle, Back Cover
14	56315230	1	Paddle, Front Cover
15	56315251	1	Weldment, Handle Bar
16	56315280	1	Knob
17	56397015	1	Cam Controller
18	56397109	1	Sleeve
19	56397170	3	Washer, Plastic
20	56397171	2	Clamp
21	56397172	1	Potentiometer Fork
22	56478246	1	Tie, Cable
23	56481890	2	Clamp, P



Item	Ref. No.	Qty	Description
	56315632	1	Squeegee Assembly "D" (STD on all models except Advance 28 & 32 cylindrical)
	56314697	1	Squeegee Assembly "D" (STD on Advance 28 & 32 cylindrical)
	56314020	1	Squeegee Assembly (Narrow Isle Option)
1	56324350	2	Wheel
2	56370711	2	Nut, Thumb
3	56002851	2	Nut, Hex Nyl Loc-Thin Ss 5/16-18
4	56002907	2	Nut, Hex Nyl Loc SS 6-32
5	56002909	2	Scr, Pan Phil SS 6-32 X .38
6	56002938	2	Wsh, Flt Sae SS 5/16
7	56003334	2	Scr, Hex SS 5/16-18 X 3.00
8	56003472	2	Scr, Soc Shd .38 X 1.00 X 5/16-18
9	56009111	8	Nut, Wing SS 1/4-20
10	56314691	1	Strap, Left Rear "D" (used on 56315632 & 56314697)
	56314026	1	Strap, Left Rear (used on 56314020)
11	56314692	1	Strap, Right Rear "D" (used on 56315632 & 56314697)
	56314027	1	Strap, Right Rear (used on 56314020)
12	56314694	1	Squeegee Tool, Cast "D" (used on 56315632 & 56314697)
	56314271	1	Squeegee Tool, Cast (used on 56314020)
13	56314696	1	Strap, Front "D" (used on 56315632 & 56314697)
	56314028	1	Strap, Front (used on 56314020)
14	56315674	1	Kit, Gum Rubber Squeegee Blade "D" (used on 56315632) NOTE #1
	56315865	1	Kit, Linatex Squeegee Blade "D" (used on 56314697) NOTE #1
	56314303	1	Kit, Gum Rubber Squeegee Blade 28 (used on 56314020) NOTE #1
15	56471194	1	Latch Assembly
			Squeegee Blade Kits for 56315632 & 56314697
**	56315674	1	Kit, Gum Rubber Squeegee Blade "D" NOTE #1
**	56314865	1	Kit, Linatex Squeegee Blade "D" NOTE #1
**	56314843	1	Kit, Neoprene Squeegee Blade "D" NOTE #1
			Squeegee Blade Kits for 56314020
**	56314303	1	Kit, Gum Rubber Squeegee Blade 28 NOTE #1
**	56314304	1	Kit, Linatex Squeegee Blade 28 NOTE #1
**	56314305	1	Kit, Neoprene Squeegee Blade 28 NOTE #1

** = Optional, Not Included

NOTE #1: All squeegee blade kits include both front and rear squeegee blades.

Item	Ref. No.	Qty	Description
A1	56315657	1	Control Panel-FM
	56315656	1	Control Panel-LC
A2	56315692	1	Speed Control
BT1	NA	6	Battery
F1	56412089	1	Fuse, 150 Amp
F2	56315255	1	Circuit Breaker, 5 Amp
F3	56315256	1	Circuit Breaker, 30 Amp
K1	56397250	1	Contactor, Brush Motor (AXP / ECO+Solution Models)
	56395450	1	Contactor, Brush Motor (STD Models)
K2	56395450	1	Contactor, Vac Motor (All Models)
L1	56397215	1	Solenoid, Solution
L2	56397215	1	Solenoid, Recycle Solution (Optional)
M1	56315063	1	Transaxle, 36v
*	56315676	1	Motor
*	56315677	4	Carbon Brush
*	56315678	2	Neoprene Mounting Sleeve
M2	56397316	1	Motor, Left Brush (Disk)
*	56397139	4	Carbon Brush
*	56397138	4	Brush Spring
	56315611	1	Motor, Left Brush (Cylindrical)
*	56412287	1	Brush / Spring Kit
M3	56397316	1	Motor, Right Brush (Disk)
*	56397139	4	Carbon Brush
*	56397138	4	Brush Spring
	56315611	1	Motor, Left Brush (Cylindrical)
*	56412287	1	Brush / Spring Kit
M4	56391208	1	Vac Motor Assy
*	56377001	1	Carbon Brush Set of 2
M5	56393303	1	Motor, Brush Actuator
*	56393790	2	Limit Switch
*	56470433	1	Carbon Brush Kit
M7	56315108	1	Pump, Solution
M8	56315107	1	Pump, Recycle (Optional)
M9	56315241	1	Pump, Chemical (Optional)
R1	56397029	1	Potentiometer, 5K Ohm, Throttle
R2	56396197	1	Potentiometer, 100K Ohm, Speed Limit
S1	NA	1	Part of M7
S2	NA	1	Part of M8
S3	56303553	1	Switch, Key
*	56303526	A/R	Set of 2 Replacement Keys
S4	56315096	1	Switch, Float
S5	56315096	1	Switch, Float (Optional / Recycle Start)
S6	56315096	1	Switch, Float (Optional / Recycle Stop)
*	56315204	1	Charger, Onboard 36V (Advance Onboard Charger Models Only)
*	56315340	1	Chemical Ratio Sensor (Chemical Models Only)
*	56315679	1	Harness, Main
*	56416445	3	Cable Assy 4 AWG (Battery Cables)
*	56456460	2	Cable Assy 4 X 12 (Battery Cables)
*	56372673	12	Boot, Battery Post
*	56478523	4	Tie, Cable
*	56478246	9	Tie, Cable
*	56314119	2	Spacer, Battery

* = Not Shown

Ref. No.	Qty	Description
Options		
** 56315169	A/R	Extended Scrub Kit
** 56315312	A/R	Squeegee Wand Kit
** 56315681	A/R	Kit, Electromagnetic Brake
** 56315658	A/R	Kit, 36v Onboard Battery Charger - Eur
** 56315665	A/R	Kit, 36v Onboard Battery Charger - Uk
** 56315597	A/R	Kit, Sound Reduction
** 56314981	A/R	Battery Watering Kit
** 56315051	2	Wheel, Foam Filled - Grey Non-Marking
** 56315642	2	Wheel, Foam Filled - Black Traction
** 56315682	2	Wheel, Polyurethane - Traction
** 56315669	A/R	Kit, 28" Disk Deck Assy
** 56315670	A/R	Kit, 32" Disk Deck Assy
** 56315671	A/R	Kit, 28" Cyl Deck Assy
** 56315672	A/R	Kit, 32" Cyl Deck Assy
Squeegee Blade Kits for 56315632 & 56314697		
** 56315674	1	Kit, Gum Rubber Squeegee Blade "D" NOTE #1
** 56314865	1	Kit, Linatex Squeegee Blade "D" NOTE #1
** 56314843	1	Kit, Neoprene Squeegee Blade "D" NOTE #1
Squeegee Blade Kits for 56314020		
** 56314303	1	Kit, Gum Rubber Squeegee Blade 28 NOTE #1
** 56314304	1	Kit, Linatex Squeegee Blade 28 NOTE #1
** 56314305	1	Kit, Neoprene Squeegee Blade 28 NOTE #1
Accessories		
** 56315316	A/R	Tote Bag
** 56397453	6	Indicator, Battery Level (1 per battery)
** 56409441	A/R	Programmer, 1307 User
** 56409823	A/R	Programmer Cable
Optional Batteries		
** 56206117	6	Battery, 6v 195 A/H Wet
** 56206079	6	Battery, 6v 235 A/H Wet
** 56391391	6	Battery, 6v 305 A/H Wet
** 56206987	6	Battery, 6v 180a/H Gel
Optional Battery Chargers		
** 56395101	1	Charger, 36vdc Auto 20 Amp 120vac/60hz
** 56388502	1	Charger, 36vdc Auto 25 Amp 120vac/60hz
** 56388120	1	Charger, 36vdc Auto 36 Amp 120vac/60hz
** 56372190	1	Charger, 36vdc 20 Amp 230vac/50hz
** 56388119	1	Charger, 36vdc 36 Amp 230vac/50hz

** = Optional, Not Included

NOTE #1: All squeegee blade kits include both front and rear squeegee blades.

We provide brushes and pad holders that will give you the best possible performance between machine and floor. Following are descriptions of the materials and their applications.

Union Mix:	Medium grade natural fibers for polishing finished floors with standard-speed equipment. Recommended for use in place of white pads.
ProLite:	Bristles are made from light-duty polypropylene for general scrubbing when you do not want to scratch or remove finish from the floor. Recommended for use in place of red pads.
Prolene:	Polypropylene material for medium-duty scrubbing on concrete, terrazzo and vinyl floor tile. Recommended for use in place of green or blue pads.
Magna Grit:	For extreme heavy-duty scrubbing or stripping of floors. This brush has extra large diameter silicon carbide grit impregnated synthetic bristles. Recommended for use in place of black pads.
Dyna Grit:	For aggressive, heavy-duty scrubbing or stripping of floors. Recommended for use in place of brown pads.
MidLite Grit:	For general purpose scrubbing of sealed or unsealed concrete, stone, terrazzo, quarry tile and other resilient hard floor surfaces. Recommended for use in place of green or blue pads.
MidGrit:	For general purpose scrubbing when you need a lighter action for sealed or unsealed concrete, stone, terrazzo, quarry tile and other resilient hard floor surfaces. Recommended for use in place of green or blue pads.
AgLite Grit:	For light scrubbing when used wet; buffing or polishing when used dry on urethane coated, sealed concrete or other resilient hard surface floors. Recommended for use in place of red or white pads.
Short Trim	
Pad Holder:	Made with a structural foam block and center ring for correct pad centering. It has a "shower feed" design for getting solution to the floor.

28" BRUSHES

56505800 - Short Trim Pad Holder
 56505801 - MagnaGrit
 56505802 - DynaGrit
 56505803 - AgLite
 56505804 - Prolene
 56505805 - ProLite
 56505806 - Union Mix
 56505807 - MidGrit
 56505808 - MidLite Grit

32" BRUSHES

56505830 - Short Trim Pad Holder
 56505831 - MagnaGrit
 56505832 - DynaGrit
 56505833 - AgLite
 56505834 - Prolene
 56505835 - ProLite
 56505836 - Union Mix
 56505837 - MidGrit
 56505838 - MidLite Grit

DISC BRUSH APPLICATION GUIDE (SUGGESTION ONLY)

	46	80	180	240	500			Union
Application	Grit	Grit	Grit	Grit	Grit	Prolene	ProLite	Mix
Stripping:								
Concrete	X	X						
Terrazzo	X	X						
Ceramic/Quarry tile		X						
Vinyl tile		X						
General Scrubbing:								
Concrete	X	X	X	X		X		
Terrazzo			X	X	X	X		
Ceramic/Quarry tile			X	X	X	X		
Marble					X		X	
Vinyl tile			X		X	X		
Raised-rubber tile					X		X	
Polishing:								
Raised Disc Tile								X
Marble								X
Vinyl tile								X

We provide brushes and pad holders that will give you the best possible performance between machine and floor. Following are descriptions of the materials and their applications.

- 46 Grit Brush: Most aggressive grit brush. Used primarily to clean heavy buildup on concrete floors in factories, or for heavy stripping of finish.
- 80 Grit Brush: Medium aggressive grit brush. Good all-around brush for medium to heavy buildup removal. Can also be used for general stripping operations.
- 180 Grit Brush: Least aggressive grit brush. Used for daily cleaning of hard-finished floors.
- Polypropylene Brush: Standard equipment brush. Low cost, yet effective in cleaning many common floor surfaces.
- Stiff Nylon Brush: Cleaning action similar to polypropylene. More durable and wear-resistant than polypropylene.
- Soft Nylon Brush: Least aggressive brush available. Used on soft-finish floors where a more aggressive brush would leave scratch marks, or in applications requiring very light cleaning.

28" BRUSHES

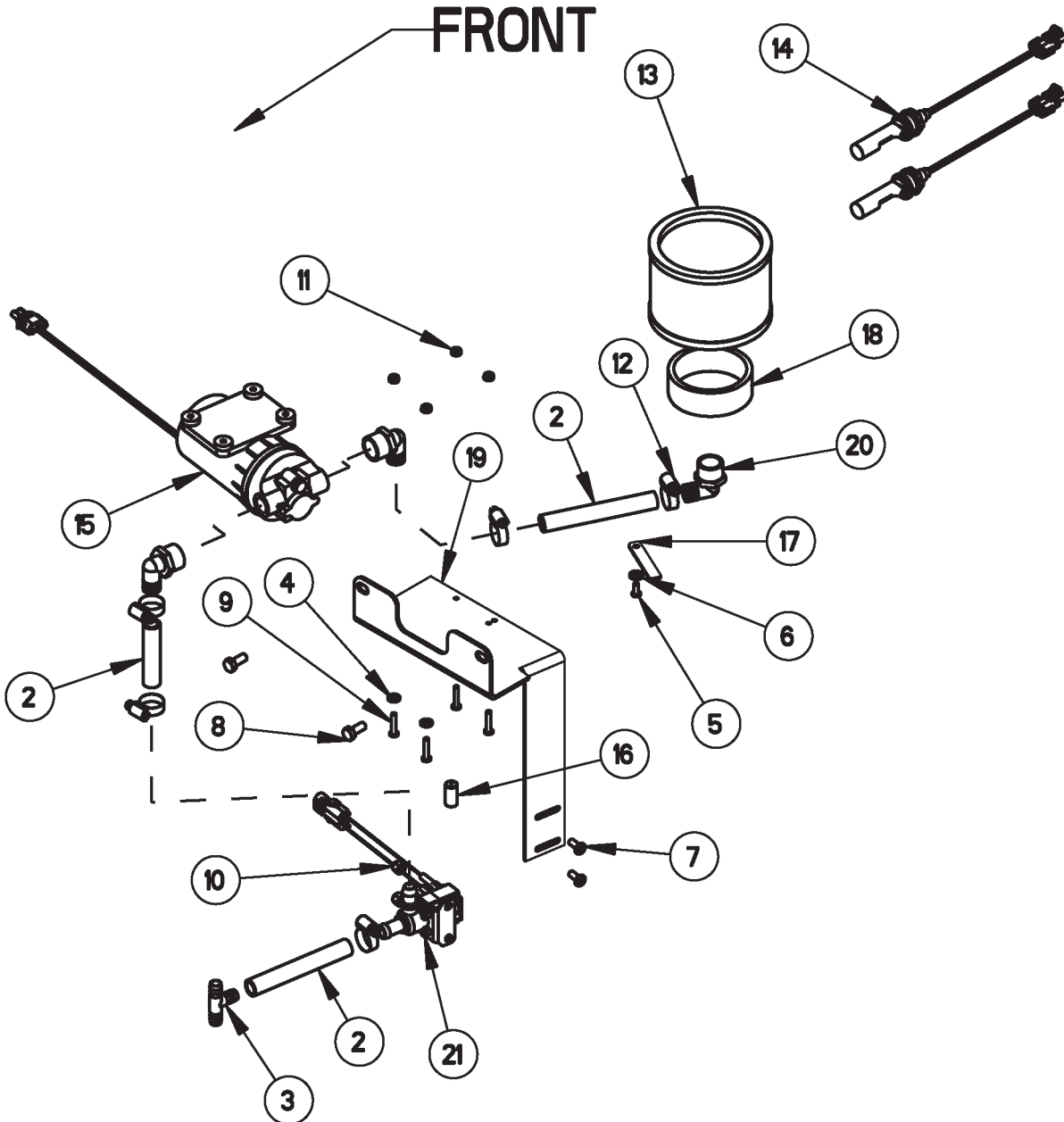
- 56412191 - Soft Nylon
- 56412192 - Hard Nylon
- 56412046 - Prolene
- 56412193 - 180 Grit
- 56412194 - 80 Grit
- 56412195 - 46 Grit

32" BRUSHES

- 56407473 - Soft Nylon
- 56407474 - Hard Nylon
- 56407475 - Prolene
- 56407476 - 180 Grit
- 56407477 - 80 Grit
- 56407478 - 46 Grit

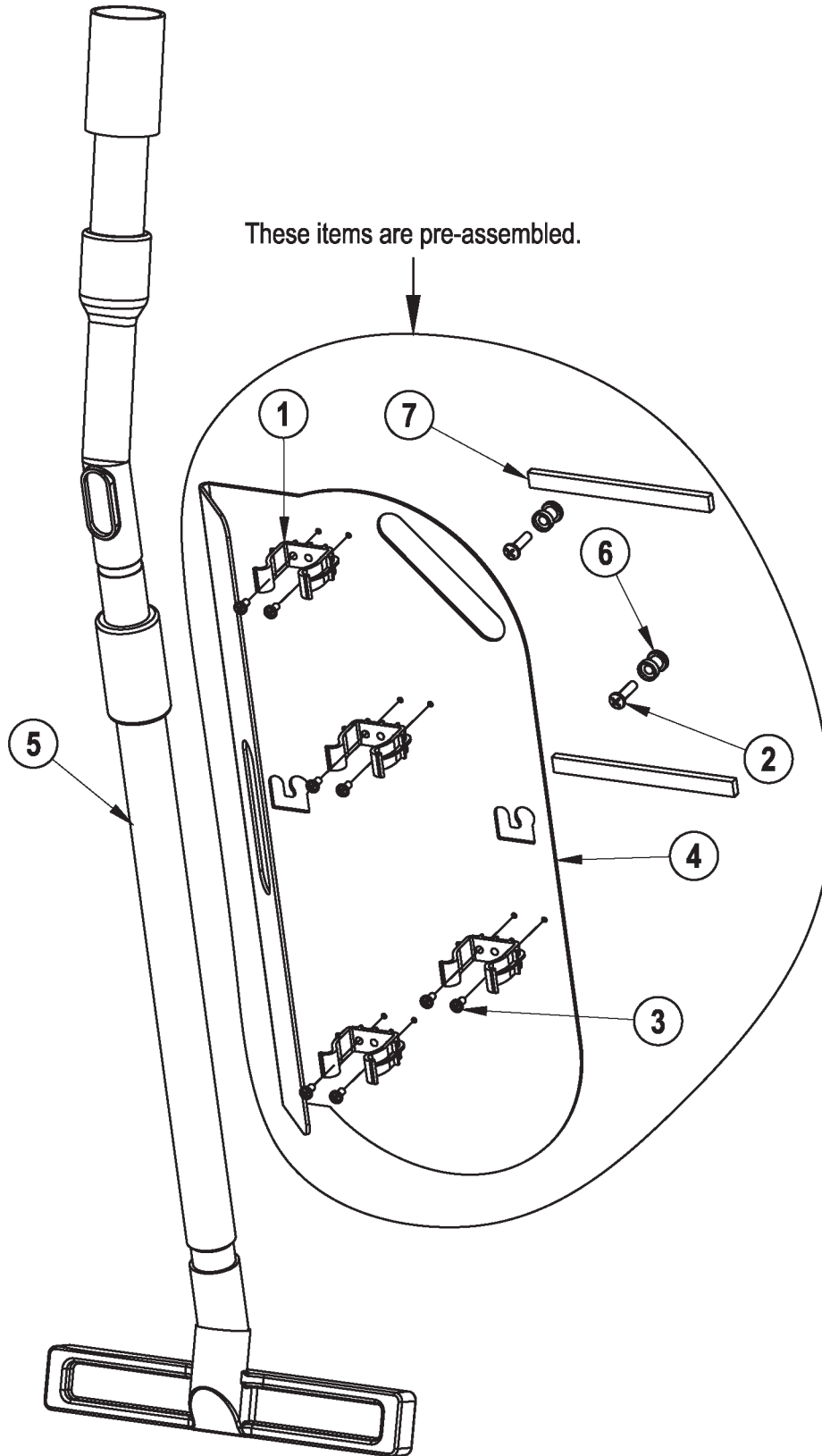
CYLINDRICAL BRUSH APPLICATION GUIDE (SUGGESTION ONLY)

Application	46 Grit	80 Grit	180 Grit	Polypropylene	Stiff Nylon	Soft Nylon
Stripping:						
Concrete	X	X				
Terrazzo	X	X				
Ceramic/Quarry tile		X				
Vinyl tile		X				
General Scrubbing:						
Concrete	X	X	X	X	X	
Terrazzo			X	X	X	X
Ceramic/Quarry tile			X	X	X	X
Marble			X		X	X
Vinyl tile			X	X	X	X
Raised-rubber tile			X			X



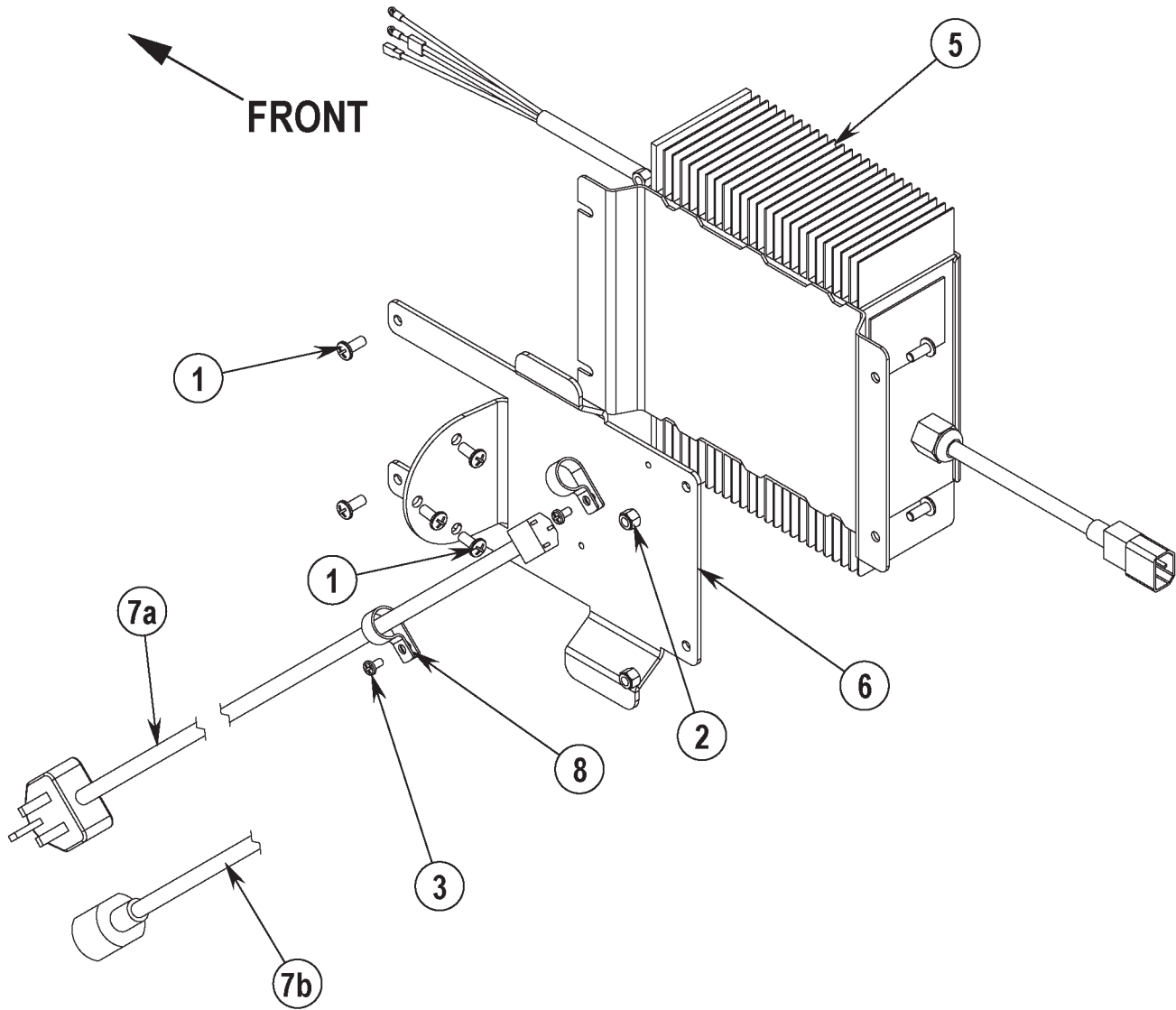
Item	Ref. No.	Qty	Description
	56315169	1	Extended Scrub Kit
*	56040856	1	Instruction Sheet
1	56260168	3	Hose, Nylon Braid
2	56262549	1	Tee, Barb
3	56001954	4	Wsh, Flt SAE #10
4	56001993	1	Scr, Pan Phil 10-24 X .50
5	56002053	1	Wsh, Flt Std #10
6	56002066	2	Scr, Pan Phil 1/4-20 X .62
7	56002667	2	Scr, Hex 5/16-18 X .75
8	56002674	4	Scr, Pan Phil 10-24 X 1.00
9	56002708	2	Nut, Hex Nyl Loc 1/4-20
10	56002832	4	Nut, Hex Nyl Loc-Thin 10-24
11	56040824	1	Instruction Sheet
12	56219932	5	Clamp, Hose SAE #6
13	56315094	1	Filter
14	56315096	2	Switch, Electromagnetic
15	56315107	1	Pump, 36VDC (M8)
16	56315200	1	Orifice, Extended Scrub
17	56315279	1	Bracket, Hose
18	56315292	1	PVC Tubing 1.5"
19	56315328	1	Bracket, Extended Scrub
20	56324035	3	Barb, 90 Elbow 1/2 X 3/4npt
21	56397215	1	Solenoid Valve Assy. 36v (L2)

* = Not Shown



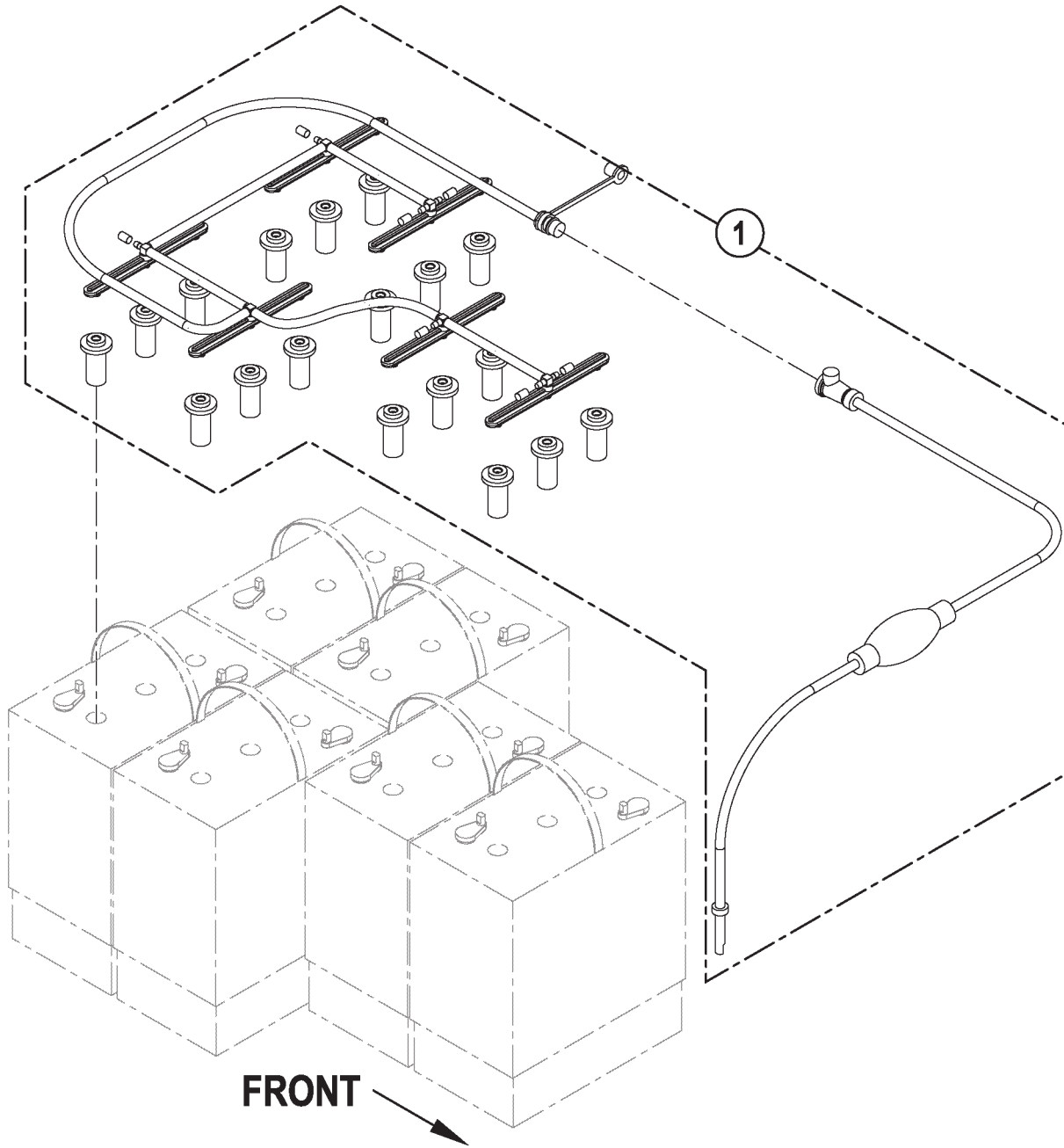
Item	Ref. No.	Qty	Description
	56315312	1	Squeegee Wand Kit
*	56040825	1	Instruction Sheet
1	56407361	4	Clamp, Plastic
2	56002292	2	Scr, Pan Phil 1/4-20x1.00
3	56009030	8	Scr, Pan Phil Thd Form 10-24x.38
4	56315232	1	Bracket, Wand
5	56315309	1	Scrub/Vac Wand & Hose
6	56315311	2	Spacer, Stepped
7	56315344	2	Gasket, 1/4x1/2x6

* = Not Shown



Item	Ref. No.	Qty	Description
	56315658	1	Battery Charger Kit – EUR
	56315665	1	Battery Charger Kit – UK
*	56040850	1	Instruction Sheet
1	56002066	7	Scr, Pan Phil ¼-20 x .62
2	56002708	4	Nut, Hex Nyl Loc ¼-20
3	56009030	2	Scr, Pan Phil Thd Form 10-24 x .38
5	56315204	1	Charger, Onboard 36V
6	56315206	1	Bracket, Charger
7a	56315664	1	Charger Cord – UK (56315665)
7b	56315271	1	Charger Cord – EURO (56315658)
8	56486112	2	Clamp, P

* = Not Shown



05-4

BATTERY WATERING KIT

BOOK E

05-5

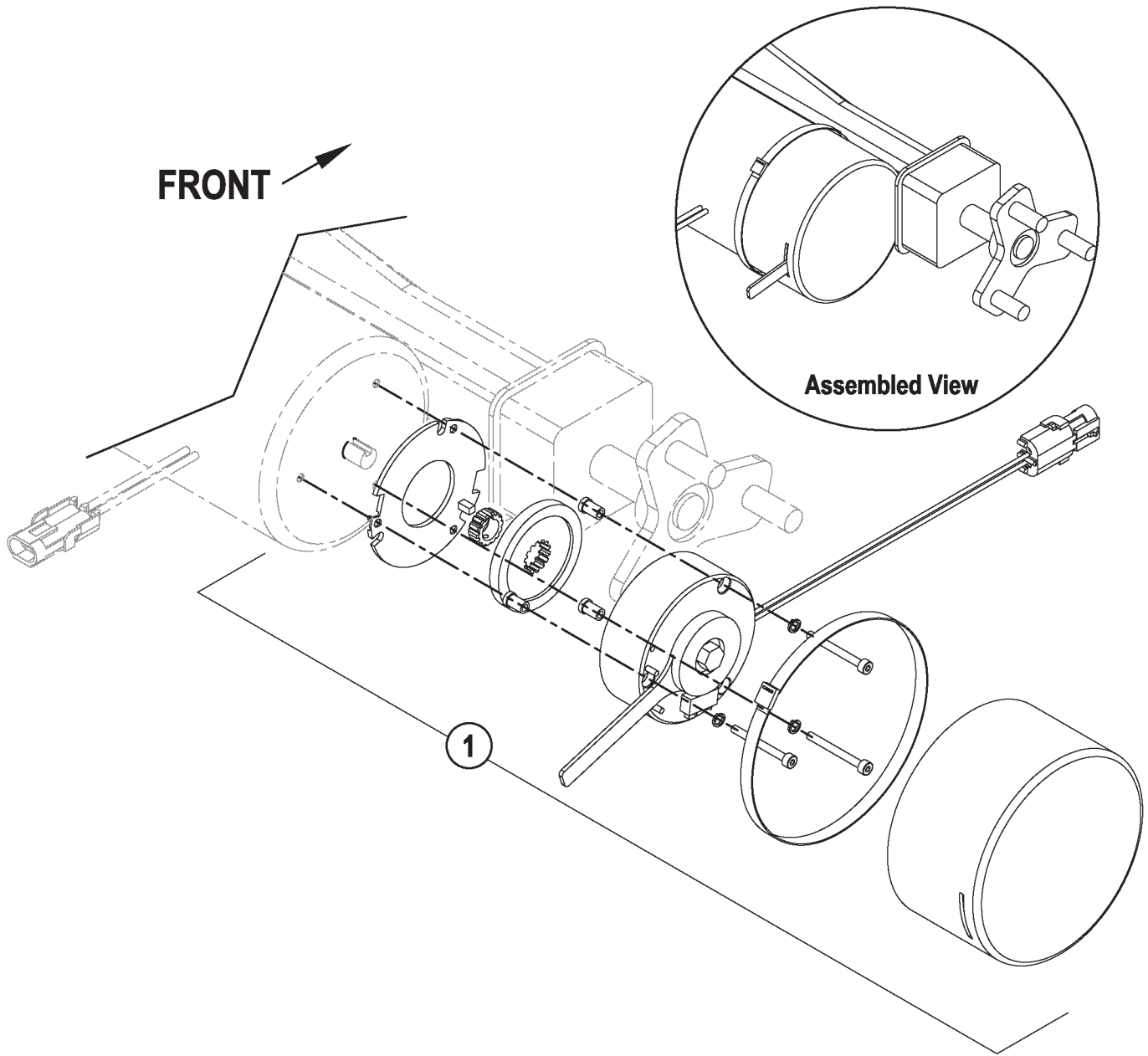
Warrior ST™, Warrior™ AXP / BA 755 series

E

16.6.1

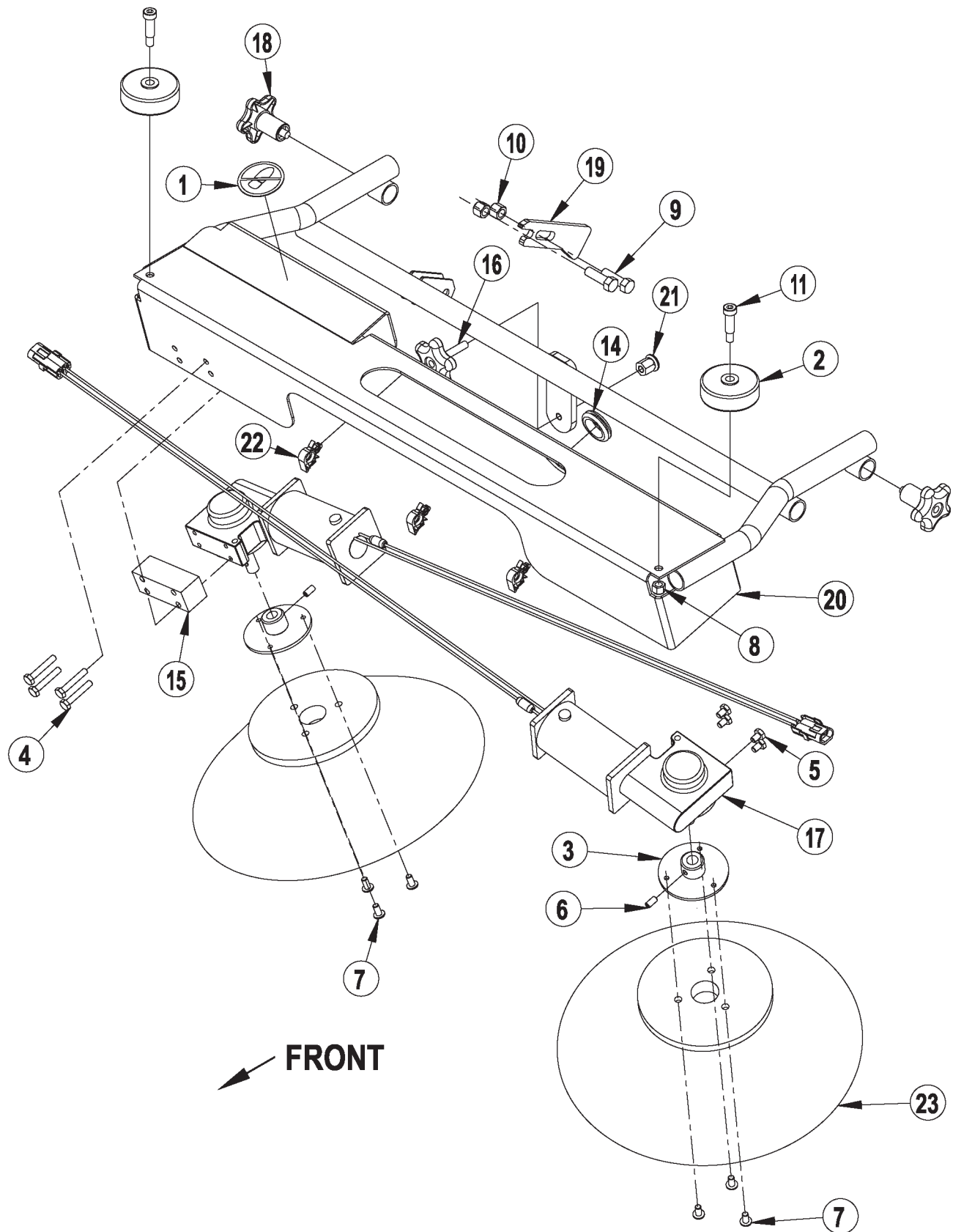
41

Item	Ref. No.	Qty	Description
	56314981	1	Battery Watering Kit
*	56040853	1	Instruction Sheet
1	56314974	1	Battery Watering System



05-4	ELECTROMAGNETIC BRAKE KIT	BOOK E		
05-5	Warrior ST™, Warrior™ AXP / BA 755 series	E	16.6.1	43

Item	Ref. No.	Qty	Description
	56315681	1	Electromagnetic Brake Kit
*	56040849	1	Instruction Sheet
1	56315623	1	Electromagnetic Brake



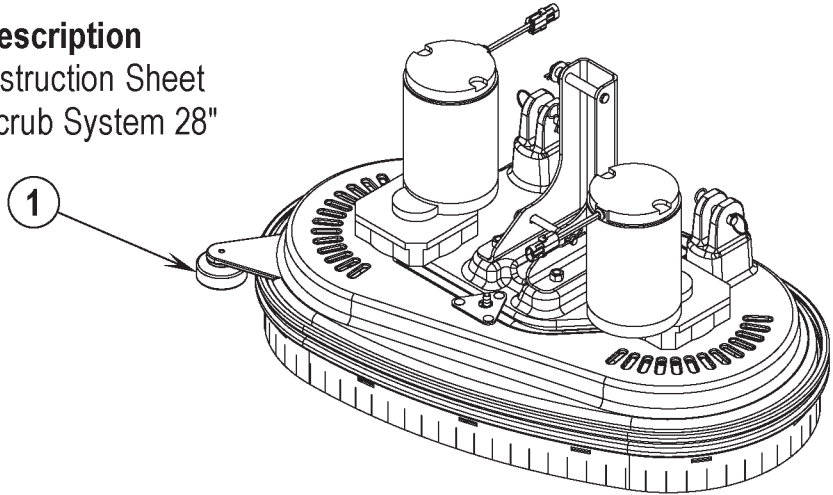
05-4	SIDE BROOM KITS	BOOK E		
05-8	Warrior ST™, Warrior™ AXP / BA 755 series	E	16.6.1	45

Item	Ref. No.	Qty	Description
	56315398	1	Side Broom Kit, 28"
	56315399	1	Side Broom Kit, 32"
*	56040864	1	Instruction Sheet
1	56016163	1	Decal, No Step
2	56324350	2	Wheel
3	56467522	2	Brush Holder
4	56001833	4	Scr, Hex 1/4-20 X 1.50
5	56001861	4	Scr, Hex 1/4-20 X .38
6	56002119	2	Scr, Soc Set Loc 1/4-20 X .50
7	56002145	6	Scr, Pan Phil 1/4-20 X .50
8	56002701	2	Nut, Hex Nyl Loc 5/16-18
9	56002881	2	Scr, Hex SS 3/8-16 X 1.25
10	56003219	2	Nut, Hex Nyl Loc SS 3/8-16
11	56003472	2	Scr, Soc Shd .38 X 1.00 X 5/16-18
12	56015273	2	Decal, Red
13	56015274	2	Decal, Yellow
14	56055434	1	Grommet
15	56315365	1	Spacer
16	56315374	1	Knob, 5/16
17	56315383	2	Motor And Gear Unit, 24v
18	56315390	2	Knob, Threaded, With Bushing
19	56315392	1	Bracket, Transport
20	56315393	1	Weldment, Side Broom 28
	56315368	1	Weldment, Side Broom 32
21	56315397	1	Swivel Pad
22	56386407	3	Clip, Conduit
23	56475179	2	Broom, Side 13"

* = Not Shown

56315669 28" Disk Deck Kit 36V

Item	Ref. No.	Qty	Description
*	56040847	1	Instruction Sheet
1	NA	1	Scrub System 28"



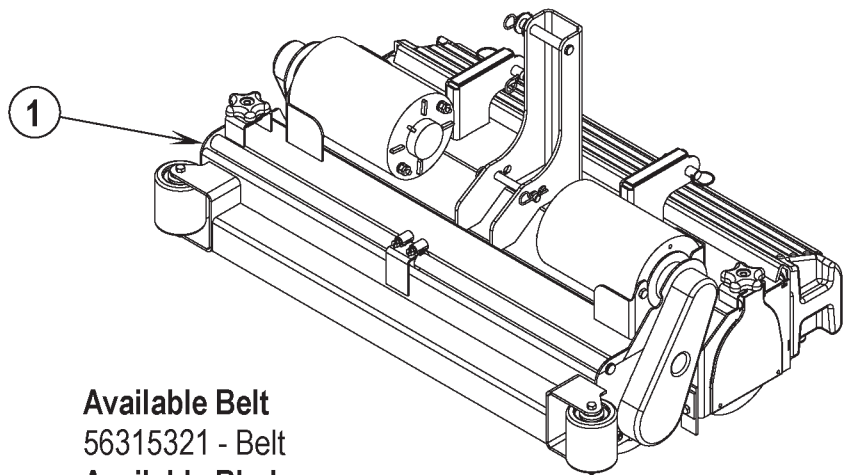
Compatible Scrub Brushes

- 56505800 - Short Trim Padholder
- 56505801 - MagnaGrit
- 56505802 - DynaGrit
- 56505803 - AgLite
- 56505804 - Prolene
- 56505805 - ProLite
- 56505806 - Union Mix
- 56505807 - MidGrit
- 56505808 - MidLite

- Available 28" Disk Deck Skirt**
56315274 - Skirt, Neoprene 24
- Available 28" Disk Deck Bumper**
56315318 - Bumper

56315671 28" Cylindrical Deck Kit 36V

Item	Ref. No.	Qty	Description
*	56040847	1	Instruction Sheet
1	NA	1	System, Scrub 28" Cyl.



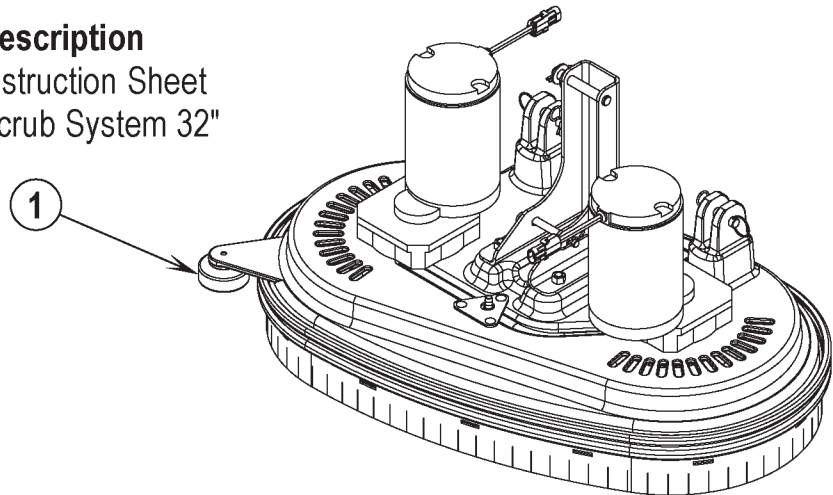
Compatible Scrub Brushes

- 56412191 - Soft Nylon
- 56412192 - Hard Nylon
- 56412046 - Prolene
- 56412193 - 180 MidLite
- 56412194 - 80 DynaGrit
- 56412195 - 46 MagnaGrit

- Available Belt**
56315321 - Belt
- Available Blade**
56407391 - Blade

56315670 32" Disk Deck Kit 36V

Item	Ref. No.	Qty	Description
*	56040847	1	Instruction Sheet
1	NA	1	Scrub System 32"

**Compatible Scrub Brushes**

56505830 - Short Trim Padholder
 56505831 - MagnaGrit
 56505832 - DynaGrit
 56505833 - AgLite
 56505834 - Prolene
 56505835 - ProLite
 56505836 - Union Mix
 56505837 - MidGrit
 56505838 - MidLite

Available 32" Disk Deck Skirt

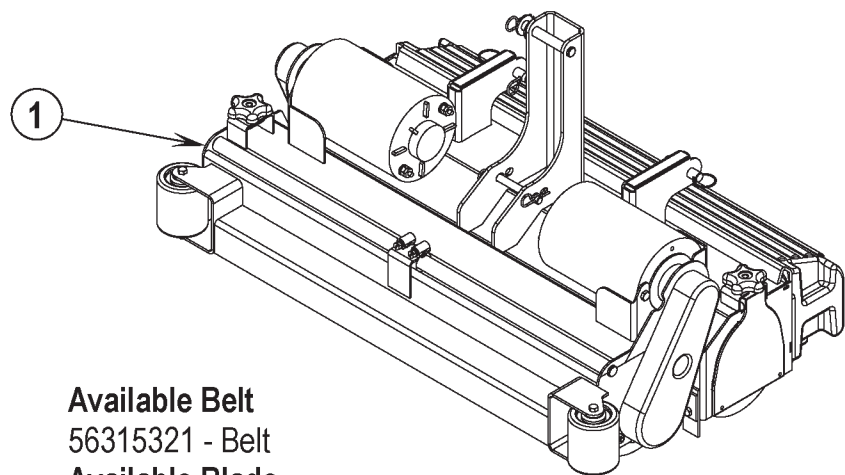
56315626 - Skirt, Neoprene 32

Available 32" Disk Deck Bumper

56315627 - Bumper

56315672 32" Cylindrical Deck Kit 36V

Item	Ref. No.	Qty	Description
*	56040847	1	Instruction Sheet
1	NA	1	System, Scrub 32" Cyl.

**Compatible Scrub Brushes**

56407473 - Soft Nylon
 56407474 - Hard Nylon
 56407475 - Prolene
 56407476 - 180 MidLite
 56407477 - 80 DynaGrit
 56407478 - 46 MagnaGrit

Available Belt

56315321 - Belt

Available Blade

56407391 - Blade

Austria (Sales Sub)

Nilfisk-Advance GmbH Phone: +43
Voralberger Allee 46 1616 58 30 22
A-1230 Wien Fax: +43
info@nilfisk-advance.at 1616 58 30 40
www.nilfisk-advance.at

Belgium (Sales Sub)

Nilfisk-Advance NV/SA Phone: +32
Doornveld Sphere Business Park (0)2467 60 50
Industrie Asse 3, No. 11 Fax: +32
B-1731 Zellik-Asse (0)2463 44 16
www.nilfisk-advance.be

Czech Republic (Sales Sub)

Nilfisk-Advance s.r.o. Phone: +420
Lysinská 44/1863 2 44 09 09 12
143 00 Praha - Modrany +420
Czech Republic 2 44 09 09 21 4
Fax: +420
2 44 40 23 93

Denmark

Nilfisk-Advance A/S Phone: +45
Sognevej 25 43 23 81 00
DK-2605 Brøndby Fax: +45
mail@nilfisk-advance.dk 43 43 77 00
www.nilfisk-advance.com

Denmark (Prod. Sub)

Gerni A/S Phone: +45
Myntevej 2 89 12 22 00
DK-8900 Randers Fax: +45
www.gerni.com 86 43 14 81

Denmark (Sales Sub)

Nilfisk-Advance Nordic A/S Phone: +45
Sognevej 25A 43 23 40 50
Postbox 344 Fax: +45
DK-2605 Brøndby 43 23 40 60
kundeservice@nilfisk-advance.dk
www.nilfisk-advance.dk

France (Sales Sub)

Nilfisk-Advance S.A. Phone: +33
27 avenue de la Baltique 1695 98 700
Villebon sur Yvette Fax: +33
P.B. 246 1695 98 701
F-91944 Courtaboeuf Cedex
info@nilfisk-advance.fr
www.nilfisk-advance.fr

Germany (Sales Sub)

Nilfisk-Advance AG Phone: +49
Siemensstrasse 25-27 4101 3990
Postfach 1361 Fax: +49
D-25462 Rellingen 4101 39 91 91
info@nilfisk-advance.de
www.nilfisk-advance.de

Greece (Sales Sub)

Nilfisk-Advance A.E. Tel.: +30
8, Thoukididou Str. 210 963 3443
Argioupoli Fax: +30
Gr - 164 52 Athens 210 965 0975
Greece

Holland (Sales Sub)

Nilfisk-Advance B.V. Phone: +31
Camerastraat 9 (2e verdieping) 36 546 07 00
1322 BB Almere Fax: +31
Postbus 60112 36 523 51 48
1320 AC Almere
www.nilfisk-advance.nl

Ireland (Sales Sub)

Nilfisk-Advance Limited Phone: +35
28 Sandyford Office Park 3 12 94 38 38
Sandyford, Dublin 18 Fax: +35
Ireland 3 12 94 38 45

Italy (Prod & Sales Sub)

CFM SpA Phone: +39
Nilfisk-Advance Div. Guardamiglio 0377 /414021
Localita Novella III /45 1124
I-26862 Guardamiglio (Mi) Fax: +39
0377 51 443

Italy (Prod & Sales Sub)

CFM S.p.A. Phone: +39
Via Porrettana 1991 059 973 0000
I-41059 Zocca (Modena) Fax: +39
cfm@cfm.it 059 973 0099

Norway (Sales Sub)

Nilfisk-Advance AS Phone: +47
Ulvenveien 89C 23 06 75 00
N-0581 Oslo Fax: +47
23 06 75 01

Poland (Sales Sub)

Nilfisk-Advance Sp.Z.O.O. Phone: +48
05-800 Pruszków 22 738 37 50
ul. 3-go MAJA 8 Fax: +48
Poland 22 738 37 51

Portugal (Sales Sub)

Nilfisk-Advance, Lda. Phone: +35
Sintra Business Park 121 911 2670
Zona Industrial Da Abrunheira Fax: +35
Edificio 1, 1o A 121 911 2679
P-2710-089 Sintra

Russia (Sales Sub)

Nilfisk-Advance LLC Phone: 7
Vyatskaya str. 27, bld. 7 095 783 9602
127015 Moscow Fax: +7
Russia 095 783 9603

Spain (Sales Sub)

Nilfisk-Advance S.A. Phone: +34
Torre D'Ara 93 741 2400
Passeig del Rengle, 5 Pl.10 Fax: +34
E-08302 Mataró (Barcelona) 93 757 8020
nilfisk@nilfisk-advance.es

Sweden (Sales Sub)

Nilfisk -Advance A/S Phone: +46
Sjöbjörnsvägen 5 8555 94400
Box 44045 Fax: +46
S-100 73 Stockholm 8555 94430
info@nilfisk-advance.se
www.nilfisk-advance.se

Sweden (Prod.)

Nilfisk-Advance A/S	Phone: +46
Åmål Branch	5321 7500
Strömsbergsgatan	Fax: +46
Box 127	5321 7595
S-662 23 Åmål	

Switzerland (Sales Sub)

Nilfisk-Advance AG	Phone: +41
Ringsstrasse 19	71 92 38 444
Kirchberg/Industrie Stelzl	Fax: +41
CH-9500 Wil	71 92 35 283

www.nilfisk-advance.ch

UK (Sales Sub)

Nilfisk-Advance Limited	Phone: +44
Newmarket Road	1284 763163
Bury St. Edmunds	Fax: +44
UK-Suffolk IP33 3SR	1284 750 562

USA (Prod.)

Nilfisk-Advance Inc.	Phone: +1 763
14600 21.st Avenue North	745 3500
Plymouth, MN 55447-3408	Fax: +1 763
www.mn.nilfisk-advance.com	745 3718

USA (Sales Sub)

Nilfisk-Advance America Inc.	Phone: +1 610
300 Technology Drive	647 6420
Malvern, PA 19355	Fax: +1 610
www.pa.nilfisk-advance.com	647 6427

Canada (Sales Sub)

Nilfisk-Advance Canada Comp.	Phone: + 1 905
396 Watline Avenue	712 3260
Mississauga, Ontario L4Z 1X2	Fax: +1 905
	712 3255

Australia (Sales Sub)

Nilfisk-Advance Pty. Ltd.	Phone: +61(0)2
48 Egerton Street	9648 2700
Silverwater, NSW 2128	Fax: +61(0)2
Postal adresse:	9648 2711
PO Box 6046	
Silverwater. NSW 1811	
info@nilfisk-advance.com.au	
www.nilfisk-advance.com.au	

China (Shenzhen)

Nilfisk-Advance (Shenzhen) Ltd	Phone: +86 755
Blok 3, Unit 130, 1001 Honghua Road	8359 7937 el.
Int. Commercial & Trade Center	8359 7939-42
Fuitian Free Trade Zone	Fax: +86 755
518038 Shenzhen	8359 1063
P.R. China	

China (Suzhou)

Nilfisk-Advance Professional	Phone: +86 512
Cleaning Equipment (Suzhou) Co. Ltd.	8918 5656
306 Su Hong Zhong Road, Build. 2	Fax: +86 512
Suzhou Industrial Park	8918 5666
215021 Suzhou	
P.R. China	

Hong Kong (Sales Sub)

Nilfisk-Advance Ltd.	Phone: +852
2001 HK Worsted Mills Ind'l Bldg.,	2427 5951
31-39 Wo Tong Tsui St.	Fax: +852
Kwai Chung, Hong Kong	2487 5828

Japan (Sales Sub)

Nilfisk-Advance Inc.	Phone: +8145
3-17-40-101 Chigasaki Higashi	942 7741
Tsuzuki-ku, Yokohama 224-0033	Fax: +8145
Japan	942 6545

Malaysia (Sales Sub)

Nilfisk-Advance Sdn Bhd	Phone: +60 3
No. 21, Jalan SS 25/41	7956 8188
Mayang Industrial Park	Fax: +60 3
47301 Petaling Jaya	7966 6828
Selangor, Malaysia	

New Zealand (Sales Sub)

Nilfisk-Advance Limited	Phone: +64(0)9
Danish House	525 0092
6 Rockridge Avenue	Fax: +64(0)9
Penrose 92-829	525 6440
Auckland1135	
Postal adresse:	
Private Bag 92 825	
Auckland	
New Zealand	

Singapore (Sales Sub)

Nilfisk-Advance Pte. Ltd.	Phone: + 65
22,Woodlands Industrial Park E1	6 7599100
Singapore 757740	Fax: +65
sales@nilfisk-advance.com.sg	7599133

Taiwan, ROC (Sales Sub)

Nilfisk-Advance Ltd.	Phone: +886
Taiwan Branch (H.K.)	2 2239 8812
1F, No. 193, Sec.2	Fax: +886
Xing Long Rd., Taipei	2 2239 8832
Taiwan, R.O.C.	

Thailand (Sales Sub)

Nilfisk-Advance Co. Ltd.	Phone: +66 2
89 Soi Chokechai-Ruammitr	275-5630
Viphavadee-Rangsit Road	Fax: +66 2
Ladyao, Jatuchak, Bangkok 10900	691-4079
Thailand	

