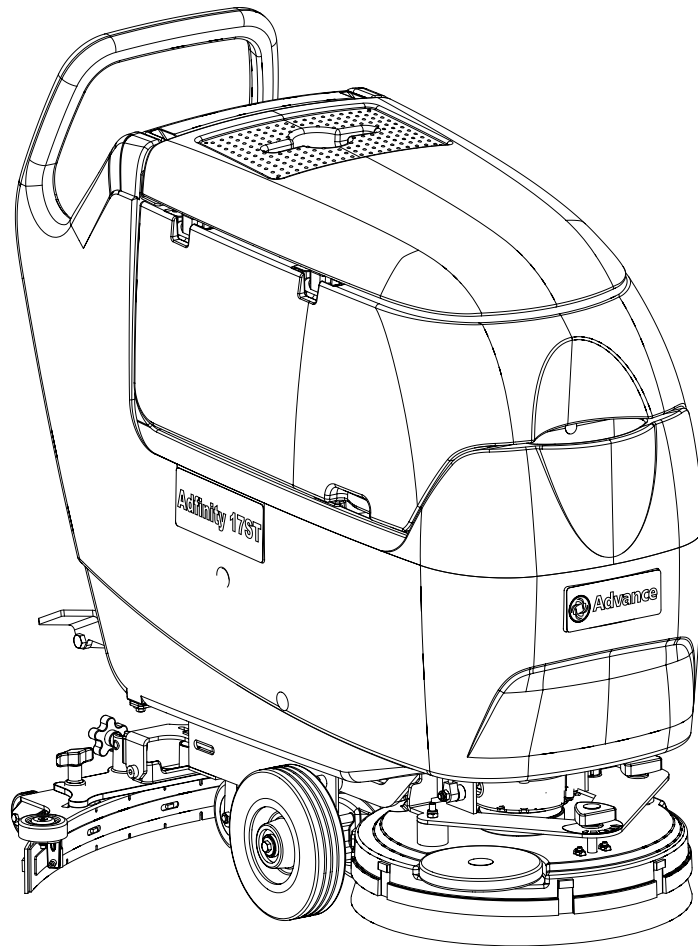


# Adfinity™ 17ST / 20ST

---



## PARTS LIST

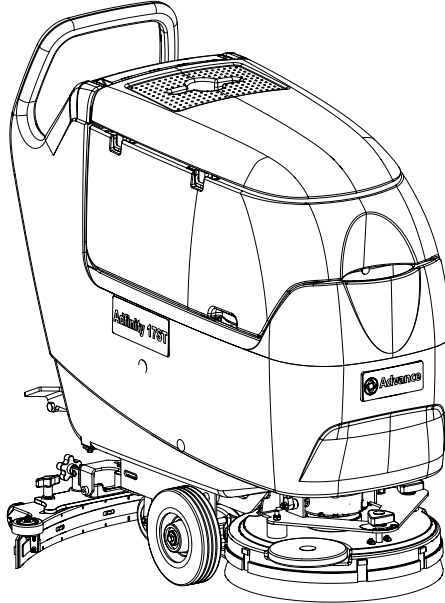
Advance models: 908 7161 020  
908 7162 020



**Advance**  
by Nilfisk-Advance

9096913000(1)2007-01





## DESCRIPTION

## PLAN

GENERAL VIEW	2 - 3
SOLUTION TANK	4 - 5
RECOVERY TANK	6 - 7
CHASSIS SYSTEM	8 - 9
WHEELS SYSTEM	10 - 11
SOLUTION SYSTEM	12 - 13
SQUEEGEE SYSTEM	14 - 15
BRUSH SYSTEM ADFINITY 17ST	16 - 17
BRUSH SYSTEM ADFINITY 20ST	18 - 19
SPLASH GUARD	20 - 21
ACCESSORIES	22 - 25
CONTROL PANEL SYSTEM	26 - 27
ELECTRICAL COMPONENTS	28 - 29
WIRING DIAGRAM	30
RECOMMENDED SPARE PARTS	31 - 32
OPTIONAL	33

### WHEN ORDERING PARTS

- \* Use the 8, 9 or 10 digit numbers from the "Ref. No." columns in this parts list.
- \* Specify the model and serial number of the machine.
- \* Use the space below to record the model and serial number for future reference.

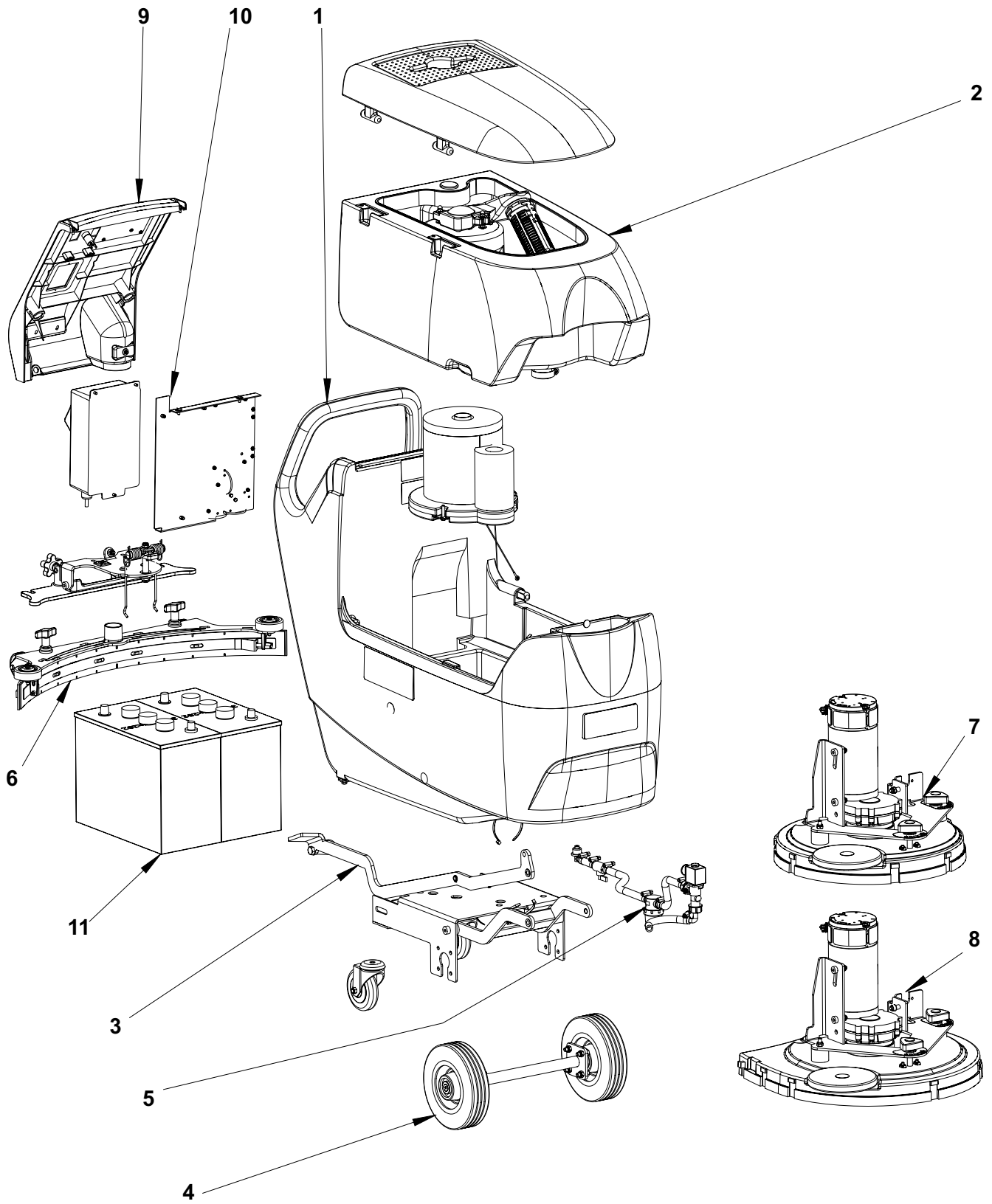
Model \_\_\_\_\_ Serial No. \_\_\_\_\_

**\* = Optional**

**# = Modified item No. or New item No.**

**[] = Not shown**

**xxxxxx = Contained in a Kit**



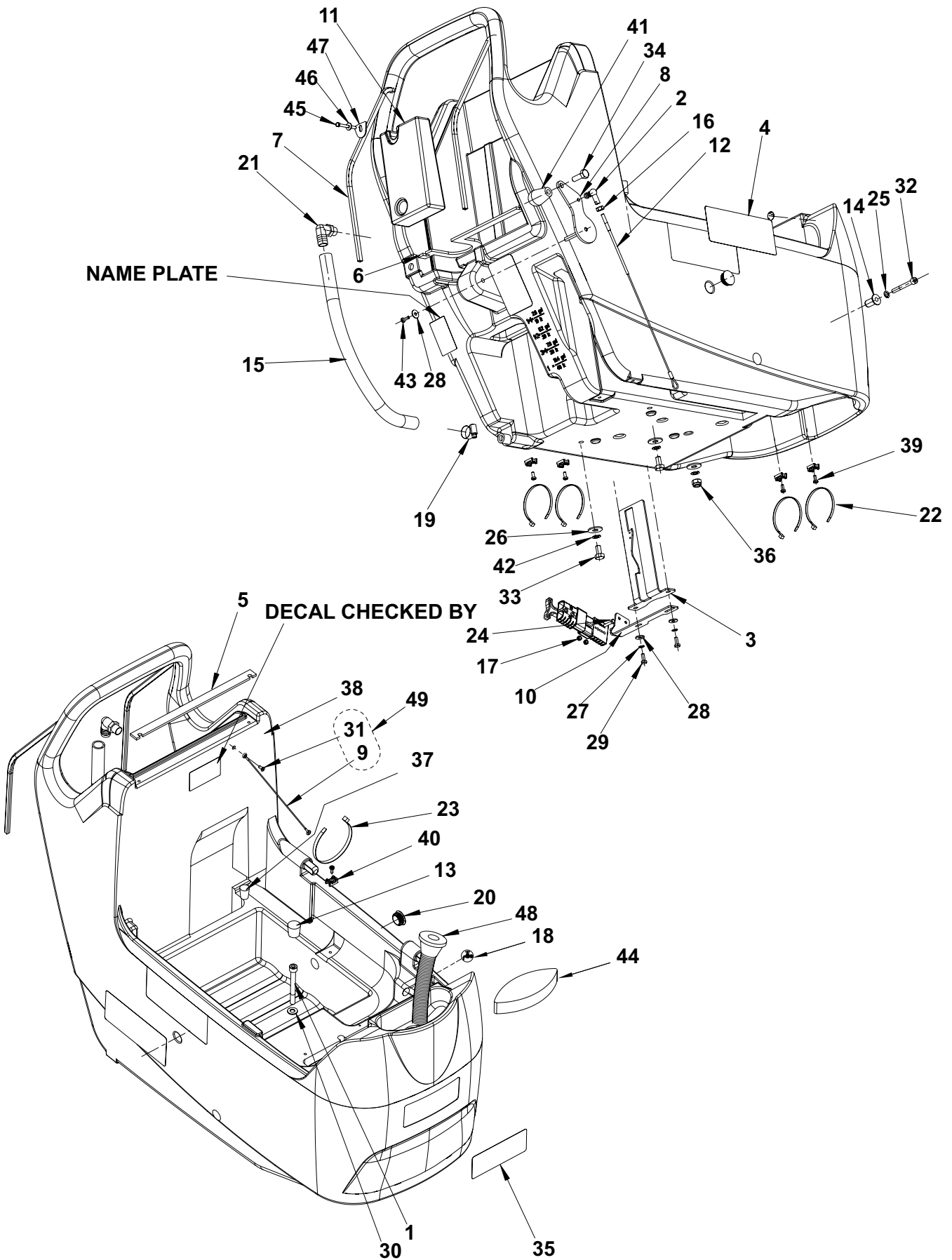
2007-01

**GENERAL VIEW**

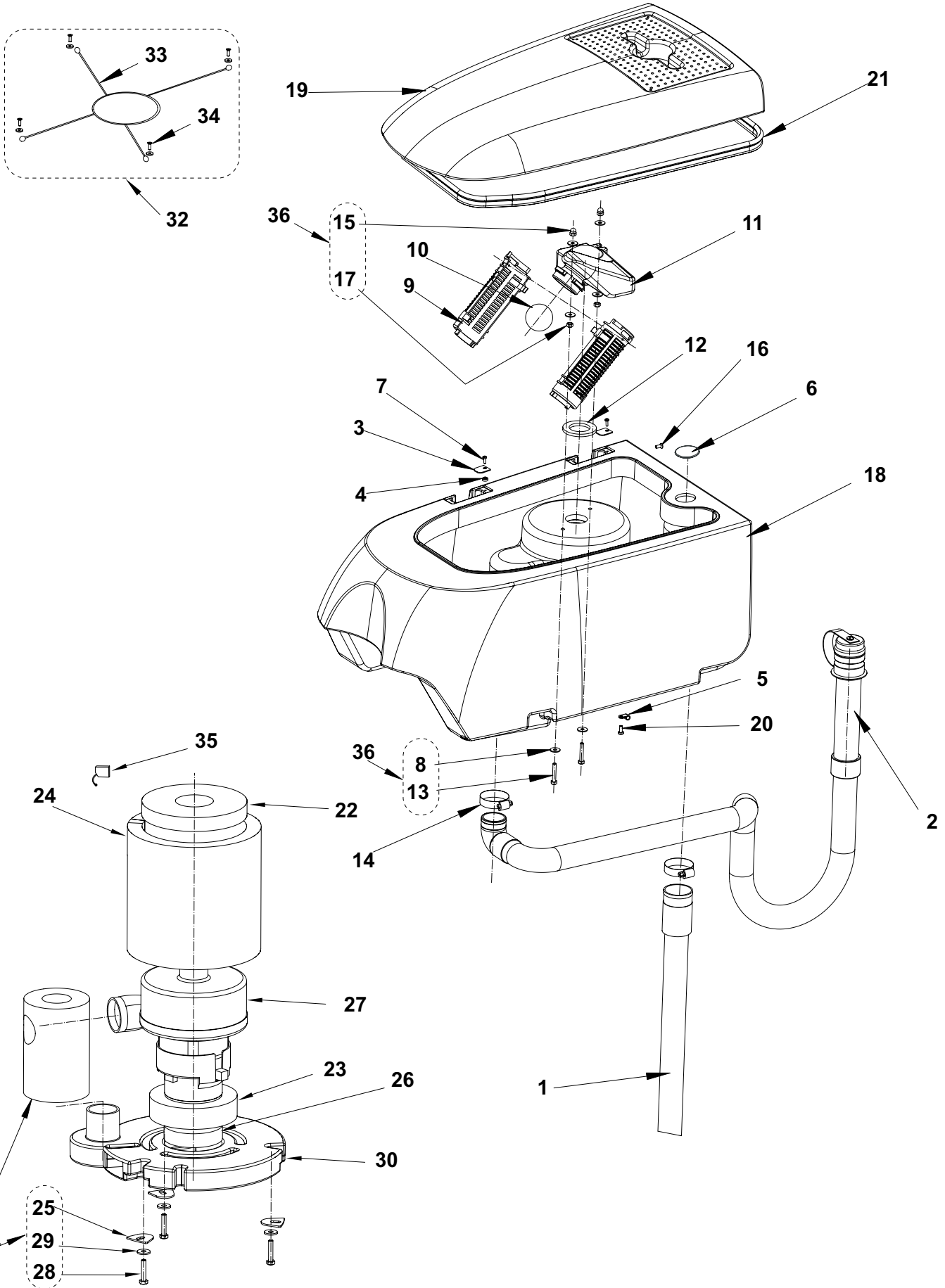
**Adfinity™ 17ST / 20ST**

**3**

Item No.	Ref. No.	Qty	Description
1		1	SOLUTION TANK
2		1	RECOVERY TANK
3		1	CHASSIS SYSTEM
4		1	WHEELS SYSTEM
5		1	SOLUTION SYSTEM
6		1	SQUEEGEE SYSTEM
7		1	BRUSH SYSTEM ADFINITY 17ST
8		1	BRUSH SYSTEM ADFINITY 20ST
9		1	CONTROL PANEL SYSTEM
10		1	ELECTRICAL COMPONENTS
11		1	BATTERY ASSEMBLY

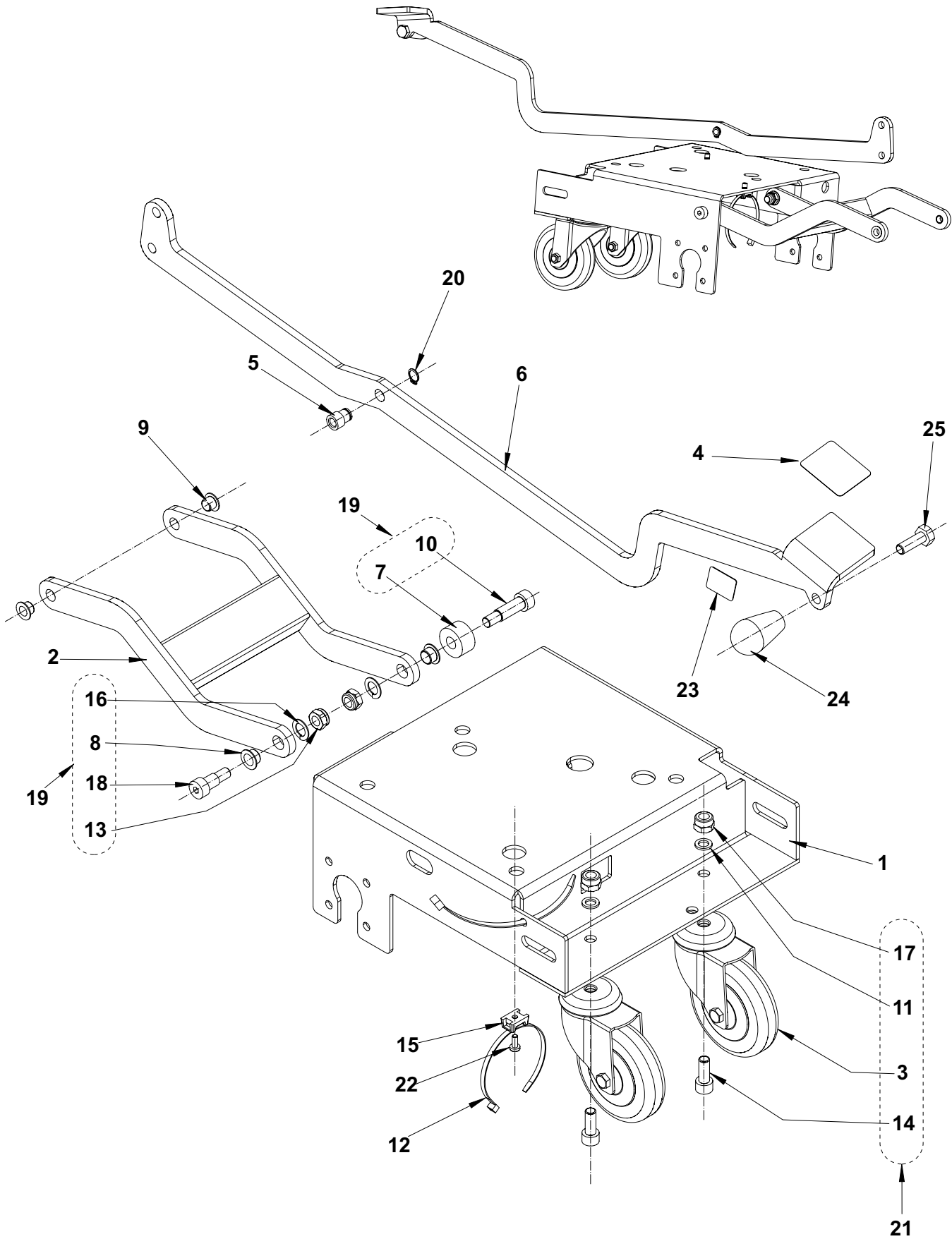


Item No.	Ref. No.	Qty	Description
1	xxx xxxx xxx	1	SCREW M10X90 (SEE HARDWARE TANK SYSTEM KIT)
2	145 8479 000	1	DOWEL M6
3	909 6550 000	1	PEDAL SUPPORT
4	909 6864 000	2	DECAL ADVANCE ADFINITY 17ST
4	909 6865 000	2	DECAL ADVANCE ADFINITY 20ST
5	909 6596 000	1	GASKET
6	909 6597 000	1	GASKET
7	909 6892 000	2	GASKET
8	909 6633 000	1	SQUEEGE LIFTING LEVER
9	xxx xxxx xxx	1	CABLE TANK BLOCK (SEE CABLE TANK KIT)
10	909 6649 000	1	BRACKET CONNECTOR SUPPORT
11	909 6841 000	1	WEIGHT
12	909 6662 000	1	SQUEEGEE LIFTING CABLE
13	909 6673 000	1	CAP BLACK
14	xxx xxxx xxx	1	BUSHING (SEE HARDWARE TANK SYSTEM KIT)
15	909 6681 000	1	HOSE CLEAN WATER
16	33005502	1	NUT HEX M6
17	xxxxxxx	2	NUT HEX SELF LOCK M5 (SEE HARDWARE TANK SYSTEM KIT)
18	08603795	1	DECAL WATER FAUCET
19	08603916	1	CLAMP
20	08812457	2	TANK LOCKING CAP
21	56264442	1	FITTING PIPE
22	145 0524 000	4	PASSRING
23	145 0541 000	2	CLAMP
24	33003964	2	SCREW HEX HD M5X25
25	xxxxxxx	1	WASHER SPLIT 8 (SEE HARDWARE TANK SYSTEM KIT)
26	xxxxxxx	3	WASHER FLAT 10X30 SS (SEE HARDWARE TANK SYSTEM KIT)
27	xxxxxxx	2	WASHER SPLIT 6 (SEE HARDWARE TANK SYSTEM KIT)
28	xxxxxxx	3	WASHER FLAT 6X18 (SEE HARDWARE TANK SYSTEM KIT)
29	xxxxxxx	2	SCREW HEX. HD M6X16 (SEE HARDWARE TANK SYSTEM KIT)
30	xxxxxxx	1	WASHER FLAT (SEE HARDWARE TANK SYSTEM KIT)
31	xxx xxxx xxx	1	SCREW HEX HD 5X12 (SEE CABLE TANK KIT)
32	xxxxxxx	1	SCREW M8X60 (SEE HARDWARE TANK SYSTEM KIT)
33	xxx xxxx xxx	2	SCREW HEX HD M10X20 SS (SEE HARDWARE TANK SYSTEM KIT)
34	33004010	1	SCREW HEX HD M10X30
35	909 6872 000	1	RECTANGULAR ADVANCE DECAL
36	xxx xxxx xxx	1	NUT HEX HIGH SELF LOCK M10 (SEE HARDWARE TANK SYSTEM KIT)
37	909 6236 000	1	BLACK CAP
38	909 6320 000	1	SOLUTION TANK 35L
39	909 6337 000	5	SCREW CYL HD M5X12
40	909 6595 000	5	FLAT TIE HOLDER
41	909 6621 000	1	KNOB
42	xxxxxxx	3	WASHER (SEE HARDWARE TANK SYSTEM KIT)
43	xxx xxxx xxx	1	SCREW CYL HD M5X16 (SEE HARDWARE TANK SYSTEM KIT)
44	909 6650 000	1	SPONGE FOR WATER
45	08812886	1	SCREW HEX. HD M5X50
46	146 1261 000	1	WASHER
47	909 6638 000	1	PLATE VACUUM COVER
48*	909 5327 000	1	FILLING HOSE
49	909 6874 000	1	CABLE TANK KIT (9-31)
[50]	909 6875 000	1	HARDWARE TANK SYSTEM KIT (1,14,17,25,26,27, 28,29,30,32,33,36,42,43)

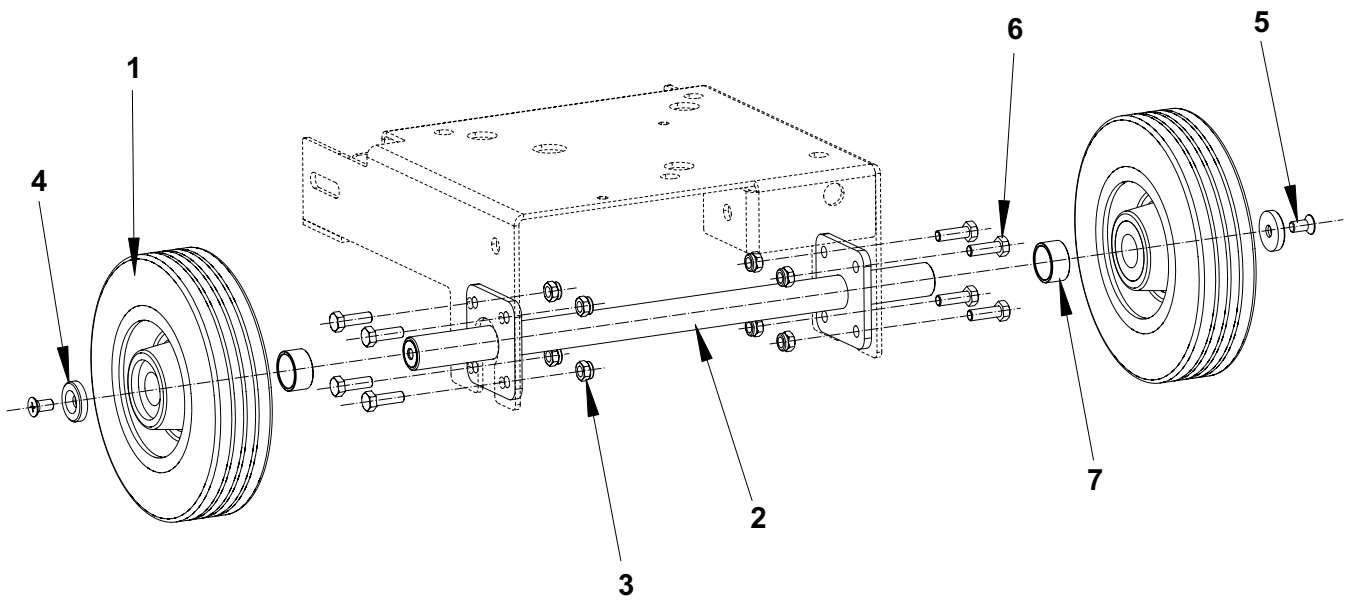




Item No.	Ref. No.	Qty	Description
1	909 6230 000	1	HOSE SQUEEGEE VACUUM
2	909 6528 000	1	DRAIN HOSE
3	909 6643 000	2	PLATE TANK COVER
4	909 6679 000	1	BUSH FLANGED
5	08239900	1	CLAMP
6	909 6899 000	1	PLUG D.4
7	08812804	2	SCREW CYL HD THD FORM M3,9X12
8	xxxxxxx	6	WASHER FLAT 6X18 SS (SEE RECOVERY TANK HARDWARE KIT)
9	56324497	2	CAGE, FLOAT COMPLETE
10	56391690	1	FLOATING BALL
11	08812926	1	HOLDER FLOAT CAGE
12	08812968	1	GASKET
13	xxx xxxx xxx	2	SCREW HEX HD M6X40 SS (SEE RECOVERY TANK HARDWARE KIT)
14	145 0543 000	2	CLAMP
15	xxx xxxx xxx	2	BLIND NUT M6 SS (SEE RECOVERY TANK HARDWARE KIT)
16	33005124	1	SCREW HEX HD 5X12
17	xxx xxxx xxx	2	NUT HEX M6 SS (SEE RECOVERY TANK HARDWARE KIT)
18	909 6321 000	1	RECOVERY TANK 35L
19	909 6322 000	1	TANK COVER 35L
20	909 6337 000	1	SCREW CYL HD M5X12
21	909 6901 000	1	GASKET L=1640MM
22	9096918000	1	GASKET VACUUM MOTOR
23	909 6490 000	1	GASKET VACUUM MOTOR
24	909 6491 000	1	ACOUSTIC INSULATION PANEL
25	xxx xxxx xxx	3	PLATE VACUUM COVER (SEE VACUUM MOTOR HARDWARE KIT)
26	909 6672 000	1	FILTER
27	909 6802 000	1	MOTOR VACUUM W/CONNECTOR KIT
28	xxxxxxx	1	SCREW HEX HD M6X30 (SEE VACUUM MOTOR HARDWARE KIT)
29	xxxxxxx	3	WASHER FLAT 6X18 (SEE VACUUM MOTOR HARDWARE KIT)
30	909 6051 000	1	VACUUM MOTOR COVER
31	909 6442 000	1	ACOUSTIC INSULATION PIPE
32*	909 6734 000	1	RUBBER BAND KIT (33,34)
33*	xxx xxxx xxx	1	RUBBER BAND (SEE RUBBER BAND KIT)
34*	xxxxxxx	4	SCREW CYL. HD 4X14 THD (SEE RUBBER BAND KIT)
35	909 5371 000	2	CARBON BRUSH
36	909 6876 000	1	RECOVERY TANK HARDWARE KIT (8,13,15,17)
37	909 6877 000	1	VACUUM MOTOR HARDWARE KIT (25,28,29)



Item No.	Ref. No.	Qty	Description
1	909 6482 000	1	CHASSIS 35LT
2	909 6486 000	1	LEVER DEXCK LIFTING
3	xxx xxxx xxx	2	WHEEL CASTOR (SEE WHEEL REAR CASTOR KIT)
4	909 6539 000	1	ANTISKID MAT
5	909 6540 000	1	BUSH FLANGED
6	909 6549 000	1	PEDAL BRUSH LIFTING
7	xxx xxxx xxx	1	SPACER D 12,2X30X16,5 (SEE CHASSIS SYSTEM HARDWARE KIT)
8	xxx xxxx xxx	2	BUSHING FLANGED (SEE CHASSIS SYSTEM HARDWARE KIT)
9	909 6594 000	2	BUSH FLANGED
10	xxx xxxx xxx	1	SHOULDER BOLT M12X30 (SEE CHASSIS SYSTEM HARDWARE KIT)
11	xxxxxxx	2	WASHER FLAT 11X16 (SEE WHEEL REAR CASTOR KIT)
12	145 0524 000	2	PASSRING
13	xxxxxxx	2	NUT (SEE CHASSIS SYSTEM HARDWARE KIT)
14	xxxxxxx	2	SCREW CYL HD M10X25 (SEE WHEEL REAR CASTOR KIT)
15	909 6595 000	1	FLAT TIE HOLDER
16	xxxxxxx	2	WASHER (SEE CHASSIS SYSTEM HARDWARE KIT)
17	xxx xxxx xxx	2	NUT (SEE WHEEL REAR CASTOR KIT)
18	xxx xxxx xxx	1	SHOULDER BOLT M12X16 (SEE CHASSIS SYSTEM HARDWARE KIT)
19	909 6878 000	1	CHASSIS SYSTEM HARDWARE KIT (7,8,10,13,16,18)
20	33006051	1	RING D 12 UNI7435
21	909 6898 000	1	WHEEL REAR CASTOR KIT (3,11,14,17)
22	909 6337 000	1	SCREW CYL HD M5X12
23	xxx xxxx xxx	1	EXTRA PRESSURE DECAL (SEE EXTRA PRESSURE KIT PAG.25)
24	xxx xxxx xxx	1	KNOB (SEE EXTRA PRESSURE KIT PAG.25)
25	xxxxxxx	1	SCREW HEX HD M10X30 (SEE EXTRA PRESSURE KIT PAG.25)



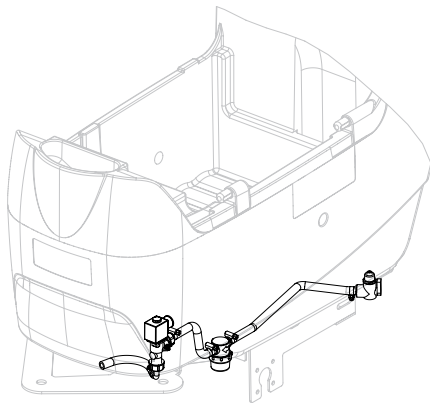
2007-01

**WHEELS SYSTEM**

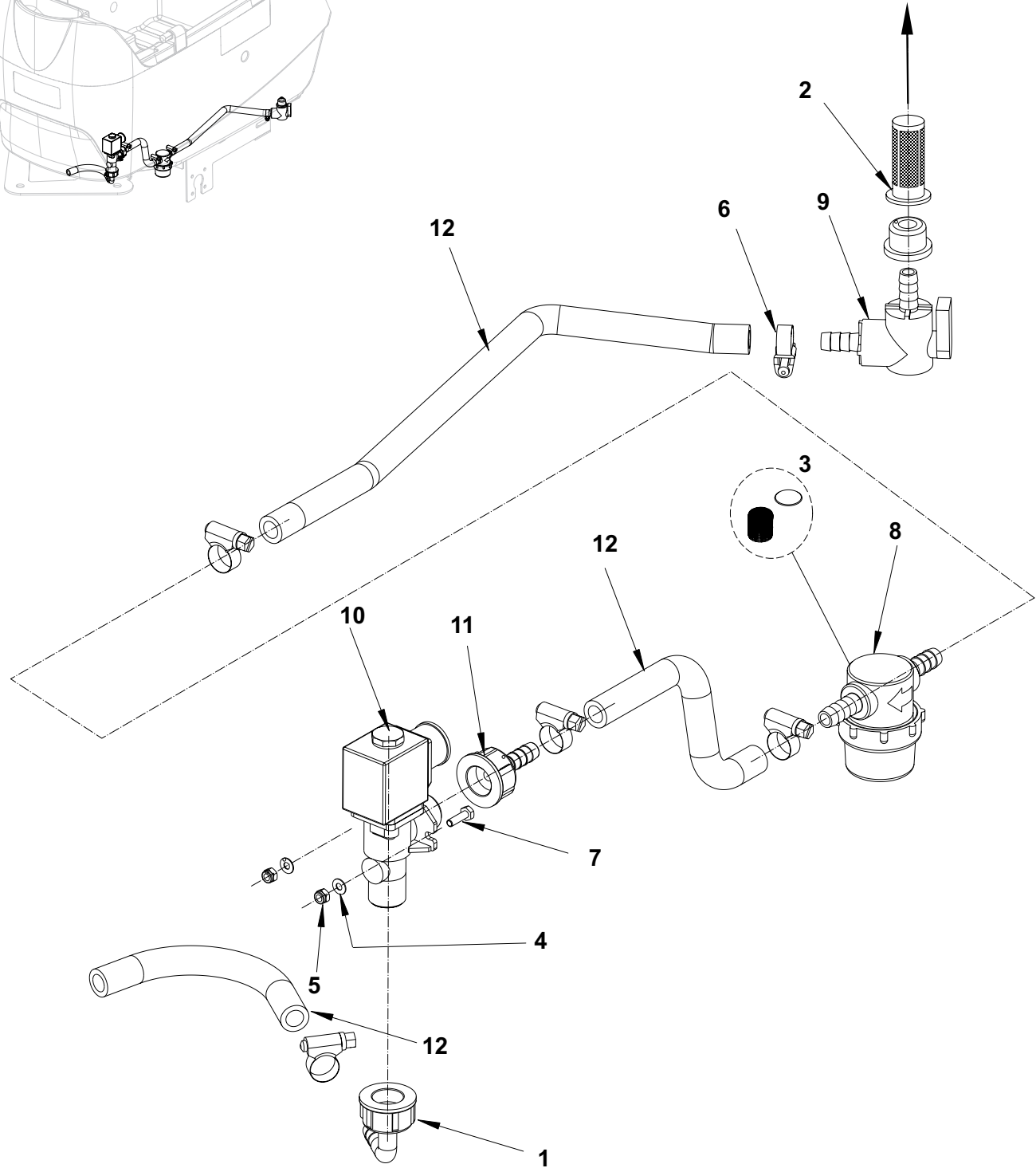
**Adfinity™ 17ST / 20ST**

**11**

Item No.	Ref. No.	Qty	Description
1	909 6507 000	2	WHEEL FRONT
2	909 6508 000	1	WHEELS SHAFT
3	33005607	8	NUT SELFLOCKING M8
4	56325580	2	SPACER
5	33004590	2	SCREW M8X16
6	33005445	8	SCREW HEX HD M8X25
7	909 6509 000	2	SPACER

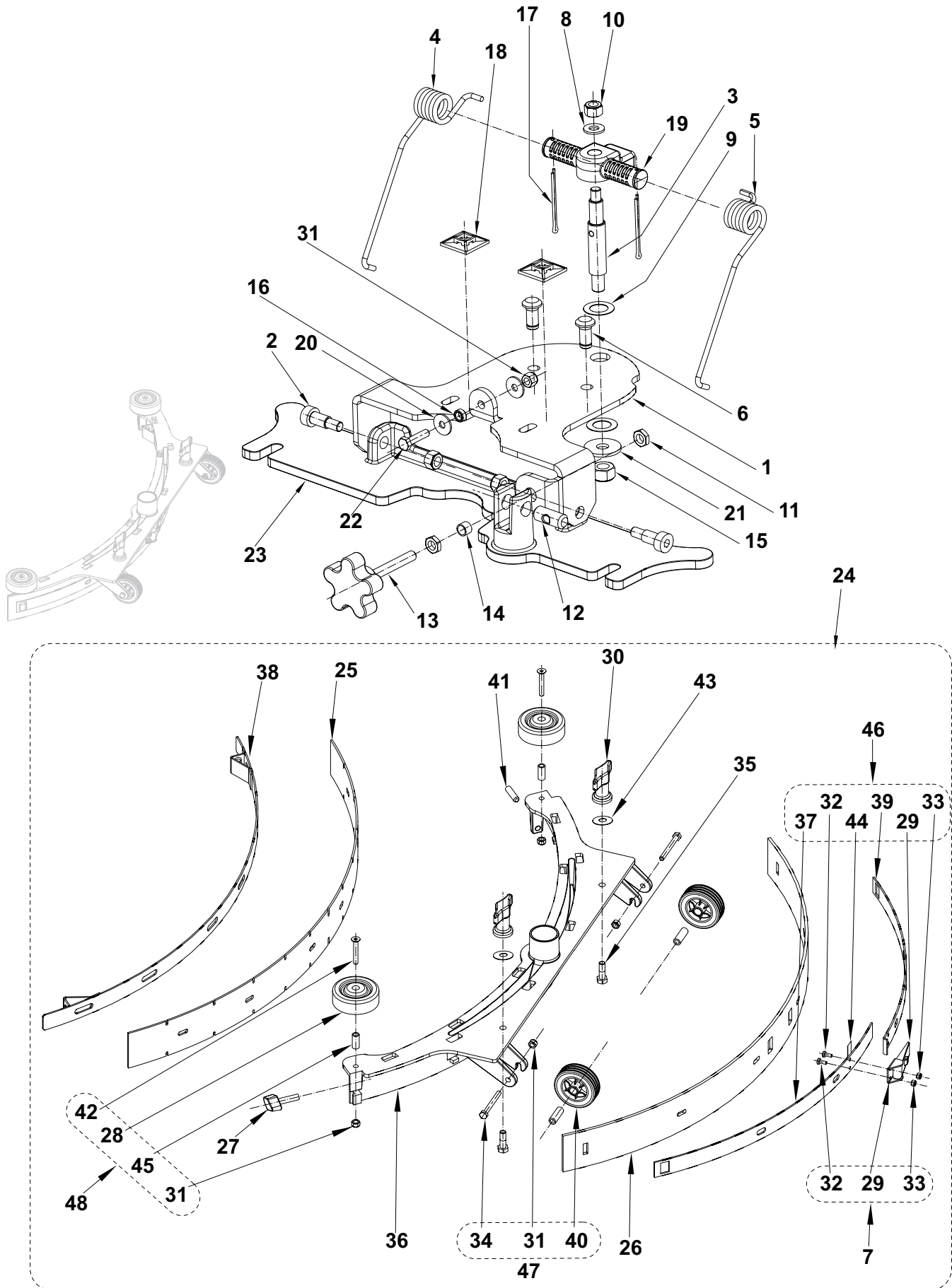


INTO THE TANK



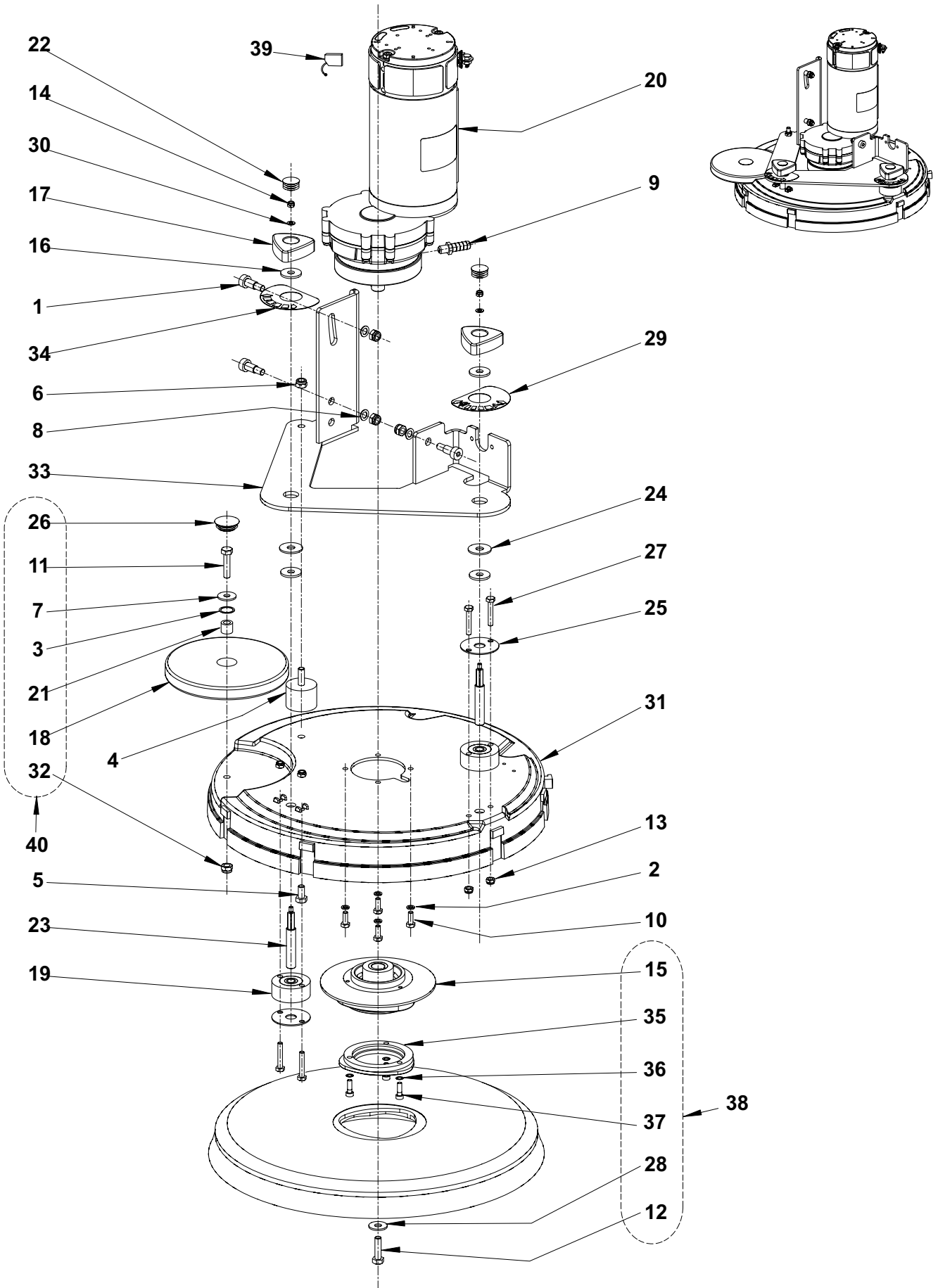
**2007-01****SOLUTION SYSTEM****Adfinity™ 17ST / 20ST****13**

<b>Item No.</b>	<b>Ref. No.</b>	<b>Qty</b>	<b>Description</b>
1	909 6637 000	1	HOLDER RUBBER 90°
2*	9096916000	1	FILTER, SOLUTION TANK
3	08603893	1	NET FILTER WITH GASKET KIT
4	56325716	2	WASHER FLAT 4X9 SS
5	08603685	2	NUT HEX SELF LOCK M4 SS
6	145 8582 000	5	CLAMP
7	146 0497 000	2	SCREW HEX HD M4X14 SS
8	909 5151 000	1	FILTER COMPLETE KIT
9	9096994000	1	VALVE ELBOW
10	909 6555 000	1	SOLENOID VALVE 24V
11	909 6636 000	1	HOLDER RUBBER 1/2 FEMALE
12	909 6995 000	1	PIPES SOLENOID VALVE KIT

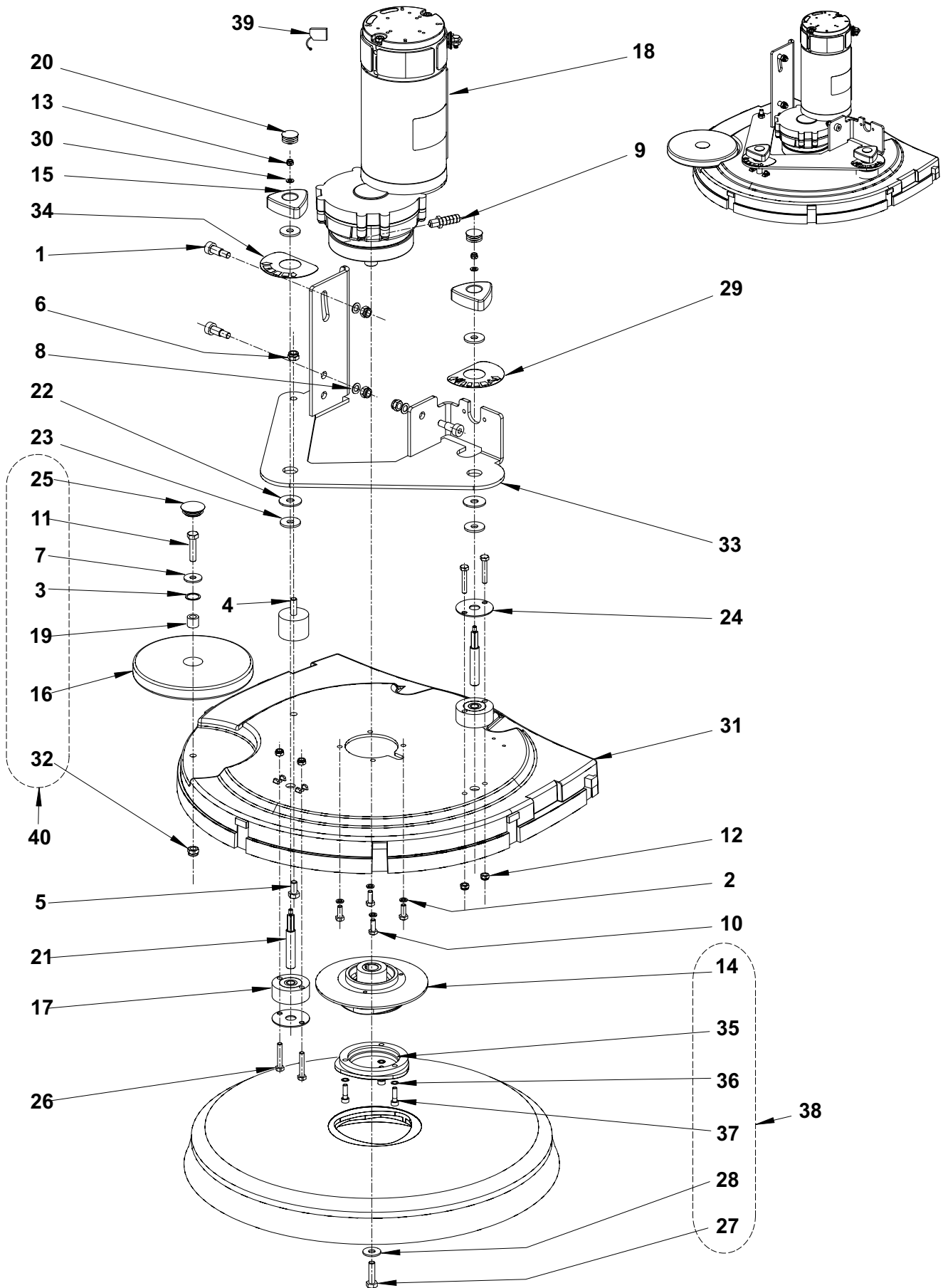




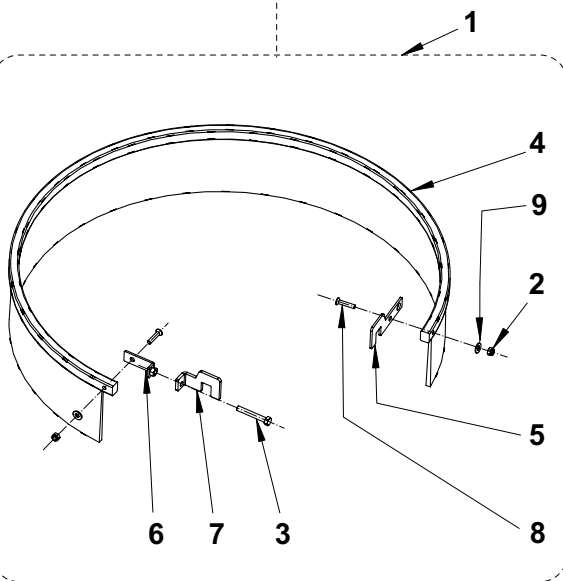
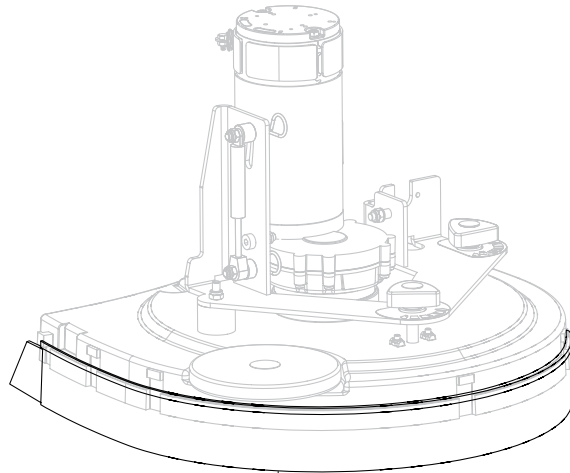
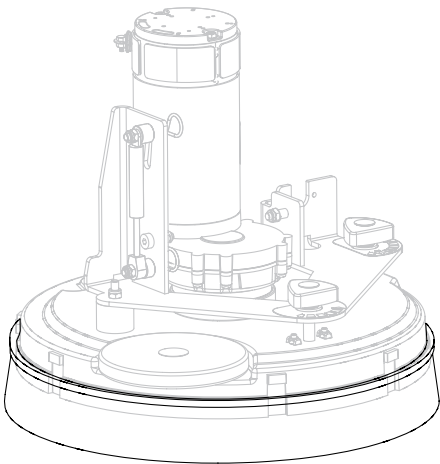
Item No.	Ref. No.	Qty	Description
1	909 6494 000	1	BRACKET, SQUEEGEE SUPPORT
2	xxx xxxx xxx	2	SHOULDER BOLT M10X16 (SEE HARDWARE FIXING KIT)
3	909 6497 000	1	PIN SQUEEGEE
4	909 6537 000	1	SPRING SQUEEGEE PUSHING
5	909 6538 000	1	SPRING SQUEEGEE PUSHING
6	909 6543 000	2	PIN SQUEEGEE FIXING
7	909 6394 000	1	LATCH SQUEEGEE KIT (29,32,33)
8	33005915	1	WASHER FLAT 8X17
9	08238300	2	WASHER 15X25
10	33005607	3	NUT SELFLOCKING M8
11	xxxxxxx	2	NUT HEX LOW M8 (SEE HARDWARE FIXING KIT)
12	xxxxxxx	1	SUPPORT PIN (SEE HARDWARE FIXING KIT)
13	xxxxxxx	1	HANDWHEEL M8X55 (SEE HARDWARE FIXING KIT)
14	xxxxxxx	1	SPACER Ø8XØ10X7 (SEE HARDWARE FIXING KIT)
15	33005608	1	NUT SELF L. M10 UNI7474
16	xxx xxxx xxx	1	SPACER 6.5X10X4.5 (SEE HARDWARE FIXING KIT)
17	33005758	2	SPLIT PIN
18	909 6635 000	2	HOLDER FLAT TIE
19	909 6052 000	1	SPRING SUPPORT
20	xxxxxxx	1	WASHER FLAT 6X18 SS (SEE HARDWARE FIXING KIT)
21	56325568	1	WASHER FLAT 10X30
22	xxx xxxx xxx	1	SCREW HEX HD M6X25 SS (SEE)
23	909 6045 000	1	SQUEEGEE SUPPORT
24	909 6851 000	1	SQUEEGEE KIT COMPLETE
25	909 6483 000	1	BLADE FRONT
26	909 6484 000	1	BLADE REAR
27	909 6551 000	1	KNOB M8X30 SS
28	xxxxxxx	2	ROLLER BUMPER (SEE ROLLER BUMPER SQUEEGEE KIT)
29	xxxxxxx	1	LATCH FOR SQUEEGEE (SEE HARDWARE SQUEEGEE FIXING KIT AND LATCH SQUEEGEE KIT)
30	08603675	2	NUT THUMB SQUEEGEE FIXING
31	xxxxxxx	5	NUT HEX. SELFLOCK. M6 SS (SEE WHEEL SQUEEGEE KIT-HARDWARE FIXING KIT )
32	xxxxxxx	2	SCREW M4X10 SS (SEE HARDWARE SQUEEGEE FIXING KIT AND LATCH SQUEEGEE KIT)
33	xxxxxxx	2	NUT HEX SELF LOCK M4 SS (SEE HARDWARE SQUEEGEE FIXING KIT AND LATCH SQUEEGEE KIT)
34	xxx xxxx xxx	2	SCREW HEX HD M6X55 SS (SEE WHEEL SQUEEGEE KIT AND ROLLER BUMPER SQUEEGEE KIT)
35	909 5953 000	2	SCREW
36	909 6044 000	1	WELDMENT SQUEEGEE TOOL
37	xxx xxxx xxx	1	STRAP, SQUEEGEE LEFT REAR (SEE HARDWARE SQUEEGEE FIXING KIT)
38	909 6055 000	1	STRAP, SQUEEGEE FRONT
39	xxx xxxx xxx	1	STRAP, SQUEEGEE RIGHT REAR (SEE HARDWARE SQUEEGEE FIXING KIT)
40	xxx xxxx xxx	2	SQUEEGEE WHEEL D.60 (SEE WHEEL SQUEEGEE KIT)
41	909 6600 000	1	DOWEL M8X30 SS
42	xxx xxxx xxx	2	SCREW M6X40 SS (SEE ROLLER BUMPER SQUEEGEE KIT)
43	909 6682 000	2	RUBBER WASHER
44	xxx xxxx xxx	1	RUBBER SPACER (SEE HARDWARE SQUEEGEE FIXING KIT)
45	xxxxxxx	2	SPACER Ø6,3XØ9,5X21 (SEE ROLLER BUMPER SQUEEGEE KIT)
46	909 6882 000	1	HARDWARE SQUEEGEE FIXING KIT (29,32,33,37,39,44)
47	909 6883 000	1	WHEEL SQUEEGEE KIT (31,34,40)
48	909 6884 000	1	ROLLER BUMPER SQUEEGEE KIT (28,31,42,45)
[49]	909 6885 000	1	HARDWARE FIXING KIT (2,11,12,13,14,16,20,22,31)



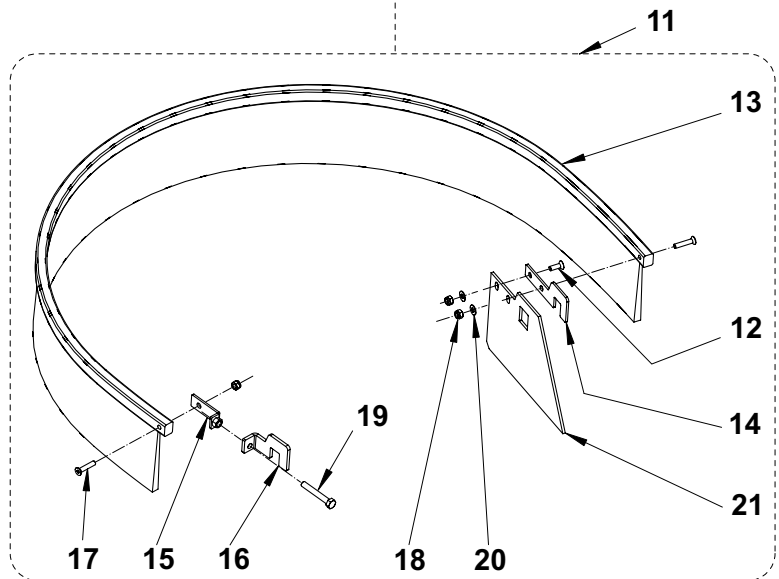
Item No.	Ref. No.	Qty	Description
1	909 6495 000	3	SHOULDER BOLT M10X16
2	145 0252 000	4	WASHER SS
3	xxxxxxx	1	SPRING WASHER (SEE ROLLER BUMPER KIT)
4	56325602	1	VIBRATION DAMPING M8
5	xxx xxx xxx	1	SCREW HEX HD M8X16 SS (SEE HARDWARE BRUSH DECK KIT)
6	xxxxxxx	4	NUT SELFLOCKING M8 (SEE HARDWARE BRUSH DECK KIT)
7	xxxxxxx	1	WASHER 8X24 (SEE ROLLER BUMPER KIT)
8	33005916	3	WASHER FLAT 10
9	56325648	1	HOLDER RUBBER
10	145 9959 000	4	SCREW HEX HD M6X16 SS
11	xxxxxxx	1	SCREW HEX HD M8X30 SS (SEE ROLLER BUMPER KIT)
12	xxx xxx xxx	1	SCREW HEX HD M6X20 SS (SEE HOLDERPOLYG.W/FLAGE KIT AND BRUSH SYSTEM HW KIT)
13	xxxxxxx	4	NUT HEX. SELFLOCK. M6 SS (SEE HARDWARE BRUSH DECK KIT)
14	08603688	2	NUT HEX. LOW SELF LOCK. M5 SS
15	xxxxxxx	1	BRUSH HUB (SEE HOLDERPOLYG.W/FLAGE KIT)
16	08812719	4	WASHER FLAT 9X27
17	xxxxxxx	2	KNOB (SEE HARDWARE BRUSH DECK KIT)
18	xxxxxxx	1	BUMPER ROLLER (SEE ROLLER BUMPER KIT)
19	08812213	2	BUFFER
20	909 6546 000	1	REDUCTION GEARMOTOR CPL. 520W 24V
21	xxxxxxx	1	SPACER (SEE ROLLER BUMPER KIT) (SEE HARDWARE BRUSH DECK KIT)
22	xxxxxxx	2	CAP FOR KNOB (SEE HARDWARE BRUSH DECK KIT)
23	xxxxxxx	2	PIN PLATE FIXING (SEE HARDWARE BRUSH DECK KIT)
24	xxxxxxx	2	WASHER RUBBER 10X30X2 (SEE HARDWARE BRUSH DECK KIT)
25	08812779	2	PLATE VIBRATION DAMPING
26	xxxxxxx	1	CAP, BUMPER ROLLER (SEE ROLLER BUMPER KIT AND HARDWARE BRUSH DECK KIT)
27	145 0245 000	4	SCREW M6X35 UNI5739
28	xxx xxx xxx	1	WASHER FLAT 6X24 SS (SEE HOLDERPOLYG.W/FLAGE KIT)
29	909 6533 000	1	DECAL BRUSH ADJUSTING
30	xxx xxx xxx	2	WASHER FLAT 5X10 SS (SEE HARDWARE BRUSH DECK KIT)
31	909 6043 000	1	BRUSH DECK 450
32	xxx xxx xxx	1	NUT HEX SELFLOCK M8 SS (SEE ROLLER BUMPER KIT)
33	909 6485 000	1	PLATE, DECK BRUSH HOLDER
34	909 6532 000	1	DECAL BRUSH ADJUSTING
35	xxxxxxx	1	BRUSH HUB (SEE HOLDERPOLYG.W/FLAGE KIT)
36	xxxxxxx	1	WASHER M6 (SEE HOLDERPOLYG.W/FLAGE KIT)
37	xxx xxx xxx	1	SCREW M6X20 SS (SEE HOLDERPOLYG.W/FLAGE KIT)
38	9097093000	1	HOLDER POLYG.W/FLAGE KIT (12,15,28,35,36,37)
39	909 5380 000	1	CARBON BRUSH (4 PCS)
40	909 6887 000	1	ROLLER BUMPER KIT (3,7,11,18,21,26,32)
[41]	909 6888 000	1	HARDWARE BRUSH DECK KIT (5,6,12,13,17,20,21,22,23,24,26,30)



Item No.	Ref. No.	Qty	Description
1	909 6495 000	3	SHOULDER BOLT M10X16
2	145 0252 000	4	WASHER SS
3	xxxxxxx	1	SPRING WASHER (SEE ROLLER BUMPER KIT)
4	08219000	1	VIBRATION DAMPING M8
5	xxx xxx xxx	1	SCREW HEX HD M8X16 SS (SEE HARDWARE BRUSH DECK KIT)
6	xxxxxxx	4	NUT SELFLOCKING M8 (SEE HARDWARE BRUSH DECK KIT)
7	xxxxxxx	1	WASHER 8X24 (SEE ROLLER BUMPER KIT)
8	33005916	3	WASHER FLAT 10
9	08601624	1	PIPE HOLDER
10	145 9959 000	4	SCREW HEX HD M6X16 SS
11	xxxxxxx	1	SCREW HEX HD M8X30 SS (SEE ROLLER BUMPER KIT)
12	xxxxxxx	4	NUT HEX. SELFLOCK. M6 SS (SEE HARDWARE BRUSH DECK KIT)
13	xxxxxxx	2	NUT HEX. LOW SELF LOCK. M5 SS (SEE HARDWARE BRUSH DECK KIT)
14	xxxxxxx	1	BRUSH HUB (SEE HOLDERPOLYG.W/FLAGE KIT)
15	xxxxxxx	2	KNOB (SEE HARDWARE BRUSH DECK KIT)
16	xxxxxxx	1	BUMPER ROLLER (SEE ROLLER BUMPER KIT)
17	xxxxxxx	2	SPACER (SEE HARDWARE BRUSH DECK KIT)
18	909 6546 000	1	REDUCTION GEARMOTOR CPL.
19	xxxxxxx	1	SPACER (SEE ROLLER BUMPER KIT)
20	xxxxxxx	2	CAP FOR KNOB (SEE HARDWARE BRUSH DECK KIT)
21	xxxxxxx	2	DOWEL BRUSH PLATE FIXING (SEE HARDWARE BRUSH DECK KIT)
22	xxxxxxx	2	WASHER RUBBER 10X30X2 (SEE HARDWARE BRUSH DECK KIT)
23	xxxxxxx	4	WASHER FLAT 9X27 (SEE HARDWARE BRUSH DECK KIT)
24	xxxxxxx	2	VIBRATION DAMPING PLATE (SEE HARDWARE BRUSH DECK KIT)
25	xxxxxxx	1	CAP, BUMPER ROLLER (SEE ROLLER BUMPER KIT)
26	xxx xxx xxx	4	SCREW HEX HD M6X35 SS (SEE HARDWARE BRUSH DECK KIT)
27	xxx xxx xxx	1	SCREW HEX HD M6X20 SS (SEE HOLDERPOLYG.W/FLAGE KIT)
28	xxx xxx xxx	1	WASHER FLAT 6X24 SS (SEE HOLDERPOLYG.W/FLAGE KIT)
29	909 6533 000	1	DECAL BRUSH ADJUSTING
30	xxx xxx xxx	2	WASHER FLAT 5X10 (SEE HARDWARE BRUSH DECK KIT)
31	909 6042 000	1	BRUSH DECK 530
32	xxx xxx xxx	1	NUT HEX SELFLOCK M8 SS (SEE ROLLER BUMPER KIT)
33	909 6485 000	1	PLATE, DECK BRUSH OLDER
34	909 6532 000	1	DECAL BRUSH ADJUSTING
35	xxxxxxx	1	BRUSH HUB (SEE HOLDERPOLYG.W/FLAGE KIT)
36	xxxxxxx	1	WASHER M6 (SEE HOLDERPOLYG.W/FLAGE KIT)
37	xxx xxx xxx	1	SCREW M6X20 SS (SEE HOLDERPOLYG.W/FLAGE KIT)
38	9097093000	1	HOLDERPOLYG.W/FLAGE KIT (14,27,28,35,36,37)
39	909 5380 000	1	CARBON BRUSH (4 PCS)
40	909 6887 000	1	ROLLER BUMPER KIT (3,7,11,16,19,25,32)
[41]	909 6888 000	1	HARDWARE BRUSH DECK KIT (5,6,12,13,15,17,20,21,22,23,24,26,30)



**SPLASH GUARD 17" KIT  
( ADFINITY™ 17ST )**



**SPLASH GUARD 20" KIT  
( ADFINITY™ 20ST )**

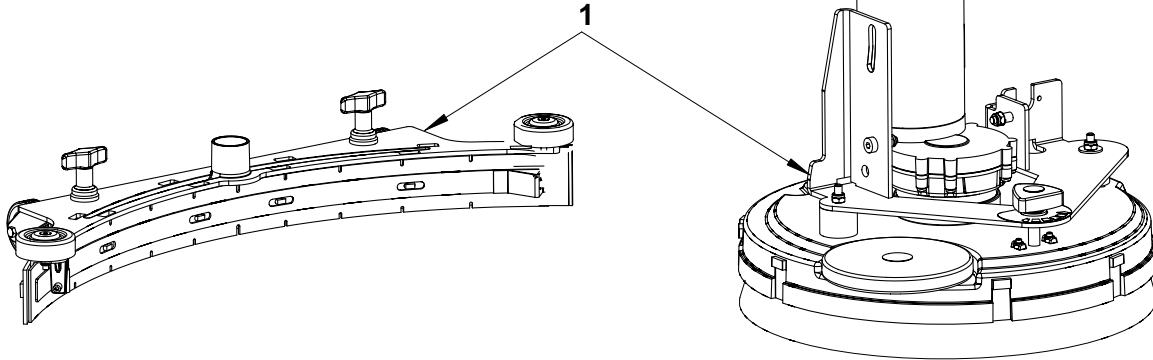
Item No.	Ref. No.	Qty	Description
1	909 6737 000	1	SPLASH GUARD 17" KIT (22,23,24,25,26,27,28,29)
2	xxx xxxx xxx	2	NUT (SEE SPLASH GUARD 17" KIT)
3	xxx xxxx xxx	1	SCREW HEX HD M5X35 (SEE SPLASH GUARD 17" KIT)
4	xxx xxxx xxx	1	SPLASH GUARD (SEE SPLASH GUARD 17" KIT)
5	xxx xxxx xxx	1	BRACKET FIXING SPLASH GUARD (SEE SPLASH GUARD 17" KIT)
6	xxx xxxx xxx	1	BRACKET FIXING SPLASH GUARD (SEE SPLASH GUARD 17" KIT)
7	xxx xxxx xxx	1	BRACKET FIXING SPLASH GUARD (SEE SPLASH GUARD 17" KIT)
8	xxxxxxx	2	SCREW M4X20 (SEE SPLASH GUARD 17" KIT)
9	xxx xxxx xxx	2	WASHER M4 (SEE SPLASH GUARD 17" KIT)
[10]	909 6745 000	1	INSTALLATION INSTRUCTIONS FOR SPLASH GUARD KIT (SEE SPLASH GUARD 17" KIT)
11	909 6736 000	1	SPLASH GUARD 20" KIT (11,12,13,14,15,16,17,18,19,20)
12	xxxxxxx	1	SCREW M4X12 (SEE SPLASH GUARD 20" KIT)
13	xxx xxxx xxx	1	SPLASH GUARD (SEE SPLASH GUARD 20" KIT)
14	xxx xxxx xxx	1	BRACKET FIXING SPLASH GUARD (SEE SPLASH GUARD 20" KIT)
15	xxx xxxx xxx	1	BRACKET FIXING SPLASH GUARD (SEE SPLASH GUARD 20" KIT)
16	xxx xxxx xxx	1	BRACKET FIXING SPLASH GUARD (SEE SPLASH GUARD 20" KIT)
17	xxxxxxx	2	SCREW M4X20 (SEE SPLASH GUARD 20" KIT)
18	xxx xxxx xxx	3	NUT (SEE SPLASH GUARD 20" KIT)
19	xxxxxxx	1	SCREW HEX HD M5X35 (SEE SPLASH GUARD 20" KIT)
20	xxx xxxx xxx	2	WASHER M4 (SEE SPLASH GUARD 20" KIT)
21	xxx xxxx xxx	1	RUBBER SPLASH GUARD (SEE SPLASH GUARD 20" KIT)
[22]	909 6745 000	1	INSTALLATION INSTRUCTIONS FOR SPLASH GUARD KIT (SEE SPLASH GUARD 20" KIT)

22

## Adfinity™ 17ST / 20ST

## Adfinity™ 17ST

Item	Ref. No.	Qty	Description
1*	909 6847 000	1	DISC SCRUB DECK KIT COMPLETE WITH SQUEEGEE



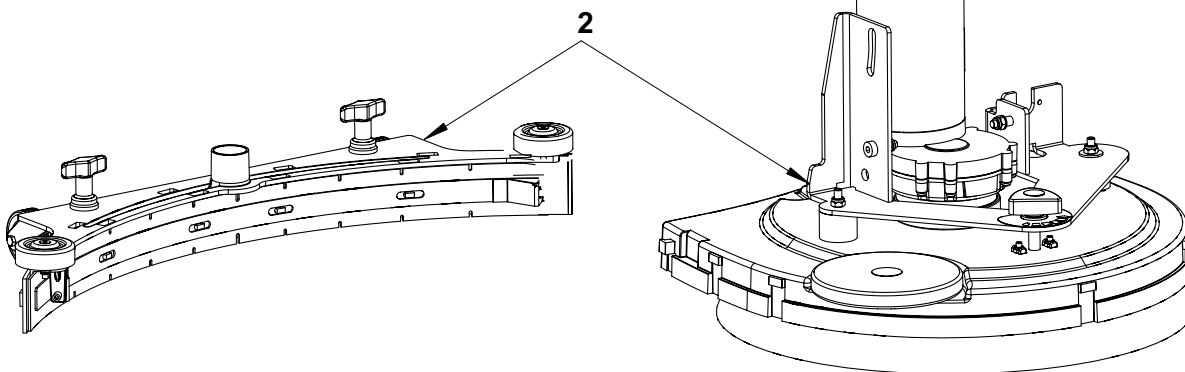
## Adfinity™ 17ST

## Ref. No. - BRUSHES

- \* 08837020 - PROLENE
- \* 08837021 - PROLITE
- \* 08837022 - UNION MIX
- \* 08837023 - MIDLITE
- \* 08837024 - MIDGRIT
- \* 08837017 - PAD HODER KIT

## Adfinity™ 20ST

Item	Ref. No.	Qty	Description
2*	909 6848 000	1	DISC SCRUB DECK KIT COMPLETE WITH SQUEEGEE



## Adfinity™ 20ST

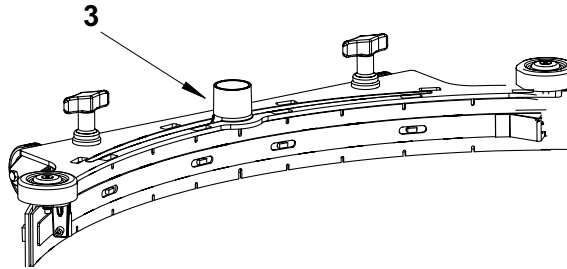
## Ref. No. - BRUSHES

- \* 56325504 - PROLENE
- \* 08837026 - PROLITE
- \* 08837027 - UNION MIX
- \* 08837028 - MIDLITE GRIT
- \* 08837029 - MID GRIT 240
- \* 08837065 - MAGNA GRIT 46
- \* 08837066 - DYNA GRIT 80
- \* 08837067 - AGLITE GRIT 500
- \* 56325502 - PAD HOLDER KIT



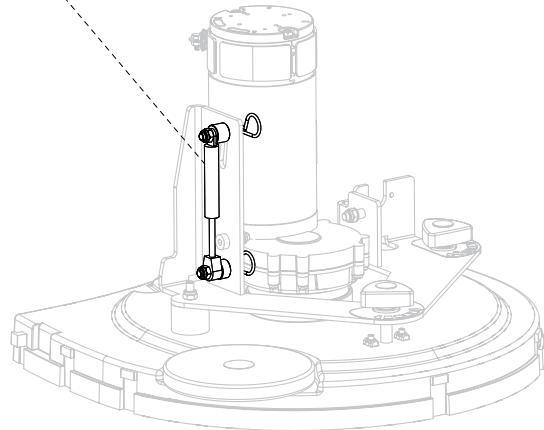
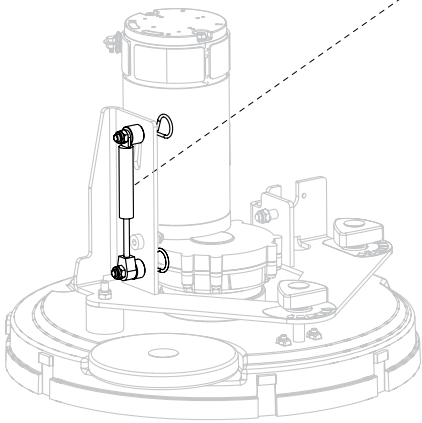
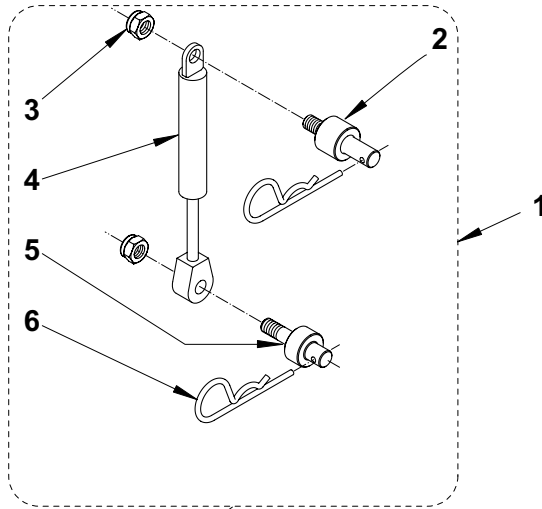
**Adfinity™ 17ST - 20ST**

Item	Ref. No.	Qty	Description
3*	08603878	1	SQUEEGEE KIT
3*	909 6851 000	1	SQUEEGEE KIT ALUMINIUM

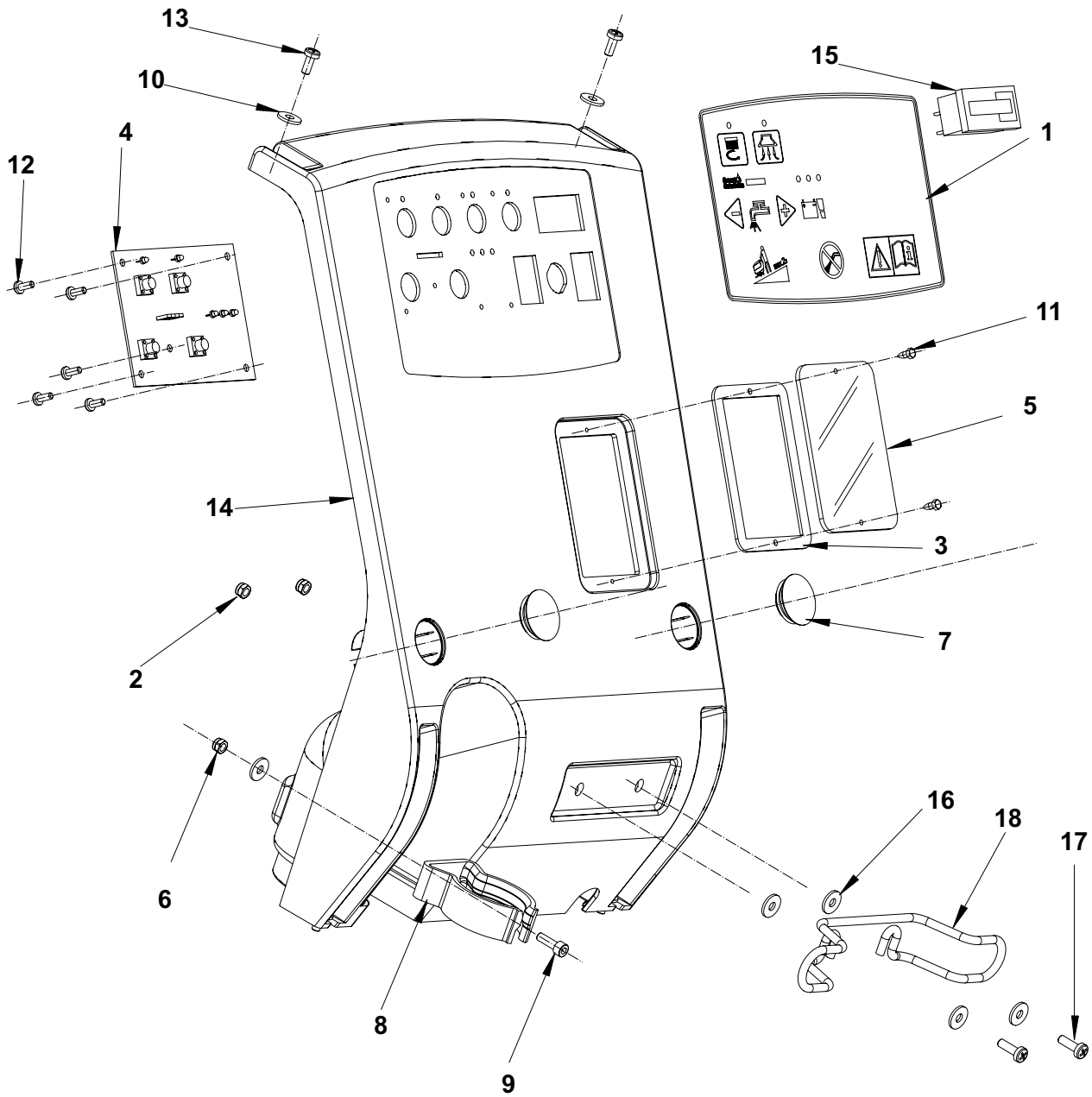
**Adfinity™ 17ST - 20ST****Ref. No. - ALUMINIUM SQUEEGEE BLADES**

- \* 909 6483 000 - FRONT BLADE STANDARD
- \* 909 6484 000 - REAR BLADE STANDARD
- \* 909 6860 000 - WEAR PACK: STD SQUEEGEE BLADES
- \* 909 6858 000 - WEAR PACK: PU SQUEEGEE BLADES

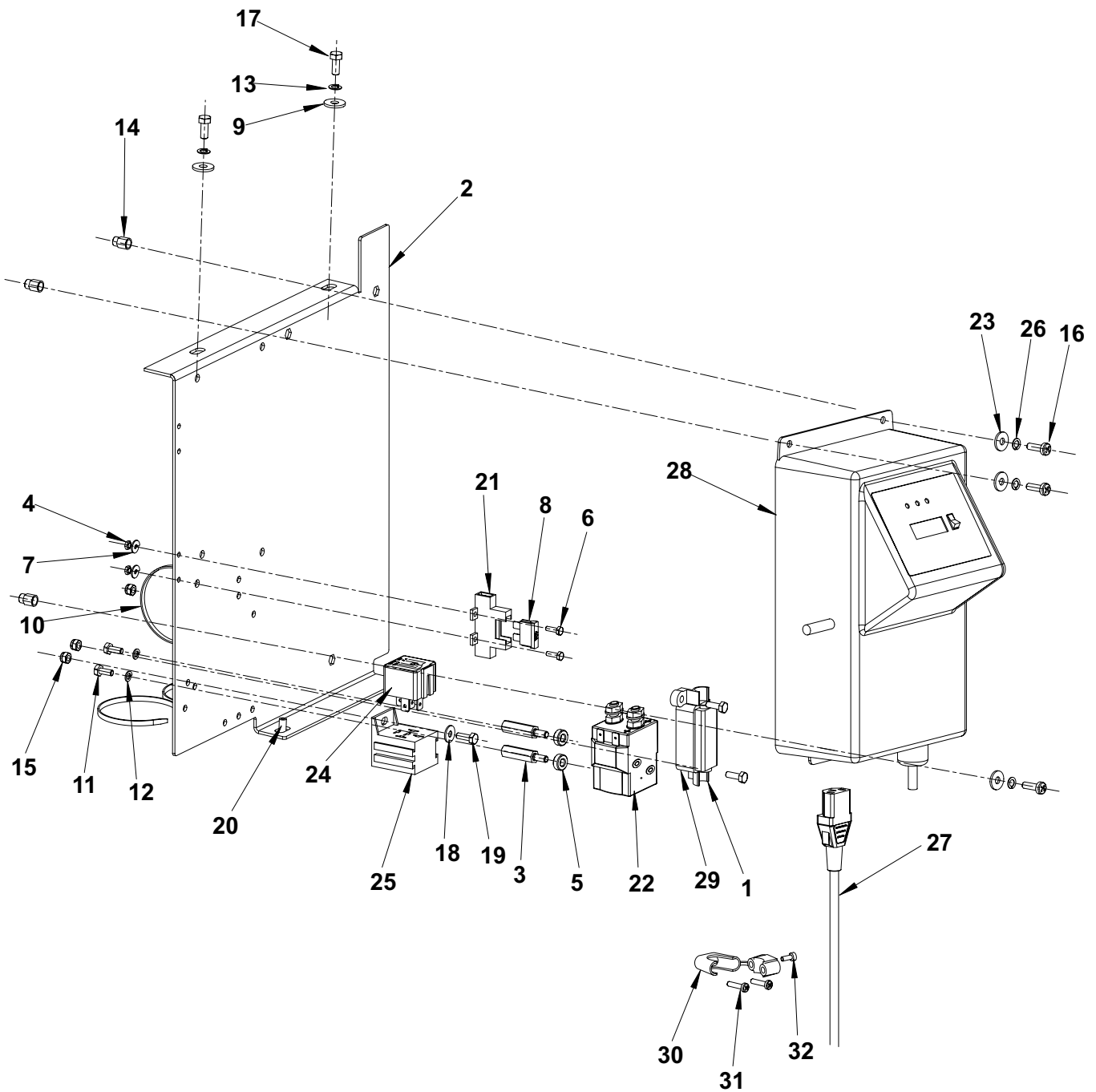
**EXTRA PRESSURE KIT  
( ADFINITY™ 17ST / 20ST )**



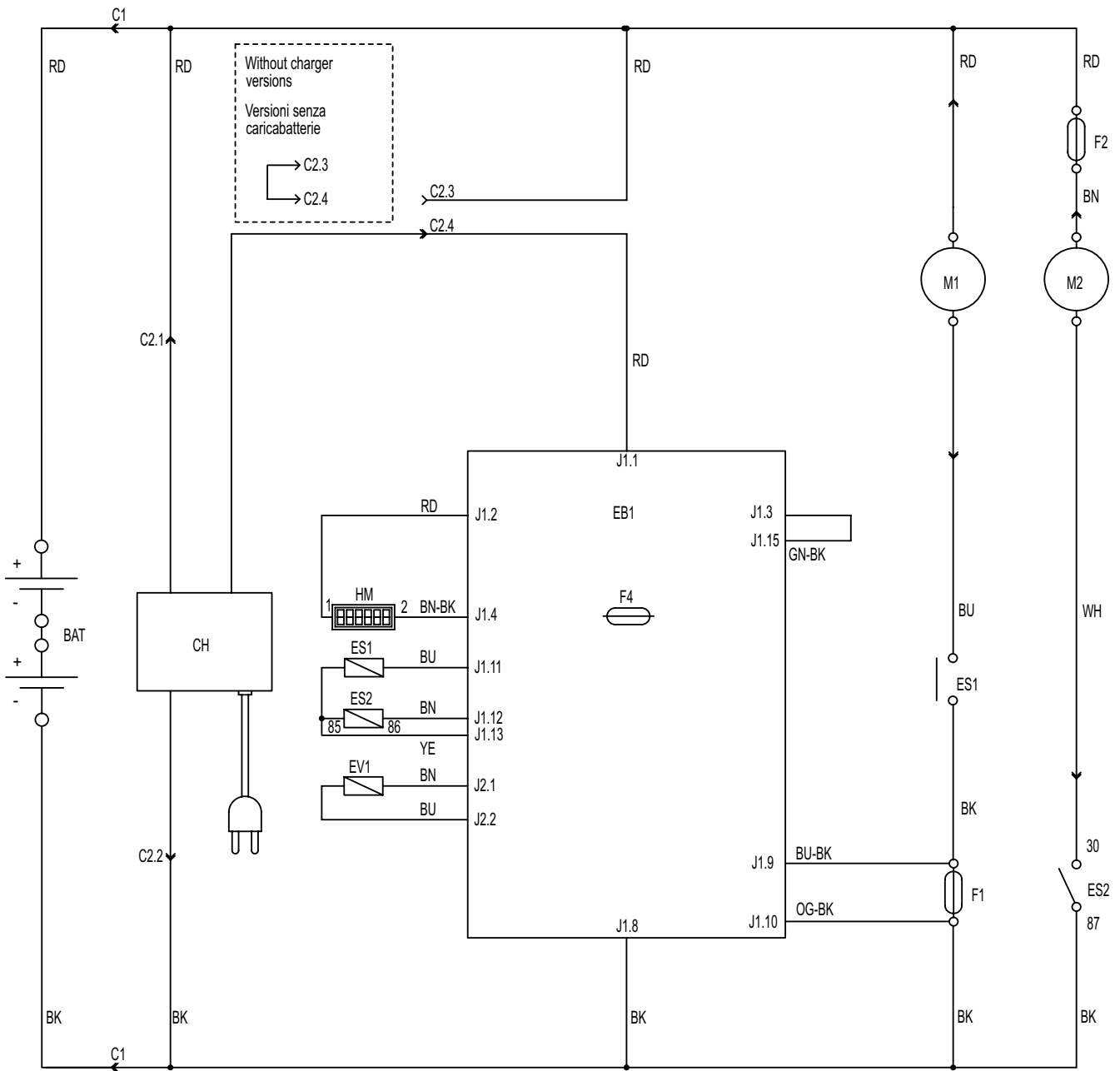
Item No.	Ref. No.	Qty	Description
1*	909 6738 000	1	EXTRA PRESSURE KIT (PAGE 9, 23,24,25) (PAGE 2,3,4,5,6,7,8,9,10,11)
2	xxx xxxx xxx	1	PIN
3	xxxxxxxx	2	NUT SELFLOCKING M8
4	xxx xxxx xxx	1	GAS SPRING
5	xxx xxxx xxx	1	PIN
6	xxx xxxx xxx	2	SPLIT PIN 3
[7]	xxx xxxx xxx	1	KNOB
[8]	xxxxxxxx	1	SCREW HEX HD M10X30
[9]	909 6759 000	1	INSTALLATION INSTRUCTIONS FOR EXTRA PRESSURE KIT
[10]	xxx xxxx xxx	1	DECAL
[11]	xxx xxxx xxx	2	WASHER BELLEVILLE10,2X18,8X0,35



Item No.	Ref. No.	Qty	Description
1	9097000000	1	DECAL CONTROL PANEL
2	33005603	2	NUT HEX SELF LOCK M5
3	909 6545 000	1	GASKET
4	909 6552 000	1	ELECTRONIC CARD
5	909 5313 000	1	INSPECTION PLATE
6	33005603	1	NUT HEX SELF LOCK M5
7	56325624	2	CAP, TANK LOCKING
8	08812967	1	CLAMP Ø50 SS
9	33004124	1	SCREW SOCKET HD M5X16 SS
10	145 8280 000	5	WASHER FLAT 5X15 SS
11	145 9211 000	2	SCREW
12	146 0783 000	5	SCREW PAN HD 4X10 THD
13	33004122	4	SCREW M5X12 SS
14	909 6053 000	1	ELECTRIC COMPONENTS COVER
15*	9096951000	1	COUNTER HOUR 24V KIT
16	145 1261 000	4	WASHER
17	146 2090 000	2	SCREW CYL HD M5X16
18	909 5149 000	1	SUPPORT BATTERY CHARGER CABLE
[19]	145 8368 000	1	FUSE 3A
[20]*	9096952000	1	INSTRUCTIONS FOR COUNTER HOUR KIT



Item No.	Ref. No.	Qty	Description
1	145 8046 000	1	FUSE CARRIER
2	909 6498 000	1	SUPPORT
3	909 6676 000	2	SPACER M4 L=25
4	33005499	2	NUT HEX M3
5	08812801	2	SPACER
6	08812964	4	SCREW HEX HD M3X10
7	08812986	2	WASHER SPLIT 3 SS
8	145 8513 000	1	FUSE 30A
9	145 1261 000	2	WASHER
10	145 1449 000	3	CLAMP
11	33003947	2	SCREW HEX HD M4X10
12	33005838	2	WASHER SPLIT 4
13	33005839	2	WASHER
14	145 6132 000	3	INSERT M5
15	145 5743 000	3	NUT
16	909 6337 000	3	SCREW CYL HD M5X12
17	33003960	2	SCREW HEX. HD M5X12
18	145 9237 000	1	WASHER FLAT 4X12
19	33003947	3	SCREW HEX HD M4X10
20	146 0622 000	1	DOWEL
21	146 0660 000	2	BLADE FUSE HOLDER
22	146 0719 000	1	ELECTROMAGNETIC SWITCH 24V
23	145 1261 000	3	WASHER
24	909 6622 000	1	RELAY 24V 40A
25	9096963000	1	HARNESS ELECTRIC BOX
26	33005839	3	WASHER
27	9096914000	1	CABLE EXTENTION US
28	909 6541 000	1	BATTERY CHARGER 24V 13A
29	145 3824 000	1	STRIP FUSE 40A
30	08338600	1	CABLE HOLDER
31	08603668	2	SCREW THD FORM
32	146 1788 000	1	SCREW M4X12
[33]	9096971000	1	MACHINE HARNESS
[34]	909 6840 000	1	HARNESS VACUUM CLEANER
[35]	9096906000	1	BATTERY HARNESS
[36]	08812093	4	COVER, BATTERY TERMINAL
[37]	146 1986 000	1	CONNECTOR 120A



COMPONENTS / COMPONENTI		
BAT	24V BATTERIES	BATTERIE 24V
C1	BATTERY CONNECTOR	CONNETTORE BATTERIE
C2	CHARGER CONNECTOR	CONNETTORE CARICABATTERIE
CH	BATTERY CHARGER (OPT)	CARICABATTERIE (OPT)
CS	BRUSH DECK CONNECTOR	CONNETTORE TESTATA SPAZZOLE
EB1	CONTROL PANEL BOARD	SCHEDA ELETTRONICA CONTROLLO FUNZIONI
ES1	BRUSH MOTOR ELECTROM. SWITCH	TELERUTTORE MOTORI SPAZZOLE
ES2	VACUUM MOTOR ELECTROM. SWITCH	RELE' ASPIRATORE
EV1	WATER ELECTROVALVE	ELETTROVALVOLA ACQUA
F1	BRUSH DECK FUSE	FUSIBILE TESTATA SPAZZOLE
F2	VACUUM MOTOR FUSE	FUSIBILE ASPIRATORE
F4	LOW POWER CIRCUIT FUSE	FUSIBILE CIRCUITI DI SEGNALE
HM	HOURLMETER (OPT)	CONTAORE (OPT)
M1	BRUSH MOTOR	MOTORE SPAZZOLA
M2	VACUUM MOTOR	MOTORE ASPIRATORE

WIRING DIAGRAM  
 ADFINITY™ 17ST - 20ST  
 Rev. A  
 909 6530 000



Adfinity™ 17ST Ref. No.	Adfinity™ 20ST Ref. No.	Qty	Description
<b>SOLUTION TANK</b>			
909 6650 000	909 6650 000	1	SPONGE INLET FRESH WATER
909 6681 000	909 6681 000	1	SOLUTION HOSE
08812457	08812457	1	CAP
909 6662 000	909 6662 000	1	SQUEEGEE LIFT CABLE
909 6874 000	909 6874 000	1	TANK CABLE KIT
909 6875 000	909 6875 000	1	SOLUTION TANK HARDWARE KIT
<b>VACUUM / RECOVERY SYSTEM</b>			
909 6230 000	909 6230 000	1	SQUEEGEE HOSE
909 6528 000	909 6528 000	1	DRAIN HOSE
56324497	56324497	1	CAGE, FLOAT
56391690	56391690	1	BALL FLOAT
08812968	08812968	1	GASKET
909 6899 000	909 6899 000	1	CAP TANK
145 0543 000	145 0543 000	2	HOSE CLAMP
909 6640 000	909 6640 000	1	ANTI SPLASH SQUEEGEE HOSE
909 6734 000	909 6734 000	1	RUBBER BAND KIT
909 6876 000	909 6876 000	1	RECOVERY TANK HARDWARE KIT
909 6877 000	909 6877 000	1	VACUUM MOTOR HARDWARE KIT
909 6802 000	909 6802 000	1	MOTOR VACUUM W/CONNECTOR KIT
909 6491 000	909 6491 000	1	VACUUM MOTOR PANEL ACOUSTIC INSULATION
909 6490 000	909 6490 000	1	GASKET VACUUM MOTOR
9096918000	9096918000	1	GASKET VACUUM MOTOR
909 5371 000	909 5371 000	2	CARBON BRUSH
<b>CHASSIS SYSTEM</b>			
909 6878 000	909 6878 000	1	CHASSIS SYSTEM HARDWARE KIT
909 6898 000	909 6898 000	1	WHELL CASTOR KIT
<b>DRIVE WHEEL SYSTEM</b>			
909 6507 000	909 6507 000	2	DRIVE WHEEL
<b>SOLUTION SYSTEM</b>			
9096994000	9096994000	1	VALVE ELBOW
909 5151 000	909 5151 000	1	KIT, FILTER
9096995000	9096995000	1	PIPES SOLENOID VALVE KIT
909 6555 000	909 6555 000	1	ELECTROVALVE
909 6636 000	909 6636 000	1	BARB L=105
909 6637 000	909 6637 000	1	BARB L=115
<b>SQUEEGEE SYSTEM</b>			
909 6055 000	909 6055 000	2	FRONT STRAP
909 6044 000	909 6044 000	1	SQUEEGEE WELDMENT
909 6551 000	909 6551 000	1	KNOB 8X30 SS
909 6484 000	909 6484 000	1	REAR BLADE SQUEEGEE
909 6483 000	909 6483 000	1	FRONT BLADE SQUEEGEE
909 6851 000	909 6851 000	1	SQUEEGEE KIT

## RECOMMENDED SPARE PARTS

2007-01

32

Adfinity™ 17ST / 20ST

Adfinity™ 17ST Ref. No.	Adfinity™ 20ST Ref. No.	Qty	Description
909 6882 000	909 6882 000	1	FIXING SQUEEGEE KIT
909 6883 000	909 6883 000	1	KIT, SQUEEGEE WHEEL
909 6884 000	909 6884 000	1	KIT, SQUEEGEE BUMPER ROLLER
909 6394 000	909 6394 000	1	KIT, LATCH FOR SQUEEGEE
909 6885 000	909 6885 000	1	SQUEEGEE SUPPORT HARDWARE KIT
<b>DISC SCRUB DECK</b>			
909 6043 000		1	BRUSH DECK 45 CM
	909 6042 000	1	BRUSH DECK 53 CM
909 6546 000	909 6546 000	1	BRUSH MOTOR 480W 24V 135 RPM
56325648	56325648	1	FITTING 1/4
56325602	56325602	1	SHOCK ABSORBER
9097093000	9097093000	1	HOLDERPOLIG. W/FLAGE KIT
909 6887 000	909 6887 000	1	BUMPER ROLLER KIT
909 6888 000	909 6888 000	1	BRUSH SYSTEM HARDWARE KIT
909 5380 000	909 5380 000	1	CARBON BRUSH KIT FOR REDUCTIONGEAR MOT.
<b>COVER PANEL</b>			
08812967	08812967	1	CLAMP, HOSE D.50
909 6552 000	909 6552 000	1	PCB FUNCTIONS 24V NO TRACTION
9097000000	9097000000	1	CONTROL PANEL DECAL BATTERY
145 8368 000	145 8368 000	1	FUSE FUNCTION PCB 3A
<b>ELECTRICAL SYSTEM</b>			
146 1986 000	146 1986 000	1	CONNECTOR BATTERY
145 3824 000	145 3824 000	1	FUSE BRUSH MOTOR
145 8513 000	145 8513 000	1	FUSE VACUUM MOTOR 30A
909 6541 000	909 6541 000	1	BATTERY CHARGER 24V 13A 100-240V 50/60HZ

Adfinity™ 17ST Ref. No.	Adfinity™ 20ST Ref. No.	Qty	Description
9096916000	9096916000	1	FILTER, SOLUTION TANK
909 5327 000	909 5327 000	1	REMOTE FILLING HOSE
9096951000	9096951000	1	HOUR COUNTER KIT
909 6734 000	909 6734 000	1	ELASTIC BAND
909 6847 000		1	DISC SCRUB DECK KIT COMPLETE WITH SQUEEGEE 17"
08837020		1	BRUSHES - PROLENE
08837021		1	BRUSHES - PROLITE
08837022		1	BRUSHES - UNION MIX
08837023		1	BRUSHES - MIDLITE
08837024		1	BRUSHES - MID GRIT
08837017		1	BRUSHES - PAD DRIVER KIT
	909 6848 000	1	DISC SCRUB DECK KIT COMPLETE WITH SQUEEGEE 20"
	56325504	1	BRUSHES - PROLENE
	08837026	1	BRUSHES - PROLITE
	08837027	1	BRUSHES - UNION MIX
	08837028	1	BRUSHES - MIDLITE GRIT
	08837029	1	BRUSHES - MID GRIT 240
	08837065	1	BRUSHES - MAGNA GRIT 46
	08837066	1	BRUSHES - DYNA GRIT 80
	08837067	1	BRUSHES - AGLITE GRIT 500
	56325502	1	BRUSHES - PAD DRIVER KIT
08603878	08603878	1	SQUEEGEE KIT
909 6851 000	909 6851 000	1	SQUEEGEE KIT ALUMINIUM
909 6483 000	909 6483 000	1	ALU SQUEEGEE BLADE - FRONT BLADE STANDARD
909 6484 000	909 6484 000	1	ALU SQUEEGEE BLADE - REAR BLADE STANDARD
909 6860 000	909 6860 000	1	ALU SQUEEGEE BLADE - WEAR PACK: STD SQUEEGEE BLADES
909 6858 000	909 6858 000	1	ALU SQUEEGEE BLADE - WEAR PACK: PU SQUEEGEE BLADES
909 6738 000	909 6738 000	1	EXTRAPRESSURE KIT



**Nilfisk-Advance, Inc.**

14600 21st Avenue North  
Plymouth, MN, 55447-3408  
[www.nilfisk-advance.com](http://www.nilfisk-advance.com)

Phone: 800-989-2235

Fax: 800-989-6566

©2007 Nilfisk-Advance, Inc.,  
Plymouth, MN 55447-3408

Printed in Italy