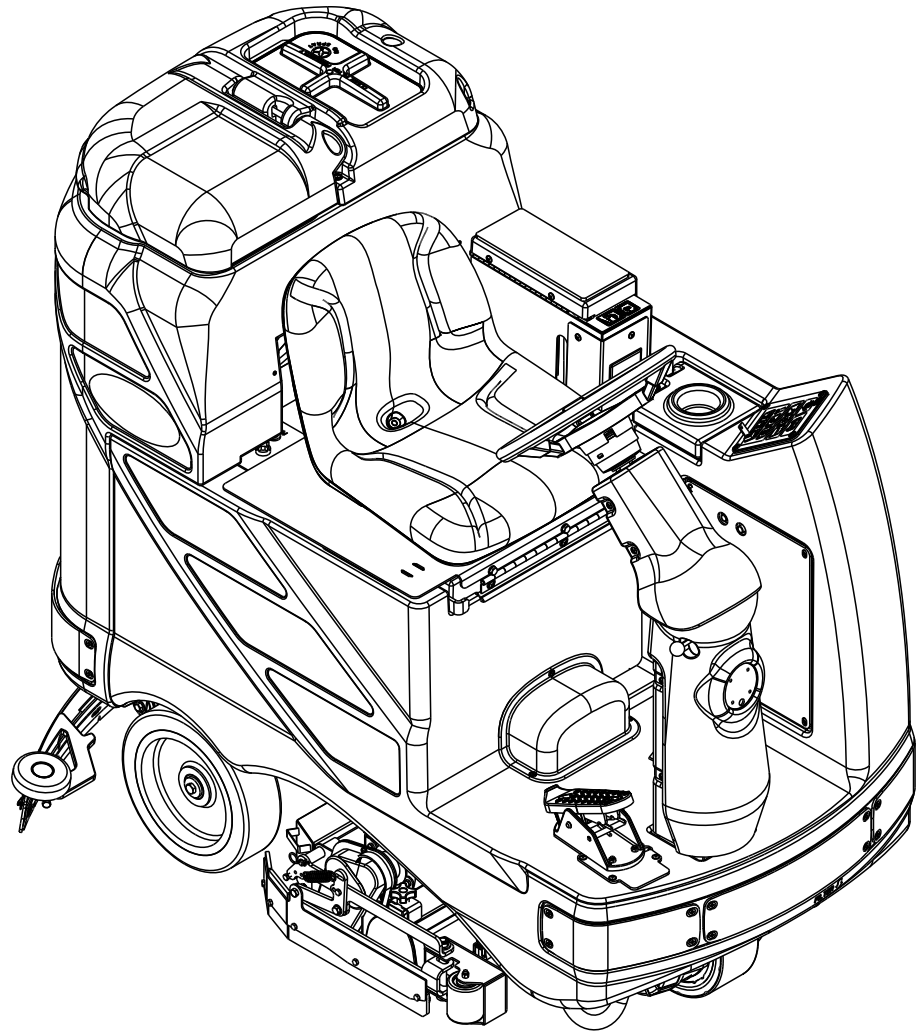


Adgressor™, Adgressor™ EcoFlex



PARTS LIST

MODELS: 56390900(2820D), 56390904(3220D), 56390902(2820C), 56390906(3220C)
56390908(3520D), 56390912(3820D), 56390910(3520C), 56390914(3820C),
56390903(2820C-AXP), 56390901(2820D-AXP), 56390907(3220C-AXP), 56390905(3220D-AXP),
56390911(3520C-AXP), 56390909(3520D-AXP), 56390915(3820C-AXP), 56390913(3820D-AXP)
56381000(X2820D), 56381003(X3220D), 56381005(X3520D), 56381007(X3820D)
56381002(X2820C), 56381004(X3220C), 56381006(X3520C), 56381008(X3820C)



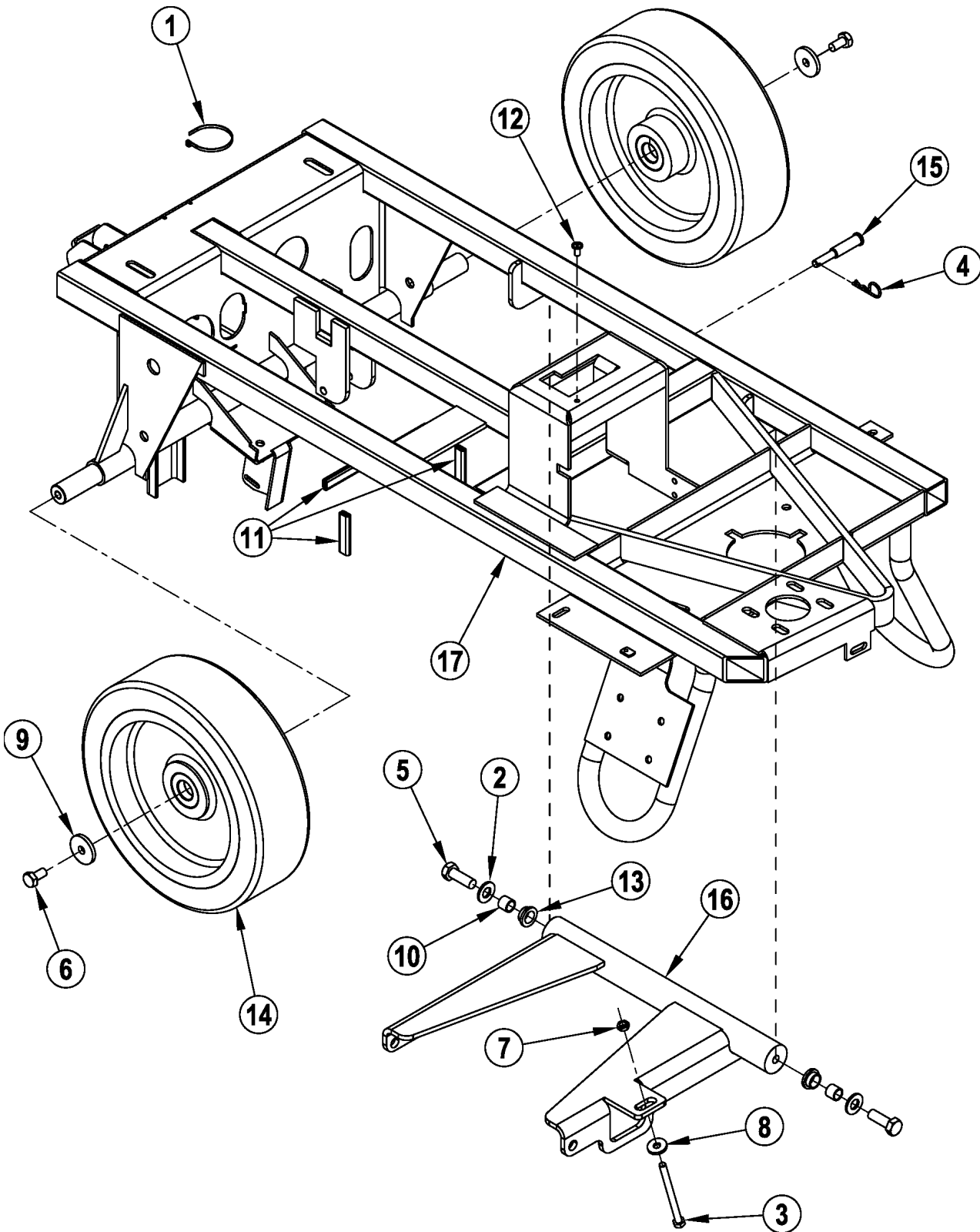
Advance

DESCRIPTION	PAGE
Chassis System	2-3
Decal System.....	4-5
Detergent Injection System.....	6-7
Drive & Brake Pedal Assemblies	8-9
Electrical Panel Assembly.....	10-11
Front Wheel Assembly.....	12-13
Recovery System.....	14-15
Scrub System-Cylindrical (28", 32" Models)	16-17
Scrub System-Cylindrical (35", 38" Models)	18-19
Scrub System-Disk (28", 32" Models).....	20-21
Scrub System-Disk (35", 38" Models).....	22-23
Skirt Assemblies-Cylindrical (All Models).....	24-25
Skirt Assemblies-Disk (28", 32" Models).....	26-27
Skirt Assemblies-Disk (35", 38" Models).....	28-29
Solution System (Standard).....	30-31
Solution System (EcoFlex)	32-33
Squeegee Assembly	34-35
Squeegee System	36-37
Steering Column Assembly.....	38-39
Battery Watering System	40-41
Wiring Diagram	42-43
Optional Kits and Accessories	44-45
Brush Selector Guide-Disk	46
Brush Selector Guide-Cylindrical.....	47
Squeegee Blade Selector Guide	48

WHEN ORDERING PARTS

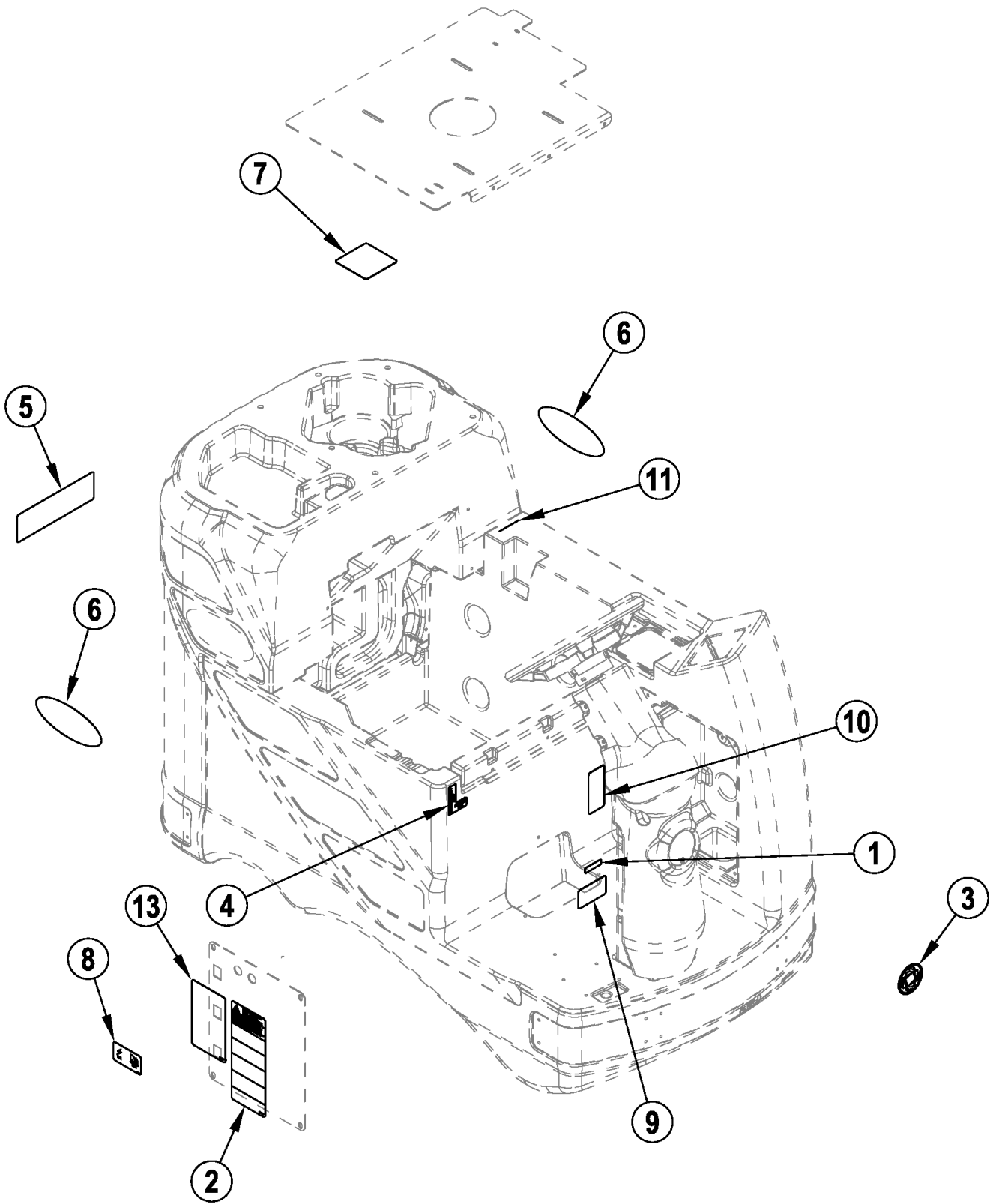
- * Use the numbers from the "Ref. No." columns in this parts list.
- * Specify the model and serial number of the machine.
- * Use the space below to record the model and serial number for future reference.

Model _____ Serial No. _____



Item	Ref. No.	Qty	Description
1	56478246	1	Tie, Cable
2	56001879	2	Wsh, Flt SAE 1/2
3	56002461	1	Scr, Hex Thd To Hd 5/16-18 x 4.00
4	56002959	1	Pin, Cotter Hair
5	56003412	2	Scr, Hex Nyl Loc M12-1.75 x 35mm
6	56003442	2	Scr, Hex Nyl Loc M10-1.50 x 20mm
7	56009086	1	Nut, Hex Jam 5/16-18
8	56009122	2	Wsh, Flt .344 x .938 x .125
9	56367117	2	Wsh, Flt .406 x 1.50 x .1875
10	56367206	2	Bushing
11	56412122	4	Trim Edge
12	56009062	1	Scr, Pan Phil Thd Form 1/4-20 x .50
13	56420160	2	Bearing, Flange
14	56601482	2	Assembly, Wheel and Bearing (each assembly includes two bearings)
	56412243	4	Bearing, Ball
15	56314152	1	Pin, Actuator
16	56314495	1	Linkage, Arm Weld't.
17	56390803	1	Weldment Chassis
[]	56478246	5	Cable Tie
[]	56477613	9	Cable Tie

[] = Not Shown



09-9

DECAL SYSTEM

10-1

Adgressor™**5**

Item	Ref. No.	Qty	Description
1	56014450	1	Decal, Patent Number
2	56014601	1	Decal, Caution
3	56015276	1	Decal, Logo
4	56015179	1	Decal, Emergency
5	56015229	1	Decal, Advance
6	56015230	2	Decal, Adgressor
	56016638	2	Decal, Adgressor AXP NOTE 1
	56381110	2	Decal-Adgressor EcoFlex NOTE 2
7	56015242	1	Decal, Battery Wiring
8	56016328	1	Decal, Circuit Breaker
9	56016401	1	Decal, Parking Brake
10	56015445	1	Decal, Solution Flow (not used on AXP or EcoFlex models)
11	56015281	1	Decal, Logo 2 Inch
13	56016407	1	Decal, Smart Solutions

NOTE 1: Only used on AXP models.

NOTE 2: Only used on EcoFlex models. AXP models are no longer in production and have been replaced by EcoFlex models.

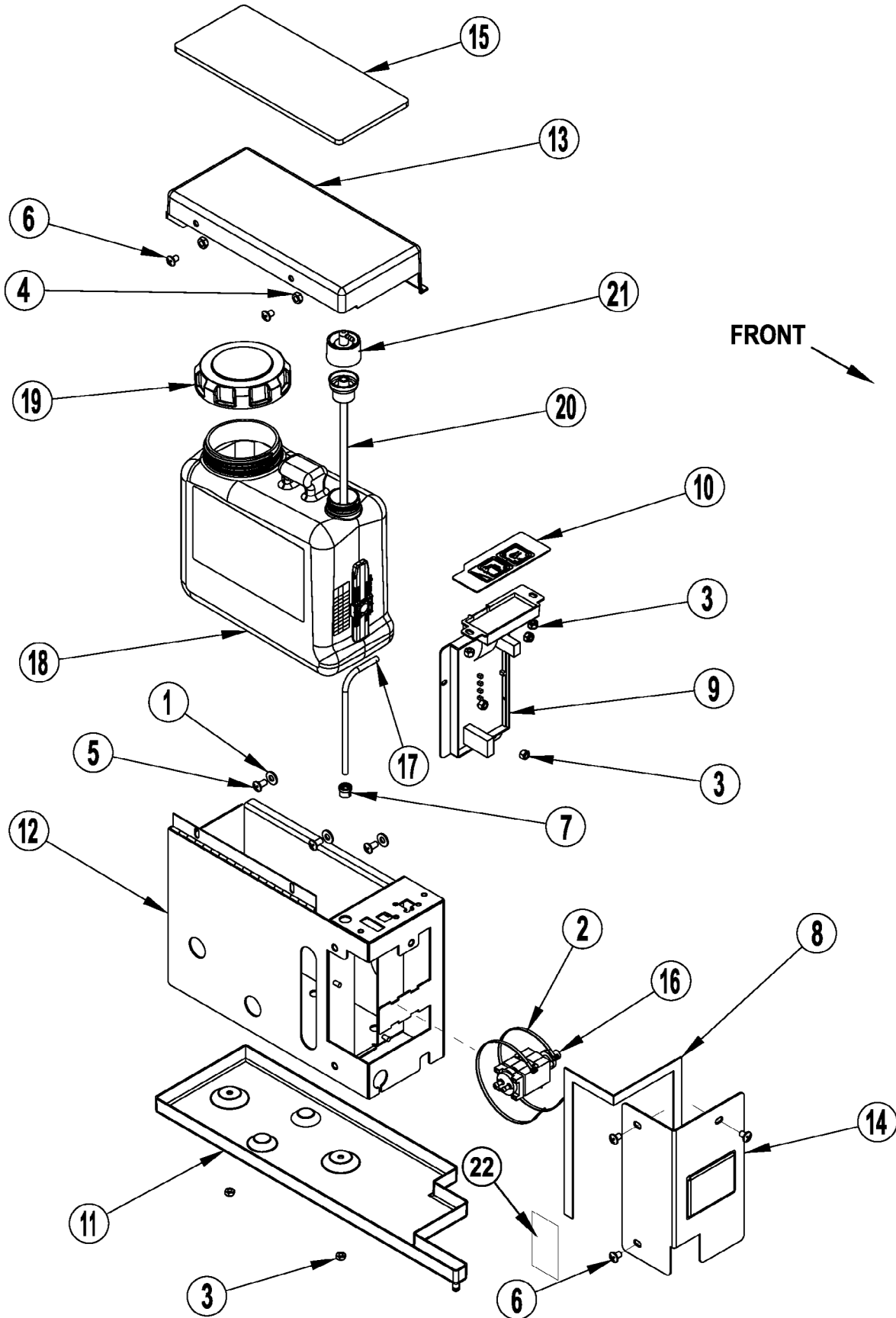
DETERGENT INJECTION SYSTEM

09-9

6

Adgressor™

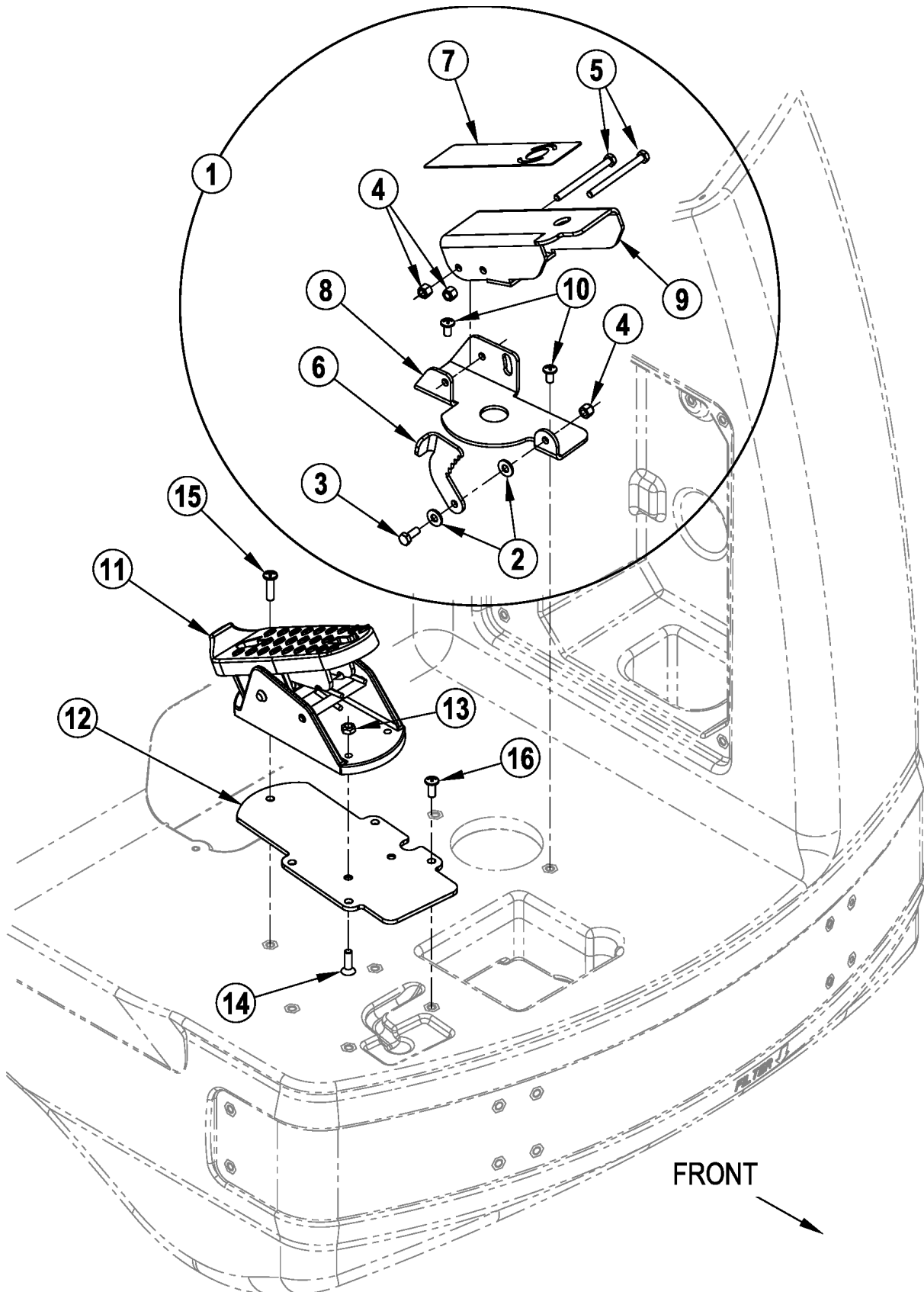
10-1



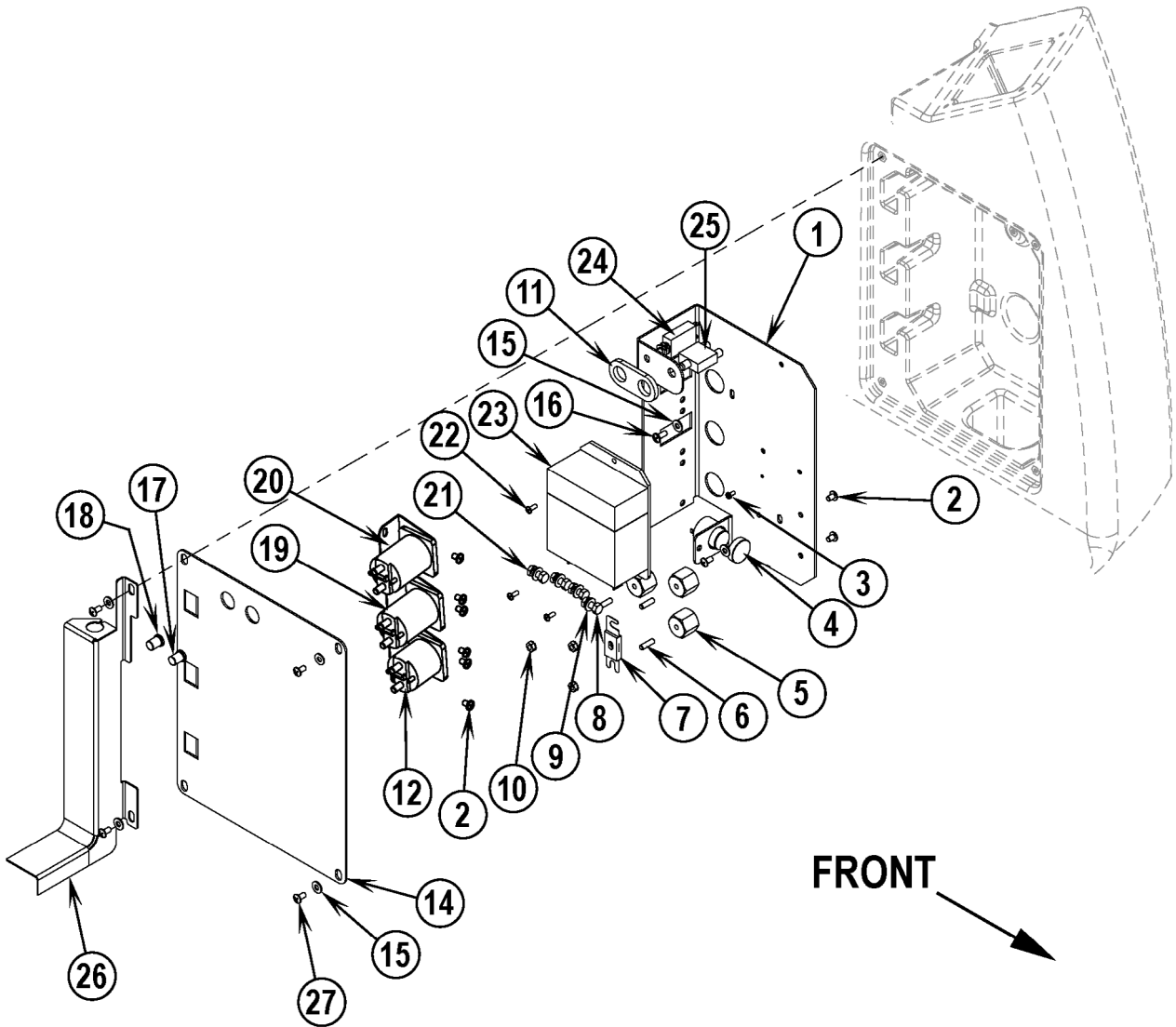
Item	Ref. No.	Qty	Description
	56316537	1	Detergent Injection Assembly (items 1-21) NOTE 1
	56381100	1	Detergent Injection Assembly (items 1-22) NOTE 2
1	56009025	3	Wsh, Flt .266 x .750 x .036
2	56478523	2	Tie, Cable
3	56002832	8	Nut, Hex Nyl Loc-Thin 10-24
4	56002840	2	Nut, Hex Nyl Loc-Thin 1/4-20
5	56002145	3	Scr, Pan Phil 1/4-20 x .50
6	56003580	5	Scr, Pan Phil SS 1/4-20 x .38
7	56003699	1	Bushing, 1/4 ID Snub
8	56200754	1	Gasket, Strip
9	56316110	1	Control Assembly NOTE 1
	56381078	1	Control Assembly NOTE 2
10	56314937	1	Control Decal NOTE 1
	56381056	1	Graphic Overlay NOTE 2
11	56314939	1	Tray, Detergent
12	56314944	1	Weldt-Detergent Box NOTE 1
	56381102	1	Weldt-Detergent Box NOTE 2
13	56314945	1	Cover, Detergent
14	56314946	1	Cover, Pump
15	56314953	1	Pad, Detergent
16	56314984	1	Pump, Detergent
17	56314991	1	Hose, Chem Resistant 14"
18	56315502	1	Chemical Bottle Assy NOTE 1
	56315511	1	Indicator Assy NOTE 1
**	56315503	A/R	Chem Bottle Assy (18-20) NOTE 1
	56601544	1	Chemical Bottle Assy NOTE 2
	56601545	1	Chem Bottle Assy (18-20) NOTE 2
19	56315517	1	Cap, Raw
20	56315527	1	Insert, Dry Break
21	56315523	1	Cap, Dry Break, 1/8 Barb, 90°
22	56381113	1	Decal-Chemical Ratio NOTE 2

NOTE 1: Only used on AXP models.

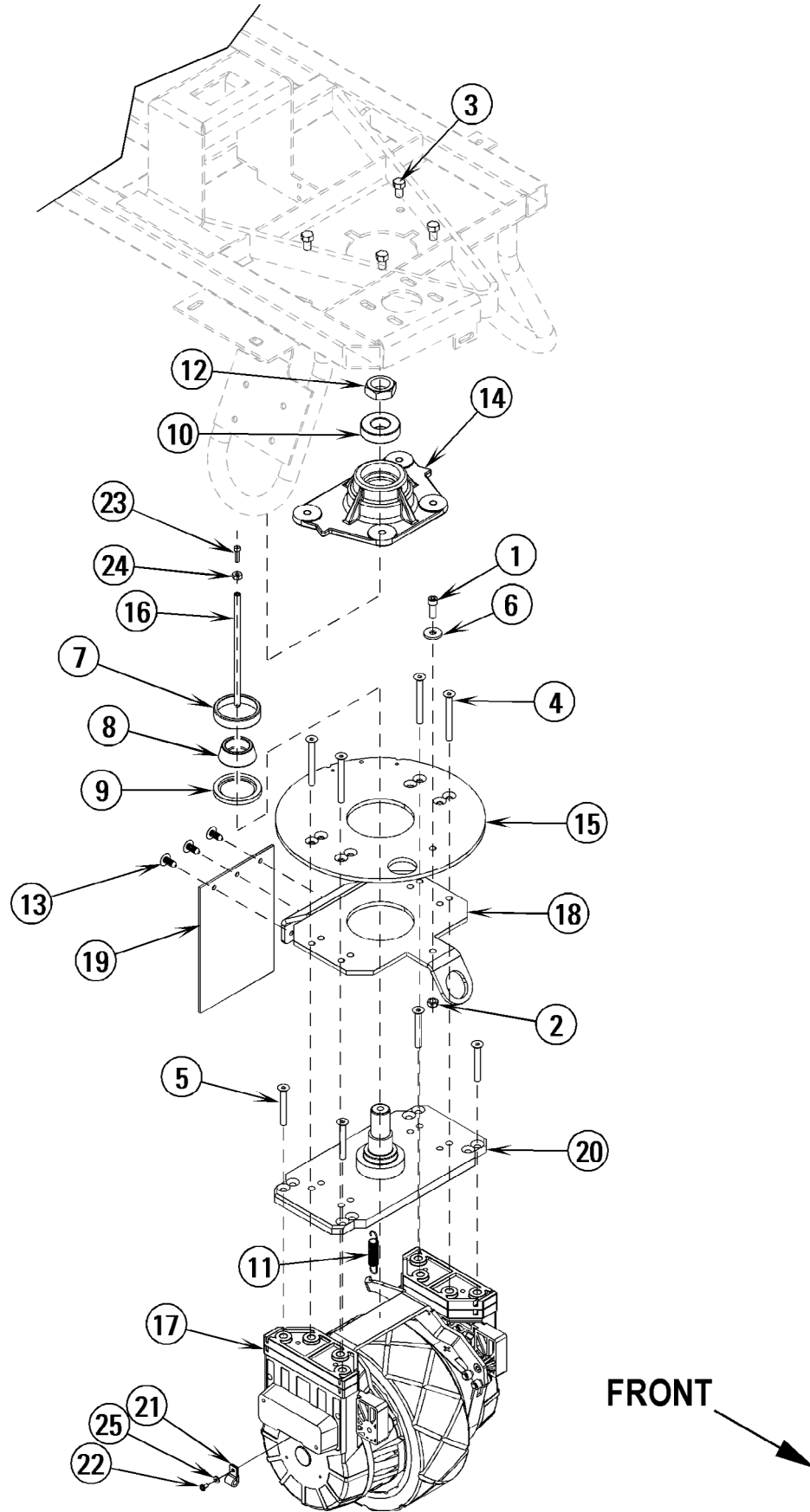
NOTE 2: Only used on EcoFlex models. AXP models are no longer in production and have been replaced by EcoFlex models.



Item	Ref. No.	Qty	Description
1	56314676	1	Brake Pedal Assy (2-9)
2	56002098	4	Wsh, Flt SAE 1/4
3	56003174	1	Scr, Hex Thd to Hd M6-1.0 x 16mm
4	56003403	5	Nut, Hex Nyl Loc M6-1.00
5	56003428	3	Scr, Hex M6-1.00 x 75mm
6	56314122	1	Lock, Brake
7	56314138	1	Mat, Pedal
8	56314677	1	Bracket, Brake
9	56314678	1	Pedal Weldment
10	56003119	7	Scr, Pan Phil SS 1/4-20 x .50
11	56601052	1	Foot Pedal Assy
12	56390812	1	Foot Pedal Plate
13	56002473	2	Nut, Hex Flex Loc 1/4-20
14	56003086	2	Scr, Flt Phil Ss 1/4-20 x .88
15	56002292	1	Scr, Pan Phil 1/4-20 x 1.00
16	56002989	4	Scr-Pan Phil SS 1/4-20 x .62



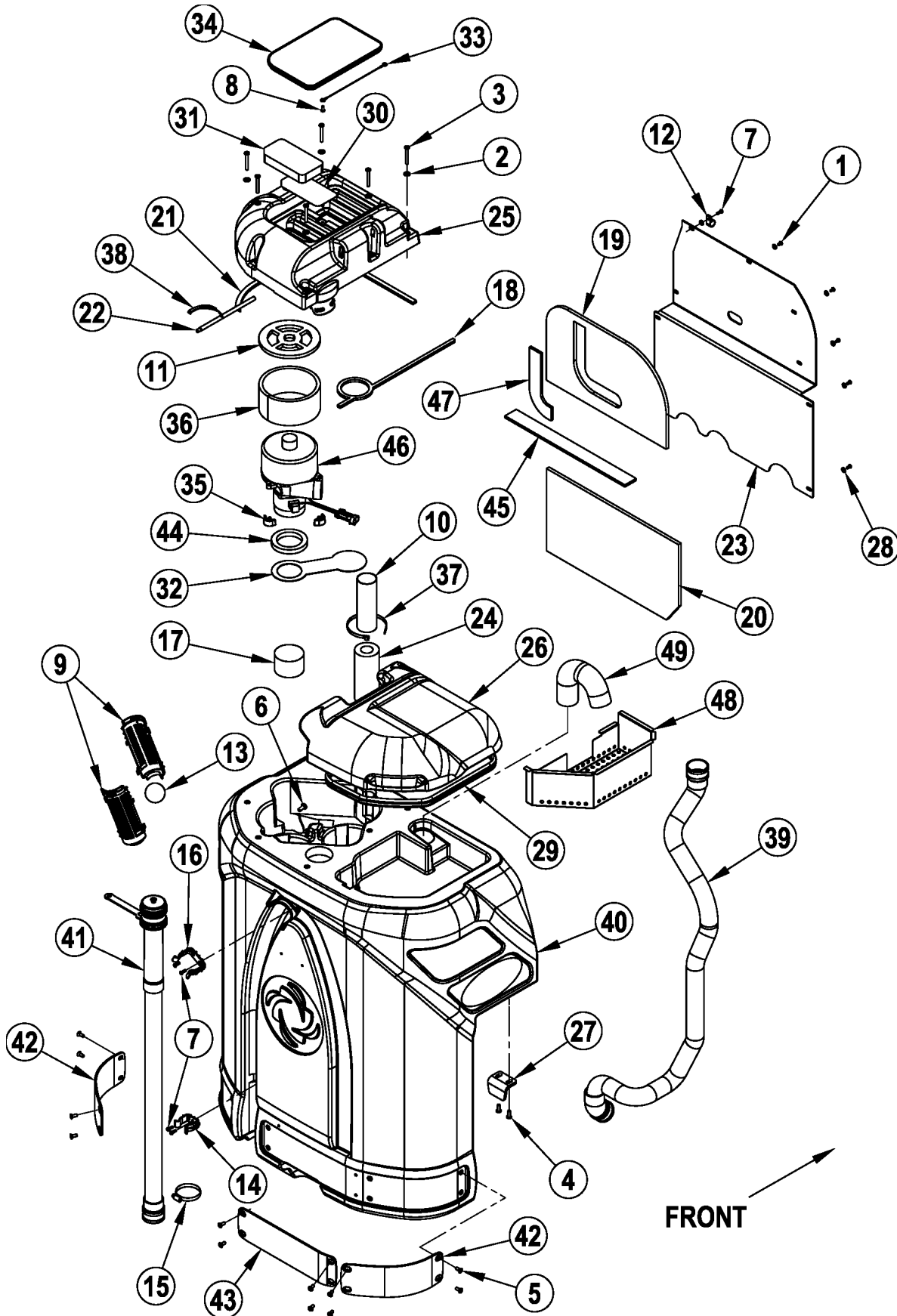
Item	Ref. No.	Qty	Description
1	56314668	1	Electrical Panel
2	56002462	9	Scr, Pan Phil 1/4-20 x .38
3	56009051	1	Scr, Pan Phil Thd Form 8-32 x .38
4	56412177	1	Horn / Backup Alarm (H1)
5	56469858	3	Standoff, Insulated
6	56009020	3	Stud
7	56412089	1	Fuse, 150 Amp
8	56001862	4	Scr, Hex Hd 5/16-18 x .50
9	56009052	4	Wsh, Int SHPRF 5/16
10	56002561	3	Nut, Hex W/SHPRF 1/4-20
11	56407193	1	Gasket
12	56395455	1	Contactor (Vac Motor / K2)
14	56109534	1	Cover, Electrical
15	56002098	6	Wsh, Flt SAE 1/4
16	56002066	2	Scr, Pan Phil 1/4-20 x .62
17	56459369	1	Boot, Reset Button
18	56459367	1	Boot, Reset Button
19	56395453	1	Contactor (Brush Drive / K1)
20	56395453	1	Contactor (Wheel Drive / K3)
21	56009086	4	Nut, Hex Jam 5/16-18
22	56001993	3	Scr, Pan Phil 10-24 x .50
23	56390856	1	Controller, Speed
24	56387316	1	Circuit Breaker, 10 Amp (Control Circuit / F3)
25	56454429	1	Circuit Breaker, 70 Amp (Wheel Drive / F2)
26	56314956	1	Weldment, Harness Guide (Detergent Injection models only)
27	56002989	4	Scr-Pan Phil SS 1/4-20 x .62



Item	Ref. No.	Qty	Description
1	56002158	1	Scr, Soc Hd 5/16-18 x .88
2	56002826	1	Nut, Hex Nyl Loc-Thin 5/16-18
3	56003040	4	Scr, Hex Hd Loc 3/8-16 x .62
4	56003273	4	Scr, Soc Hd M8-1.25 x 70mm
5	56003274	4	Scr, Soc Hd M8-1.25 x 55mm
6	56009122	1	Wsh, Flt .344 x .938 x .125
7	56158143	1	Bearing Cup
8	56158151	1	Bearing Cone
9	56171081	1	Seal, Shaft
10	56378380	1	Bearing, Ball
11	56481699	1	Spring
12	56003220	1	Nut, Hex Nyl Loc-Thin 1-14 UNF
13	56003263	3	Rivet, Nylon Tree Push-In
14	56314032	1	Block, Bearing
15	56314116	1	Plate, Steering
16	56314157	1	Rod, Brake
17	56390817	1	Motor / Drive Wheel Assy (M3)
[]	56380506	1	Motor/Drive Wheel Kit
[]	56316637	1	Drive Wheel Harness Kit
[]	56314289	1	Brake Band
[]	56390814	1	Drive Wheel-Blue Urethane
[]	56412325	1	Carbon Brush Kit
[]	56412320	1	Brush Cover Kit
[]	56412321	1	Sealing Ring
[]	56412322	1	Bearing, ball Gearbox Side
[]	56412323	1	Bearing, Ball Brush Side
[]	56314282	1	Brake Bar
[]	56109589	1	Connector Box
[]	56109590	1	Cover-Connector Box
18	56314278	1	Plate, Splash Guard
19	56314283	1	Splash Guard
20	56314085	1	Spindle Weldment
21	56305317	1	Clamp, P
22	56003653	1	Scr, Pan Phil M4 x 8
23	56003611	1	Scr-Pan Phil SS 10-24 x .88
24	56009293	1	Nut, Hex Machine SS 10-24
25	56002006	1	Wsh, Flt SAE #6

[] = Not Shown

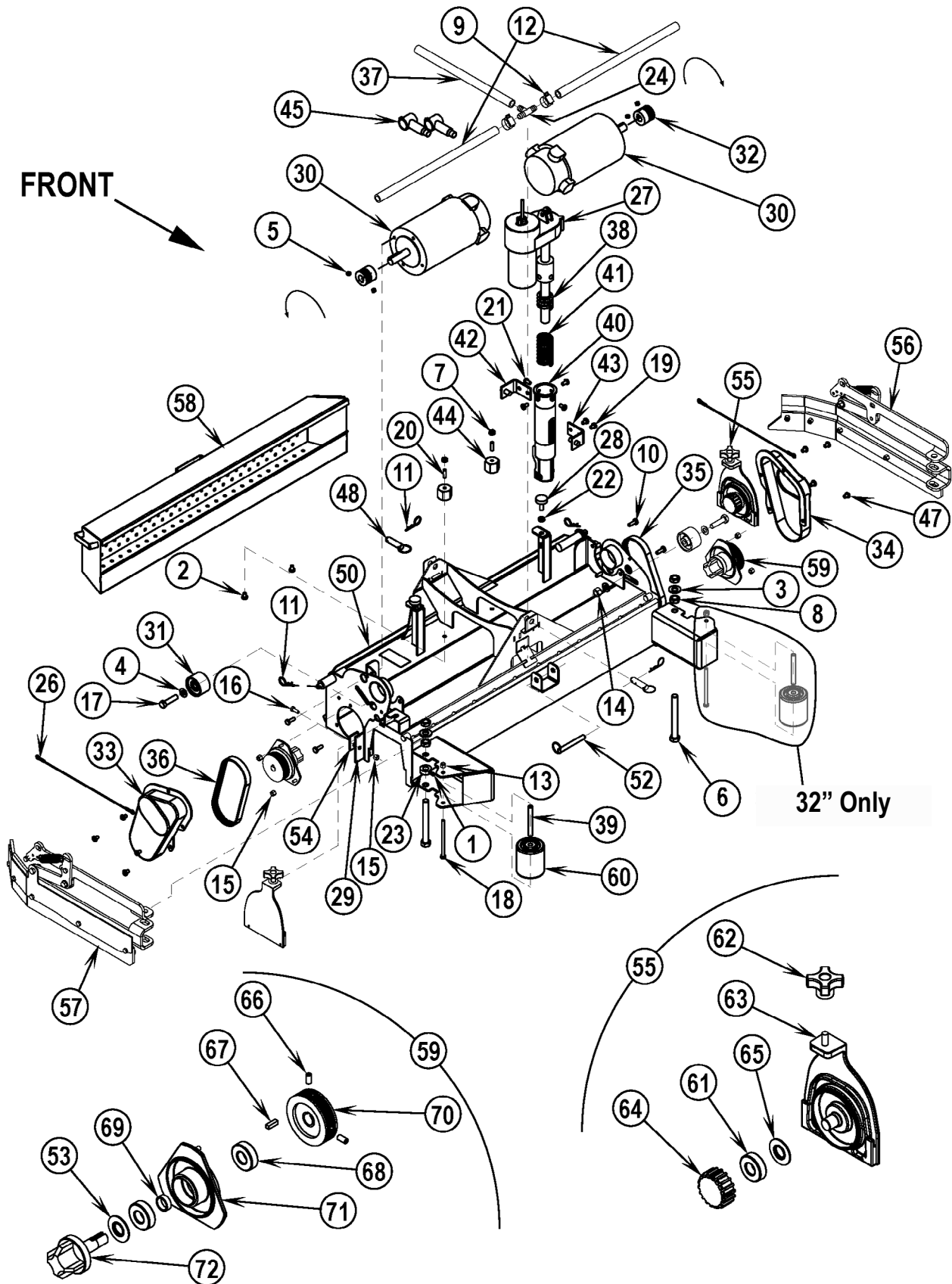
** = Optional



Item	Ref. No.	Qty	Description
1	56002043	8	Scr, Pan Phil 10-24 x .38
2	56002098	7	Wsh, Flt SAE 1/4
3	56002108	6	Scr, Pan Phil 1/4-20 x 2.00
4	56002507	4	Scr, Pan Phil 1/4-20 x .75
5	56002760	12	Scr, Flt Phil 1/4-20 x .62
6	56002793	1	Scr, Pan Phil 5/16-18 x .75
7	56002896	5	Scr, Pan Phil SS 10-24 x .62
8	56009191	2	Scr, Pan Phil Plastite 10-14 x .50
9	56324497	2	Cage, Float
10	56458457	1	Hose, Vac 2.00 x 6.00
11	56314704	1	Gasket
12	56385564	1	Clamp, P
13	56391690	1	Ball, Float
14	56407361	1	Clamp, Plastic
15	56440213	3	Clamp, Hose SAE #32
16	56212236	1	Clamp, Plastic
17	56314098	2	Foam Cylinder
18	56314099	1	Gasket
19	56314100	1	Muffler, Top Panel
20	56314101	1	Muffler, Bottom Panel
21	56314103	1	Gasket
22	56314115	1	Pin, Cover Pivot
23	56314749	1	Cover, Exhaust
24	56391807	1	Foam, Acoustical
25	56314201	1	Cover, Vac Motor
26	56314203	1	Lid, Recovery
27	56314220	2	Tank Mount Bracket
28	56001954	9	Wsh, Flt SAE #10
29	56314371	1	Gasket
30	56314372	1	Screen, Filter
31	56314373	1	Filter
32	56314376	1	Plate, Separator
33	56314400	1	Wire Rope, 9 Inch
34	56109539	1	Lid, Vac Filter
35	56314484	3	Mount, Vibration
36	56314488	1	Muffler, Vac
37	56477613	1	Tie, Cable
38	56314509	1	Spring
39	56390862	1	Vac Hose Assy.
40	56390832	1	Tank, Recovery
41	56601401	1	Drainhose
[]	56601411	1	Drain Hose Cap Kit
[]	56601410	1	Drain Hose Extension
42	56314639	2	Bumper, Rear
43	56314656	1	Bumper, Rear Middle
44	56314760	1	Gasket, Vacuum Duct
45	56314706	1	Foam, Sound
46	56397228	1	Motor, Vac 36VDC (M5)
[]	56212223	1	Carbon Brush Set
[]	56314251	1	Harness, Vac
47	56314705	1	Foam, Sound
48	56109695	1	Strainer Basket
49	56390848	1	Formed Hose

[] = Not Shown

FRONT



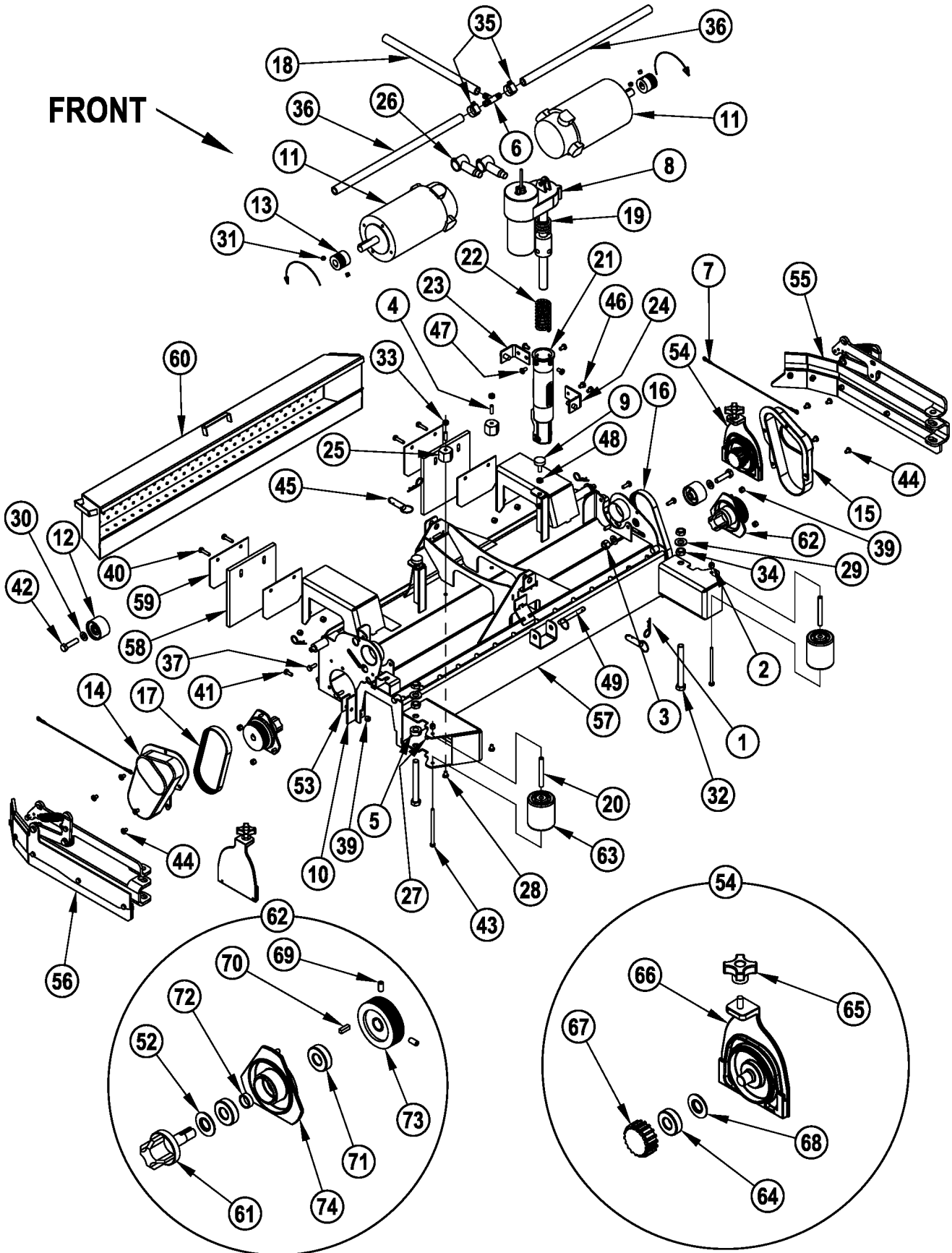
Item	Ref. No.	Qty	Description	Item	Ref. No.	Qty	Description
1	56001841	2	Scr, Soc Set Loc 1/4-20 x .25	35	56407465	1	Belt, Poly V 180J6
2	56001861	2	Scr, Hex Hd 1/4-20 x .38	36	56407466	1	Belt, Poly V 190J6
3	56001879	2	Wsh, Flt SAE 1/2	37	56409462	1	Hose, Spiral
4	56002063	4	Wsh, Flt SAE 3/8	38	56412071	1	Compression Spring
5	56002086	4	Scr, Soc Set Loc 5/16-18 x .25	39	56412176	1	Bushing (qty of 2 on 32")
6	56002484	2	Scr, Hex Hd 1/2-13 x 4.50	40	56412262	1	Housing, Spring
7	56002561	2	Nut, Hex W/ Shprf 1/4-20	41	56420018	1	Compression Spring
8	56002843	4	Nut, Hex Nyl Loc-Thin 1/2-13	42	56420019	1	Nut Retainer
9	56112771	2	Clamp, Hose	43	56420020	1	Nut Retainer
10	56002948	6	Scr, Hex Hd Loc 1/4-20 x .75	44	56469858	2	Standoff, Insulated
11	56002959	4	Pin, Cotter Hair	45	56493357	2	Insulator, Terminal
12	56316553	2	Manifold, PVC 28	47	56003603	8	Scr, Pan Phil Thd Form 1/4-20 x .38
	56316552	2	Manifold, PVC 32	48	56003671	2	Pin, Ring .50 x 1.25
13	56003403	1	Nut, Hex Nyl Loc M6-1.00 (qty of 2 on 32")	49	NA	1	Accessory Plate Data Plate
14	56003406	2	Nut, Hex Nyl Loc M10-1.50	50	56316570	1	Housing Weld't, 28"
15	56003426	8	Nut, Hex Nyl Loc SS M6 x 1.0		56316571	1	Housing Weld't, 32"
16	56003431	2	Scr, Hex Hd SS M6-1.0 x 16mm	51	56314254	1	Harness, Brush Motor (Not Shown)
17	56003491	2	Scr, Hex M10-1.50 x 40mm	52	56314294	1	Pin, Hitch Cotterless
18	56003492	1	Scr, Hex M6-1.0 x 95mm (qty of 2 on 32")	53	56407558	1	Washer, Bearing
19	56009019	2	Scr, Hex Thd Form 1/4-20 x .38	54	56314436	2	Strap
20	56009020	2	Stud	55	56314445	2	Idler End Assy (61-65)
21	56009062	4	Scr, Pan Phil Thd Form 1/4-20 x .50	56	56314648	1	Left Skirt Assy NOTE 2
22	56009086	4	Nut, Hex Jam 5/16-18	57	56314649	1	Right Skirt Assy NOTE 2
23	56152811	2	Collar	58	56397442	1	Hopper Weld't, 28"
24	56262549	1	Tee, Barb		56397443	1	Hopper Weld't, 32"
26	56330391	2	Wire Rope, 12 Inch	59	56407559	2	Drive End Assy (53, 66-72)
27	56393303	1	Lift Actuator, Brush (M1)	60	56412459	1	Wheel (qty of 2 on 32")
[]	56388520	1	Plastic Nut	61	56106070	1	Bearing, Ball
28	56401783	2	Leveler	62	56407303	1	Knob
29	56407391	2	Blade	63	56315447	1	Idler Bearing Plate
30	56407431	2	Motor, 36VDC, .75HP (M7 & M8)	64	56407551	1	Hub
[]	56407489	1	Armature	65	56407558	1	Washer, Bearing
[]	56407490	1	Bearing	66	56002119	2	Scr, Soc Set Loc 1/4-20 x .50
[]	56407492	1	Brush Cap Assy	67	56003237	1	Key, Sq. .19 x .62
[]	56407493	4	Carbon Brush Assy	68	56106070	2	Bearing, Ball
[]	56407494	4	Brush Cover Cap	69	56407389	1	Spacer
31	56407432	2	Idler, Belt	70	56407442	1	Sheave, Poly-V
32	56407433	2	Sheave, Poly-V	71	56315405	1	Bearing Plate
33	56407434	1	Guard, Right Belt	72	56109527	1	Spindle
34	56407435	1	Guard, Left Belt				

[] = Not Shown

NOTE: See "BRUSH SELECTOR GUIDE" at back of manual for available scrub brushes.

NOTE 2: See "SKIRT ASSEMBLIES-CYLINDRICAL".

FRONT



Item	Ref. No.	Qty	Description	Item	Ref. No.	Qty	Description
1	56002959	4	Pin, Cotter Hair	35	56112771	2	Clamp, Hose SAE #10
2	56003403	2	Nut, Hex Nyl Loc M6-1.00	36	56316551	2	Manifold, PVC 35
3	56003406	2	Nut, Hex Nyl Loc M10-1.50		56316550	2	Manifold, PVC 38
4	56009020	2	Stud	37	56002948	6	Scr, Hex Hd Loc 1/4-20 x .75
5	56152811	2	Collar	39	56003426	12	Nut, Hex Nyl Loc SS M6 x 1.0
6	56262549	1	Tee, Barb	40	56003430	4	Scr, Hex Hd SS 6-1.0 x 25mm
7	56330391	2	Wire Rope, 12 Inch	41	56003431	2	Scr, Hex Hd SS M6-1.0 x 16mm
8	56393303	1	Actuator, Motor (M1)	42	56003491	2	Scr, Hex M10-1.50 x 40mm
[]	56388520	1	Plastic Nut	43	56003492	2	Scr, Hex M6-1.0 x 95mm
9	56401783	2	Leveler	44	56003603	8	Scr, Pan Phil Thd Form 1/4-20 x .38
10	56407391	2	Blade	45	56003671	2	Pin, Ring .50 x 1.25
11	56407431	2	Motor, 36VDC, .75 HP (M7 & M8)	46	56009019	2	Scr, Hex Thd Form 1/4-20 x .38
[]	56407489	1	Armature	47	56009062	4	Scr, Pan Phil Thd Form 1/4-20 x .50
[]	56407490	1	Bearing	48	56009086	4	Nut, Hex Jam 5/16-18
[]	56407492	1	Brush Cap Assy	49	NA	1	Accessory Plate Data Plate
[]	56407493	4	Carbon Brush Assy	50	56314254	1	Harness, Brush Motor (Not Shown)
[]	56407494	4	Brush Cover Cap	51	56314294	1	Pin, Hitch Cotterless
12	56407432	2	Idler, Belt	52	56407558	1	Washer, Bearing
13	56407433	2	Sheave, Poly-V	53	56314436	2	Strap
14	56407434	1	Guard, Right Belt	54	56314445	2	Idler End Assy (64-68)
15	56407435	1	Guard, Left Belt	55	56314648	1	Left Skirt Assy NOTE 3
16	56407465	1	Belt, Poly V 180J6	56	56314649	1	Right Skirt Assy NOTE 3
17	56407466	1	Belt, Poly V 190J6	57	56316572	1	Housing Weld't 35"
18	56409462	1	Hose, Spiral		56316573	1	Housing Weld't 38"
19	56412071	1	Compression Spring	58	56314860	1	Kit, Deck Blade Cyl Linatex (Standard) NOTE 2
20	56412176	2	Bushing		56390991	1	Blade Kit Cyl PU NOTE 2
21	56412262	1	Housing, Spring	#	56390791	1	Kit Cyl Blade Gum NOTE 2
22	56420018	1	Compression Spring	59	56314867	4	Strap
23	56420019	1	Nut Retainer	60	56314870	1	Hopper Weld't-35
24	56420020	1	Nut Retainer		56314869	1	Hopper Weld't-38
25	56469858	2	Standoff, Insulated	61	56109527	1	Spindle
26	56493357	2	Insulator, Terminal	62	56407559	2	Drive End Assy (52, 61, 69-74)
27	56001841	2	Scr, Soc Set Loc 1/4-20 x .25	63	56412459	2	Wheel
28	56001861	2	Scr, Hex Hd 1/4-20 x .38	64	56106070	1	Bearing, Ball
29	56001879	2	Wsh, Flt SAE 1/2	65	56407303	1	Knob
30	56002063	4	Wsh, Flt SAE 3/8	66	56315447	1	Idler Bearing Plate
31	56002086	4	Scr, Soc Set Loc 5/16-18 x .25	67	56407551	1	Hub
32	56002484	2	Scr, Hex Hd 1/2-13 x 4.50	68	56407558	1	Washer, Bearing
33	56002561	2	Nut, Hex W/ Shprf 1/4-20	69	56002119	2	Scr, Soc Set Loc 1/4-20 x .50
34	56002843	4	Nut, Hex Nyl Loc-Thin 1/2-13	70	56003237	1	Key, Sq. .19 x .62
				71	56106070	2	Bearing, Ball
				72	56407389	1	Spacer
				73	56407442	1	Sheave, Poly-V
				74	56315405	1	Bearing Plate

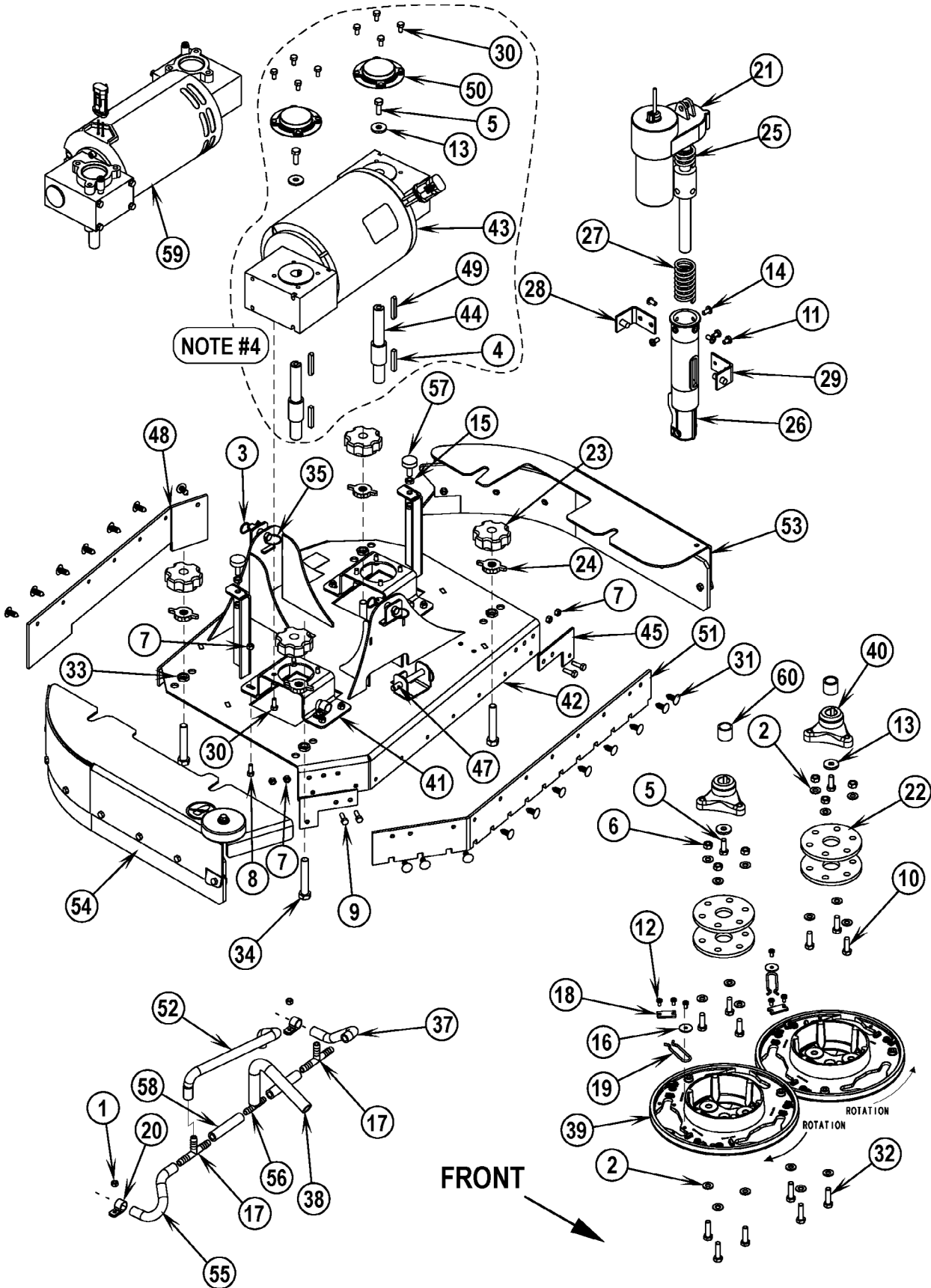
[] = Not Shown

= Revised or new since last update

NOTE 1: See "BRUSH SELECTOR GUIDE" at back of manual for available scrub brushes.

NOTE 2: Deck Blade Kits include two (item 58) Blades and two blades for use in Skirt Assemblies (items 55 & 56).

NOTE 3: See "SKIRT ASSEMBLIES-CYLINDRICAL".



Item	Ref. No.	Qty	Description	Item	Ref. No.	Qty	Description
1	56002768	2	Nut, Hex Nyl Loc 10-24	43	56314141	1	Motor Gearbox Assy (28")
2	56002938	18	Wsh, Flt SAE SS 5/16		56314335	1	Motor Gearbox Assy (32") NOTE 4
3	56002959	4	Pin, Cotter Hair				
4	56003246	2	Key, Sq .25 x 1.62 NOTE 4	[]	56314359	2	Key, 6mm Square
**	56315722	1	Kit, Gum Rubber NOTE 3	[]	56314499	2	Cover, Gearbox
**	56315721	1	Kit, Red Gum Rubber NOTE 3	[]	56314560	2	Gearbox
5	56003335	2	Scr Hex Loc SS 5/16-18 x .88 NOTE 3	[]	56314580	1	Bearing (Fan End)
6	56003405	6	Nut, Hex Nyl Loc SS M8 x 1.25	[]	56412323	1	Bearing (Brush End)
7	56003426	12	Nut, Hex Nyl Loc SS M6 x 1.0	[]	56314582	1	Brush Ring
8	56003431	8	Scr, Hex Hd SS M6-1.0 x 16mm	[]	56314583	4	Carbon Brush
9	56003443	4	Scr, Hex Hd SS M6-1.00 x 20mm (28")	[]	56314584	1	Safety Hook
10	56003477	6	Scr, Hex Loc SS M8-1 x 25mm	44	56314218	2	Shaft, Hub Mount NOTE 4
11	56009019	2	Scr, Hex Thd Form 1/4-20 x .38	45	56314261	2	Skirt Bracket, Forward (28")
12	56009030	6	Scr, Pan Phil Thd Form 10-24 x .38	46	56315705	2	Spacer NOTE 3
13	56009057	2	Wsh, Flt Harden .344 x 1.000x.120/.135 NOTE 3	47	56314294	1	Pin, Hitch Cotterless
14	56009062	4	Scr, Pan Phil Thd Form 1/4-20 x .50	48	-		See Disk Deck Blade Kits below
15	56009086	4	Nut, Hex Jam 5/16-18	49	56314359	2	Key, 6mm Sq NOTE 4
16	56009096	2	Wsh, Flt .193 x .875 x .060	50	56314499	2	Cover, Gearbox NOTE 4
17	56249280	2	Tee, Barb	51	-		See Disk Deck Blade Kits below
18	56366455	2	Plate, Stop	52	56412189	1	Hose, Spiral .375
19	56366463	2	Spring Retainer	53	56314897	1	Skirt Assy Left 28" NOTE 6
20	56385564	2	Clamp, P		56314898	1	Skirt Assy Left 32" NOTE 6
21	56393303	1	Actuator, Motor (M1)	54	56314896	1	Skirt Assy Right NOTE 6
[]	56388520	1	Plastic Nut	55	56392277	1	Tube, Solution
22	56407053	4	Thermoid Disk	56	56397300	1	Tee, Barb
23#	56407114	4	Knob TSBUS2010-1060	57	56401783	2	Leg Leveler 5/16-18
24	56407334	4	Knob	58	56412187	2	Hose, Spiral,.375
25	56412071	1	Compression Spring	59	56315704	1	Gearbox Assy (32"/ M7) NOTE 3
26	56412262	1	Housing, Spring	[]	56315711	2	Gearbox
27	56420018	1	Compression Spring				
28	56420019	1	Nut Retainer				
29	56420020	1	Nut Retainer				
30	56003211	16	Scr, Hex Hd SS M6-1.0 x 12mm NOTE 4				
	56002885	6	Scr, Hex SS 3/8-16 x .75 NOTE 3	**	56314913	1	Kit, Gum Rubber 28 Disk NOTE 2
31	56003263	18	Rivet, Nylon Tree Push-In (.25)		56314917	1	Kit, Linatex 28 Disk (Standard) NOTE 2
32	56003639	6	Scr, Hex Hd SS M8-1.25 x 30mm	**	56390967	1	Blade Kit-Disk PU NOTE 2
33	56003657	4	Nut Hex Jam SS M12-1.75				
34	56003658	4	Scr Hex Thd To Hd SS M12-1.75 x 70mm				
35	56003671	2	Pin, Ring .50 x 1.25				
37	56249682	1	Tube, Solution				
38	56262180	1	Tube Spiral .375				
39	56314030	2	Brush Holder				
40	56314108	2	Hub, Drive				
41	56314053	2	Bracket, Motor NOTE 4				
	56315701	2	Bracket, Motor NOTE 3				
42	56314081	1	Weld't, Disk Deck 28"				
	56314090	1	Weld't, Disk Deck 32"				

[] = Not Shown

** = Optional

= Revised or new since last update

NOTE 1: See "BRUSH SELECTOR GUIDE" at back of manual for available scrub brushes.

NOTE 2: These Disk Deck Blade Kits include the mounting fasteners (Rivet, Nylon Tree Push-In 56003263 item 31), the two blades (items 51 & 59) and two blades for use in Skirt Assemblies (items 53 & 54).

NOTE 3: Only used on 32" models.

NOTE 4: Used on all 28" models.

NOTE 6: See "SKIRT ASSEMBLIES-DISK (28", 32)".

Item	Ref. No.	Qty	Description	Item	Ref. No.	Qty	Description
1	56002959	2	Pin, Cotter Hair	36	56302015	1	Hose, Spiral .375
2	56366455	3	Plate, Stop	37	56304601	2	Plate
3	56393303	1	Actuator, Motor (M1)	38	56314030	3	Brush Holder
*	56388520	1	Plastic Nut	39	56314108	3	Hub, Drive
4	56407053	6	Thermoid Disk	40	56314261	2	Skirt Bracket, Forward (38")
5#	56407114	4	Knob TSBUS2010-1060	41	56314294	1	Pin, Hitch Cotterless
6	56407334	4	Knob	42	56900034	4	Barb, Adapter 3/8 X 1/4NPT
7	56412071	1	Compression Spring	43	56314359	3	Key, 6mm Sq
8	56412262	1	Housing, Spring	44	56314499	3	Cover, Gearbox
9	56420018	1	Compression Spring	45	56314683	1	Weldment, Deck
10	56420019	1	Nut Retainer	46	56314687	3	Shaft, Hub Mount
11	56420020	1	Nut Retainer	47	-		See Disk Deck Blade Kits below
12	56002020	4	Scr, Pan Phil 10-24 x 1.75	48	56314789	3	Motor Gearbox Assembly (M7, M8, M10)
13	56002220	6	Wsh, Flt Std 5/16	[]	56314785	A/R	Gearbox, Replacement
14	56002768	4	Nut, Hex Nyl Loc 10-24	[]	56314784	A/R	Motor, Replacement
15	56002938	18	Wsh, Flt SAE SS 5/16	[]	56314786	A/R	Kit, Carbon Brush (1 kit per motor)
16	56003211	24	Scr, Hex Hd SS M6-1.0 x 12mm	49	56314790	1	Manifold, Solution
17	56003246	3	Key, Sq .25 x 1.62	50	-		See Disk Deck Blade Kits below
18	56003263	21	Rivet, Nylon Tree Push-In (.25)	51	56314820	1	Skirt Assembly Right NOTE 4
19	56003335	6	Scr Hex Loc SS 5/16-18 x .88	52	56314821	1	Skirt Assembly Left NOTE 4
20	56003405	9	Nut, Hex Nyl Loc SS M8 x 1.25	53	56314868	3	Bracket, Motor
21	56003426	13	Nut, Hex Nyl Loc SS M6 x 1.0	54	56314902	2	Bracket, Motor Guard
22	56003431	9	Scr, Hex Hd SS M6-1.0 x 16mm	55	56373456	1	Barb, Adapter 1/2 x 1/4NPT
23	56003443	4	Scr, Pan Phil M6-1.00 x 20mm (38")	56	56385564	4	Clamp, P
24	56003477	9	Scr, Hex Loc SS M8-1 x 25mm	57	56397081	3	Spring Retainer
25	56003639	9	Scr, Hex Hd SS M8-1.25 x 30mm	58	56401783	2	Leg Leveler 5/16-18
26	56003657	4	Nut Hex Jam SS M12-1.75	59	56409462	1	Hose, Spiral .500
27	56003658	4	Scr Hex Thd To Hd SS M12-1.75 x 70mm	60	56478246	3	Tie, Cable
28	56003671	2	Pin, Ring .50 x 1.25				
29	56009019	2	Scr, Hex Thd Form 1/4-20 x .38				35" Disk Deck Blade Kit
30	56009030	13	Scr, Pan Phil Thd Form 10-24 x .38		56314846	1	Kit, Linatex 35 Disk (Standard) NOTE 2
31	56009062	4	Scr, Pan Phil Thd Form 1/4-20 x .50	**	56390927	1	Blade Kit-Disk PU NOTE 2
32	56009086	4	Nut, Hex Jam 5/16-18				38" Disk Deck Blade Kits
33	56009096	3	Wsh, Flt .193 x .875 x .060		56314848	1	Kit, Linatex 38 Disk (Standard) NOTE 2
34	56391771	3	Hose, Spiral .375	**	56390953	1	Blade Kit-Disk PU NOTE 2
35	56261421	1	Plug, Hex Pipe	**	56390796	1	Blade Kit-DiskGum NOTE 2

[] = Not Shown

** = Optional

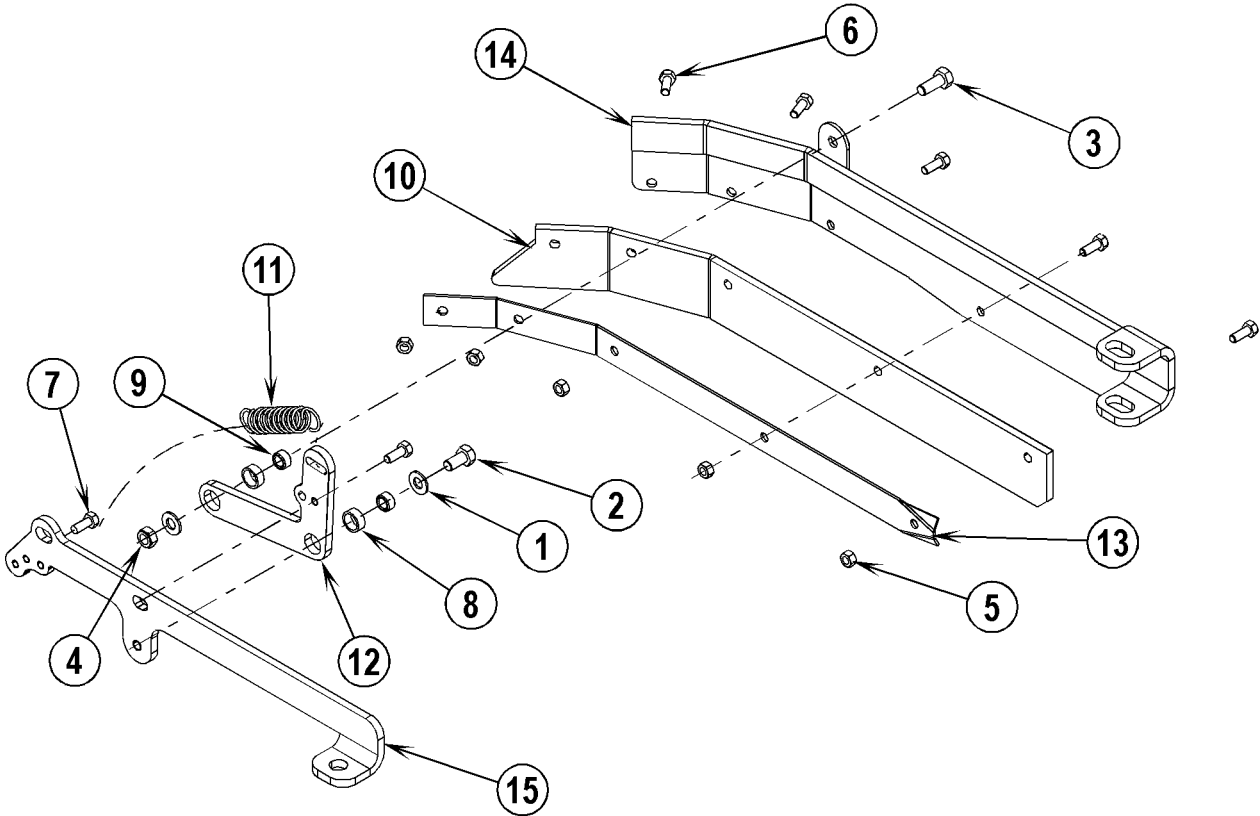
= Revised or new since last update

NOTE 1: See "BRUSH SELECTOR GUIDE" at back of manual for available scrub brushes.

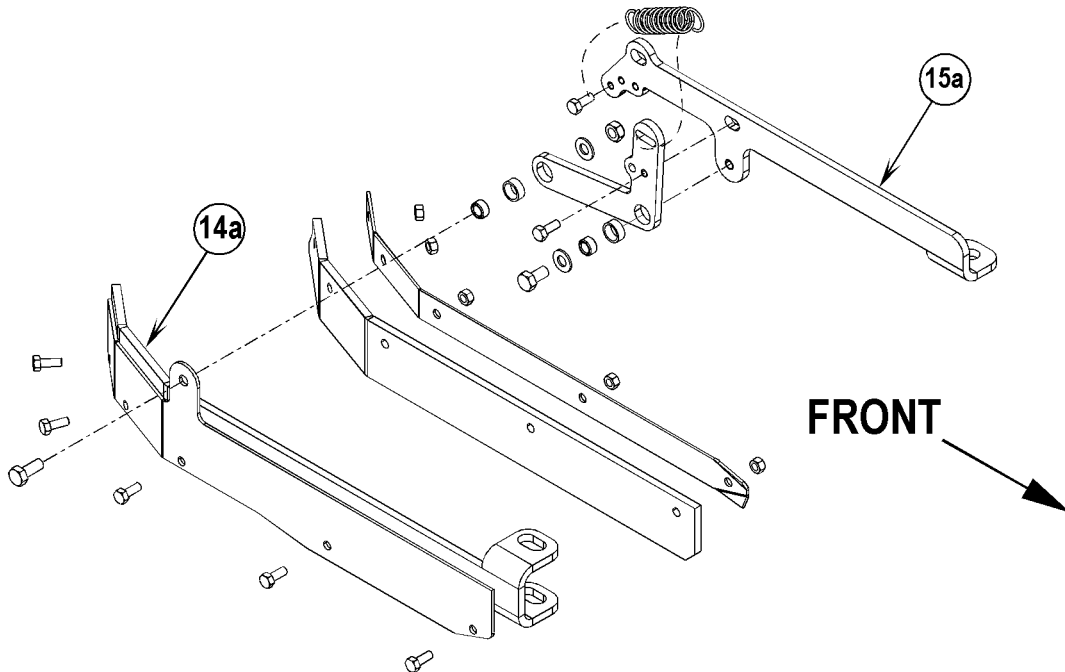
NOTE 2: These Disk Deck Blade Kits include the mounting fasteners (Rivet, Nylon Tree Push-In 56003263 item 18), the two blades (items 47 & 50) and two blades for use in Skirt Assemblies (items 51 & 52).

NOTE 4: See "SKIRT ASSEMBLIES-DISK (35", 38)".

56314648-LEFT SKIRT ASSEMBLY



56314649-RIGHT SKIRT ASSEMBLY



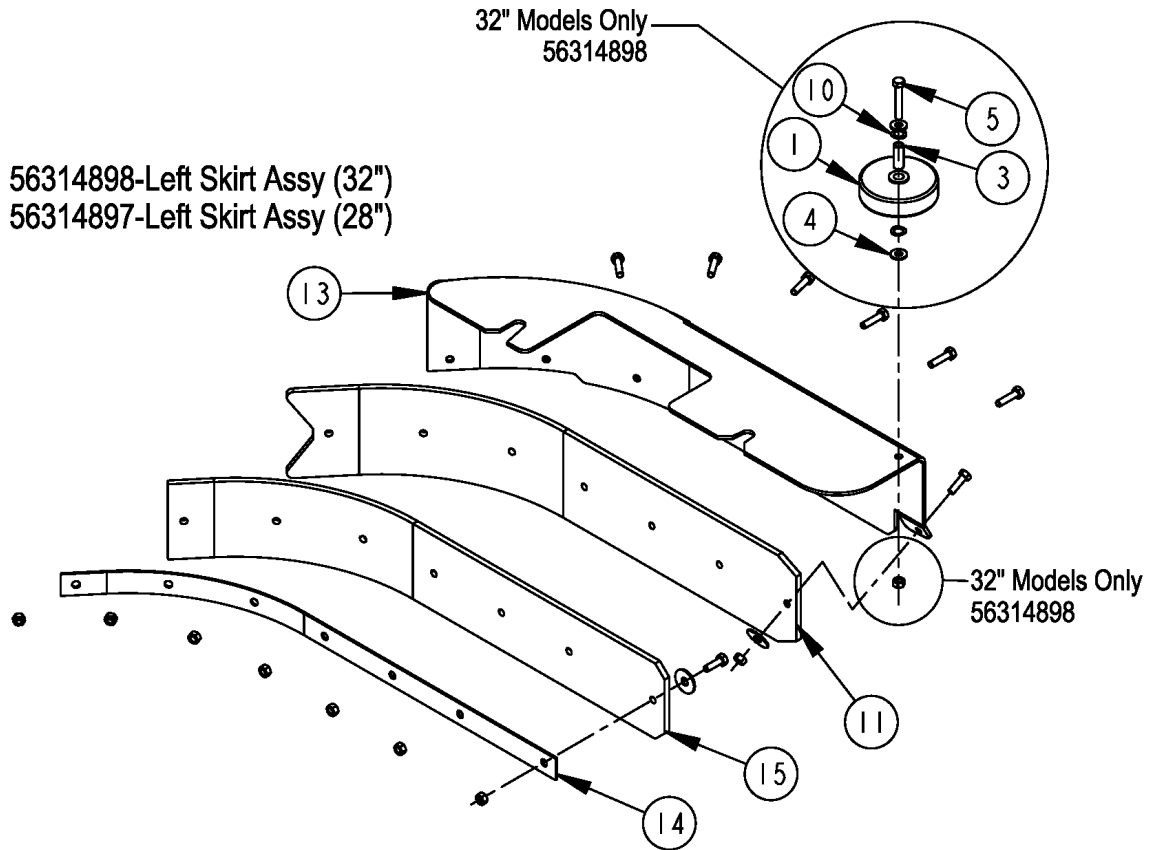
Item	Ref. No.	Qty	Description
	56314648	1	Left Skirt Assembly
	56314649	1	Right Skirt Assembly
1	56001939	2	Wsh, Flt SAE 5/16
2	56003178	1	Scr, Hex M8-1.25 x 16mm
3	56003179	1	Scr, Hex Thd To Hd M8-1.25 x 20mm
4	56003389	1	Nut, Hex Nyl Loc M8-1.25
5	56003426	5	Nut, Hex Nyl Loc SS M6-1.00
6	56003431	6	Scr, Hex Hd SS M6-1.00 x 16mm
7	56003441	1	Scr, Hex Nyl Loc M6-1.00 x 15mm
8	56185263	2	Bearing, Sleeve
9	56320595	2	Bushing, .32 x .50 x .28
10	56410335	1	Skirt, Linatex (Standard)
**	56407447	1	Skirt, Gum Rubber
**	56390983	1	Skirt PU
	56314860	1	Kit, Deck Blade Cyl Linatex (Standard) NOTE 2
**#			DELETED
**	56390991	1	Blade Kit-Cyl PU NOTE 2
**#	56390791	1	Kit Cyl Blade Gum NOTE 2
11	56470672	1	Spring, Extension
12	56314435	1	Arm, Mount
13	56314437	1	Retainer, Skirt
14	56314439	1	Skirt Bracket Weld't, Left
14a	56314438	1	Skirt Bracket Weld't, Right
15	56314440	1	Bracket, Mount, Left
15a	56314441	1	Bracket, Mount, Right

** = Optional

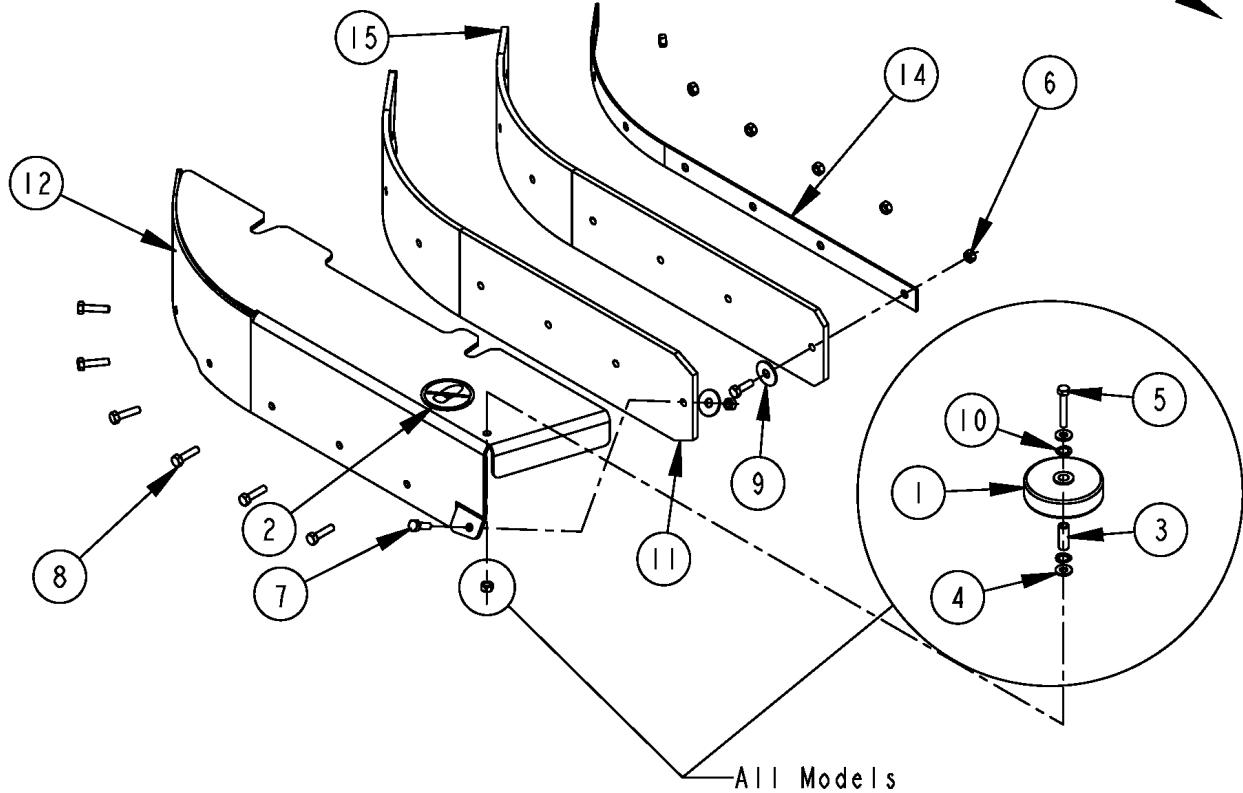
= Revised or new since last update

NOTE: All quantities are for one skirt assembly only, there are two skirt assemblies on the machine.

NOTE 2: For use on 35" and 38" decks. Deck Blade Kits include two (item 10) Blades and two Deck Blades (item 58) in "Scrub System-Cylindrical (35", 38)".



56314896-Left Skirt Assy (28", 32")



Item	Ref. No.	Qty	Description
	56314898	1	Skirt Assembly Left Linatex (32")
	56314897	1	Skirt Assembly Left Linatex (28")
	56314896	1	Skirt Assembly Right Linatex (28" / 32")
1	56324499	1	Wheel 3.00 NOTE 1
2	56016163	1	Decal, No Step (Right Skirt Assembly only)
3	56471220	1	Bushing NOTE 1
4	56002098	2	Wsh, Flt SAE 1/4 NOTE 1
5	56003167	1	Scr,Hex M6-1.0x40mm NOTE 1
6	56003426	9	Nut, Hex Nyl Loc SS M6 x 1.0 (qty of 8 on 56314897)
7	56003454	2	Scr Hex Thd To Hd SS M6-1.0 x 20mm
8	56003693	6	Scr Hex Thd To Hd SS M6-1.0 x 25mm
9	56003696	2	Wsh, Flt SS .33 x 1.00 x .060
10	56009045	2	Wsh, Bowed .375 x .578 x .060 NOTE 1
11	-		See Disk Deck Blade Kits below
12	56314888	1	Frame, Skirt RH
13	56314889	1	Frame, Skirt LH
14	56314891	1	Retainer, Blade
15	-		See Disk Deck Blade Kits below
			28" Disk Deck Blade Kits
**	56314913	1	Kit, Gum Rubber 28 Disk NOTE 3
	56314917	1	Kit, Linatex 28 Disk (Standard) NOTE 3
**	56390967	1	Blade Kit-Disk PU NOTE 3
**	56315722	1	Kit, Gum Rubber NOTE 4
**	56315721	1	Kit, Red Gum Rubber NOTE 4
**	56390869	1	Blade Kit-Disk PU NOTE 4
			32" Disk Deck Blade Kits
**	56314914	1	Kit, Gum Rubber 32 Disk NOTE 3
	56314918	1	Kit, Linatex 32 Disk (Standard) NOTE 3
**	56390979	1	Blade Kit-Disk PU NOTE 3
**	56315722	1	Kit, Gum Rubber NOTE 4
**	56315721	1	Kit, Red Gum Rubber NOTE 4
**	56390869	1	Blade Kit-Disk PU NOTE 4

** = Optional

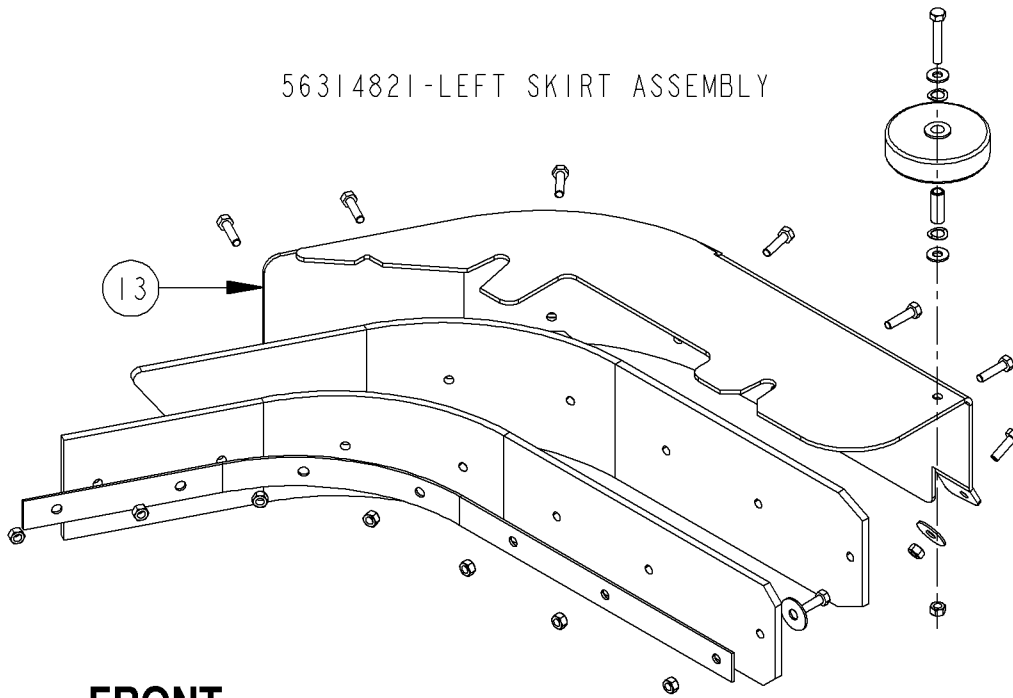
NOTE 1: These items are on the Right Skirt Assembly **PN 56314896** on all models, but only on the 32" Left Skirt Assembly **PN56314898**.

NOTE 2: All quantities are for one skirt assembly only, there are two skirt assemblies on the machine.

NOTE 3: These Disk Deck Blade Kits include the mounting fasteners (Rivet, Nylon Tree Push-In 56003263), four skirt blades (items 11 & 15) and the two deck blades (front and rear).

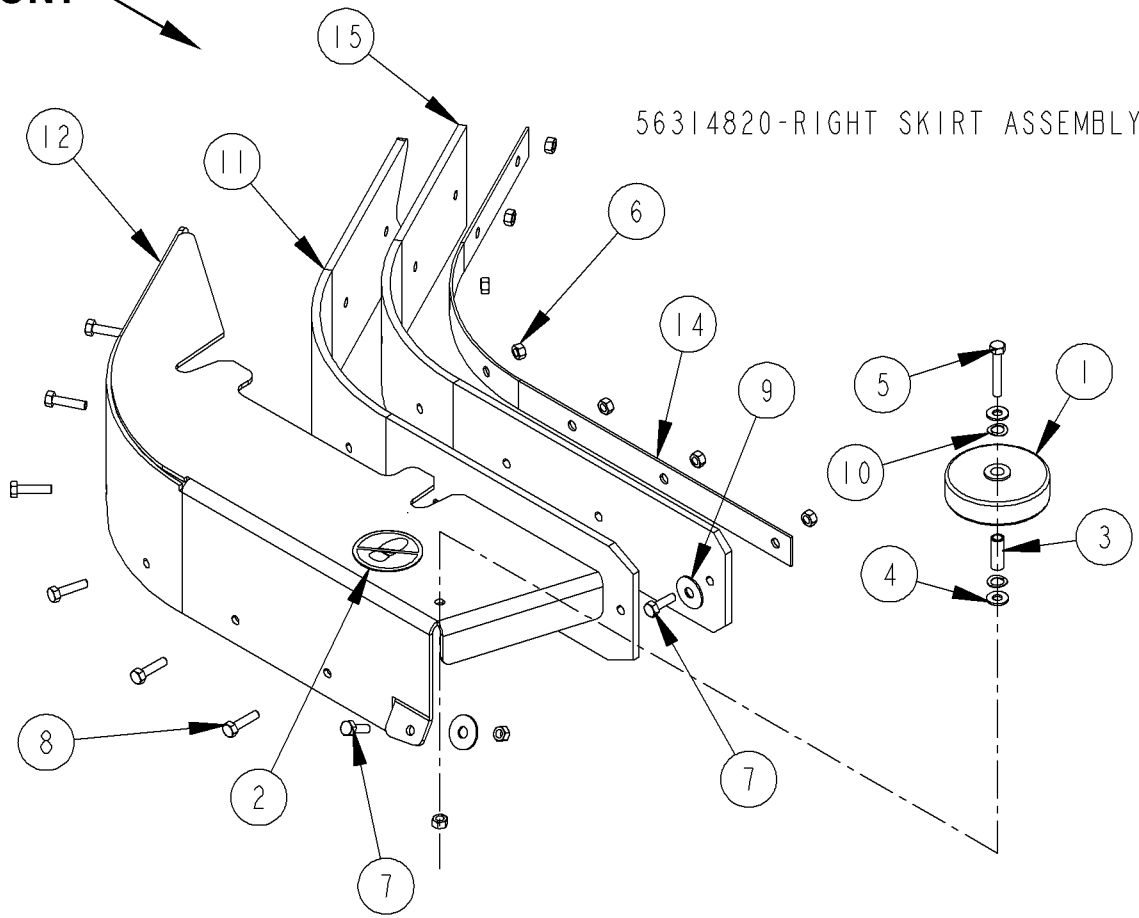
NOTE 4: These Disk Deck Blade Kits include just the blades for use in the two Skirt Assemblies.

56314821-LEFT SKIRT ASSEMBLY



FRONT

56314820-RIGHT SKIRT ASSEMBLY



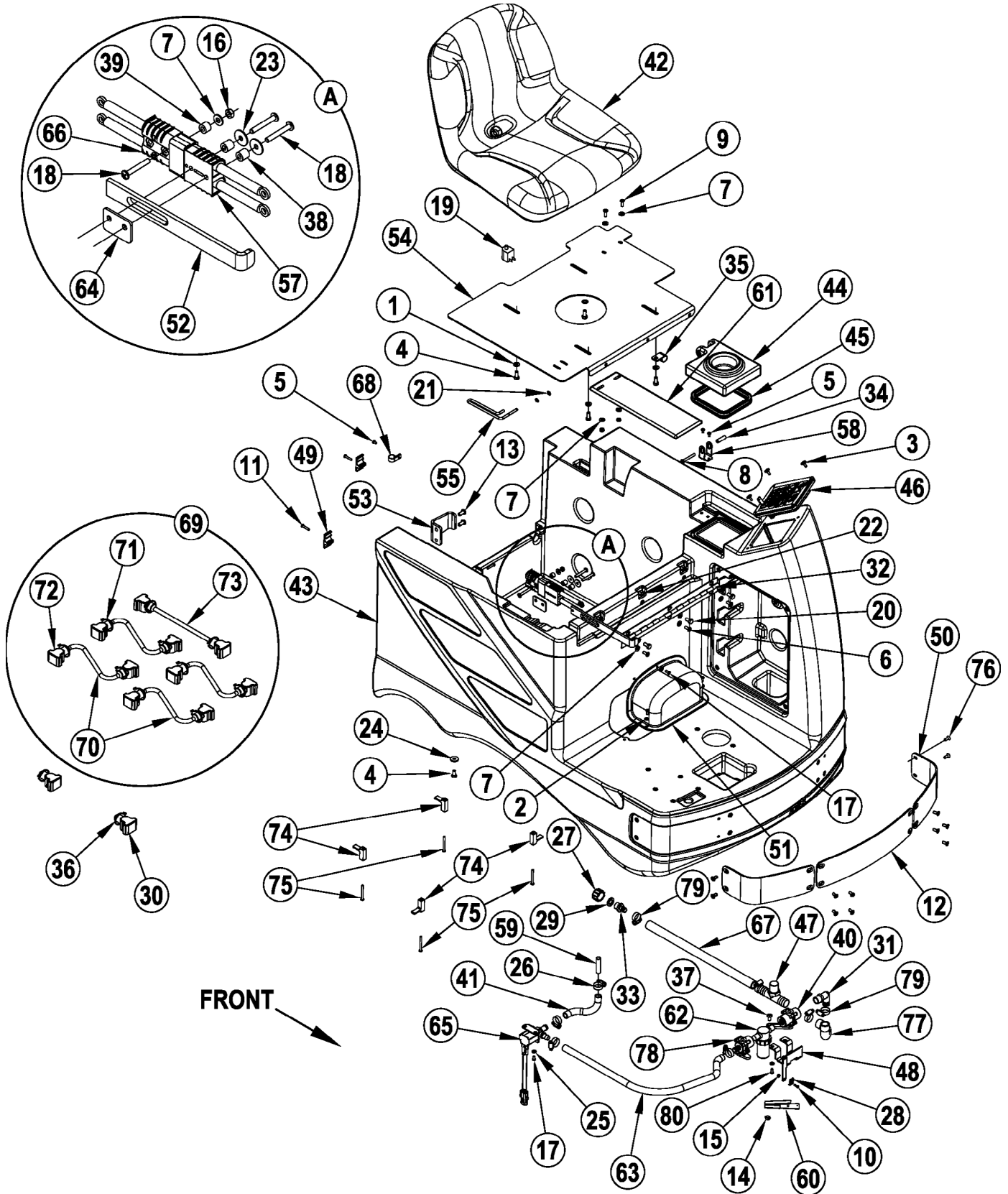
Item	Ref. No.	Qty	Description
	56314821	1	Skirt Assembly Left
	56314820	1	Skirt Assembly Right
1	56324499	1	Wheel 3.00
2	56016163	1	Decal, No Step (Right Skirt Assembly only)
3	56471220	1	Bushing
4	56002098	2	Wsh, Flt SAE 1/4
5	56003167	1	Scr, Hex M6-1.0 x 40mm
6	56003426	9	Nut, Hex Nyl Loc SS M6 x 1.0
7	56003454	2	Scr Hex Thd To Hd SS M6-1.0 x 20mm
8	56003693	6	Scr Hex Thd To Hd SS M6-1.0 x 25mm
9	56003696	2	Wsh, Flt SS .33 x 1.00 x .060
10	56009045	2	Wsh, Bowed .375 x .578 x .060
11	-		See Disk Deck Blade Kits below
12	56314871	1	Frame, Skirt RH
13	56314872	1	Frame, Skirt LH
14	56314873	1	Retainer, Blade
15	-		See Disk Deck Blade Kits below
			35" Disk Deck Blade Kit
	56314846	1	Kit, Linatex 35 Disk (Standard) NOTE 1
**	56390927	1	Blade Kit-Disk PU NOTE 1
**	56315720	1	Kit, Red Gum Rubber NOTE 3
**	56390958	1	Blade Kit-Disk PU NOTE 3
			38" Disk Deck Blade Kits
	56314848	1	Kit, Linatex 38 Disk (Standard) NOTE 1
**	56390953	1	Blade Kit-Disk PU NOTE 1
**	56390796	1	Blade Kit-DiskGum NOTE 1
**	56315720	1	Kit, Red Gum Rubber NOTE 3
**	56390958	1	Blade Kit-Disk PU NOTE 3
**	56390788	1	Blade Kit-Disk Gum NOTE 3

** = Optional

NOTE 1: These Disk Deck Blade Kits include the mounting fasteners (Rivet, Nylon Tree Push-In 56003263), four skirt blades (items 11 & 15) and the two deck blades (front & rear).

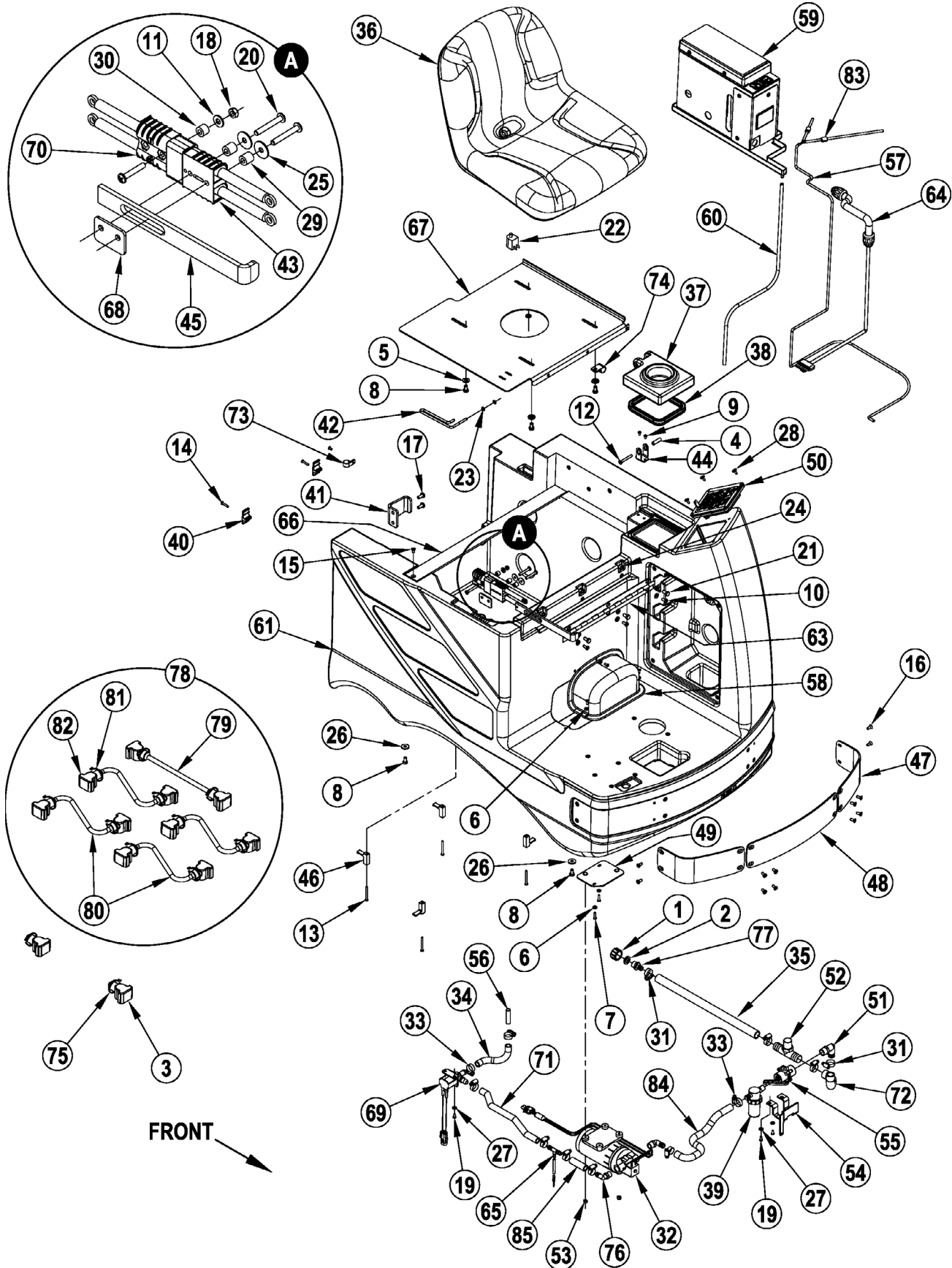
NOTE 2: All quantities are for one skirt assembly only, there are two skirt assemblies on the machine.

NOTE 3: These Disk Deck Blade Kits include just the blades for use in the two Skirt Assemblies.



Item	Ref. No.	Qty	Description	Item	Ref. No.	Qty	Description
1	56001939	4	Wsh, Flt SAE 5/16	46	56390867	1	Control Panel Assembly
2	56001954	3	Wsh, Flt SAE #10	[]	56314713	1	Membrane Switch Assy TSBUS2006-932
3	56009206	4	Scr, Truss Phil-Blk 10-24 x .50	[]	56396188	1	Switch, Key
4	56002035	8	Scr, Hex Hd 5/16-18 x .62	[]	56396189	1	Key, Spare
5	56002043	3	Scr, Pan Phil 10-24 x .38	47	56314758	1	Tee
6	56002066	3	Scr, Pan Phil 1/4-20 x .62	48	56314881	1	Bracket, Water Valve
7	56002098	11	Wsh, Flt SAE 1/4	49	56314155	5	Clamp, Cable
8	56002108	1	Scr, Pan Phil 1/4-20 x 2.00	50	56314638	2	Bumper, Front
9	56002507	2	Scr, Pan Phil 1/4-20 x .75	51	56314975	1	Cover, Actuator Closed
10	56002589	1	Scr, Hex Hd 6-32 x .50	52	56314292	1	Bar, Disconnect
11	56002674	5	Scr, Pan Phil 10-24 x 1.00	53	56316526	1	Tank Mount Bracket
12	56314642	1	Bumper, Front Middle	54	56314988	1	Weld't, Seat Mount
13	56002793	2	Scr, Pan Phil 5/16-18 x .75	55	56314223	1	Prop Rod
14	56002826	1	Nut, Hex Nyl Loc-Thin 5/16-18	56	56390854	1	Harness, Main (Not Shown)
15	56002830	1	Nut, Hex Nyl Loc 6-32	57	56314253	1	Charge Connector Assy
16	56002840	3	Nut, Hex Nyl Loc-Thin 1/4-20	58	56314264	1	Hinge Bracket
17	56002900	5	Scr, Pan Phil SS 10-24 x .50	59	56314904	1	Tube
18	56002997	3	Scr, Pan Phil 1/4-20 x 1.75	60	56314882	1	Bracket, Valve
19	7-82-00050	1	Switch (S2)	61	56314532	1	Panel, Battery Box
20	56003178	3	Scr, Hex M8-1.25 x 16mm	62	56314756	1	Strainer
21	56003268	2	Ring, Ret Ext Type E Reinf. .25 Dia.	63	56386182	1	Hose, Spiral .50ID x 26.00
22	56003389	3	Nut, Hex Nyl Loc M8-1.25	64	56397189	1	Spacer
23	56009002	2	Wsh, Flt .266 x .906 x .060	65	56397215	1	Solenoid Valve Assy, 36V (L1)
24	56009122	4	Wsh, Flt .344 x .938 x .125	66	56397508	1	Charge Connector Assy
25	56009205	4	Wsh, Flt SS #10	67	56263218	1	Hose, .75 Clear PVC
26	56219932	4	Clamp, Hose SAE #6	68	56442003	1	Clamp, P
27	56255076	1	Cap, Pipe GHT Nylon	69	56314339	1	Kit, Battery Connector (includes items 70-73)
28	56344265	1	Clamp, Cable				NOTE 1
29	56368776	1	Washer, Rubber	70	56456460	4	Cable, Battery
30	56372673	2	Boot, Battery Post	71	56478246	10	Tie, Cable
31	56314757	1	Barb, 90 Elbow, 3/4 x 1/2NPT	72	56372673	10	Boot, Battery Post
32	56314973	1	Hinge	73	56441600	1	Cable, Battery
33	56900273	1	Barb	*	56314119	1	Battery Spacer
34	56468553	1	Bushing, .27 x .37 x 1.30	74	56314608	4	Clamp, Cable
35	56469380	1	Clamp, P	75	56002171	4	Scr, Pan Phil 10-24 x 2.00
36	56478246	2	Tie, Cable	76	56002760	12	Scr, Flt Phil 1/4-20 x .62
37	56003003	1	Scr, Pan Phil 5/16-18 x .62	77	56410162	1	Hose, Spiral .75 x 7.00
38	56046309	2	Spacer, Phenolic	78	56314755	1	Valve, Solution
39	56050872	1	Spacer, Phenolic	79	56112771	4	Clamp, Hose SAE #10
40	56314899	1	Valve, Solution	80	56001993	2	Scr, Pan Phil 10-24 x .50
41	56262180	1	Hose, Spiral .50ID x 7.00				[] = Not Shown
42	8-69-00022	1	Seat				
43	56390853	1	Solution Tank				
44	56314066	1	Cover, Solution Tank, Assy				
45	56314069	1	Gasket				

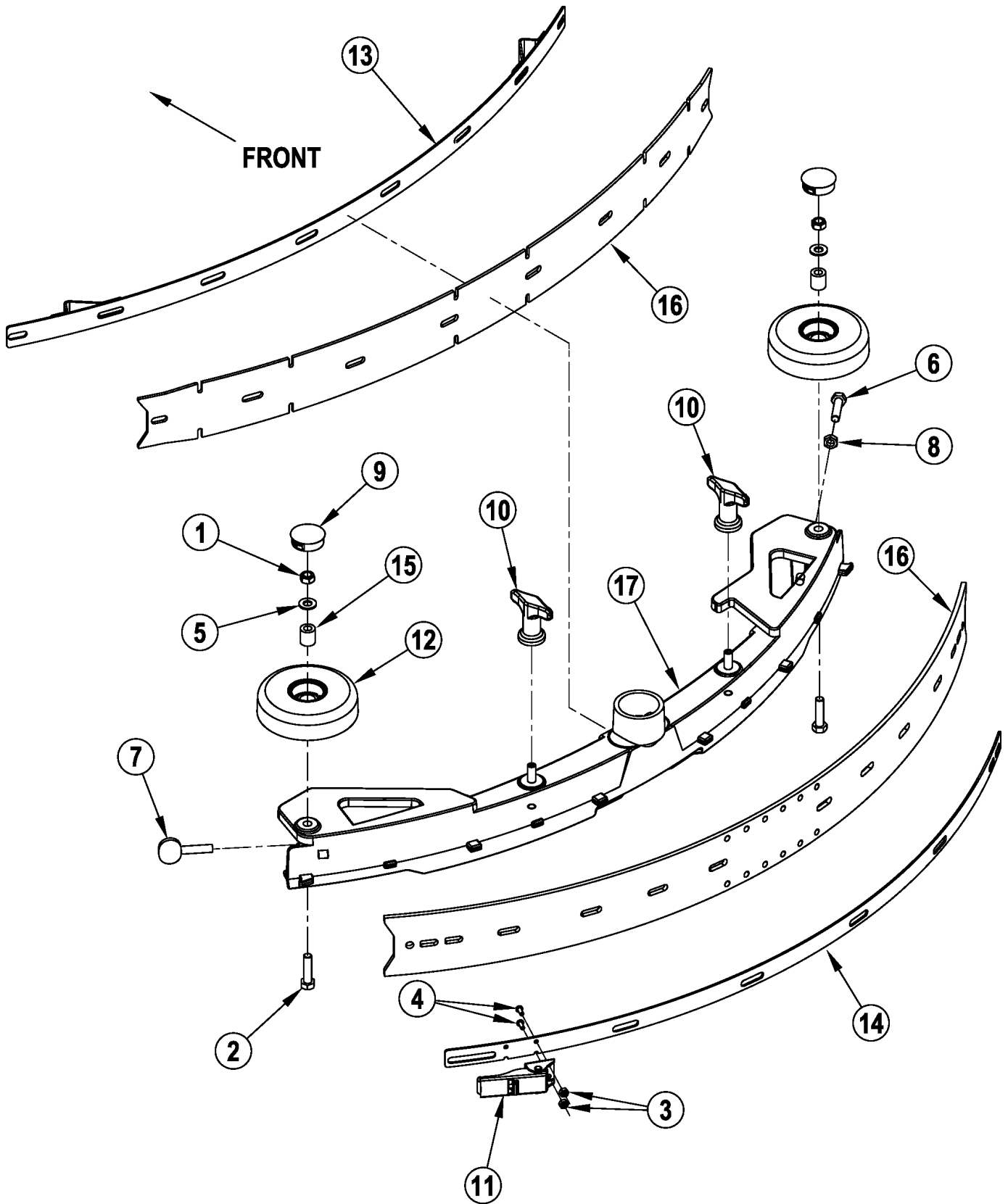
NOTE 1: Battery Connector Kit (56314339) is included with machine.



Item	Ref. No.	Qty	Description	Item	Ref. No.	Qty	Description
1	56255076	1	Cap, Pipe GHT Nylon	46	56314608	4	Clamp, Cable
2	56368776	1	Washer, Rubber	47	56314638	2	Bumper, Front
3	56372673	2	Boot, Battery Post	48	56314642	1	Bumper, Front Middle
4	56468553	1	Bushing, .27 x .37 x 1.3	49	56314644	1	Weldment, Adapter Plate
5	56001939	4	Wsh, Flt SAE 5/16	50	56390867	1	Control Panel Assy. Scrubber
6	56001954	5	Wsh, Flt SAE #10	[]	56314713	1	Membrane Switch Assy TSBUS2006-932
7	56002733	2	Scr, Pan Phil 10-24 x .88	[]	56396188	1	Switch, Key
8	56002035	8	Scr, Hex 5/16-18 x .62	[]	56396189	1	Key, Spare
9	56002043	3	Scr, Pan Phil 10-24 x .38	51	56314757	1	Barb, 90 Elbow 3/4 x 1/2NPT
10	56002066	3	Scr, Pan Phil 1/4-20 x .62	52	56314758	1	Tee, Barb
11	56002098	7	Wsh, Flt SAE 1/4	53	56002768	2	Nut, Hex Nyl Loc 10-24
12	56002108	1	Scr, Pan Phil 1/4-20 x 2.00	[]	56314787	1	Harness, Cable
13	56002171	4	Scr, Pan Phil 10-24 x 2.00	54	56314881	1	Bracket, Valve
14	56002674	5	Scr, Pan Phil 10-24 x 1.00	55	56314899	1	Valve, Solution
15	56002755	1	Scr, Flt Phil 1/4-20 x .50	56	56314904	1	Tube
16	56002760	12	Scr, Flt Phil 1/4-20 x .62	57	56314863	1	Hose, Chem Resistant
17	56002793	2	Scr, Pan Phil 5/16-18 x .75	58	56314960	1	Cover, Actuator
18	56002840	1	Nut, Hex Nyl Loc-Thin 1/4-20	59	56316537	1	Assy-Detergent Inject. NOTE 1
19	56002900	7	Scr, Pan Phil SS 10-24 x .50	56381100	1	Assy-Detergent Inject. NOTE 2	
20	56002997	3	Scr, Pan Phil 1/4-20 x 1.75				(See Detergent Injection System)
21	56003178	3	Scr, Hex M8-1.25 x 16mm	60	56314965	1	Hose, PVC 1/4 x 3/8
22	7-82-00050	1	Switch (S2)	61	56390853	1	Solution Tank
23	56003268	2	Ring, Ret Ext Type E Reinf. 0.25 Dia	62	56390854	1	Harness, Main (Not Shown)
24	56003389	3	Nut, Hex Nyl Loc M8-1.25	63	56314973	1	Hinge
25	56009002	2	Wsh, Flt .266 x .906 x .060	64	56314980	1	Harness, Detergent System
26	56009122	4	Wsh, Flt .344 x .938 x .125	65	56314983	1	Tee Assembly
27	56009205	4	Wsh, Flt SS .219 x .500 x .047/.062	66	56314985	1	Bracket, Seat
28	56009206	4	Scr, Truss Phil-Blk 10-24 x .50	67	56314986	1	Weld't, Seat Mount
29	56046309	2	Spacer, Phenolic	68	56397189	1	Spacer
30	56050872	1	Spacer, Phenolic	69	56397215	1	Solenoid Valve Assy. 36V
31	56112771	4	Clamp, Hose SAE #10	70	56397508	1	Charge Connector Assy
32	56212014	1	Pump, 36VDC	71	56266108	1	Hose, Spiral .50 ID x 12
[]	56109587	1	Pump Head Assy	72	56410162	1	Hose, Spiral .75 ID x 7.00
[]	56109588	1	Check Valve Assy	73	56442003	1	Clamp, P
33	56219932	8	Clamp, Hose SAE #6	74	56469380	1	Clamp, P
34	56262180	1	Hose, Spiral .50 ID x 7.00	75	56478246	2	Tie, Cable
35	56263218	1	Hose, .75 Clear PVC	76	56900069	2	Barb, 90 Elbow 1/2 x 3/8 NPT
36	8-69-00022	1	Seat	77	56900273	1	Barb
37	56314066	1	Cover, Solution Tank, Assy	78	56314339	1	Kit, Battery Connector (items 79-82)
38	56314069	1	Gasket	79	56441600	1	Cable, Battery
39	56314147	1	Strainer	80	56456460	4	Cable, Battery
40	56314155	5	Clamp, Cable	81	56478246	10	Tie, Cable
41	56316526	1	Tank Mount Bracket	82	56372673	10	Boot, Battery Post
42	56314223	1	Prop Rod	[]	56314119	1	Spacer, Battery
43	56314253	1	Charge Connector Assy	83	56316209	1	Check Valve Assy
44	56314264	1	Hinge Bracket	84	56264318	1	Hose, Spiral .50
45	56314292	1	Bar, Disconnect	85	56111385	1	Hose, Spiral .50

[] = Not Shown

NOTE 1: Only used on AXP models.**NOTE 2:** Only used on EcoFlex models. AXP models are no longer in production and have been replaced by EcoFlex models.



Item	Ref. No.	Qty	Description	Item	Ref. No.	Qty	Description
#	56390865	1	Squeegee Assy (28" Models) NOTE 2	**	56601531	1	28" Model Squeegee Blade Kits Blade Kit, Squeegee Gum NOTE 1
#	56390866	1	Squeegee Assy (32", 35" Models) NOTE 2		56601083	1	Blade Kit, Squeegee Red Gum (Standard) NOTE 1
#	56390830	1	Squeegee Assy (38" Models) NOTE 2	**	56601529	1	Blade Kit, Squeegee PU NOTE 1
1	56002851	2	Nut, Hex Nyl Loc-Thin Ss 5/16-18				32", 35" Model Squeegee Blade Kits
2	56002884	2	Scr- Hex Ss 5/16-18 X 1.25	**	56601532	1	Blade Kit, Squeegee Gum NOTE 1
3	56002907	2	Nut, Hex Nyl Loc Ss 6-32		56601094	1	Blade Kit, Squeegee Red Gum (Standard) NOTE 1
4	56002909	2	Scr, Pan Phil Ss 6-32 X .38	**	56601530	1	Blade Kit, Squeegee PU NOTE 1
5	56002938	2	Wsh, Flt Sae Ss 5/16				38" Model Squeegee Blade Kits
6	56003302	1	Scr, Hex Thd To Hd Ss 5/16-18 X 1.25	**	56390756	1	Blade Kit, Squeegee Gum NOTE 1
7	56003792	1	Scr, Thumb Ss 5/16-18 X 1.25		56390757	1	Blade Kit, Squeegee Red Gum (Standard) NOTE 1
8	56009141	1	Nut, Hex Jam Ss 5/16-18	**	56390758	1	Blade Kit, Squeegee PU NOTE 1
9	56111444	2	Button Plug-1.25				
10	56370711	2	Nut, Thumb	** = Optional, Not Included			
11	56471194	1	Latch Assembly	# = Revised or new since last update			
12	56601450	2	Wheel, 4.00 Od				
13	56601489	1	Front Strap Weldment (28" Models)	NOTE 1: Squeegee Blade Kits include both front & rear squeegee blades.			
	56601495	1	Front Strap Weldment (32", 35" Models)	NOTE 2: These squeegee assemblies include red gum rubber blades.			
	56390824	1	Front Strap Weldment (38" Models)				
14	56601490	1	Strap, Rear (28" Models)				
	56601496	1	Strap, Rear (32", 35" Models)				
	56390826	1	Strap, Rear (38" Models)				
15	56601499	2	Bushing, Nylon				
16	56601083	1	Blade Kit, Squeegee Red Gum (28" Models) NOTE 1				
	56601094	1	Blade Kit, Squeegee Red Gum (32", 35" Models) NOTE 1				
	56390757	1	Blade Kit, Squeegee Red Gum (38" Models) NOTE 1				
17#	NA						

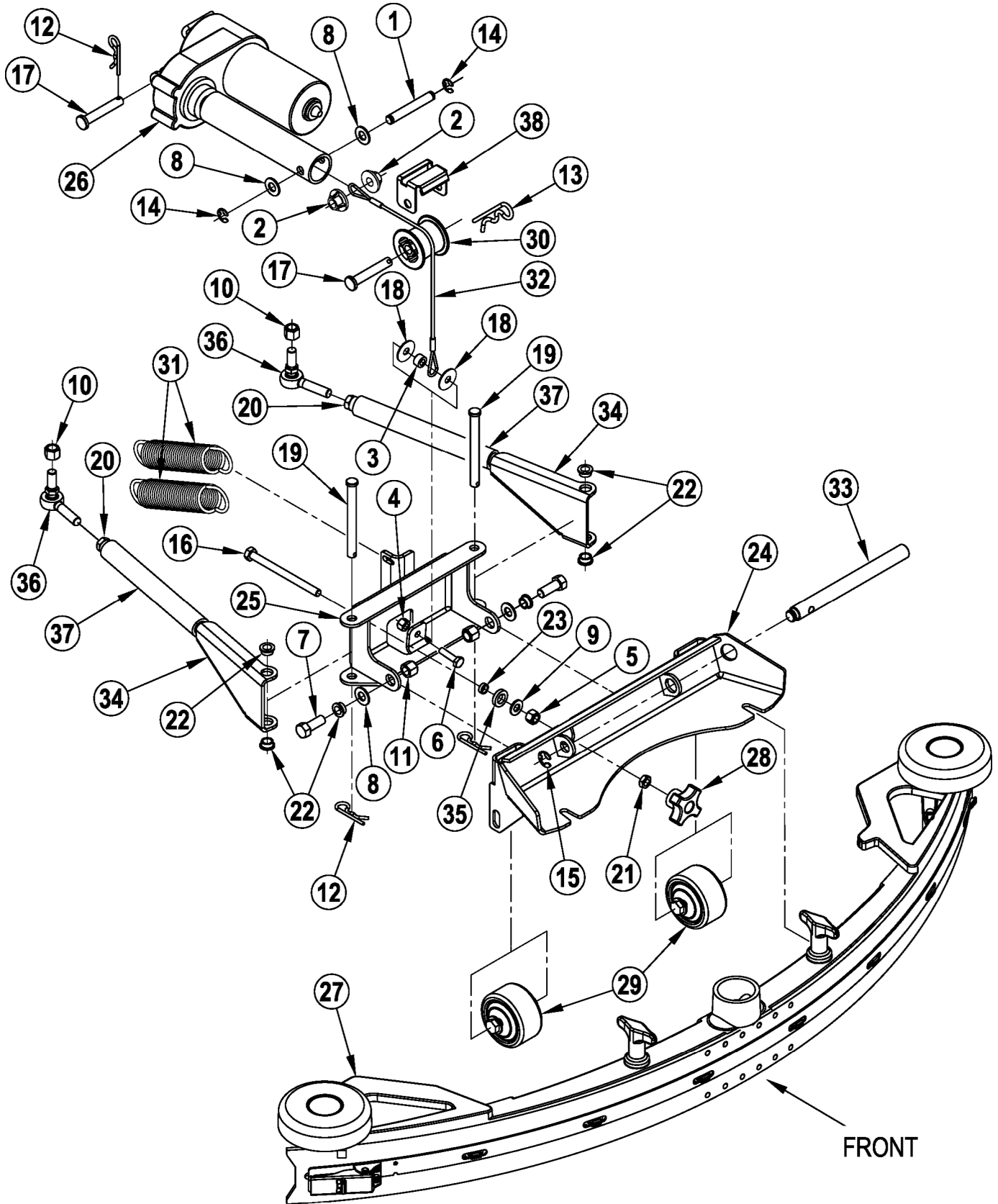
SQUEEGEE SYSTEM

09-9

36

Adgressor™

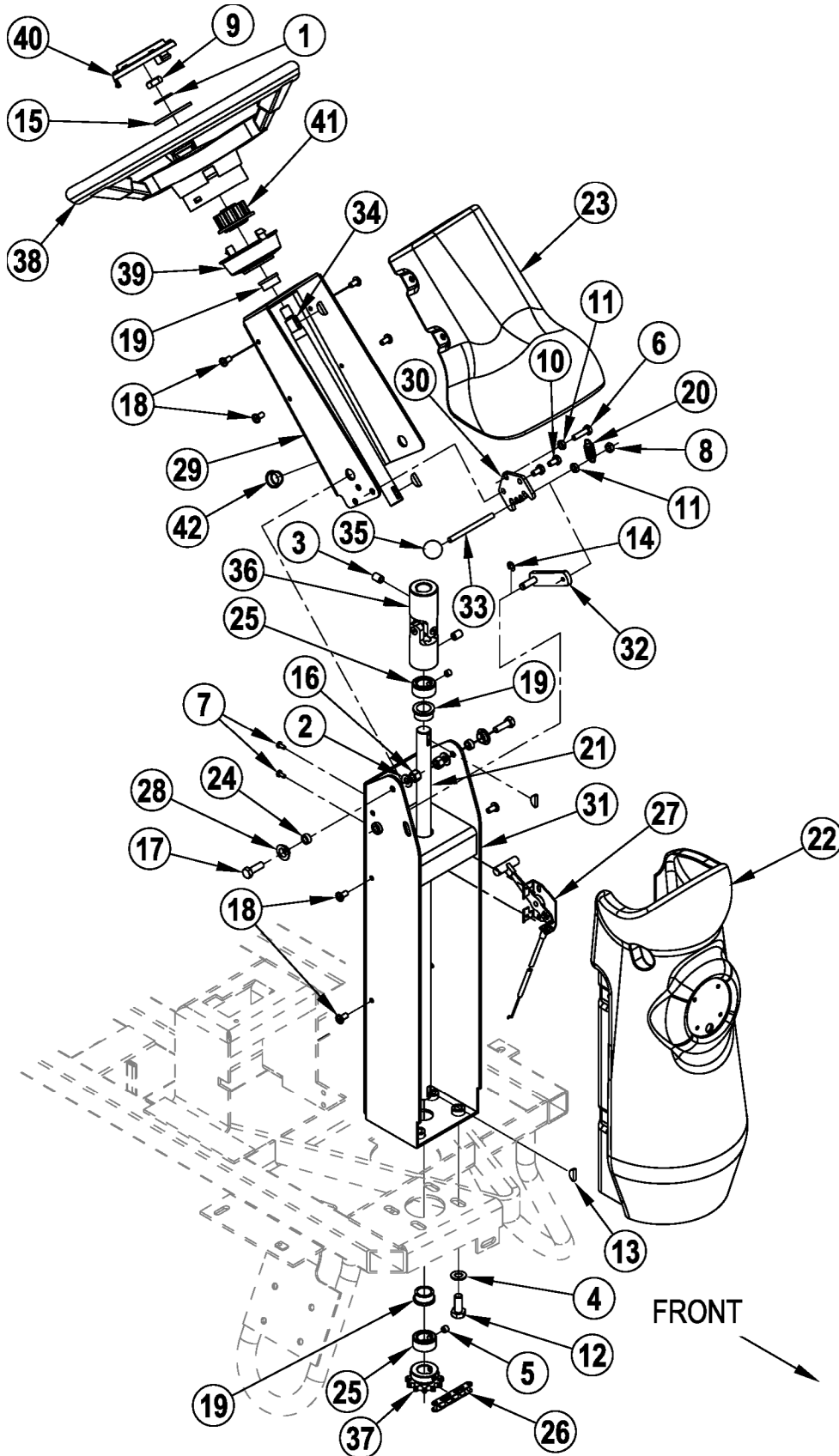
10-3



Item	Ref. No.	Qty	Description
1	56412088	1	Pin
2	56412248	2	Spacer, Squeegee Cable
3	56453691	1	Spacer
4	56002491	1	Nut, Hex Nyl Loc Ss 1/4-20
5	56002856	1	Nut, Hex Nyl Loc Ss 5/16-18
6	56002883	1	Scr- Hex Ss 1/4-20 X 1.00
7	56002886	2	Scr- Hex Ss 3/8-16 X 1.00
8	56002910	4	Wsh, Flt Sae Ss 3/8
9	56002938	1	Wsh, Flt Sae Ss 5/16
10	56002951	2	Nut, Hex Nyl Loc 3/8-24
11	56003219	2	Nut, Hex Nyl Loc Ss 3/8-16
12	56003222	3	Pin, Cotter Hair
13	56003223	1	Pin, Cot Hair .148 X Dia .62/1.00
14	56003262	2	Ring, Ret Ext Type E 0.38 Dia
15	56003264	1	Ring, Ret Ext Type E 0.50 Dia
16	56003486	1	Scr, Hex Thd To Hd Ss 5/16-18 X 4.00
17	56003656	2	Pin, Clevis .375 X 2.25
18	56003696	2	Wsh- Flt Ss .33 X 1.00 X.060
19	56003713	2	Pin, Clevis .38 X 3.75
20	56009103	2	Nut, Hex Jam 3/8-24
21	56009141	1	Nut, Hex Jam Ss 5/16-18
22	56324505	6	Bearing, Flange
23	56381818	1	Bushing .32x.44x.15
24	56390849	1	Bracket-Squeegee Mount Weldt
25	56390851	1	Bracket-Squeegee Pivot Weldt
26	56390857	1	Actuator Motor 36v (M2)
27#	56390865	1	Squeegee Assembly (28" Models) NOTE 1
#	56390866	1	Squeegee Assembly (32", 35" Models) NOTE 1
#	56390830	1	Squeegee Assembly (38" Models) NOTE 1
28	56407303	1	Knob
29	56412124	2	Wheel
30	56412208	1	Roller
31	56412216	2	Spring, Extension
32	56601257	1	Cable Assembly
33	56601442	1	Shaft
34	56601460	2	Bar Weldment
35	56601463	1	Washer, Polyurethane
36	56601469	2	Rod End
37	56601512	2	Hose
38	56390799	1	Bracket, Cable

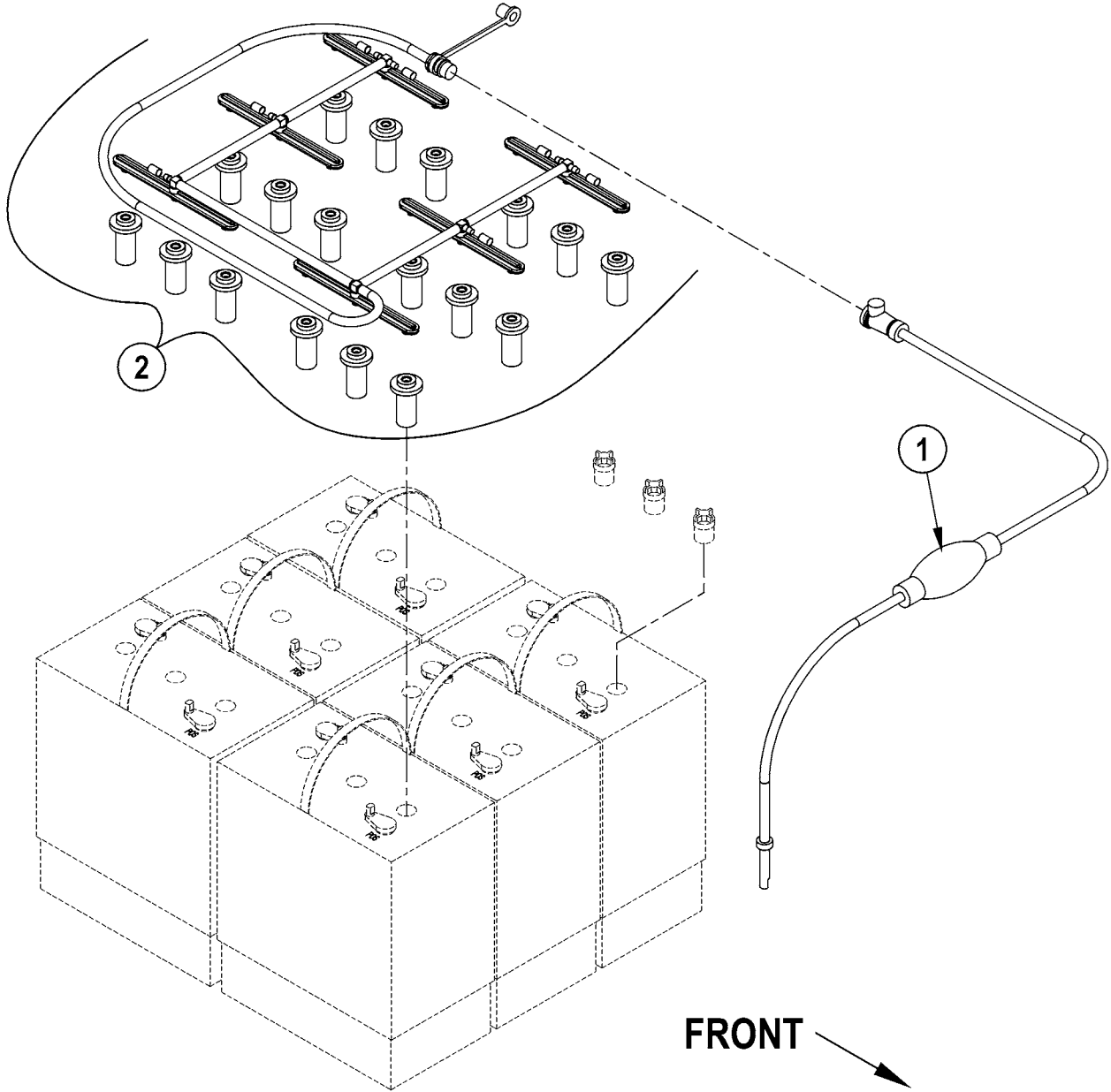
= Revised or new since last update

NOTE 1: These squeegee assemblies include Red Gum Rubber blades.

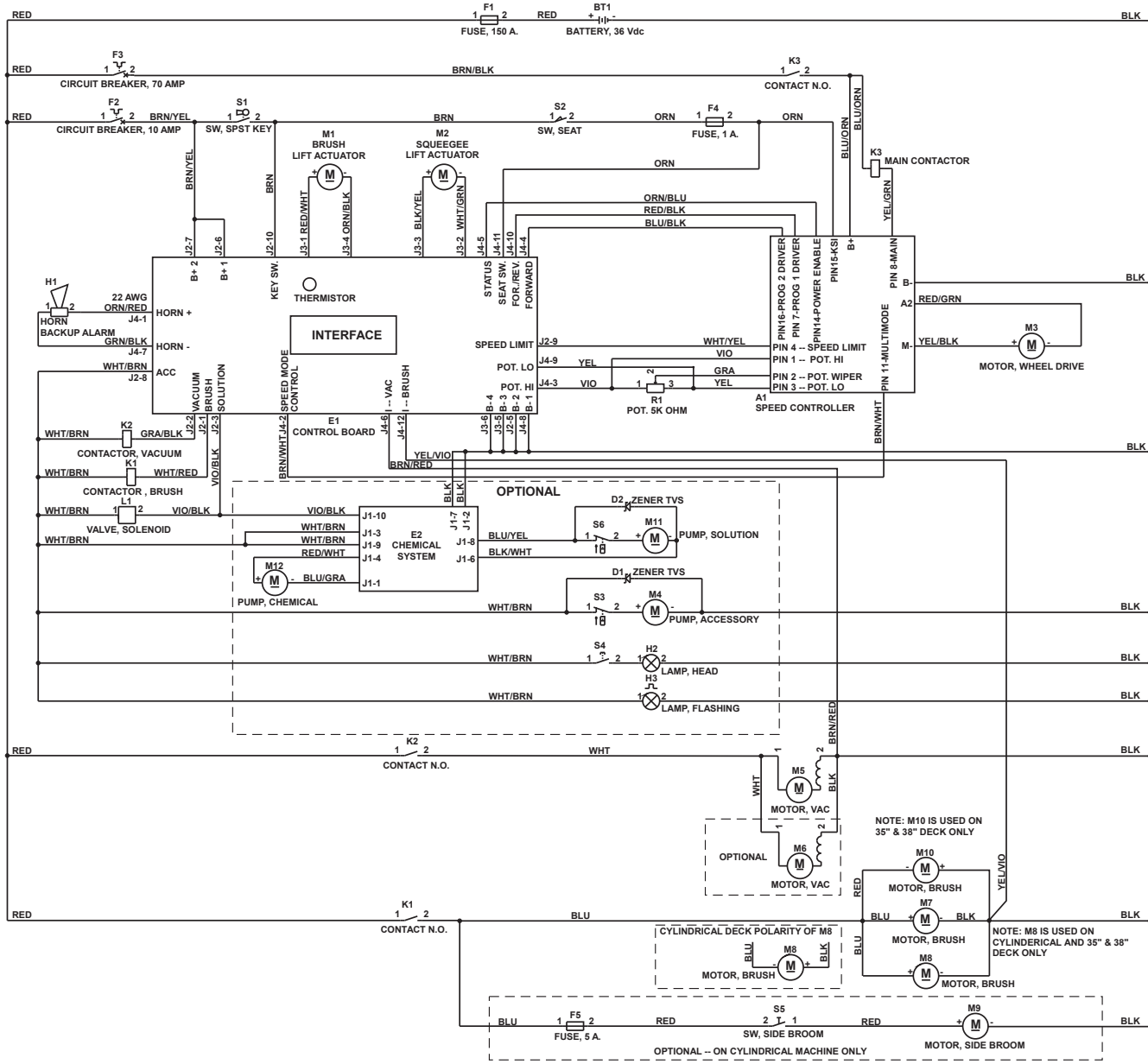


Item	Ref. No.	Qty	Description
1	56001879	3	Wsh-Flt Sae 1/2
2	56001939	2	Wsh, Flt Sae 5/16
3	56001958	2	Scr, Soc Set Loc 3/8-16 X .50
4	56002063	4	Wsh, Flt Sae 3/8
5	56002086	2	Scr, Soc Set Loc 5/16-18 X .25
6	56002093	1	Scr, Hex 1/4-20 X 1.00
7	56002523	2	Scr, Pan Phil Thd Form 8-32 X .38 NOTE 1
8	56002840	1	Nut, Hex Nyl Loc-Thin 1/4-20
9	56002843	1	Nut, Hex Nyl Loc-Thin 1/2-13
10	56003039	2	Scr,Hex Hd Loc 1/4-20x.50
11	56003145	2	Nut, Hex Jam Ss 1/4-20
12	56003186	4	Scr, Hex Thd To Hd M10-1.5 X 25mm
13	56003228	4	Key, Wdf .75 X .19
14	56003261	1	Ring, Ret Ext Type E 0.31 Dia
15	56003342	1	Washer Flt .88x2.25x.13
16	56003389	2	Nut, Hex Nyl Loc M8-1.25
17	56003436	2	Scr, Hex Ss M8-1.25 X 25mm
18	56009062	9	Scr, Pan Phil Thd Form 1/4-20 X .50
19	56250414	3	Bearing, Flange
20	56305072	1	Spring, Extension .075
21	56314195	1	Shaft, Lower Steering
22	56314295	1	Shroud, Lower Column
23	56314296	1	Shroud, Upper Column
24	56320595	2	Bushing .32x.50x.28
25	56367095	2	Collar, Shaft
26	56412198	1	Chain, Roller
27	56412281	1	Solution Control Cable NOTE 1
28	56413211	2	Bearing, Flange .625 X .500 X .250
29	56413657	1	Column, Upper
30	56413658	1	Ratchet, Steering Column
31	56413659	1	Lower Column Weldment
32	56413661	1	Steering Pawl Weldment
33	56413664	1	Rod
34	56420059	1	Shaft, Upper Steering
35	56440817	1	Knob
36	56454081	1	Universal Joint
37	56471148	1	Sprocket
38	56497306	1	Steering Wheel
39	56497308	1	Cup
40	56497543	1	Cap
41	56497560	1	Wheel Adapter
42	56900041	1	Plug, Cap

NOTE 1: Not used on AXP models.



Item	Ref. No.	Qty	Description
	56314974	1	Battery Watering System (items 1-2) (Standard on Detergent Injection Models)
	56314981	1	Battery Watering Kit (includes 56314974)
1	56314978	1	Pump
2	56314979	1	Manifold Assembly



Item	Ref. No.	Qty	Description	Item	Ref. No.	Qty	Description
A1	56314667	1	Controller	M7	56314141	1	Motor Gearbox Assy (28" Disk)
BT1	N/A		Battery		56314335	1	Motor Gearbox Assy (32" Disk)
E1	56314665	1	Control Panel Assembly	[]	56314359	2	Key, 6mm Square
[]	56314713	1	Membrane Switch Assy TSBUS2006-932	[]	56314499	2	Cover, Gearbox
[]	56396188	1	Switch, Key	[]	56314560	2	Gearbox
[]	56396189	1	Key, Spare	[]	56314580	1	Bearing (Fan End)
E2	56316110	1	Control Assembly (Detergent Injection only) NOTE 1	[]	56412323	1	Bearing (Brush End)
	56381078	1	Control Assembly (Detergent Injection only) NOTE 2	[]	56314582	1	Brush Ring
F1	56412089	1	Fuse, 150 Amp	[]	56314583	4	Carbon Brush
F2	56387316	1	Circuit Breaker, 10 Amp (Control Circuit)	[]	56314584	1	Safety Hook
F3	56454429	1	Circuit Breaker, 70 Amp (Wheel Drive)	M7	56407431	1	Motor, 36VDC, .75HP (All Cylindrical)
F4	N/A	1	Fuse, 1 Amp	[]	56407489	1	Armature (for 56407431)
F5		1	Fuse, 5 Amp (Side Broom / optional)	[]	56407490	1	Bearing (for 56407431)
H1	56412177	1	Horn / Backup Alarm	[]	56407492	1	Brush Cap Assy (for 56407431)
H2	56409239	1	Headlight (optional)	[]	56407493	4	Carbon Brush Assy (for 56407431)
H3	56416433	1	Strobe Light (optional)	[]	56407494	4	Brush Cover Cap (for 56407431)
K1	56395453	1	Contact, Brush Motor	M7	56314789	1	Motor Gearbox Assembly (35", 38" Disk)
K2	56395455	1	Contact, Vac Motor	[]	56314785	1	Gearbox, Replacement
K3	56395453	1	Contact, Wheel Drive	[]	56314784	1	Motor, Replacement
L1	56397215	1	Solenoid Valve	[]	56314786	1	Kit, Carbon Brush
M1	56393303	1	Lift Actuator, Brush	M8	56407431	1	Motor, 36VDC, .75HP (All Cylindrical)
[]	56388520	1	Plastic Nut	[]	56407489	1	Armature (for 56407431)
M2	56397230	1	Lift Actuator, Squeegee	[]	56407490	1	Bearing (for 56407431)
M3	56314635	1	Motor / Drive Wheel Assy	[]	56407492	1	Brush Cap Assy (for 56407431)
[]	56412325	1	Carbon Brush Kit	[]	56407493	4	Carbon Brush Assy (for 56407431)
M4	56212014	1	Motor, Pump (optional)	[]	56407494	4	Brush Cover Cap (for 56407431)
[]	56109587	1	Pump Head Assy	M8	56314789	1	Motor Gearbox Assembly (35", 38" Disk)
[]	56109588	1	Check Valve Assy	[]	56314785	1	Gearbox, Replacement
M5	56397228	1	Motor, Vac 36VDC	[]	56314784	1	Motor, Replacement
[]	56212223	1	Carbon Brush Set	[]	56314786	1	Kit, Carbon Brush
M6	56397228	1	Motor, Vac 36VDC (optional)	M9	56469530	1	Motor, Side Broom (optional)
[]	56212223	1	Carbon Brush Set	M10	56314789	1	Motor Gearbox Assembly (35", 38" Disk)
				[]	56314785	1	Gearbox, Replacement
				[]	56314784	1	Motor, Replacement
				[]	56314786	1	Kit, Carbon Brush
				M11	56212014	1	Pump, Solution (Detergent Injection only)
				M12	56314984	1	Pump, Detergent (Detergent Injection only)
				R1	56454740	1	Potentiometer, 5K
				S1	56396188	1	Switch, Key
				[]	56396189	1	Key, Spare
				S2	7-82-00050	1	Switch, Seat
				S3	N/A	1	Switch, Pump (part of M4)
				S4	N/A	1	Switch, Headlight (part of H2)
				S5	56372088	1	Switch, Side Broom (optional)
				S6	N/A	1	Switch, Pump (part of M11)

[] = Not Shown

** = Optional

NOTE 1: Only used on AXP models.**NOTE 2:** Only used on EcoFlex models. AXP models are no longer in production and have been replaced by EcoFlex models.

OPTIONAL KITS AND ACCESSORIES

09-9

44

Adgressor™

10-7

Item	Ref. No.	Qty	Description	Item	Ref. No.	Qty	Description
**	56314753	1	Kit, Onboard Charger TSBUS2004-872 / TSBUS2009-1027				
**	56314301	1	Kit, Seat Armrests (for 56314035)	56314846	1	Kit, Linatex 35 Disk (Standard) NOTE 2	
**	7-03-04249	1	Kit-Seat Armrests (for 8-69-00022)	**	56390927	1	Blade Kit-Disk PU NOTE 2
**	56314302	1	Kit, Warning Beacon	**	56315720	1	Kit, Red Gum Rubber NOTE 3
**	56314306	1	Kit, Right Side Broom	**	56390958	1	Blade Kit-Disk PU NOTE 3
**	56314308	1	Kit, Scrub-N-Vac Tool W/Pump				38" Disk Deck Blade Kits
**	56412223	1	Kit, Vacuum Wand Caddy	56314848	1	Kit, Linatex 38 Disk (Standard) NOTE 2	
**	56314312	1	Kit, Seatbelt	**	56390953	1	Blade Kit-Disk PU NOTE 2
**	56314313	1	Kit, Headlight	**	56390796	1	Blade Kit-Disk Gum NOTE 2
**	56390761	1	Kit, Deck 2820D	**	56315720	1	Kit, Red Gum Rubber NOTE 3
**	56390762	1	Kit, Deck 2820C	**	56390958	1	Blade Kit-Disk PU NOTE 3
**	56390764	1	Kit, Deck 3220D	**	56390788	1	Blade Kit-Disk Gum NOTE 3
**	56390769	1	Kit, Deck 3220C				Accessories
**	56390772	1	Kit, Deck 3520D	**	56409441	A/R	Programmer, 1311 User
**	56390775	1	Kit, Deck 3520C	**	56409823	A/R	Programmer Cable
**	56390776	1	Kit, Deck 3820D	**#			DELETED
**	56390777	1	Kit, Deck 3820C				Optional Batteries
**	56397453	1	Kit, Battery Fill Indicator	**	56315959	6	Battery, 6V, 315A/H AGM
**	56314981	1	Kit, Battery Watering				TSBUS2008-984
**	56314338	1	Kit, Dual Vac Motor	**	56391391	6	Battery, 6V, 305A/H
**	56314698	1	Kit, Onboard Charger, GEL				TSBUS2008-984
**	56316251	1	Kit, Onboard Charger, AGM TSBUS2008-984	**	56206079	6	Battery, 6V, 235A/H
			TSBUS2008-984 / TSBUS2009-1027				TSBUS2008-984
			TSBUS2008-984 / TSBUS2009-1027	**	56395101	A/R	Charger, 36VDC, Auto, 20Amp, 120VAC/60HZ
				**	56388502	A/R	Charger, 36VDC, Auto, 25Amp, 120VAC/60HZ
				**	56388120	A/R	Charger, 36VDC, Auto, 36Amp, 120VAC/60HZ
				**	56372190	A/R	Charger, 36VDC, 20Amp, 230VAC/50HZ
				**	56388119	A/R	Charger, 36VDC, 36Amp, 230VAC/50HZ
							Optional Battery Chargers
				**	56395101	A/R	Charger, 36VDC, Auto, 20Amp, 120VAC/60HZ
				**	56388502	A/R	Charger, 36VDC, Auto, 25Amp, 120VAC/60HZ
				**	56388120	A/R	Charger, 36VDC, Auto, 36Amp, 120VAC/60HZ
				**	56372190	A/R	Charger, 36VDC, 20Amp, 230VAC/50HZ
				**	56388119	A/R	Charger, 36VDC, 36Amp, 230VAC/50HZ
							Replacement parts for the kits listed above can be found on each kit's associated instruction sheet.
			28" Model Squeegee Blade Kits				** = Optional, Not Included
**	56601531	1	Blade Kit, Squeegee Gum NOTE 1				# = Revised or new since last update
**	56601083	1	Blade Kit, Squeegee Red Gum (Standard) NOTE 1				NOTE 1: Squeegee Blade Kits include both front & rear squeegee blades.
**	56601529	1	Blade Kit, Squeegee PU NOTE 1				NOTE 2: These Disk Deck Blade Kits include required mounting fasteners (Rivet, Nylon Tree Push-In 56003263) the 2 blades (front and rear) for the deck and all skirt assembly blades.
**	56601532	1	Blade Kit, Squeegee Gum NOTE 1				NOTE 3: These Disk Deck Blade Kits include just the blades for use in the two Skirt Assemblies.
**	56601094	1	Blade Kit, Squeegee Red Gum (Standard) NOTE 1				NOTE 4: For use on 35" and 38" decks. These kits include all blades required for both the deck and skirts.
**	56601530	1	Blade Kit, Squeegee PU NOTE 1				
**	56390756	1	Blade Kit, Squeegee Gum NOTE 1				
**	56390757	1	Blade Kit, Squeegee Red Gum (Standard) NOTE 1				
**	56390758	1	Blade Kit, Squeegee PU NOTE 1				
**	56314913	1	Kit, Gum Rubber 28 Disk NOTE 2				
**	56314917	1	Kit, Linatex 28 Disk (Standard) NOTE 2				
**	56390967	1	Blade Kit-Disk PU NOTE 2				
**	56315722	1	Kit, Gum Rubber NOTE 3				
**	56315721	1	Kit, Red Gum Rubber NOTE 3				
**	56390869	1	Blade Kit-Disk PU NOTE 3				
**	56314914	1	Kit, Gum Rubber 32 Disk NOTE 2				
**	56314918	1	Kit, Linatex 32 Disk (Standard) NOTE 2				
**	56390979	1	Blade Kit-Disk PU NOTE 2				
**	56315722	1	Kit, Gum Rubber NOTE 3				
**	56315721	1	Kit, Red Gum Rubber NOTE 3				
**	56390869	1	Blade Kit-Disk PU NOTE 3				
**	56314860	1	Kit, Deck Blade Cyl Linatex (Standard) NOTE 4				
**#	56390991	1	Blade Kit-Cyl PU NOTE 4				
**#	56390791	1	Kit Cyl Blade Gum NOTE 4				

Item	Ref. No.	Qty	Description	Item	Ref. No.	Qty	Description
			28" Disk Scrub Brushes				28" Cylindrical Scrub Brushes
**	56505800	2	Short Trim Pad Holder	**	56412191	2	Soft Nylon
**	56505195	2	Pad Retainer for 56505750	**	56412192	2	Hard Nylon
**	56505805	2	ProLite	**	56412046	2	Prolene
**	56505804	2	Prolene	**	56412193	2	MidLite Grit 180
**	56505806	2	Union Mix	**	56412194	2	Dyna Grit 80
**	56505803	2	AgLite Grit 500	**	56412195	2	Magna Grit 46
**	56505807	2	MidGrit 240				32" Cylindrical Scrub Brushes
**	56505808	2	MidLite Grit 180	**	56407473	2	Soft Nylon
**	56505802	2	Dyna Grit 80	**	56407474	2	Hard Nylon
**	56505801	2	Magna Grit 46	**	56407475	2	Prolene
			32" Disk Scrub Brushes	**	56407476	2	MidLite Grit 180
**	56505830	2	Short Trim Pad Holder	**	56407477	2	Dyna Grit 80
**	56505195	2	Pad Retainer for 56505750	**	56407478	2	Magna Grit 46
**	56505835	2	ProLite				35" Cylindrical Scrub Brushes
**	56505834	2	Prolene	**	56314778	2	Soft Nylon
**	56505836	2	Union Mix	**	56314779	2	Hard Nylon
**	56505833	2	AgLite Grit 500	**	56314780	2	Prolene
**	56505837	2	MidGrit 240	**	56314781	2	MidLite Grit 180
**	56505838	2	MidLite Grit 180	**	56314782	2	Dyna Grit 80
**	56505832	2	Dyna Grit 80	**	56314783	2	Magna Grit 46
**	56505831	2	Magna Grit 46				38" Cylindrical Scrub Brushes
			35" Disk Scrub Brushes	**	56410294	2	Soft Nylon
**	56505750	2	Short Trim Pad Holder	**	56410295	2	Hard Nylon
**	56505195	2	Pad Retainer for 56505750	**	56410293	2	Prolene
**	56505755	2	ProLite	**	56410296	2	MidLite Grit 180
**	56505754	2	Prolene	**	56410297	2	Dyna Grit 80
**	56505756	2	Union Mix	**	56410298	2	Magna Grit 46
**	56505753	2	AgLite Grit 500				
**	56505757	2	MidGrit 240				
**	56505758	2	MidLite Grit 180				
**	56505752	2	Dyna Grit 80				
**	56505751	2	Magna Grit 46				
			38" Disk Scrub Brushes				
**	56505760	2	Short Trim Pad Holder				
**	56505195	2	Pad Retainer for 56505750				
**	56505765	2	ProLite				
**	56505764	2	Prolene				
**	56505766	2	Union Mix				
**	56505763	2	AgLite Grit 500				
**	56505767	2	MidGrit 240				
**	56505768	2	MidLite Grit 180				
**	56505762	2	Dyna Grit 80				
**	56505761	2	Magna Grit 46				

We provide brushes and pad holders that will give you the best possible performance between machine and floor. Following are descriptions of the materials and their applications.

- ProLite:** Bristles are made from light-duty polypropylene for general scrubbing when you do not want to scratch or remove finish from the floor. Recommended for use in place of red pads.
- Prolene:** Polypropylene material for medium-duty scrubbing on concrete, terrazzo and vinyl floor tile. Recommended for use in place of green or blue pads.
- Union Mix:** Medium grade natural fibers for polishing finished floors with standard-speed equipment. Recommended for use in place of white pads.
- AgLite Grit 500:** For light scrubbing when used wet; buffing or polishing when used dry on urethane coated, sealed concrete or other resilient hard surface floors. Recommended for use in place of red or white pads.
- MidGrit 240:** For general purpose scrubbing when you need a lighter action for sealed or unsealed concrete, stone, terrazzo, quarry tile and other resilient hard floor surfaces. Recommended for use in place of green or blue pads.
- MidLite Grit 180:** For general purpose scrubbing of sealed or unsealed concrete, stone, terrazzo, quarry tile and other resilient hard floor surfaces. Recommended for use in place of green or blue pads.
- Dyna Grit 80:** For aggressive, heavy-duty scrubbing or stripping of floors. Recommended for use in place of brown pads.
- Magna Grit 46:** For extreme heavy-duty scrubbing or stripping of floors. This brush has extra large diameter silicon carbide grit impregnated synthetic bristles. Recommended for use in place of black pads.
- Short Trim Pad Holder:** Made with a structural foam block and center ring for correct pad centering. It has a "shower feed" design for getting solution to the floor.

28" BRUSHES

56505800 - Short Trim Pad Holder
 56505195 - Pad Retainer for 56505800
 56505805 - Prolite
 56505804 - Prolene
 56505806 - Union Mix
 56505803 - AgLite Grit 500
 56505807 - MidGrit 240
 56505808 - MidLite Grit 180
 56505802 - Dyna Grit 80
 56505801 - Magna Grit 46

32" BRUSHES

56505830 - Short Trim Pad Holder
 56505195 - Pad Retainer for 56505830
 56505835 - Prolite
 56505834 - Prolene
 56505836 - Union Mix
 56505833 - AgLite Grit 500
 56505837 - MidGrit 240
 56505838 - MidLite Grit 180
 56505832 - Dyna Grit 80
 56505831 - Magna Grit 46

35" BRUSHES

56505750 - Short Trim Pad Holder
 56505195 - Pad Retainer for 56505750
 56505755 - Prolite
 56505754 - Prolene
 56505756 - Union Mix
 56505753 - AgLite Grit 500
 56505757 - MidGrit 240
 56505758 - MidLite Grit 180
 56505752 - Dyna Grit 80
 56505751 - Magna Grit 46

38" BRUSHES

56505760 - Short Trim Pad Holder
 56505195 - Pad Retainer for 56505760
 56505765 - Prolite
 56505764 - Prolene
 56505766 - Union Mix
 56505763 - AgLite Grit 500
 56505767 - MidGrit 240
 56505768 - MidLite Grit 180
 56505762 - Dyna Grit 80
 56505761 - Magna Grit 46

DISC BRUSH APPLICATION GUIDE (SUGGESTION ONLY)

	46	80	180	240	500			Union
Application	Grit	Grit	Grit	Grit	Grit	Prolene	Prolite	Mix
Stripping:								
Concrete	X	X						
Terrazzo	X	X						
Ceramic/Quarry tile		X						
Vinyl tile		X						
General Scrubbing:								
Concrete	X	X	X	X		X		
Terrazzo			X	X	X	X		
Ceramic/Quarry tile			X	X	X	X		
Marble					X		X	
Vinyl tile			X		X	X		
Raised-rubber tile					X		X	
Polishing:								
Raised Disc Tile								X
Marble								X
Vinyl tile								X

We provide brushes and pad holders that will give you the best possible performance between machine and floor. Following are descriptions of the materials and their applications.

- Soft Nylon:** Least aggressive brush available. Used on soft-finish floors where a more aggressive brush would leave scratch marks, or in applications requiring very light cleaning.
- Stiff Nylon:** Cleaning action similar to polypropylene. More durable and wear-resistant than polypropylene.
- Prolene:** Low cost, yet effective in cleaning many common floor surfaces.
- MidLite Grit 180:** Least aggressive grit brush. Used for daily cleaning of hard-finished floors.
- Dyna Grit 80:** Medium aggressive grit brush. Good all-around brush for medium to heavy buildup removal. Can also be used for general stripping operations.
- Magna Grit 46:** Most aggressive grit brush. Used primarily to clean heavy buildup on concrete floors in factories, or for heavy stripping of finish.

28" BRUSHES

56412191 - Soft Nylon
 56412192 - Hard Nylon
 56412046 - Prolene
 56412193 - MidLite Grit 180
 56412194 - Dyna Grit 80
 56412195 - Magna Grit 46

32" BRUSHES

56407473 - Soft Nylon
 56407474 - Hard Nylon
 56407475 - Prolene
 56407476 - MidLite Grit 180
 56407477 - Dyna Grit 80
 56407478 - Magna Grit 46

35" BRUSHES

56314778 - Soft Nylon
 56314779 - Hard Nylon
 56314780 - Prolene
 56314781 - MidLite Grit 180
 56314782 - Dyna Grit 80
 56314783 - Magna Grit 46

38" BRUSHES

56410294 - Soft Nylon
 56410295 - Hard Nylon
 56410293 - Prolene
 56410296 - MidLite Grit 180
 56410297 - Dyna Grit 80
 56410298 - Magna Grit 46

CYLINDRICAL BRUSH APPLICATION GUIDE (SUGGESTION ONLY)

Application	46 Grit	80 Grit	180 Grit	Polypro- pylene	Stiff Nylon	Soft Nylon
Stripping:						
Concrete	X	X				
Terrazzo	X	X				
Ceramic/Quarry tile		X				
Vinyl tile		X				
General Scrubbing:						
Concrete	X	X	X	X	X	
Terrazzo			X	X	X	X
Ceramic/Quarry tile			X	X	X	X
Marble			X		X	X
Vinyl tile			X	X	X	X
Raised-rubber tile			X			X

Gum Rubber: Provides superior wiping action on tile, terrazzo, and polished floors.

Linatex™: Provides longest life on finished or unfinished concrete floors.

Polyurethane: Oil resistance provides superior life in applications with oily floors.

SQUEEGEE BLADE APPLICATION GUIDE(SUGGESTION ONLY)

Performance Traits	Gum Rubber (Natural Rubber)	Linatex™ (Natural Rubber)	Polyurethane/ Pentathane
Resilience	X		X
Tear Strength	X		X
Abrasion Resistance	X	X	X
Wear Resistance		X	X
Low Temp Flexibility	X	X	
High Temp Flexibility	X		X
Ozone Resistance			
Chemical Resistance			X
Applications			
Oil Resistant Applications			X
General Purpose	X	X	X
Hot Water Applications		X	X
Chemical Applications			X
Color	Tan	Red	Translucent



Advance

14600 21st Avenue North
Plymouth, MN 55447-3408

www.advance-us.com

Phone: 800-989-2235

Fax: 800-989-6566

©2010 Nilfisk-Advance, Inc.

A Nilfisk-Advance Brand