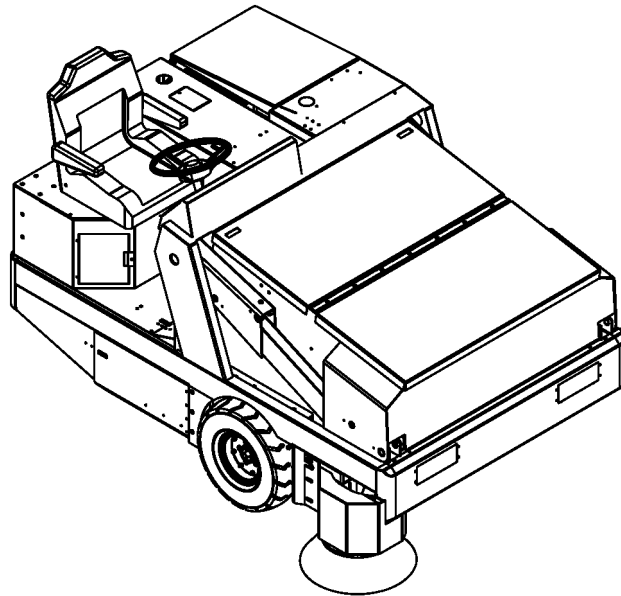


4366XP



PARTS LIST

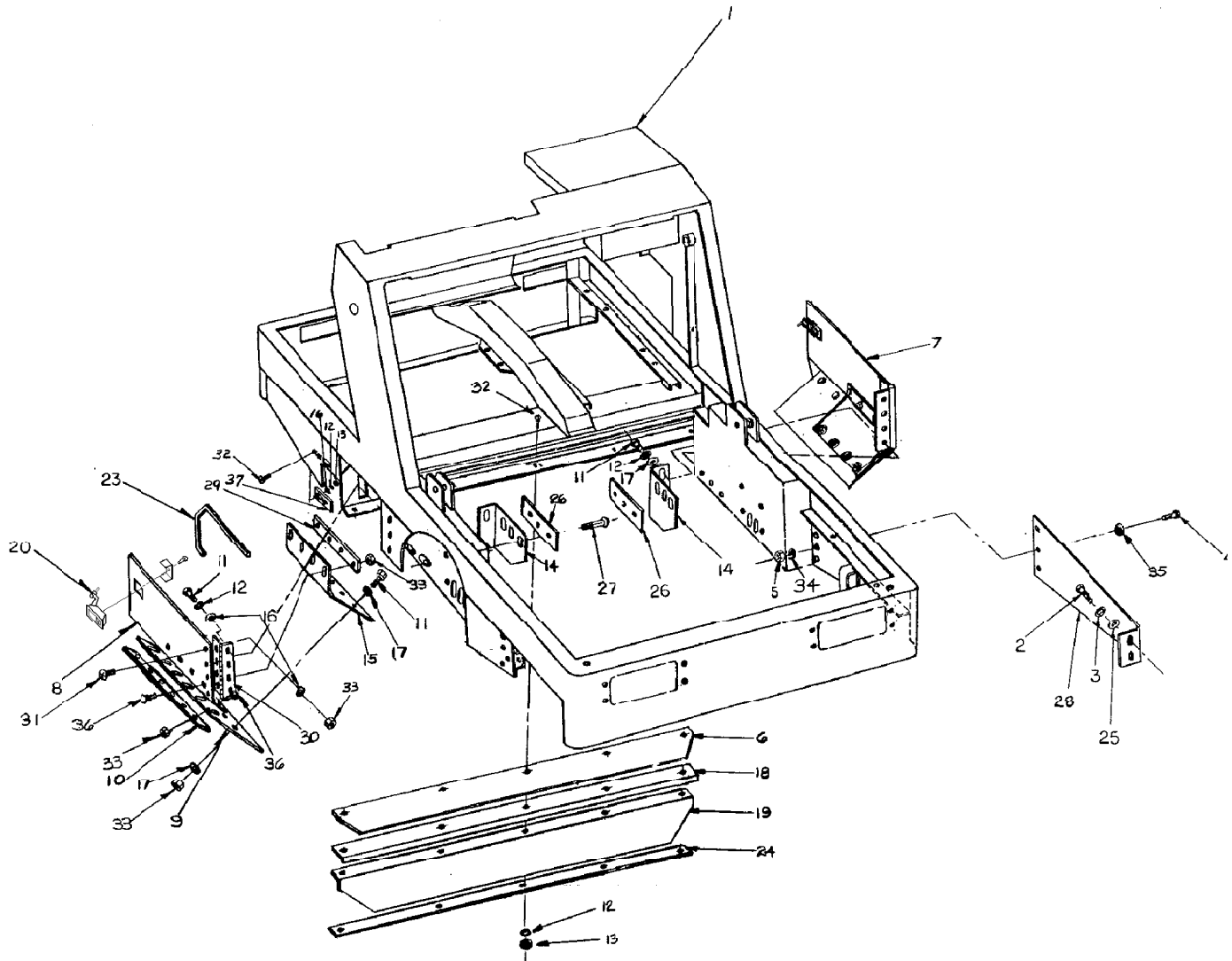
Models 56516751(Gas), 56516752(LPG), 56516754(Diesel)

| DESCRIPTION | PAGE |
|---|-------|
| Frame, Broom Doors, & Flaps | 4-5 |
| Main Broom Assembly | 6-7 |
| Main Broom Lift Mechanism..... | 8-9 |
| Side Broom Assembly..... | 10-11 |
| Operator Compartment..... | 12-13 |
| Control Panel & Horn | 14-15 |
| Hopper System - 1 | 16 |
| Hopper System – 2 | 17 |
| Hopper System – 3 | 18-19 |
| Hopper Lift System..... | 20-21 |
| Steering Gear & Rear Drive System | 22-23 |
| Forward/Reverse Assembly (Gasoline/LPG/Diesel) | 24-25 |
| Forward/Reverse Control (Gasoline & LPG Only) | 26-29 |
| Forward/Reverse Control (Diesel Only) | 30-31 |
| Front Wheel & Brake Assembly | 32-33 |
| Brake Control Linkage..... | 34-35 |
| Impeller & Fittings | 36-37 |
| Control Valve & Fittings..... | 38-39 |
| Rear Drive Motor & Fittings..... | 40 |
| Main Broom Motor & Fittings..... | 41 |
| Side Broom Motor & Fittings | 42 |
| Lift, Rotation & Dump Cylinders w/ Fittings..... | 43 |
| Lift Cylinder Lock-out Valve & Fittings..... | 44 |
| Auxiliary Manifold & Fittings | 45 |
| Return Manifold Assembly | 46-47 |
| Hydraulic Reservoir & Fittings..... | 48-49 |
| Engine Cover | 50-51 |
| Engine Access Door..... | 52-53 |
| GM 3.0 Liter - Gas & LP Engines (Mounting Brackets)..... | 54-55 |
| GM 3.0 Liter - Gas Engine (Fan, Air Intake & Radiator Hoses)..... | 56-57 |
| GM 3.0 Liter - LP Engine (Fan, Air Intake/Radiator Hoses) | 58-59 |
| GM 3.0 Liter - Gas & LP Engines (Exhaust System) | 60-61 |
| GM 3.0 Liter - Gas Engine (Fuel System)..... | 62-65 |
| Radiator Assembly - GM 3.0 Liter Engine (Gasoline & LPG)..... | 66-67 |
| LP Tank System | 68-69 |
| Air Cleaner Assembly (Gasoline/LPG/Diesel)..... | 70-71 |
| Mitsubishi SQ2 - Diesel Engine (Fan, Brackets, Throttle)..... | 72-73 |
| Mitsubishi SQ2 - Diesel Engine (Exhaust System) | 74-75 |
| Mitsubishi SQ2 - Diesel Engine (Fuel System) | 76-77 |
| Radiator Assembly (Diesel)..... | 78-79 |
| Fuel Tank (Diesel)..... | 80-81 |
| Decals | 82-83 |
| Instrument Panel..... | 84-85 |
| Hydraulic Hose System..... | 86-89 |
| Harness Routing (Gasoline/LPG/Diesel)..... | 90-91 |
| Wiring Diagram | 92 |
| Broom Selector Guide..... | 93 |

WHEN ORDERING PARTS

- * Use the part numbers from the "Ref. No." columns in this parts list.
- * Specify the model and serial number of the machine.
- * Use the space below to record the model and serial number for future reference.

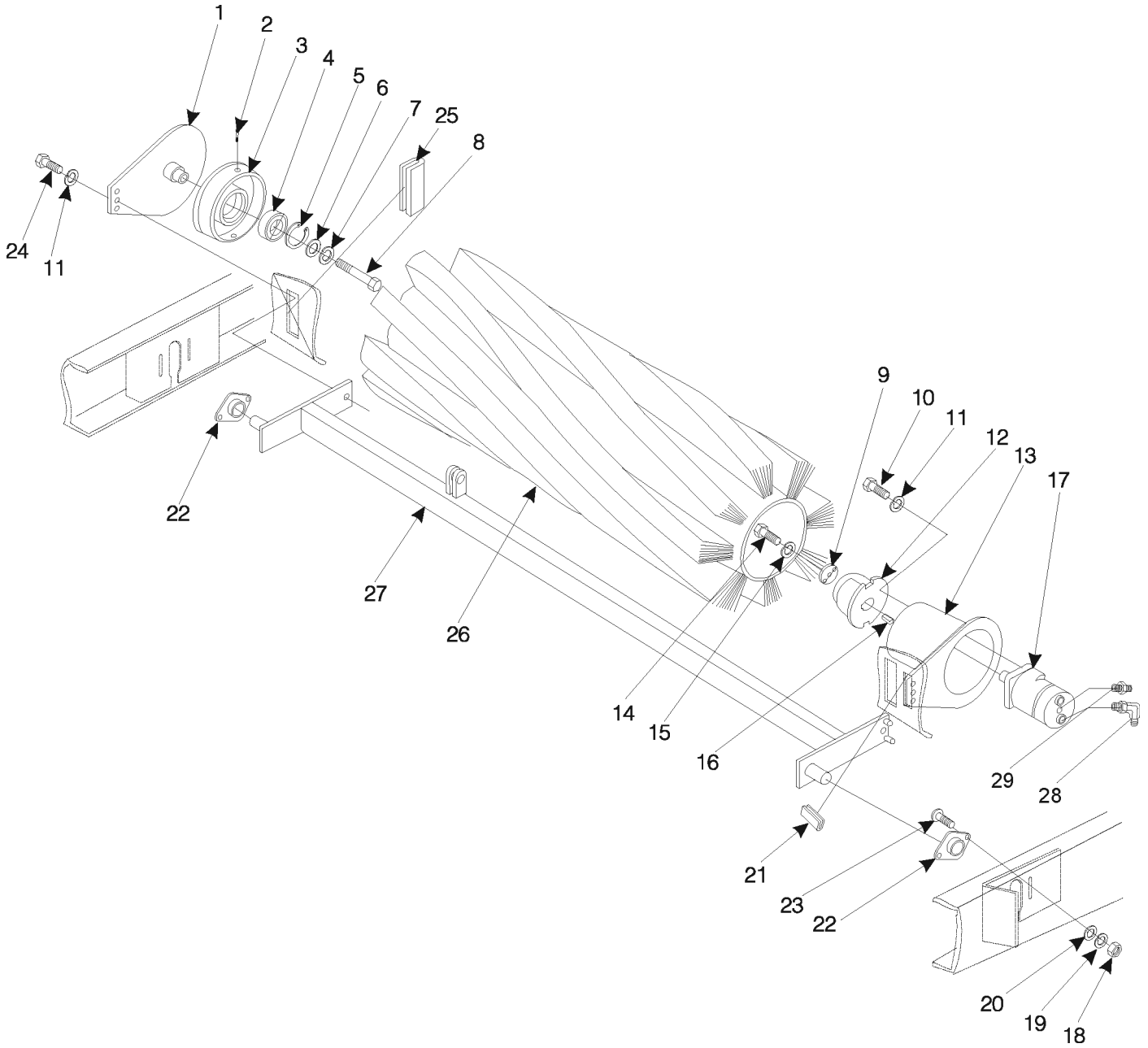
Model _____ Serial No. _____



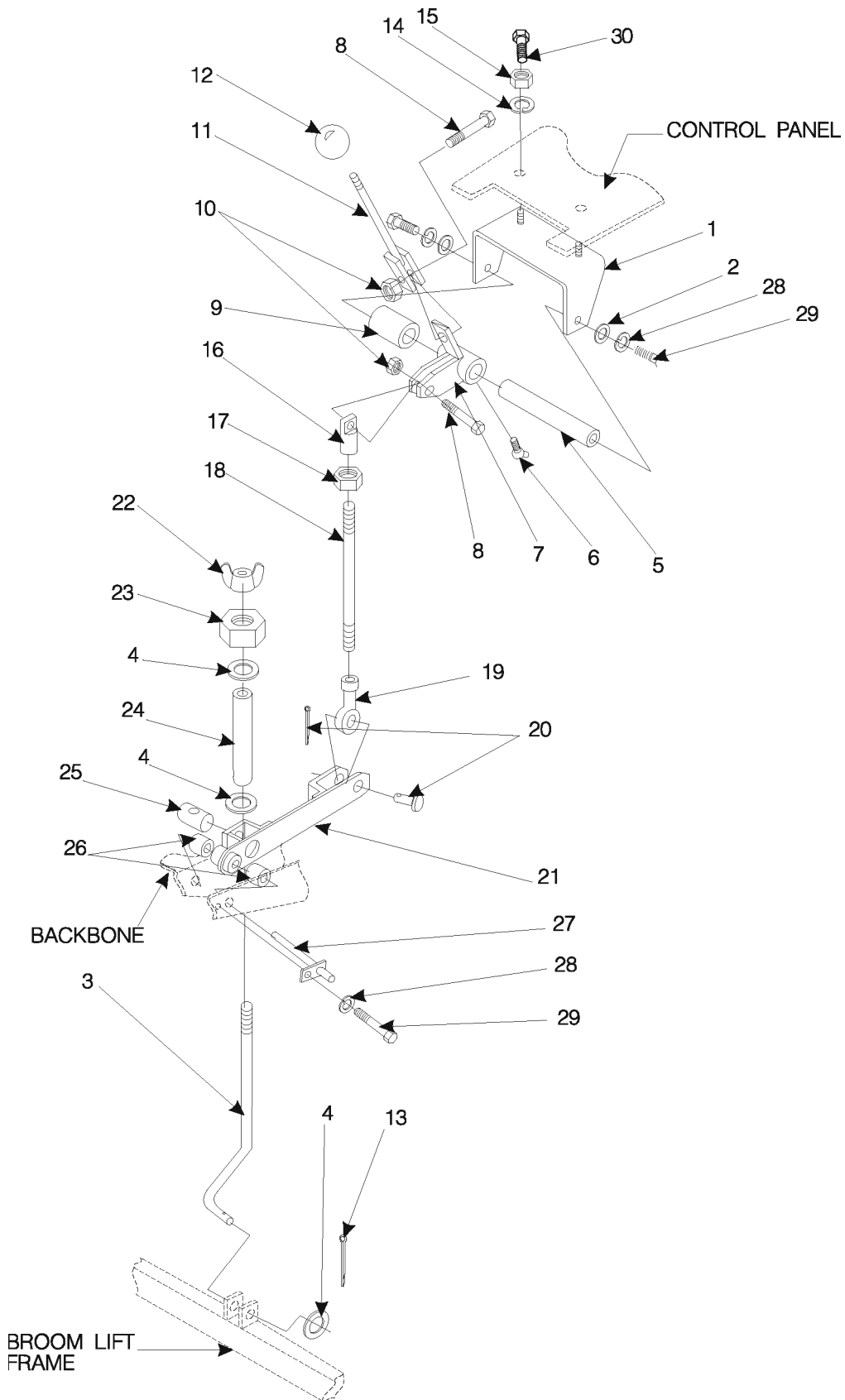
08-11

FRAME, BROOM DOORS, & FLAPS**4366XP****5**

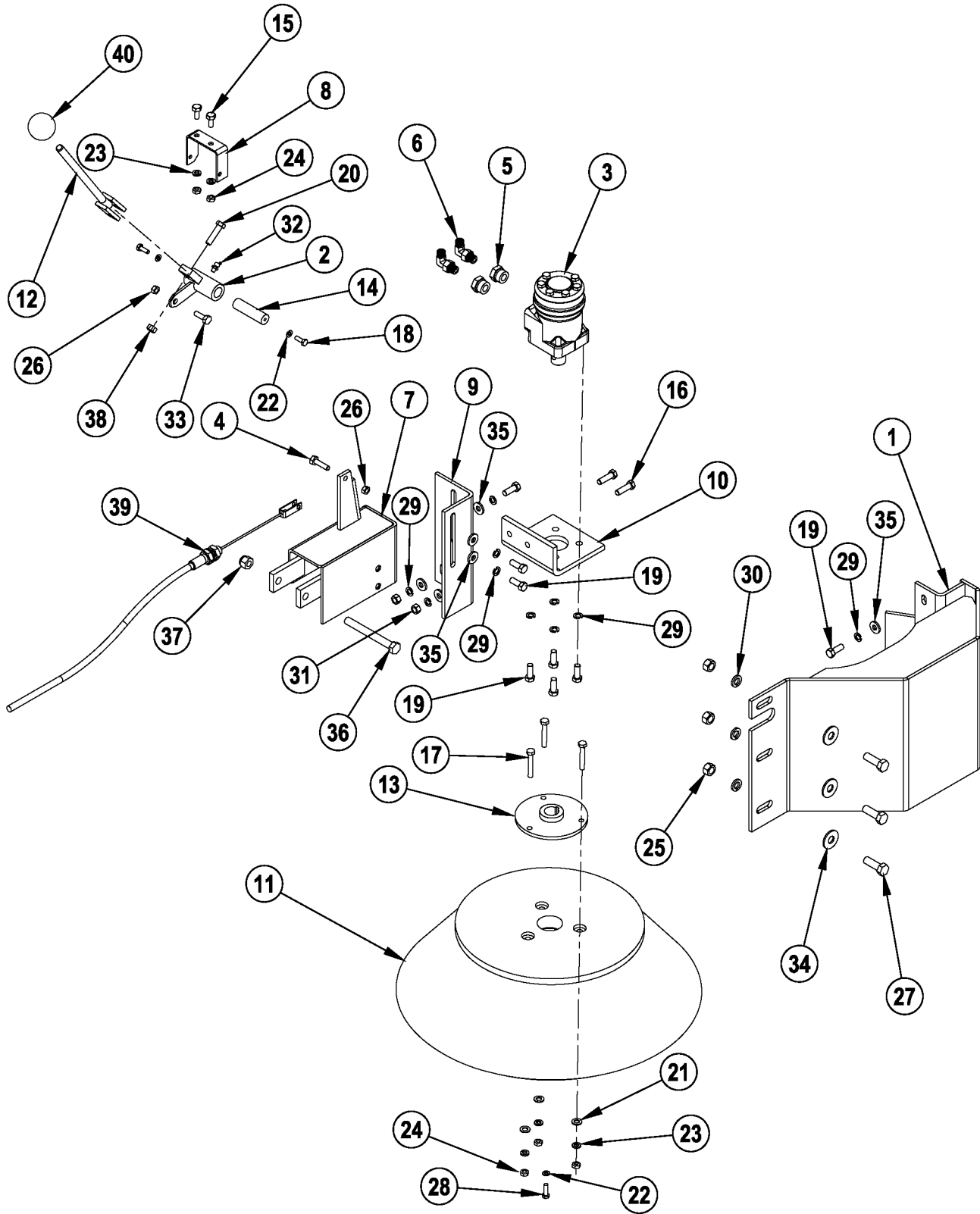
| Item | Ref. No. | Qty | Description |
|------|------------|-----|----------------------------------|
| 1 | 56516778 | 1 | Frame |
| 2 | 2-00-00233 | 2 | Screw, 3/8-16 x 1.0 HHC |
| 3 | 2-00-02310 | 2 | Lock Washer, 3/8 Helical Spring |
| 4 | 2-00-00240 | 3 | Screw, 1/2-13 x 1.25 HHC |
| 5 | 2-00-00596 | 3 | Nut, 1/2-13 x .750 x .437 Hex |
| 6 | 8-25-08172 | 1 | Flap, Rear Inside BC Frame |
| 7 | 56516779 | 1 | Door, LH Broom Chamber |
| 8 | 56516780 | 1 | Door, RH Broom Chamber |
| 9 | 8-25-08185 | 2 | Flap, Outer BC Door |
| 10 | 56516781 | 2 | Clamp, Outer BC Door Flap |
| 11 | 2-00-00205 | 16 | Screw, 1/4-20 x 3/4 HHC |
| 12 | 2-00-00518 | 17 | Lock Washer, 1/4 Helical Spring |
| 13 | 2-00-00594 | 5 | Nut, 1/4-20 x .437 x .218 Hex |
| 14 | 8-25-08174 | 2 | Flap, Wheel Well |
| 15 | 8-25-08184 | 2 | Flap, Inner Broom Door |
| 16 | 2-00-03702 | 18 | Flat Washer, .625 x .281 x .062 |
| 17 | 2-00-01676 | 18 | Flat Washer, 1.062 x .265 x .062 |
| 18 | 56516782 | 1 | Clamp, BC Inner Rear Flap |
| 19 | 8-25-08173 | 1 | Flap, Rear Outside BC Frame |
| 20 | 7-41-00065 | 2 | Latch, Broom Door |
| 23 | 8-68-05073 | 2 | Seal, Main Broom Chamber |
| 24 | 56516783 | 1 | Clamp, Outer BC Rear Flap |
| 25 | 2-00-00402 | 2 | Flat Washer, .750 x .390 x .093 |
| 26 | 56516784 | 2 | Clamp, Wheel Well Flap |
| 27 | 2-00-04877 | 6 | Screw, 1/4-20 x 1.0 |
| 28 | 56516785 | 1 | Front Skirt |
| 29 | 56516786 | 2 | Clamp, Inner Broom Door Flap |
| 30 | 8-32-00043 | 2 | Hinge, Plated |
| 31 | 2-00-00078 | 8 | Screw, 1/4-20 x 1.0 HHC |
| 32 | 2-00-02196 | 9 | Carriage Bolt, 1/4-20 x 1.0 |
| 33 | 2-00-00641 | 36 | Nut, 1/4-20 Fiber Lock |
| 34 | 2-00-02312 | 3 | Lock Washer, 1/2 Helical Spring |
| 35 | 2-00-04159 | 3 | Flat Washer, 9/16 I.D. |
| 36 | 2-00-03575 | 18 | Carriage Bolt, 1/4-20 x 3/4 |
| 37 | 8-41-00047 | 2 | Tab, Broom Door Latch |



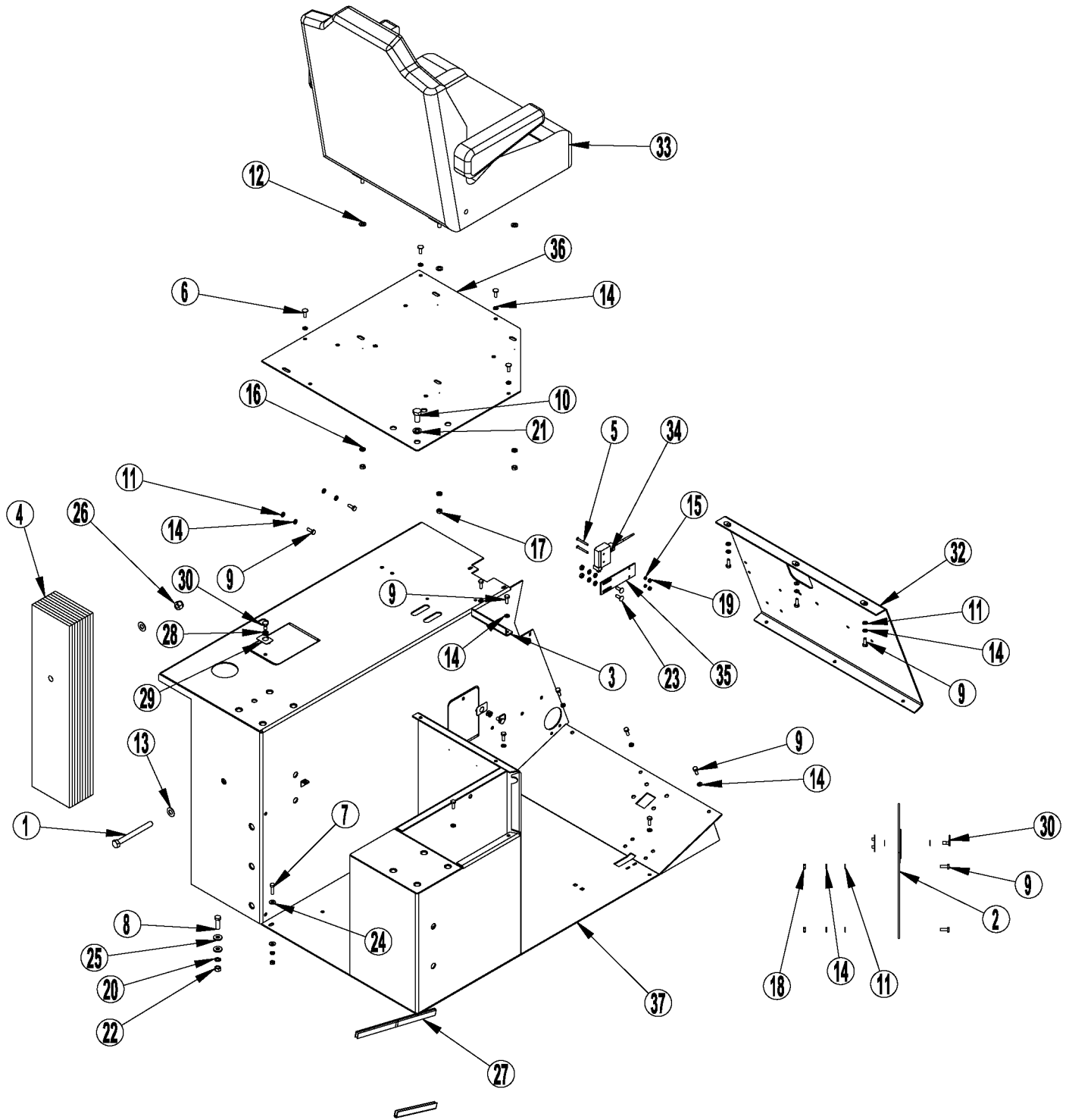
| Item | Ref. No. | Qty | Description |
|------|--------------|-----|---------------------------------------|
| 1 | 8-16-00039 | 1 | Broom Arm Weldment |
| 2 | 2-00-04886 | 2 | Screw, 3/8-16 x 1/2 HSHC |
| 3 | 8-33-09090 | 1 | Idle, Main Broom |
| 4 | 2-00-04889 | 1 | Ball Bearing |
| 5 | 2-00-04890 | 1 | Retaining Ring, 2.437 Int. |
| 6 | 8-75-01157 | 1 | Flat Washer, 3/4 |
| 7 | 2-00-00522 | 1 | Lock Washer, 3/4 Helical Spring |
| 8 | 2-00-04887 | 1 | Screw, 3/4-10 x 1.25 HHC |
| 9 | 8-58-05160 | 1 | Plate, Locking Hub |
| 10 | 2-00-00232 | 4 | Screw, 3/8-16 x 3/4 HHC |
| 11 | 2-00-02310 | 6 | Lock Washer, 3/8 Helical Spring |
| 12 | 8-33-09046-1 | 1 | Drive Hub |
| 13 | 8-16-00041 | 1 | Arm, Drive Broom |
| 14 | 2-00-03039 | 3 | Screw, 1/4-20 x .625 HSHC |
| 15 | 2-00-00518 | 6 | Lock Washer, 1/4 Helical Spring |
| 16 | 2-00-00722 | 1 | Woodruff Key, 1/4 x 1 (#15) |
| 17 | 0882-040 | 1 | Hydraulic Motor |
| 18 | 2-00-00585 | 4 | Nut, Hex 5/16-18 x .500 x .265 |
| 19 | 2-00-00530 | 4 | Lock Washer, 5/16 Helical Spring |
| 20 | 2-00-00409 | 4 | Flat Washer, .687 x .343 x .062 |
| 21 | 8-21-04048 | 2 | Edging |
| 22 | 2-00-03997 | 2 | Flange Bearing, 3.750 x 1.0 |
| 23 | 2-00-00196 | 4 | Carriage Bolt, 5/16-18 x 1.0 |
| 24 | 2-00-00233 | 2 | Screw, 3/8-16 x 1.0 HHC |
| 25 | 8-29-00220 | 4 | Gasket, Broom Chamber |
| 26 | REF | 1 | Main Broom (see Broom Selector Guide) |
| 27 | 8-03-04281 | 1 | Lift Frame, Main Broom |
| 28 | 2-00-04885 | 1 | Elbow Fitting - 90° St. Thd. |
| 29 | 2-00-04895 | 1 | Straight Fitting - SAE #4 to ORS #4 |



| Item | Ref. No. | Qty | Description |
|------|------------|-----|-----------------------------------|
| 1 | 8-08-00645 | 1 | Bracket, Main Broom Pivot |
| 3 | 8-66-00161 | 1 | Rod, Linkage (Main Broom) |
| 4 | 2-00-00432 | 3 | Flat Washer, 3/4 I.D. |
| 5 | 8-70-05284 | 1 | Shaft |
| 6 | 2-00-02558 | 1 | Lubrication Fitting, 45° 1/8 NPT |
| 7 | 8-16-00035 | 1 | Pivot Block |
| 8 | 2-00-00234 | 2 | Screw, 3/8-16 x 1.50 HHC |
| 9 | 8-75-01177 | 1 | Pivot Tube Spacer |
| 10 | 2-95-04182 | 2 | Nut, 3/8-16 Fiber Insert Hex |
| 11 | 8-16-00034 | 1 | Lever |
| 12 | 8-39-00003 | 1 | Knob |
| 13 | 2-00-02436 | 1 | Cotter Pin, 1.500 x 1.875 |
| 14 | 2-00-00530 | 2 | Lock Washer, 5/16 Helical Spring |
| 15 | 2-00-00585 | 1 | Nut, 5/16-18 x .500 x .265 Hex |
| 16 | 8-66-00141 | 1 | Rod End |
| 17 | 2-00-00591 | 1 | Nut, 1/2-20 x .750 x .312 Hex Jam |
| 18 | 8-66-00150 | 1 | Rod, Control Rod Lift Linkage |
| 19 | 8-66-00144 | 1 | "MPB" Rod End # WF-8-32 |
| 20 | 8-55-08101 | 1 | Clevis Pin #1/2-1.75 - E&E |
| 21 | 8-16-00037 | 1 | Lift Linkage |
| 22 | 2-00-04891 | 1 | Wing Nut, 3/4-10 Thread |
| 23 | 8-39-00011 | 1 | Torque Knob |
| 24 | 8-75-01180 | 1 | Spacer |
| 25 | 8-55-08099 | 1 | Pivot Pin |
| 26 | 8-75-01178 | 2 | Spacer, .78 x .97 |
| 27 | 8-16-00038 | 1 | Pivot Shaft |
| 28 | 2-00-00518 | 3 | Lock Washer, 1/4 Helical Spring |
| 29 | 2-00-00221 | 3 | Screw, 1/4-20 x 3/4 HHC |
| 30 | 2-00-00208 | 2 | Screw, 5/16-18 x 3/4 |

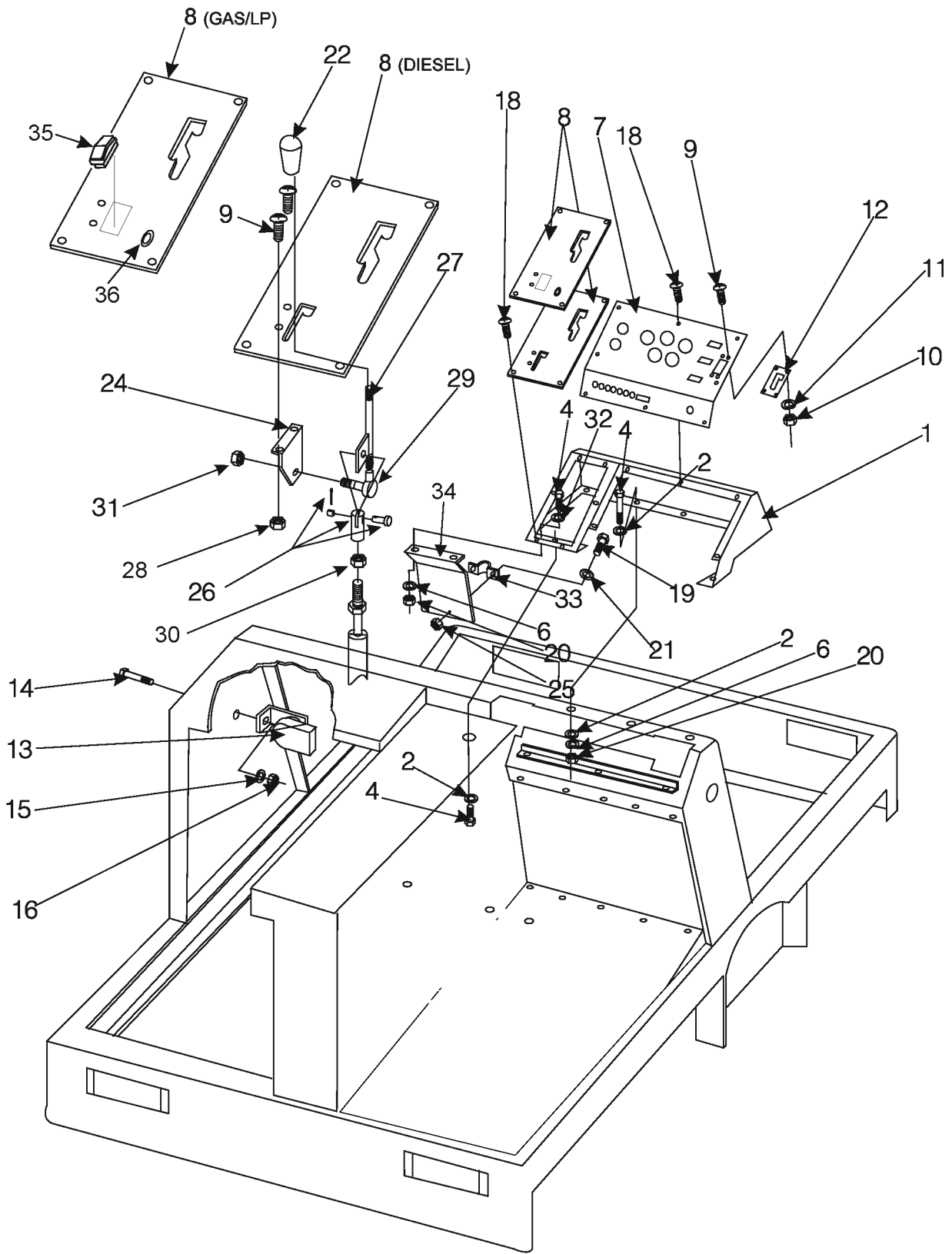


| Item | Ref. No. | Qty | Description |
|------|------------|-----|--|
| 1 | 56516809 | 1 | Weldt, Side Broom Guard |
| 2 | 56516810 | 1 | Pivot-Side Broom |
| 3 | 0882-047 | 1 | Side Broom Motor |
| 4 | 2-00-00207 | 1 | Screw, Hex Head 5/16-18 X 1.25" |
| 5 | 2-00-04915 | 2 | Fitting-Reducer Sae 10 / Sae 6 |
| 6 | 2-00-04926 | 2 | Fitting-90 Sae6 To Ors4 |
| 7 | 8-03-04282 | 1 | Weldt-Side Broom Arm Rh |
| 8 | 8-08-00646 | 1 | Bracket-Side Broom Pivot |
| 9 | 8-08-00725 | 1 | Bracket-Side Brm Lift Arm 3366 |
| 10 | 8-08-00726 | 1 | Bracket-Side Broom Lift Arm |
| 11 | 8-08-03211 | 1 | Side Broom-Nylon |
| 12 | 8-16-00034 | 1 | Broom Lift Lever |
| 13 | 8-25-06008 | 1 | Flange-Curb Broom |
| 14 | 8-70-05285 | 1 | Shaft-Side Broom Pivot |
| 15 | 2-00-00208 | 2 | Screw, 5/16-18 X .750 Hhc |
| 16 | 2-00-00209 | 2 | Bolt, Hex Head, 3/8-16 X 1 1/4 Ss |
| 17 | 2-00-00218 | 3 | Bolt-Hex Head, 5/16-18 |
| 18 | 2-00-00221 | 2 | Bolt-Hex Head, Finished, 1/4-20x3/4 Lg |
| 19 | 2-00-00233 | 9 | Bolt-Hex Head, Finished, 3/8-16 X 1.00 |
| 20 | 2-00-00234 | 1 | Screw, 3/8-16 X 1-1/2 Hhc |
| 21 | 2-00-00409 | 3 | Flat Washer, .687 X .344 X .062 |
| 22 | 2-00-00518 | 3 | Washer,Lock,1/4" Helical Spring |
| 23 | 2-00-00530 | 5 | 5/16" Lock Washer |
| 24 | 2-00-00585 | 5 | 5/16-18, Hex Nut |
| 25 | 2-00-00596 | 3 | Nut, Hex Head, 1/2-13 X .44 Lg |
| 26 | 2-00-00644 | 2 | Nut, Hex, Insert Fiber, 5/16-18 |
| 27 | 2-00-01254 | 3 | Screw, Hex, 1/2-13 X 1.50 |
| 28 | 2-00-01490 | 1 | 1/4-20 X 0.875", Hex Head Screw |
| 29 | 2-00-02310 | 11 | Washer-Lock, 3/8", Helical Spring |
| 30 | 2-00-02312 | 3 | Washer, 1/2" Lock |
| 31 | 2-00-02360 | 2 | Nut, Hex, 3/8-16 |
| 32 | 2-00-02558 | 1 | Grease Fitting |
| 33 | 2-00-02708 | 1 | Screw, Hex Head, 5/16-18 X 1.00" |
| 34 | 2-00-04159 | 3 | Washer, Flat 1-3/8 X 9/16 X 7/64 |
| 35 | 2-00-04801 | 7 | Flat Washer, 1.00 X .39 X .06 |
| 36 | 2-00-04914 | 1 | Screw 1/2-13 X 4.5" Lg |
| 37 | 2-00-04936 | 1 | Locknut-Elastic, 1/2-13 |
| 38 | 2-95-04182 | 1 | Nut, Hex, Stop, 3/8-16 |
| 39 | 8-10-00028 | 1 | Cable-Fwd / Rev |
| 40 | 8-27-07118 | 1 | Frame, 3366 |
| 41 | 8-39-00003 | 1 | Knob |

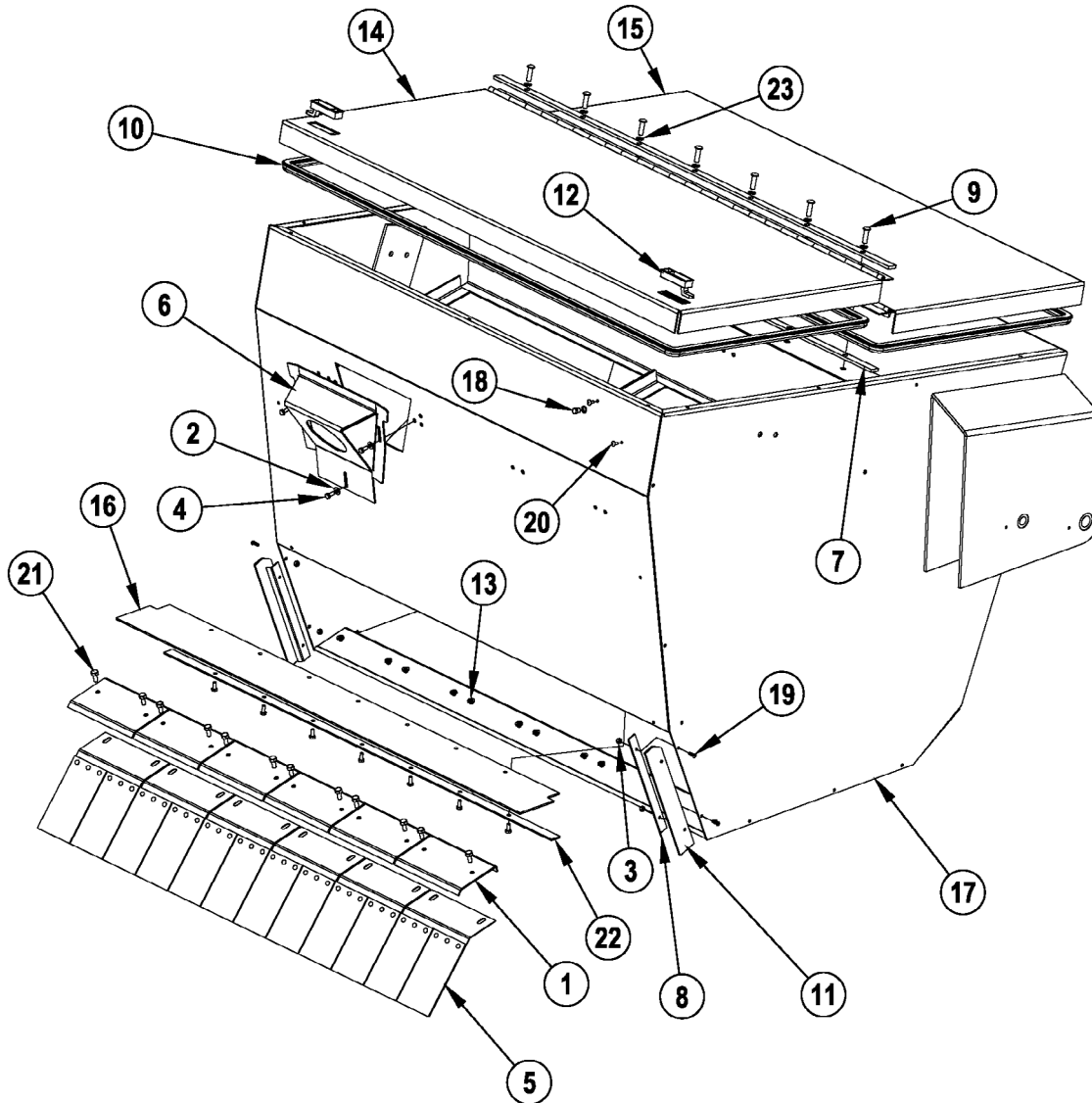


| Item | Ref. No. | Qty | Description |
|------|------------|-----|--|
| 1 | 56003282 | 1 | Scr, Hex 1/2-13 X 5.00 Grade 8 |
| 2 | 56516791 | 1 | Battery Door |
| 3 | 56516793 | 1 | Bracket-Battery Hold Down |
| 4 | 56516794 | 9 | Weight |
| 5 | 2-00-00090 | 2 | Screw, #8-32 X 1.50 Lg, Rhm |
| 6 | 2-00-00183 | 4 | Screw, 1/4-20, Round Head |
| 7 | 2-00-00205 | 1 | Bolt-Hex Head, Finished, 1/4-20 |
| 8 | 2-00-00209 | 1 | Bolt, Hex Head, 3/8-16 X 1 1/4 Ss |
| 9 | 2-00-00221 | 15 | Bolt-Hex Head, Finished, 1/4-20x3/4 Lg |
| 10 | 2-00-00239 | 1 | Screw, 1/2-13 X 1.000 Hhc |
| 11 | 2-00-00407 | 9 | Washer, Flat 1/4 |
| 12 | 2-00-00409 | 4 | Flat Washer, .687 X .344 X .062 |
| 13 | 2-00-00427 | 2 | Washer, .50 Id X 1.0 Od X .06 |
| 14 | 2-00-00518 | 22 | Washer,Lock, 1/4" Helical Spring |
| 15 | 2-00-00529 | 2 | Washer, #8 Lock |
| 16 | 2-00-00530 | 4 | 5/16" Lock Washer |
| 17 | 2-00-00585 | 4 | 5/16-18, Hex Nut |
| 18 | 2-00-00594 | 5 | Nut, Hex 1/4-20 |
| 19 | 2-00-00602 | 2 | Hex Nut |
| 20 | 2-00-02310 | 1 | Washer-Lock, 3/8", Helical Spring |
| 21 | 2-00-02312 | 1 | Washer, 1/2" Lock |
| 22 | 2-00-02360 | 1 | Nut, Hex, 3/8-16 |
| 23 | 2-00-03575 | 2 | Bolt-Carr, .25-20 X .75 Gr5 Zn |
| 24 | 2-00-03702 | 2 | Washer, .625 X .281 X .063 |
| 25 | 2-00-04801 | 2 | Flat Washer, 1.00 X .39 X .06 |
| 26 | 2-00-04936 | 1 | Locknut-Elastic, 1/2-13 |
| 27 | 7-21-04031 | 3 | Edging-Brush Drive Support |
| 28 | 7-23-03106 | 6 | Washer-Screw-Captivated |
| 29 | 7-23-03108 | 3 | U Clip-Screw-Captivated |
| 30 | 7-23-03113 | 3 | Fastener, Qtr. Turn |
| 31 | 8-27-07118 | 1 | Frame, 3366 |
| 32 | 56516795 | 1 | Kick Wall Weldment |
| 33 | 8-69-00019 | 1 | Seat- Suspension |
| [] | 8-03-04320 | 1 | Arm Rest Kit (RH + LH) |
| 34 | 8-82-00058 | 1 | Switch |
| 35 | 56516789 | 1 | Bracket, Hopper Switch |
| 36 | 56516790 | 1 | Panel, Seat Deck |
| 37 | 56516792 | 1 | Weldmt-1pc Drive Comp3366 |
| [] | 8-13-07087 | 2 | Clip |
| [] | 2-00-00686 | 1 | Wrench, 3/4-9/16 |
| [] | 2-00-03061 | 2 | Screw, #10-24 x 1/2 THM |
| [] | 2-00-00605 | 2 | Nut, Hex MS #10-24 x .375 x .125 |
| [] | 2-00-00519 | 2 | Lock Washer, #10 Helical Spring |

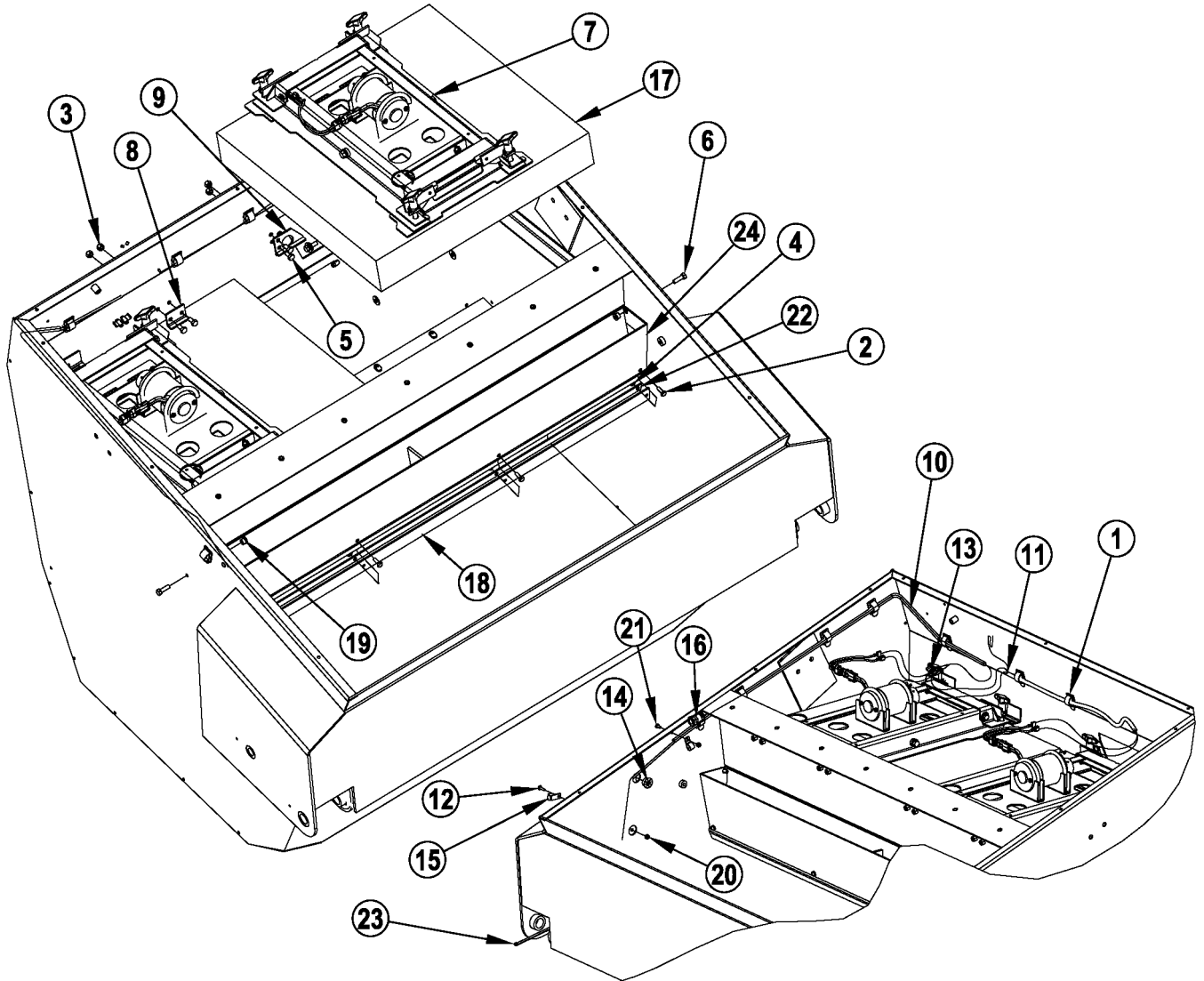
[] = Not Shown



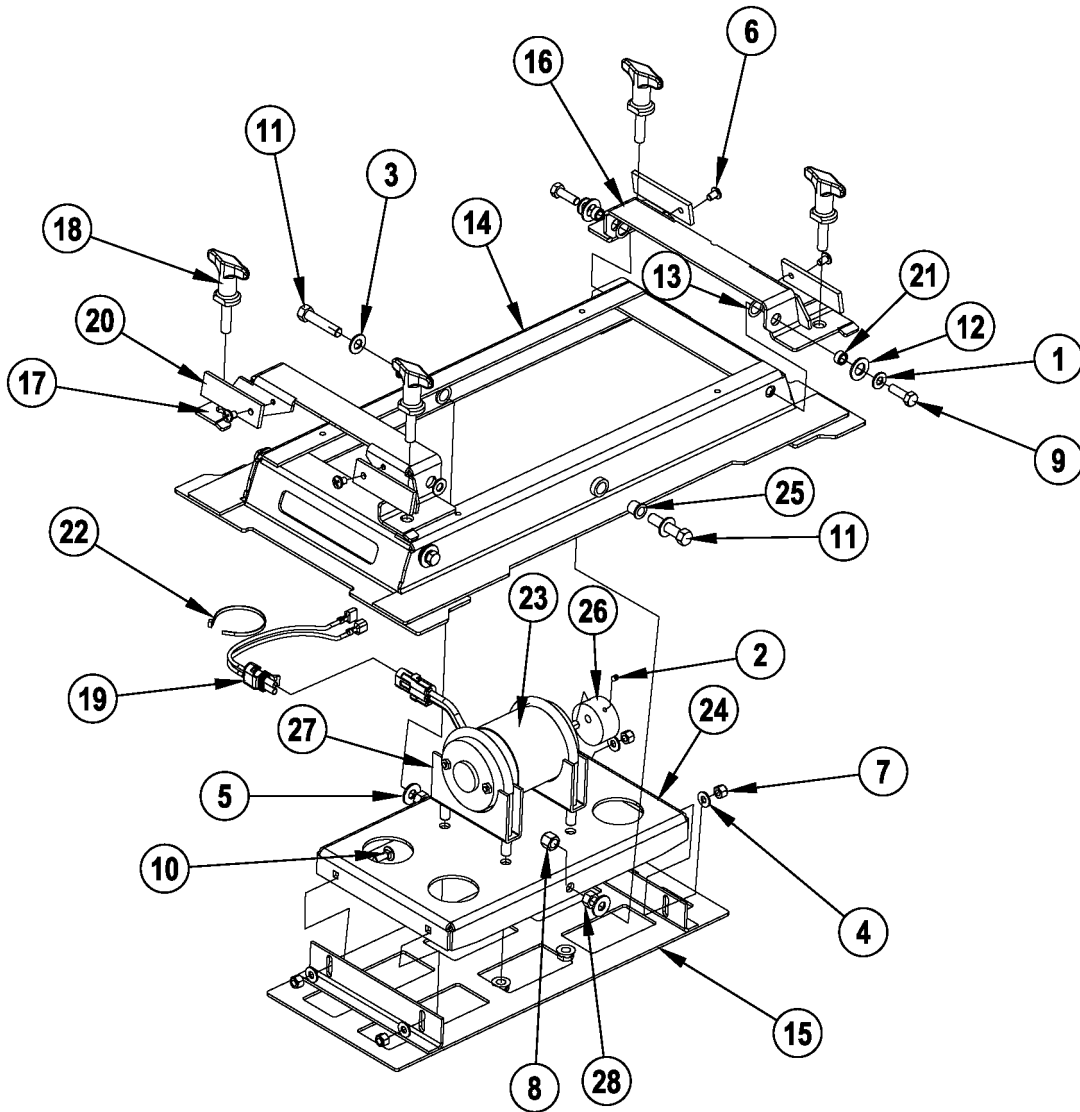
| Item | Ref. No. | Qty | Description |
|------|------------|-----|--|
| 1 | 56516825 | 1 | Instrument Housing |
| 2 | 2-00-00407 | 12 | Flat Washer, .562 x .265 x .062 |
| 4 | 2-00-00221 | 19 | Screw, 1/4-20 x 3/4 HHC |
| 6 | 2-00-00518 | 17 | Lock Washer, Helical Spring 1/4 Med |
| 7 | 56516826 | 1 | Face Plate, Instrument Compartment |
| 8 | 56516827 | 1 | Face Plate, MB Control/Throttle (Diesel) |
| | 56516828 | 1 | Face Plate, MB Control/Throttle (Gas/LP) |
| 9 | 2-00-03061 | 9 | Screw, #10-24 x 1/2 THM |
| 10 | 2-00-00605 | 9 | Nut, Hex MS #10-24 x .375 x .125 |
| 11 | 2-00-00519 | 9 | Lock Washer, #10 Helical Spring |
| 12 | 56516829 | 1 | Backing Plate, Brush Control Lever |
| 13 | 8-32-09013 | 1 | Horn |
| 14 | 2-00-00208 | 1 | Screw, 5/16-18 x 3/4 HHC |
| 15 | 2-00-00530 | 1 | Lock Washer, 5/16 Helical Spring |
| 16 | 2-00-00585 | 1 | Nut, 5/16-18 x .500 x .265 Hex |
| 18 | 2-00-03466 | 13 | Screw, #10-16 x 1/2 T/F RH |
| 19 | 2-00-04794 | 2 | Screw, #10-24 x .625 |
| 20 | 2-00-00594 | 8 | Nut, 1/4-20 x .437 x .218 Hex |
| 21 | 2-00-00426 | 3 | Flat Washer, .500 x .218 x .062 |
| 22 | 7-39-00017 | 1 | Knob (Diesel) |
| 24 | 56516830 | 1 | Bracket |
| 25 | 2-00-01246 | 4 | Nut, 10-24 Fiber Insert Hex |
| 26 | 7-14-07006 | 1 | Clevis Assembly |
| 27 | 8-41-05074 | 1 | Throttle Lever (Diesel) |
| 28 | 2-00-01246 | 4 | Nut, Hex #10-24 Fiber Lock |
| 29 | 7-25-02050 | 1 | Rod End (Diesel) |
| 30 | 2-00-00626 | 1 | Nut, #10-32 Hex |
| 31 | 2-00-00633 | 1 | Nut, 1/4-18 Fiber Lock |
| 32 | 2-00-03702 | 2 | Flat Washer, .625 x .281 x .062 |
| 33 | 8-13-07094 | 1 | Clamp |
| 34 | 8-08-00735 | 1 | Bracket, Cable |
| 35 | 8-82-00074 | 1 | Switch Body & Actuator-1 piece (Gas/LP) |
| 36 | 7-11-04080 | 1 | Check Engine Light (MIL) |



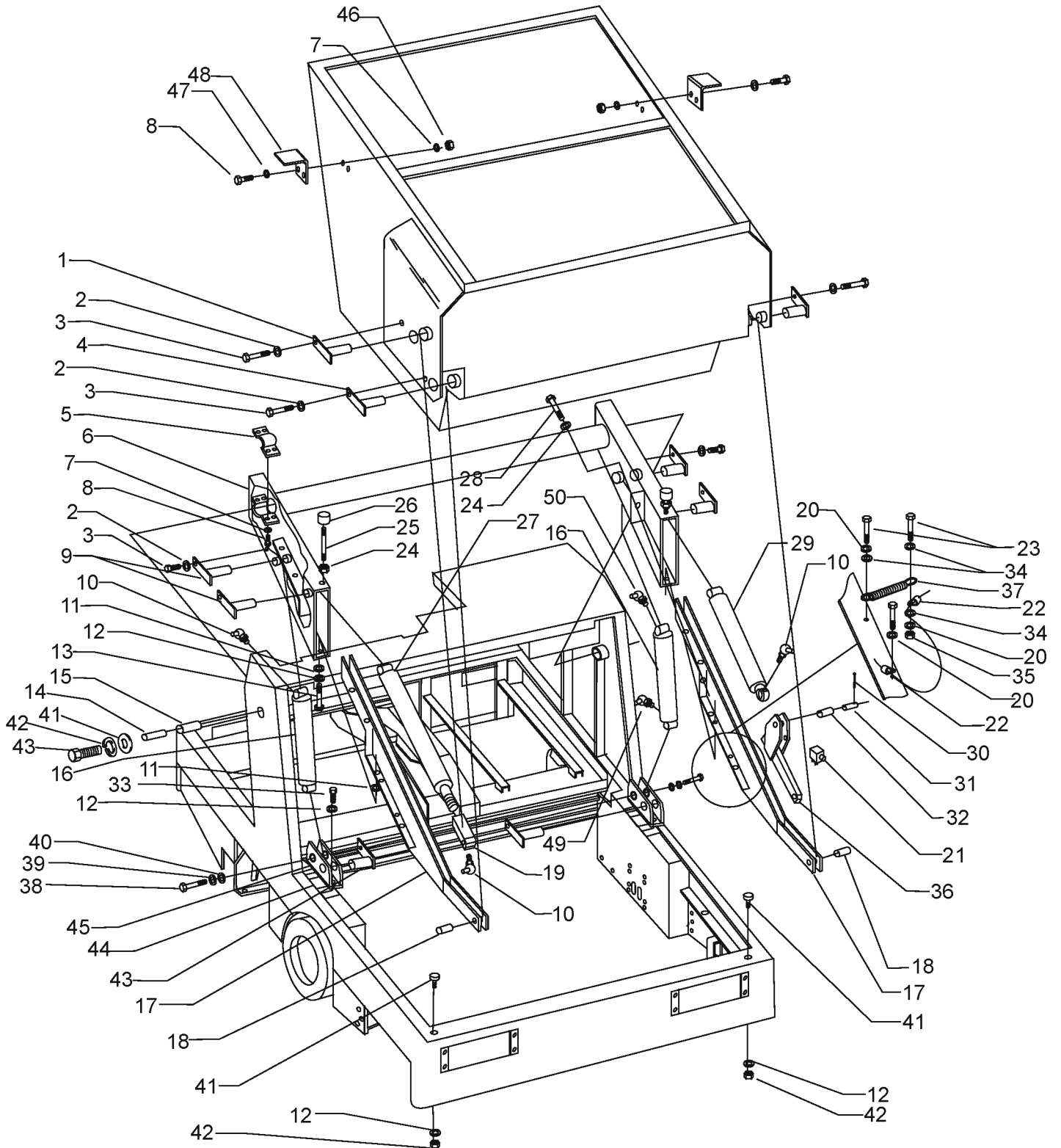
| Item | Ref. No. | Qty | Description | Item | Ref. No. | Qty | Description |
|------|------------|-----|-------------------------------|------|------------|-----|-----------------------------------|
| 1 | 8-13-07084 | 6 | Clamp Flap Hopper Bottom | 13 | 2-00-00530 | 12 | 5/16" Lock Washer |
| 2 | 56002098 | 3 | Wsh, Fit Sae 1/4 | 14 | 56516771 | 1 | Cover Weldment, Upper |
| 3 | 56002836 | 6 | Nut, Hex Nyl Loc Ss 10-24 | 15 | 56516761 | 1 | Cover, Weldment |
| 4 | 56002922 | 10 | Scr,Hex Hd Loc 1/4-20x.62 | 16 | 8-25-08179 | 1 | Flap Hopper Upper |
| 5 | 56109460 | 6 | Flap Hopper | 17 | 56516760 | 1 | Hopper Weldment |
| 6 | 56516770 | 1 | Weldt Blower Mounting Plate | 18 | 2-00-03778 | 1 | Plug, 1/8 Npt |
| 7 | 56516773 | 2 | Spacer | 19 | 2-00-04794 | 4 | Screw, #10-24 X .63 Bhs |
| 8 | 56516775 | 2 | Clamp, Hopper Side | 20 | 2-00-03061 | 2 | Screw, #10-24 X 1.00 Truss Head |
| 9 | 2-00-04667 | 7 | Scr, Button Soc 3/8-16 X 1.25 | 21 | 2-00-00208 | 12 | Screw, 5/16-18 X .750 Hhc |
| 10 | 3-73-00060 | 2 | Seal Hopper Cover | 22 | 56516767 | 1 | Strap, Primary Deflector Flap |
| 11 | 8-25-08180 | 2 | Flap Hoppe Side | 23 | 2-00-02310 | 7 | Washer-Lock, 3/8", Helical Spring |
| 12 | 8-41-00044 | 2 | Latch | | | | |



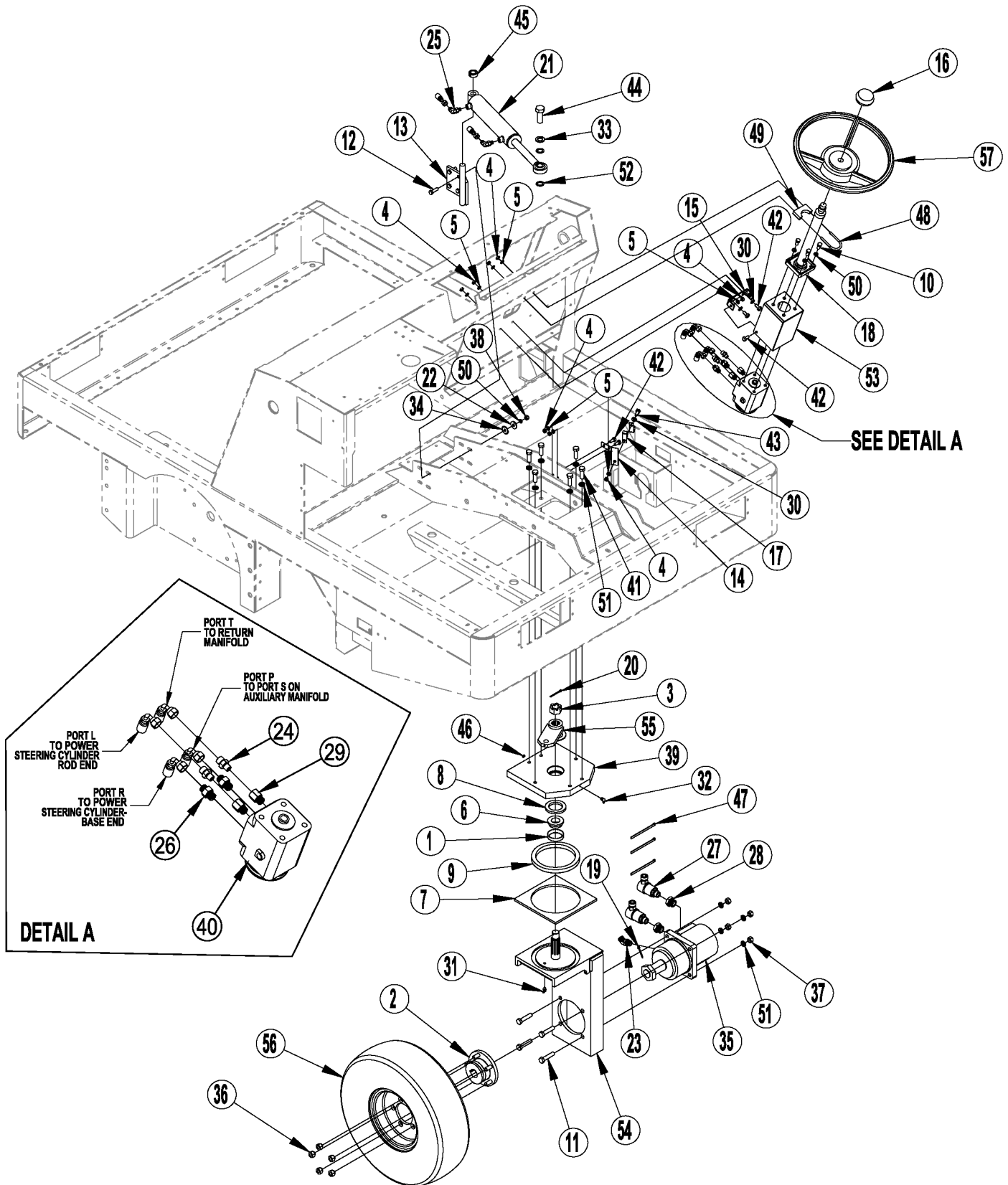
| Item | Ref. No. | Qty | Description | Item | Ref. No. | Qty | Description |
|------|------------|-----|---------------------------------|------|--------------|-----|---------------------------------|
| 1 | 7-13-07096 | 8 | Clamp-Adjustable | 13 | 2-00-04479 | 2 | Connector, 3 Way |
| 2 | 56002155 | 4 | Scr, Hex 1/4-20 X .75 | 14 | 8-09-01082 | 1 | Bushing, Star |
| 3 | 56002701 | 16 | Nut, Hex Nyl Loc 5/16-18 | 15 | 2-00-04210 | 2 | Clamp |
| 4 | 56002708 | 4 | Nut, Hex Nyl Loc 1/4-20 | 16 | 8-09-01083 | 1 | Connector, Bulkhead |
| 5 | 56002929 | 16 | Scr,Hex Hd Loc 5/16-18x.62 | 17 | 8-24-04123-1 | 2 | Filter |
| 6 | 56003073 | 2 | Scr,Hex Hd Loc 5/16-18x1.00 | 18 | 8-25-08228 | 1 | Flap - Hopper Vac Chamber |
| 7 | 56109440 | 2 | Filter Shaker Assembly | 19 | 7-23-03056 | 2 | Nut |
| 8 | 56109450 | 7 | Bracket Filter Clamp Rr | 20 | 2-00-01246 | 2 | Nut-#10-24 Elastic Stop Nut |
| 9 | 56109456 | 1 | Bracket Shaker Weldt | 21 | 2-00-03061 | 1 | Screw, #10-24 X 1.00 Truss Head |
| 10 | 0875-108 | 1 | Wire Assembly Hopper | 22 | 56516777 | 1 | Strap - Hopper Vac Chamber |
| 11 | 0895-090 | 1 | Wire Assembly Shaker Jumper | 23 | 2-00-04345 | 1 | Ty-Rap (Thomas&Betts Ty-28m) |
| 12 | 2-00-03063 | 1 | Screw, #10-24 X .75, Round Head | 24 | 56516776 | 1 | Weldment, Air Guide |



| Item | Ref. No. | Qty | Description |
|------|------------|-----|------------------------------------|
| 1 | 56001939 | 4 | Wsh, Flt Sae 5/16 |
| 2 | 56002015 | 2 | Scr, Soc Set Loc 10-24 X .25 |
| 3 | 56002063 | 2 | Wsh, Flt Sae 3/8 |
| 4 | 56002098 | 4 | Wsh, Flt Sae 1/4 |
| 5 | 56002220 | 2 | Wsh, Flt Std 5/16 |
| 6 | 56002462 | 4 | Scr, Pan Phil 1/4-20 X .38 |
| 7 | 56002708 | 4 | Nut, Hex Nyl Loc 1/4-20 |
| 8 | 56002769 | 2 | Nut, Hex Nyl Loc 3/8-16 |
| 9 | 56003073 | 4 | Scr,Hex Hd Loc 5/16-18x1.00 |
| 10 | 56003715 | 4 | Scr, Carriage Ss 1/4-20 X .75 |
| 11 | 56003771 | 2 | Scr,Hex Hd Loc 3/8-16x1.75 Grade 8 |
| 12 | 56009003 | 4 | Wsh, Flt .516 X .938 X .075 |
| 13 | 56009265 | 4 | Washer, Wave .531 |
| 14 | 56109441 | 1 | Filter Shaker Wedgt |
| 15 | 56109444 | 1 | Shaker Weldment |
| 16 | 56109446 | 1 | Clamp Filter Shaker Weldt Rr |
| 17 | 56109448 | 1 | Clamp Filter Shaker Weldt |
| 18 | 56109459 | 4 | Knob 3/8-16 Male Thread |
| 19 | 56109462 | 1 | Jumper Shaker Motor |
| 20 | 56109464 | 4 | Bar Lock Knob |
| 21 | 56320595 | 4 | Bushing .32x.50x.28 |
| 22 | 56478246 | 1 | Tie, Cable |
| 23 | 56508664 | 1 | Motor, 12vdc |
| 24 | 56508705 | 1 | Plate Shaker Motor Mtg |
| 25 | 56508737 | 2 | Bearing, Fl .500x.375x.500 |
| 26 | 56508772 | 1 | Eccentric |
| 27 | 56508887 | 2 | Clamp Muffler 3" X 3/8-16 |
| 28 | 2-00-02360 | 2 | Nut, Hex, 3/8-16 |

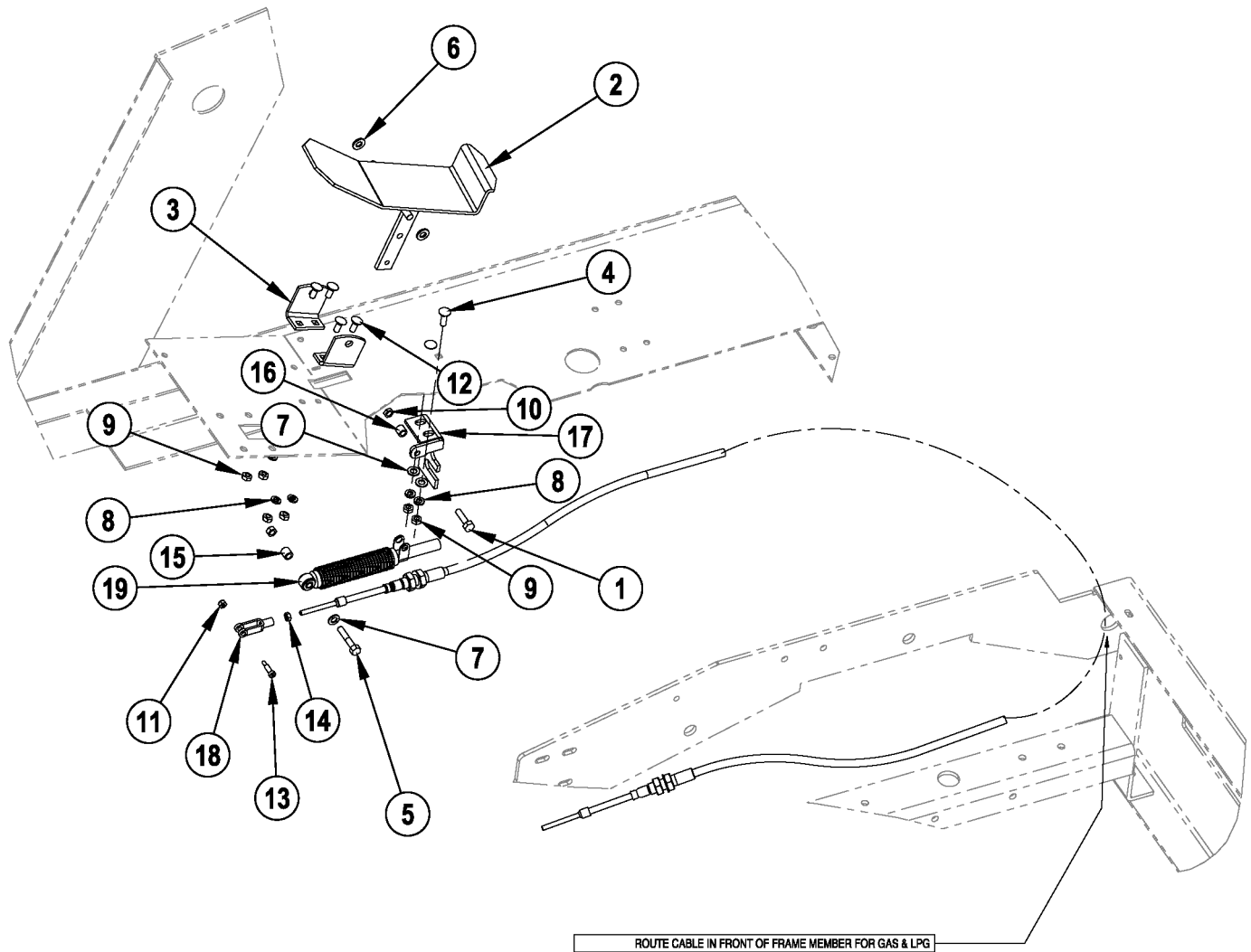


| Item | Ref. No. | Qty | Description |
|------|--------------|-----|--|
| 1 | 56516823 | 1 | Hopper Dump Pin |
| 2 | 2-00-00518 | 7 | Lock Washer, Helical Spring 1/4 Med |
| 3 | 2-00-00221 | 7 | Screw, 1/4 - 20 x .750 HHC |
| 4 | 56516822 | 2 | Hopper Pivot Pin |
| 5 | 8-13-07103 | 2 | Pivot Pin Half Clamp |
| 6 | 56516819 | 1 | Arm Pivot Bracket Assembly |
| 7 | 2-00-02310 | 12 | Lock Washer, Helical Spring 3/8 Med |
| 8 | 2-00-00234 | 8 | Screw, 3/8 - 16 x 1.000 HHC |
| 9 | 56516820 | 4 | Pin (Upper) |
| 10 | 2-00-02558 | 4 | Lubrication Fitting, 45° 1/8 NPT |
| 11 | 2-00-04159 | 8 | Flat Washer, 1.375 x .562 x .109 |
| 12 | 2-00-02312 | 8 | Lock Washer, Helical Spring 1/2 Med |
| 13 | 2-00-01254 | 6 | Screw, 1/2 - 13 x 1.500 HHC |
| 14 | 8-55-08107 | 2 | Pin (Arm Pivot) |
| 15 | 2-00-04893 | 2 | Sleeve Bearing, 2.005 x 1.503 x 2.000 |
| 16 | 8-17-05029 | 2 | Lift Cylinder |
| | 0880-449 | 2 | Seal Kit for Lift Cylinder |
| 17 | 56516816 | 2 | Lower Arm |
| 18 | 2-00-04894 | 2 | Sleeve Bearing, 1.254 x 1.003 x 2.500 |
| 19 | 8-14-01010 | 1 | Clevis, Dump Cylinder |
| 20 | 2-00-00519 | 5 | Lock Washer, Helical Spring #10 Med |
| 21 | 8-82-00050 | 1 | Switch Lift Arm Lockout |
| 22 | 2-00-04378 | 2 | Clip, .281 |
| 23 | 2-00-00056 | 3 | Screw, #10 - 24 x .750 RHM |
| 24 | 2-00-02371 | 2 | Nut, Hex Hvy. Jam 1/2 - 13 x .875 x .296 |
| 25 | 8-80-05014 | 2 | Stud, 1/2-13 UNF-2A |
| 26 | 7-78-05009 | 2 | Stop Pad |
| 27 | 8-17-05028 | 1 | Dump Cylinder |
| | 0880-505 | 1 | Seal Kit for Dump Cylinder |
| 28 | 2-00-04967 | 4 | Screw, 1/2 - 13 x 2.500 HHM |
| 29 | 8-17-05030 | 1 | Rotation Cylinder |
| | 0880-450 | 1 | Seal Kit for Rotation Cylinder |
| 30 | 2-00-02436 | 1 | Cotter Pin, .187 x 1.750 |
| 31 | 8-55-08103 | 1 | Hopper Rotate Pin |
| 32 | 8-06-01083 | 1 | Bushing, |
| 33 | 2-00-00240 | 4 | Screw, 1/4 - 13 x 1.250 HHC |
| 34 | 2-00-00426 | 3 | Flat Washer, .500 x .218 x .062 |
| 35 | 2-00-00605 | 1 | Nut, Hex MS #10 - 24 x .375 x .125 |
| 36 | 56516817 | 1 | Rotate Cylinder Bracket |
| 37 | 7-76-00050-1 | 1 | Spring |
| 38 | 2-00-00213 | 2 | Screw, 5/16 - 18 x .625 HHC |
| 39 | 2-00-00530 | 2 | Lock Washer, Helical Spring 5/16 Med |
| 40 | 2-00-00409 | 2 | Flat Washer, .687 x .343 x .062 |
| 41 | 8-50-05054 | 2 | Rubber Pad |
| 42 | 2-00-00596 | 2 | Nut, Hex 1/2 - 13 |
| 43 | 56516820 | 2 | Pin (Lower) |
| 44 | 8-71-00017 | 1 | Shim |
| 45 | 56516824 | 2 | Adjustable Lift Arm Bracket |
| 46 | 2-95-04689 | 2 | Washer |
| 47 | 2-00-02310 | 2 | Washer, 3/8 Lock |
| 48 | 56516821 | 2 | Bracket, Hopper Stop |

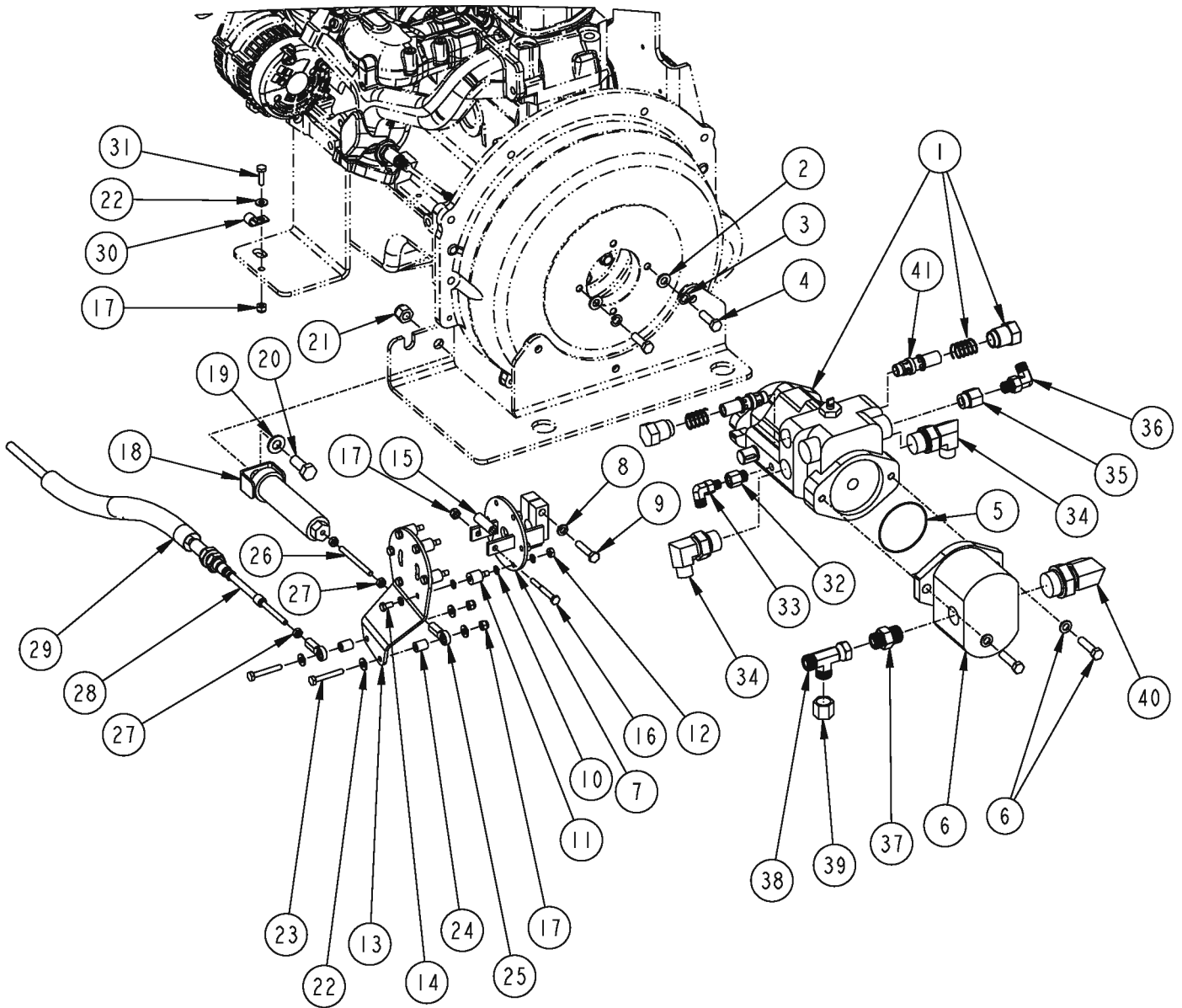


| Item | Ref. No. | Qty | Description | Item | Ref. No. | Qty | Description |
|------|--------------|-----|--|------|------------|-----|-----------------------------------|
| 1 | 2-00-04621 | 1 | Bearing Cup | 31 | 2-00-02558 | 1 | Grease Fitting |
| 2 | 0860-536 | 1 | Hub/Stud Assy - Rear Wheel | 32 | 2-00-02559 | 1 | Grease Fitting- 1/4-28 X 90\$ |
| [] | 8-33-09081 | 1 | Hub Only (Service) | 33 | 2-00-00522 | 1 | Lock Washer |
| [] | 7-80-05056-1 | 5 | Studs (Service) | 34 | 2-00-03829 | 4 | Lock Washer, 3/8 Int./Ext. Tooth |
| 3 | 2-00-05026 | 1 | 1" X 14 Slotted Nut | 35 | 0885-054-1 | 1 | Motor - Hyd. Wheel |
| 4 | 2-00-00585 | 9 | 5/16-18, Hex Nut | | 8-70-00026 | 1 | Key (Service) |
| 5 | 2-00-00530 | 9 | 5/16" Lock Washer | | 0880-237 | | Shaft Seal Kit (Service) |
| 6 | 2-00-02079 | 1 | Bearing Cone W/ Seal | | 0880-238 | | Motor Seal Kit (Service) |
| 7 | 8-68-05097 | 1 | Bearing Seal | 36 | 8-23-03065 | 5 | Nut-Wheel |
| 8 | 8-68-05098 | 1 | Bearing Seal | 37 | 2-00-00596 | 4 | Nut, Hex Head, 1/2-13 X .44 Lg |
| 9 | 2-00-04455 | 1 | Bearing, Thrust | 38 | 2-00-02360 | 4 | Nut, Hex, 3/8-16 |
| 10 | 2-00-00232 | 4 | Bolt-Hex Head, Finished, 3/8-16 | 39 | 8-58-05269 | 1 | Plate, Rear Wheel Pivot |
| 11 | 2-00-00242 | 4 | Bolt, 1/2-13 X 2.00 Long | 40 | 8-60-05023 | 1 | Pump, Power Steering |
| 12 | 2-00-00209 | 4 | Bolt, Hex Head, 3/8-16 X 1 1/4 Ss | 41 | 2-00-01254 | 6 | Screw, Hex, 1/2-13 X 1.50 |
| 13 | 8-08-00727 | 1 | Bracket, Cylinder Pivot | 42 | 2-00-00208 | 6 | Screw, 5/16-18 X .750 Hhc |
| 14 | 8-08-00733 | 1 | Bracket, Cylinder Pivot | 43 | 2-00-02708 | 1 | Screw, Hex Head, 5/16-18 X 1.00" |
| 15 | 8-08-00728 | 1 | Bracket, P/S Unit Mount | 44 | 2-00-05341 | 1 | Screw, Hhc .75-10 X 2.00 Gr5 Zn |
| 16 | 8-11-00022 | 1 | Cap Steering Wheel | 45 | 8-15-01003 | 1 | Set Screw Collar |
| 17 | 2-00-04564 | 2 | Clamp, Cable | 46 | 2-00-00256 | 1 | Set Screw, 1/4-20 X .38 Hs-Kcp |
| 18 | 8-70-05287 | 1 | Column, Steering, Assembly | 47 | 2-00-04345 | 3 | Ty-Rap (Thomas&Betts Ty-28m) |
| 19 | 2-00-00776 | 1 | Cotter Pin (1/8 Dia. X 1-1/2 Lg.) | 48 | 8-13-07085 | 1 | U-Bolt, 1/4-20 |
| 20 | 2-00-04803 | 1 | Cotter Pin (1/8 Dia. X 2 Lg.) | 49 | 8-08-00578 | 1 | W/D, U Bolt Ass'y |
| 21 | 8-17-05029 | 1 | Cylinder | 50 | 2-00-02310 | 8 | Washer-Lock, 3/8", Helical Spring |
| 22 | 2-00-03266 | 4 | Fan Washer | 51 | 2-00-02312 | 10 | Washer, 1/2" Lock |
| 23 | 2-00-04975 | 1 | Fitting-8 Sae 45 Elbow | 52 | 2-00-00432 | 2 | Washer, Flat, 3/4"ld |
| 24 | 2-00-04895 | 2 | Fitting-Straight Connector | 53 | 56516787 | 1 | Weldment - Stg Cntrl Housing |
| 25 | 2-00-04882 | 2 | Fitting, -04 Sae X -04 Orb, Elbow, 90 | 54 | 8-92-00043 | 1 | Weldment-Drive Wheel Yoke |
| 26 | 2-00-04918 | 2 | Fitting, -6 Sae X -4 Ors, Str. | 55 | 56516788 | 1 | Weldment, Steering Arm |
| 27 | 2-00-05358 | 2 | Fitting, -10 Sae X -10 Ors, Swivel | 56 | 8-89-08059 | 1 | Wheel, 21.50 Dia. Pneumatic |
| 28 | 8-03-02036 | 2 | Fitting, -12 Sae X -8 Sae, Reducer Bushing | [] | 8-85-06022 | | Tire Only (Service) |
| 29 | 2-00-04917 | 2 | Fitting, Reducer, -6 Orb - -4 Orb | [] | 8-70-00086 | | Tube (Service) |
| 30 | 2-00-00409 | 3 | Flat Washer, .687 X .344 X .062 | [] | 8-70-00067 | | Flap (Service) |
| | | | | 57 | 7-89-08041 | 1 | Wheel, Steering |

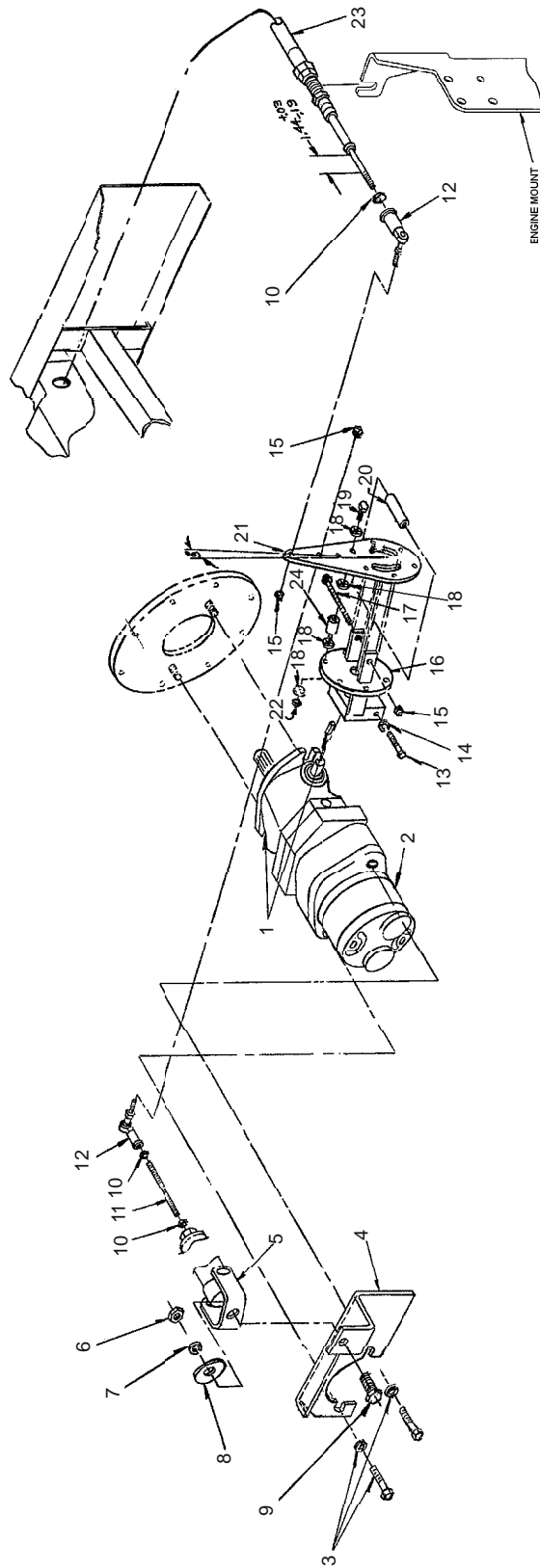
[] = Not Shown



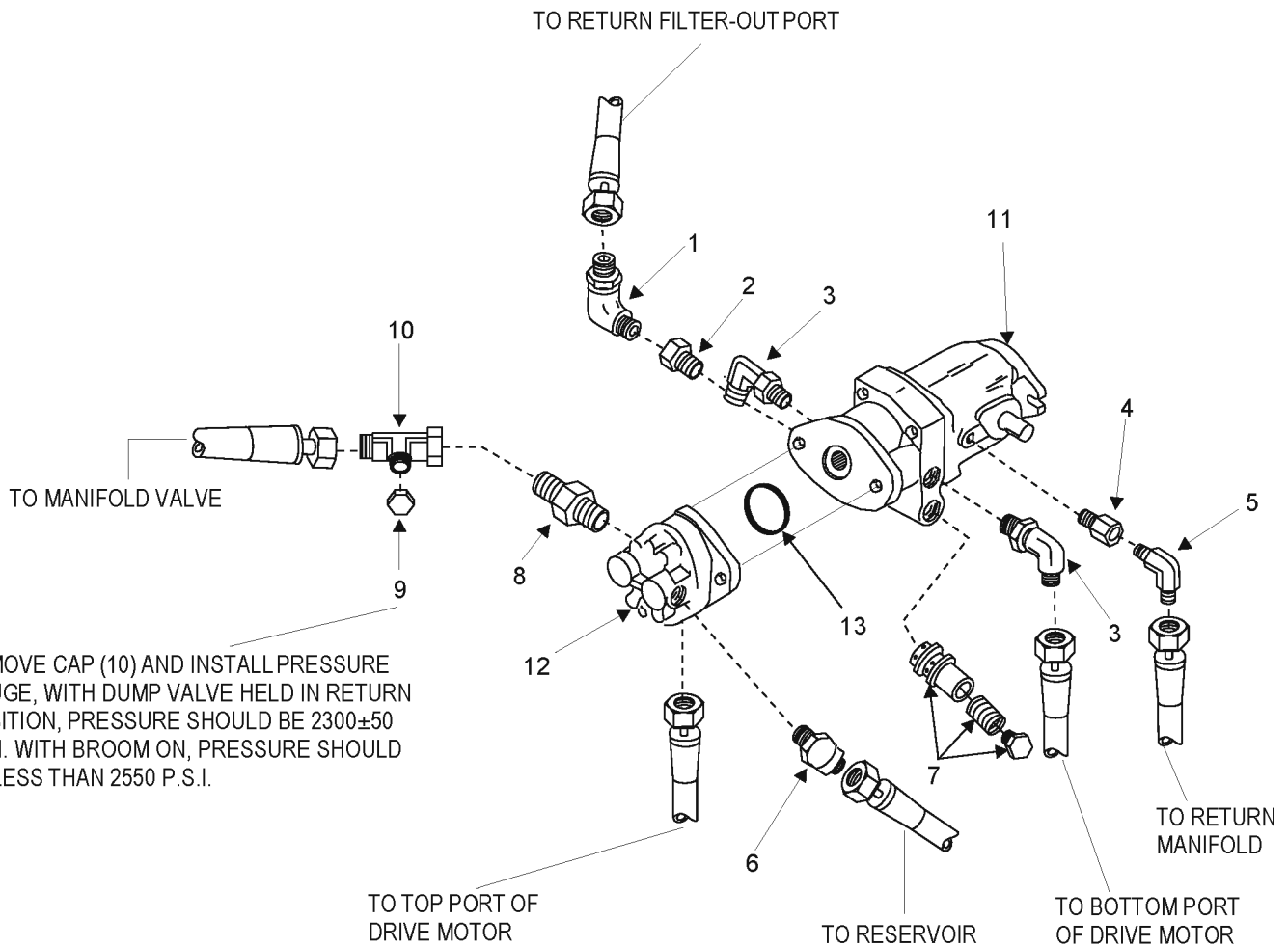
| Item | Ref. No. | Qty | Description |
|------|------------|-----|----------------------------------|
| 1 | 2-00-00207 | 1 | Screw, Hex Head 5/16-18 X 1.25" |
| 2 | 56516833 | 1 | Weldment Fwd/Rev Pedal |
| 3 | 56516834 | 2 | Bracket Fwd/Rev Pedal Pivot |
| 4 | 2-00-00196 | 2 | Bolt-Car, .31-18 X 1 Gr 5 Zn |
| 5 | 2-00-00211 | 1 | Bolt-Hex Head, Finished, 5/16-18 |
| 6 | 2-00-00402 | 2 | Washer, 25/64" Id X 3/4" Od |
| 7 | 2-00-00409 | 3 | Flat Washer, .687 X .344 X .062 |
| 8 | 2-00-00530 | 6 | 5/16" Lock Washer |
| 9 | 2-00-00585 | 6 | 5/16-18, Hex Nut |
| 10 | 2-00-00644 | 2 | Nut, Hex, Insert Fiber, 5/16-18 |
| 11 | 2-00-01246 | 1 | Nut-#10-24 Elastic Stop Nut |
| 12 | 2-00-03569 | 4 | Bolt, Carriage |
| 13 | 2-00-04563 | 1 | Shoulder Screw 1/4" X 5/8" |
| 14 | 2-95-01999 | 1 | Nut- 1/4-28 Hex Jam |
| 15 | 7-75-01130 | 1 | Spacer |
| 16 | 7-75-01209 | 1 | Spacer |
| 17 | 8-08-00898 | 1 | Bracket-Fwd/Rev/Damper |
| 18 | 8-14-01006 | 1 | Clevis |
| 19 | 8-17-05035 | 1 | Lever damper Kyb |



| Item | Ref. No. | Qty | Description |
|------|--------------|-----|--------------------------------------|
| 1 | 8-60-05006-2 | 1 | Drive Pump |
| 2 | 2-00-00402 | 2 | Flat Washer, .750 x .390 x .093 |
| 3 | 2-00-02310 | 2 | Lock Washer, Helical Spring 3/8 Med |
| 4 | 2-00-00209 | 2 | Bolt, 3/8-16 x 1.25 Hex Head |
| 5 | 0880-404 | 1 | Kit, Pump Assembly |
| 6 | 8-60-05022 | 1 | Pump, Auxiliary (1.20 C.I.R.) |
| 7 | 7-03-04105 | 1 | Transmission Arm (Weldment) |
| 8 | 2-00-00530 | 1 | Lock Washer, 5/16 |
| 9 | 2-00-00225 | 1 | Screw, 5/16-18 x 1.50 HHC |
| 10 | 2-00-00501 | 24 | Lock Washer, 1/4 Int. |
| 11 | 7-75-01089 | 6 | Spacer, Sandwich Mount |
| 12 | 2-00-00594 | 6 | Nut, Hex 1/4-20 x .437 x .218 |
| 13 | 7-58-05361 | 1 | Plate, Hydrostat Arm |
| 14 | 2-00-00219 | 6 | Bolt, 1/4-20 x 1/2 Fin. Hex Head |
| 15 | 7-75-01110 | 1 | Spacer, Transmission Arm |
| 16 | 2-00-00246 | 1 | Screw, 1/4-20 x 2.25 HHC |
| 17 | 2-00-00641 | 4 | Nut, 1/4-20 Fiber Insert |
| 18 | 8-16-00025 | 1 | Centering Control |
| 19 | 2-00-00405 | 1 | Flat Washer, 1.062 x .531 x .093 |
| 20 | 2-00-00240 | 1 | Screw, 1/2-13 x 1.25 HHC |
| 21 | 2-00-04936 | 1 | Lock Nut, 1/2-13 Elastic |
| 22 | 2-00-03702 | 5 | Washer, .625 x .281 x .063 |
| 23 | 2-00-01769 | 2 | Screw, 1/4-20 x 1.75 |
| 24 | 7-75-01274 | 2 | Spacer, 1/4" ID x 1/2" OD - 5/8" |
| 25 | 7-25-02111 | 2 | Rod End, 1/4 Female |
| 26 | 7-66-00147 | 1 | Rod, Centering Control Adjustment |
| 27 | 2-95-01999 | 3 | Nut, 1/4-28 Hex Jam |
| 28 | 8-16-00068 | 1 | Cable, Forward/Reverse |
| 29 | 8-34-09038 | 1 | Reflective Sleeve (1" dia. x 14") |
| 30 | 2-00-04602 | 1 | Clamp |
| 31 | 2-00-01490 | 1 | Screw, 1/4-20 x .875 Hex Head |
| 32 | 2-00-04917 | 1 | Fitting, -6 ORB to -4 ORB Reducer |
| 33 | 2-00-04892 | 1 | Fitting, 90° Elbow (O-Ring) |
| 34 | 2-00-04922 | 2 | Fitting, -8 ORS to -10 SAE 90° Elbow |
| 35 | 2-00-04932 | 1 | Fitting, Reducer |
| 36 | 2-00-04926 | 1 | Fitting, 9/16-18 x 9/16-18 Elbow |
| 37 | 2-00-04974 | 1 | Fitting, #8 ORS to #10 SAE Connector |
| 38 | 2-00-04928 | 1 | Fitting, -08 ORFS Run Tee |
| 39 | 2-00-04957 | 1 | Fitting, 8 ORS Cap |
| 40 | 2-00-04920 | 1 | Fitting, 90° Elbow |
| 41 | 8-88-00065 | 2 | Kit, Relief Valve |

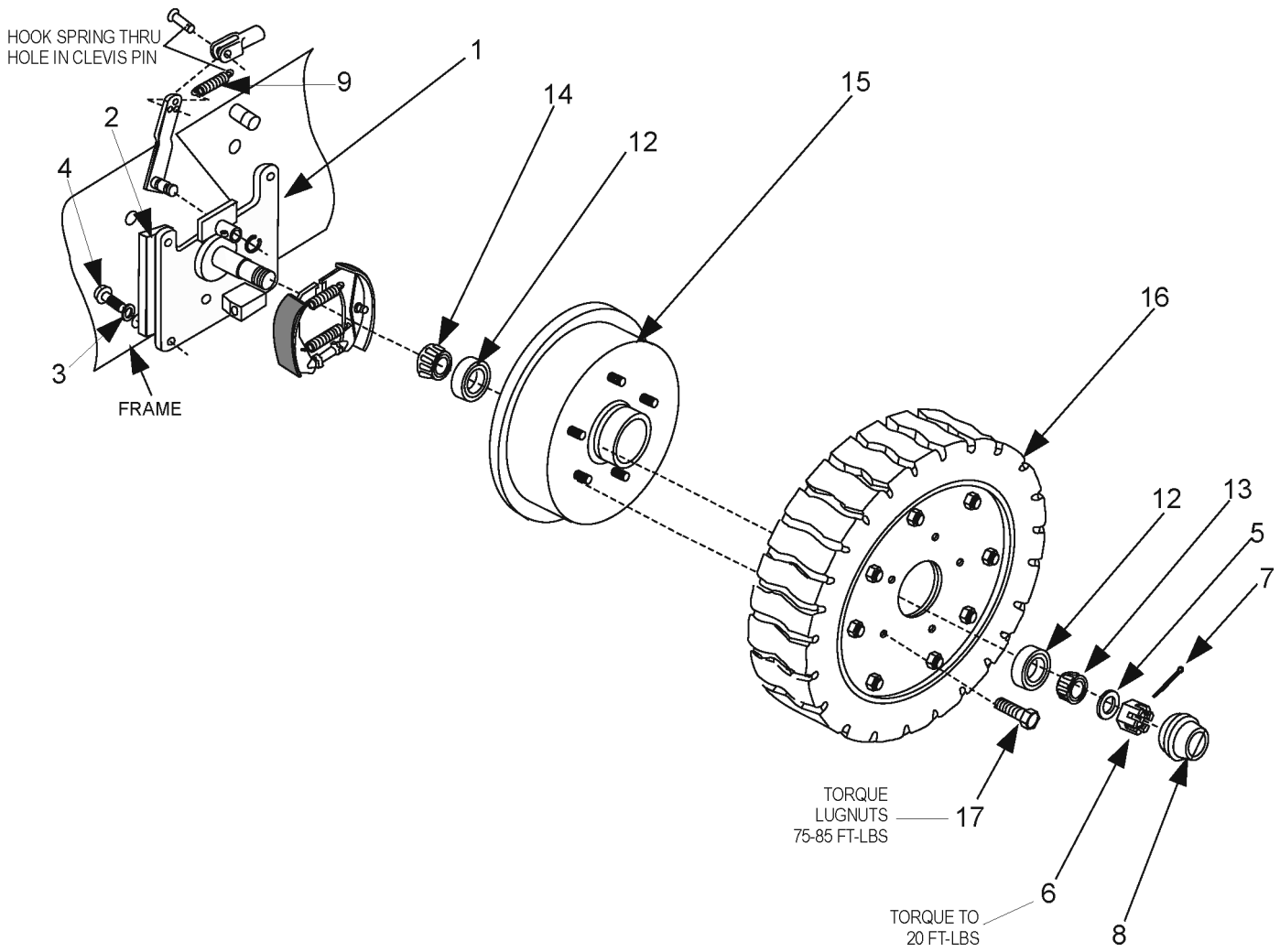


| Item | Ref. No. | Qty | Description |
|------|--------------|-----|----------------------------------|
| 1 | 8-60-05006-2 | 1 | Pump, Piston (1.24 C.I.R.) |
| 2 | 8-60-05022 | 1 | Pump, Auxiliary (1.20 C.I.R.) |
| 3 | 0880-404 | 1 | Kit, Pump Assembly |
| 4 | 56516832 | 1 | Bracket, Hydroback |
| 5 | 8-16-00025 | 1 | Centering Control |
| 6 | 2-00-00596 | 1 | Nut, 1/2-13 Hex |
| 7 | 2-00-02312 | 1 | Lock Washer, 1/2 Helical Spring |
| 8 | 2-00-00405 | 1 | Flat Washer, 1/2 |
| 9 | 2-00-00240 | 1 | Screw, 1/2-13 x 1.25 HHC |
| 10 | 2-95-01999 | 4 | Nut, 1/4-28 Hex Jam |
| 11 | 7-66-00147 | 1 | Rod, 1/4-28 x 3.0 |
| 12 | 7-25-02050 | 2 | Rod End, 1/4-28 |
| 13 | 2-00-00225 | 1 | Screw, 5/16-18 x 1.50 HHC |
| 14 | 2-00-00530 | 1 | Lock Washer, 5/16 Helical Spring |
| 15 | 2-00-00641 | 2 | Nut, 1/4-20 Fiber Insert Hex |
| 16 | 7-03-04105 | 1 | Transmission Arm (Weldment) |
| 17 | 2-00-01246 | 1 | Nut, #10-24 Fiber Insert Hex |
| 18 | 2-00-00501 | 24 | Lock Washer, 1/4 Int. |
| 19 | 2-00-00219 | 6 | Screw, 1/4-20 x 1/2 HHC |
| 20 | 7-75-01110 | 1 | Spacer, Transmission Arm |
| 21 | 7-58-05220 | 1 | Plate, Transmission Arm |
| 22 | 2-00-00594 | 6 | Nut, 1/4-20 Hex |
| 23 | 8-16-00045 | 1 | Cable, Forward/Reverse |
| 24 | 7-75-01089 | 6 | Isolator |



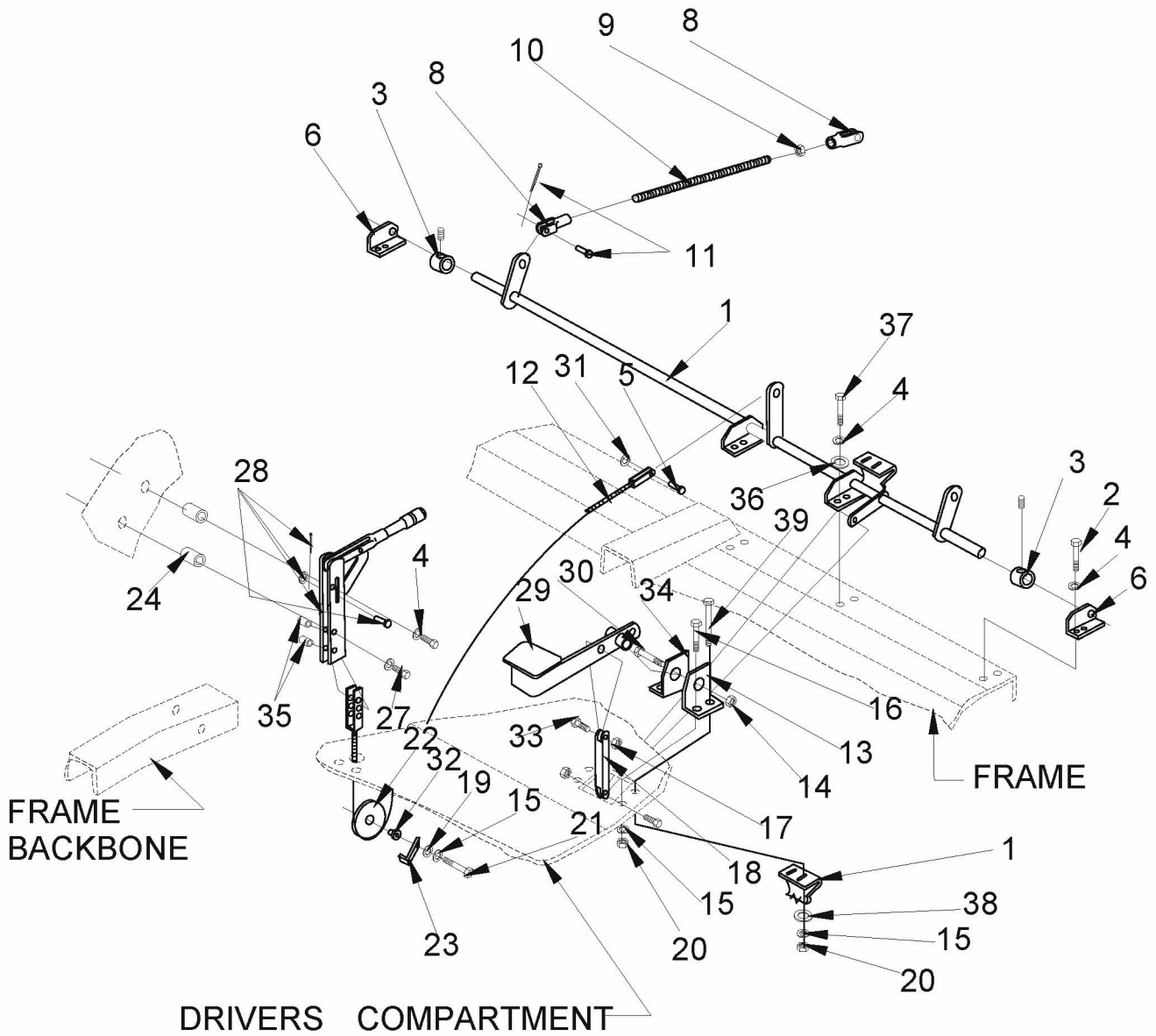
REMOVE CAP (10) AND INSTALL PRESSURE GAUGE, WITH DUMP VALVE HELD IN RETURN POSITION, PRESSURE SHOULD BE 2300 ± 50 P.S.I. WITH BROOM ON, PRESSURE SHOULD BE LESS THAN 2550 P.S.I.

| Item | Ref. No. | Qty | Description |
|------|--------------|-----|---------------------------------------|
| 1 | 2-00-04926 | 1 | ORFS 90° Elbow 9/16-18 |
| 2 | 2-00-04932 | 1 | ORFS Boss Reducer, 3/4-16 x 9/16-18 |
| 3 | 2-00-04922 | 2 | ORFS 90° Elbow, 1 1/16-12 to 13/16-16 |
| 4 | 2-00-04917 | 1 | ORFS Boss Reducer, 9/16-18 to 7/16-20 |
| 5 | 2-00-04892 | 1 | Fitting, 90° Elbow |
| 6 | 2-00-04920 | 1 | Fitting, 90° Elbow |
| 7 | 8-88-00065 | 2 | Relief Valve Kit |
| 8 | 2-00-04974 | 1 | Fitting Straight |
| 9 | 2-00-04957 | 1 | Fitting Cap |
| 10 | 2-00-04928 | 1 | Fitting Tee |
| 11 | 8-60-05006-2 | 1 | Main Pump |
| 12 | 8-60-05022 | 1 | Auxiliary Pump |
| 13 | 0880-404 | 1 | Kit, Pump Assembly |

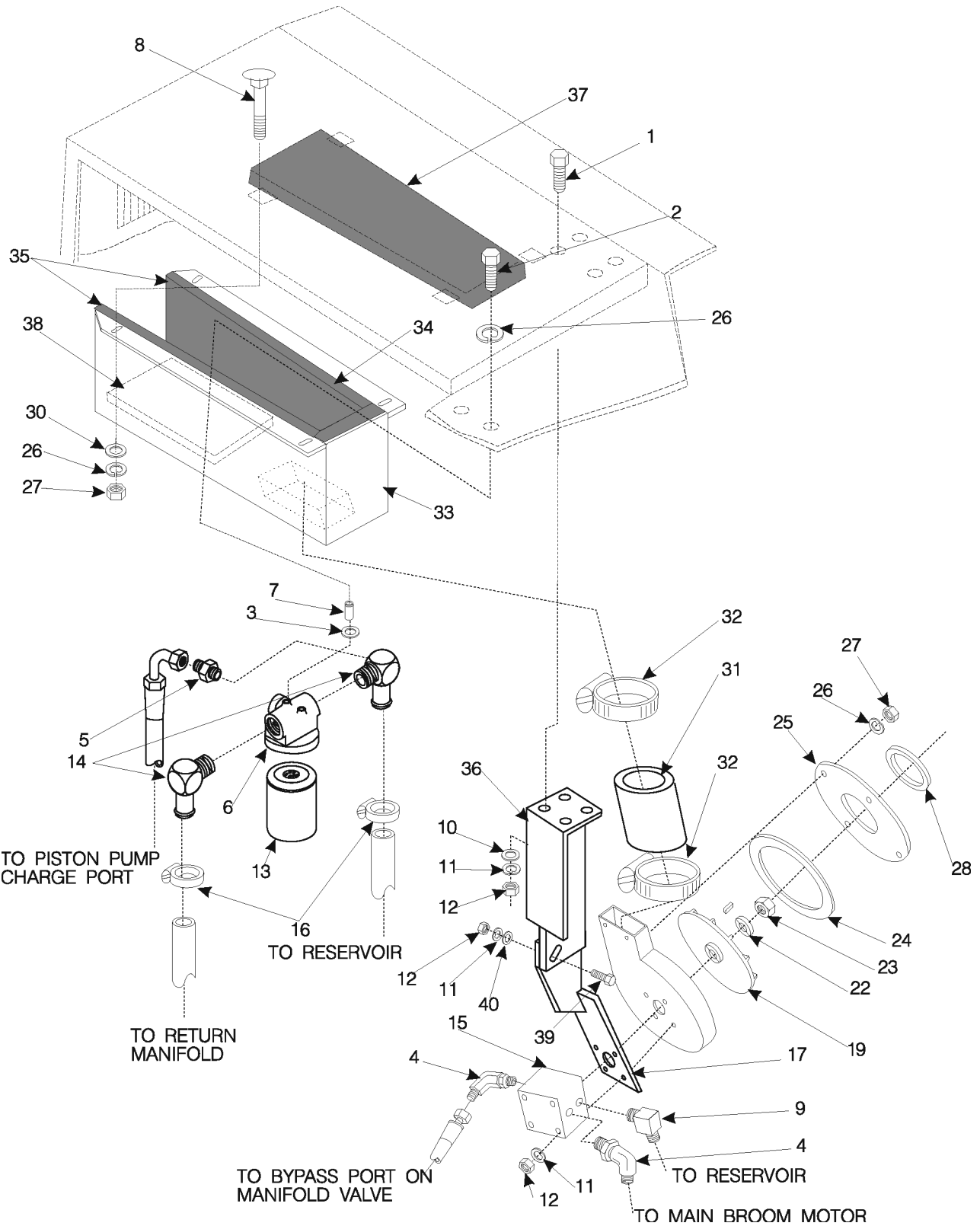


| Item | Ref. No. | Qty | Description |
|------|------------|-----|------------------------------|
| 1 | 0860-703 | 2 | Axle, Front Wheel |
| 2 | 8-75-01216 | 4 | Spacer |
| 3 | 2-00-00504 | 8 | Lockwasher, 1/2 Int. Tooth |
| 4 | 2-00-02693 | 8 | Screw, 1/2-20 x 2.0 SHCS |
| 5 | 2-00-05024 | 2 | Thrust Washer |
| 6 | 2-00-05026 | 2 | Nut, Axle |
| 7 | 2-00-02436 | 2 | Cotter Pin |
| 8 | 8-11-00030 | 2 | Cap, Front Axle |
| 9 | 8-76-00042 | 2 | Spring |
| 12 | 2-00-04621 | 4 | Bearing Cup |
| 13 | 2-00-04622 | 2 | Bearing Cone |
| 14 | 2-00-02079 | 2 | Bearing Cone (sealed) |
| 15 | 8-33-09089 | 2 | Hub, Front Wheel |
| 16 | 8-89-08054 | 2 | Front Wheel Assy. |
| * | 8-85-06022 | | Tire, Pneumatic 6 x 9 |
| * | 8-70-00067 | | Flap |
| * | 8-70-00086 | | Tube |
| * | 8-65-05016 | | Rim Assembly, 6 x 9 x 4 |
| 17 | 8-80-05035 | 10 | Stud, 1/2 -20 w/Tapered Head |

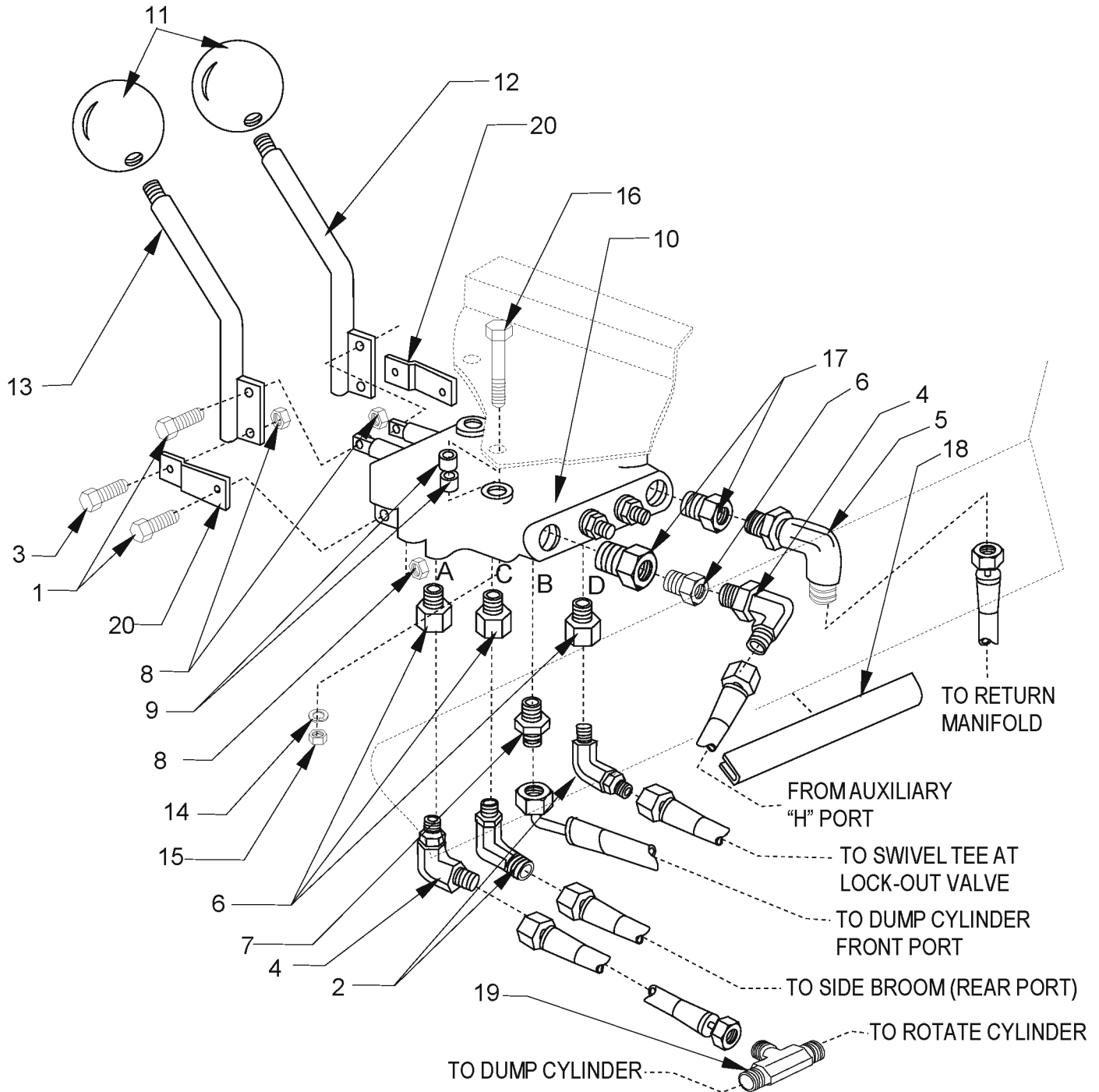
* Service Parts



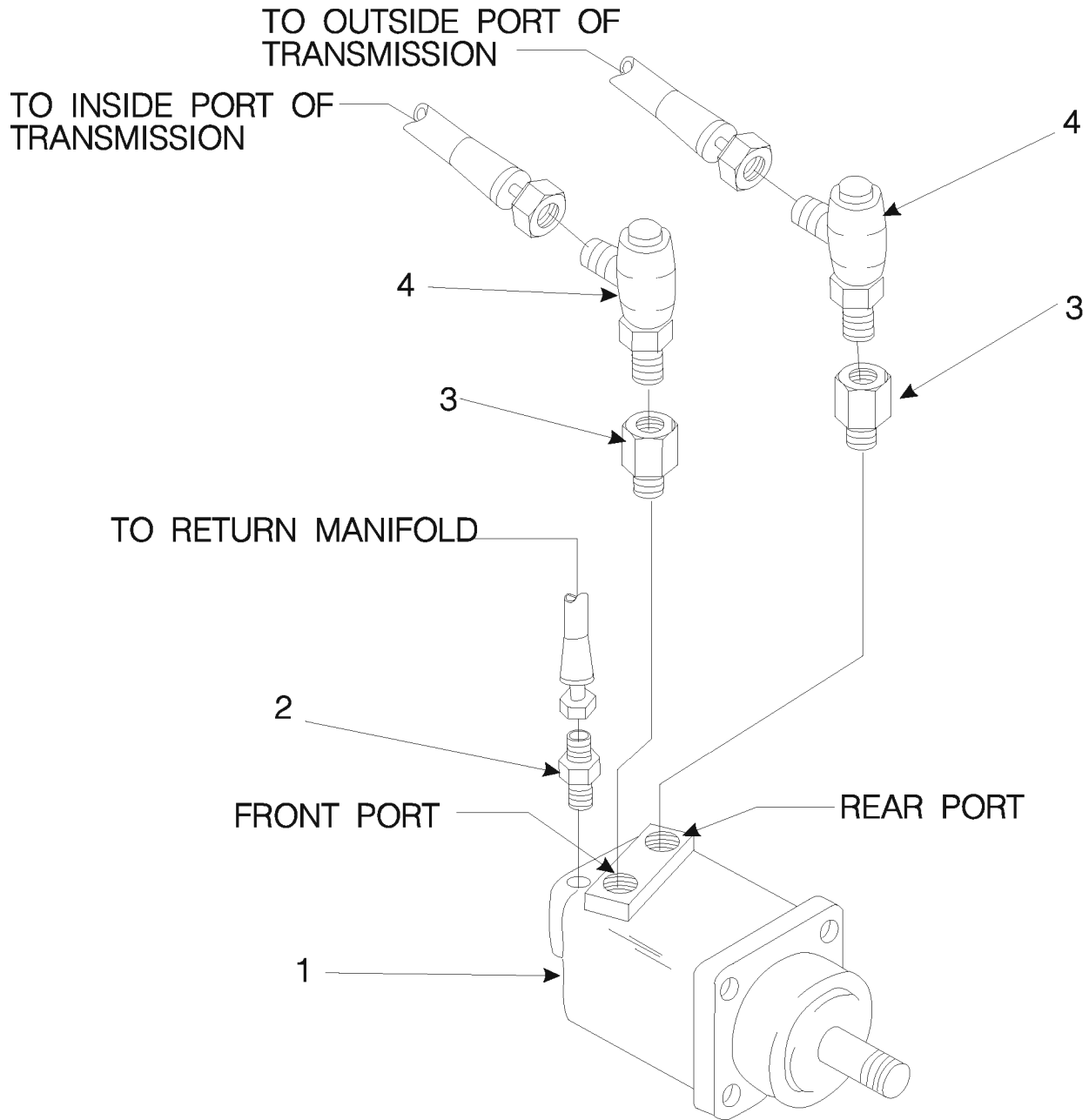
| Item | Ref. No. | Qty | Description |
|------|------------|-----|--|
| 1 | 8-70-05288 | 1 | Shaft, Brake Pedal Pivot |
| 2 | 2-00-00213 | 8 | Screw, 5/16-18 x .625 HHC |
| 3 | 8-15-01003 | 2 | Setscrew Collar, 1.125 x .750 x .562 |
| 4 | 2-00-00530 | 10 | Lock Washer, Helical Spring 5/16 Med |
| 5 | 2-00-00206 | 1 | Screw, 5/16-18 x 3/4 HHC |
| 6 | 8-08-00571 | 2 | Pivot Shaft Bracket |
| 7 | 2-00-00518 | 1 | Lock Washer, 1/4 Helical Spring |
| 8 | 8-14-01006 | 4 | Clevis |
| 9 | 2-95-01999 | 2 | Nut, 1/4-28 x .437 x .156 Hex Jam |
| 10 | 8-66-00154 | 2 | Pull Rod |
| 11 | 2-00-04909 | 4 | Yoke Pin Assembly |
| 12 | 8-10-00032 | 1 | Parking Cable |
| 13 | 56516799 | 1 | Bracket, RH Brake Pedal |
| 14 | 2-00-04936 | 1 | Nut, 1/2-13 Fiber Insert Hex |
| 15 | 2-00-02310 | 5 | Lock Washer, 3/8 Helical Spring |
| 16 | 2-00-00232 | 2 | Screw, 3/8-16 x 3/4 HHC |
| 17 | 2-95-04182 | 2 | Nut, 3/8-16 Fiber Insert Hex |
| 18 | 56516797 | 1 | Brake Linkage Weldment |
| 19 | 2-00-00402 | 1 | Flat Washer, .750 x .390 x .093 |
| 20 | 2-00-02360 | 4 | Nut, 3/8-16 x .562 x .328 Hex |
| 21 | 2-00-00234 | 1 | Screw, 3/8-16 x 1.50 HHC |
| 22 | 8-60-00140 | 1 | Pulley |
| 23 | 56516798 | 1 | Bracket, Pulley |
| 24 | 8-75-01184 | 2 | Spacer, Lever Mounting |
| 27 | 2-00-00228 | 2 | Screw, 5/16-18 x 2.50 HHC |
| 28 | 7-41-05083 | 1 | Lever, Parking Brake |
| 29 | 56516796 | 1 | Pedal, Brake |
| 30 | 2-00-02682 | 1 | Screw, 1/2-13 x 2.75 HHC |
| 31 | 2-00-00644 | 1 | Nut, 5/16-18 Fiber Lock |
| 32 | 8-09-01065 | 1 | Bushing, Pulley |
| 33 | 2-00-00233 | 2 | Screw, 3/8-16 x 1.0 HHC |
| 34 | 56516800 | 1 | Bracket, LH Brake Pedal |
| 35 | 7-75-01126 | 2 | Spacer, .500 x .327 x .780 (Part of #28) |
| 36 | 2-00-00409 | 2 | Flat Washer, .687 x .343 x .0625 |
| 37 | 2-00-01255 | 2 | Screw, 5/16-18 x .875 HHC |
| 38 | 2-00-04801 | 2 | Flat Washer, .875 x .390 x .093 |
| 39 | 2-00-00209 | | Screw, 3/8-16 x 1.25 HHC |



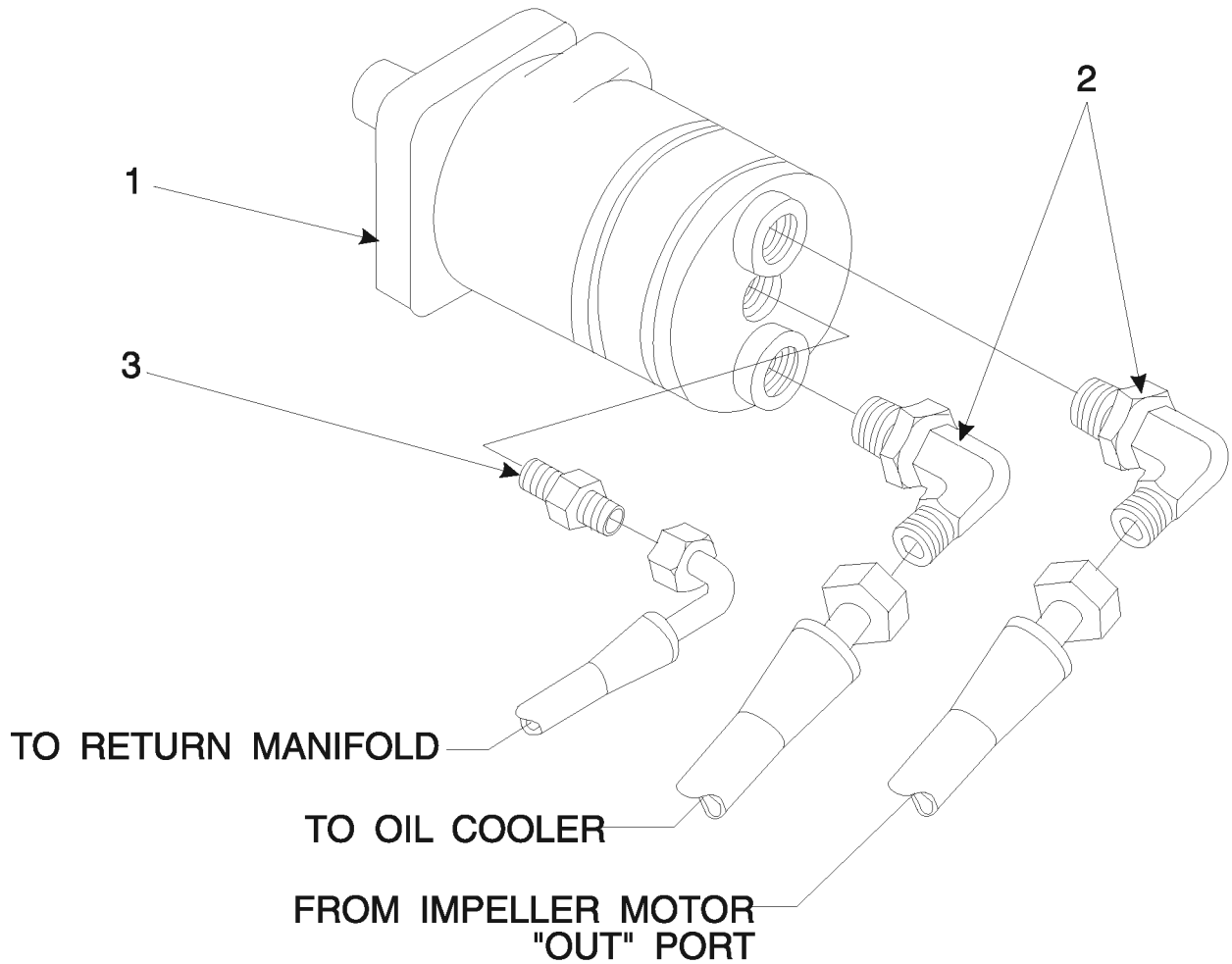
| Item | Ref. No. | Qty | Description |
|------|------------|-----|---------------------------------------|
| 1 | 2-00-02708 | 4 | Screw, 5/16-18 x 1.0 HHM |
| 2 | 8-56-05077 | 1 | Fitting, Special 90° Elbow |
| 3 | 2-00-01676 | 2 | Flat Washer, 1.062 x .265 x .062 |
| 4 | 2-00-04885 | 1 | Fitting, ORFS 90° Elbow, (Modified) |
| 5 | 2-00-04997 | 1 | Fitting, ORFS 1/4 NPT - #4 ORS |
| 6 | 8-24-04133 | 1 | Return Filter |
| 7 | 8-75-01181 | 2 | Spacer |
| 8 | 2-00-03575 | 4 | Carriage Bolt, 1/4-20 x .750 |
| 9 | 2-00-04976 | 1 | Fitting |
| 10 | 2-00-00409 | 10 | Flat Washer, .687 x .343 x .062 |
| 11 | 2-00-00530 | 10 | Lock Washer, Helical Spring 5/16 Med |
| 12 | 2-00-00585 | 10 | Nut, 5/16-18 x .50 x .265 Hex |
| 13 | 8-24-04118 | 1 | Replacement Filter Element |
| 14 | 2-00-05133 | 4 | Elbow |
| 15 | 0882-041 | 1 | Hydraulic Motor |
| | 7-70-00020 | 1 | Seal Kit for Hydraulic Motor 0882-041 |
| | 2-00-02227 | 1 | Key, .125 x .750 SQ |
| 16 | 2-00-02220 | 2 | Clamp, Hose |
| 17 | 56516801 | 1 | Bracket, Lower Impeller |
| 18 | 56516803 | 1 | Shroud, Impeller |
| 19 | 8-23-00012 | 1 | Impeller |
| 20 | 2-00-00252 | 4 | Screw, 5/16-18 x 4.0 HHC |
| 22 | 2-00-00484 | 1 | Flat Washer, .625 x .375 x .046 |
| 23 | 2-00-00632 | 1 | Nut, 3/8-24 Fiber Insert Hex |
| 24 | 8-29-00111 | 1 | Gasket, Shroud |
| 25 | 56516802 | 1 | Duct, Blower Throat |
| 26 | 2-00-00518 | 9 | Lock Washer, 1/4 Helical Spring |
| 27 | 2-00-00594 | 8 | Nut, 1/4-20 x .437 x .218 Hex |
| 28 | 8-29-00183 | 1 | Gasket |
| 30 | 2-00-03702 | 11 | Flat Washer, .625 x .281 x .062 |
| 31 | 8-33-02271 | 1 | Hose, Blower Exhaust |
| 32 | 2-00-03454 | 2 | Band Clamp 5 1/8-6 |
| 33 | 56516805 | 1 | Duct, Blower Exhaust Box |
| 34 | 8-34-09009 | 1 | Insulation, Side |
| 35 | 8-34-09007 | 2 | Insulation, Front |
| 36 | 56516804 | 1 | Bracket, Upper Impeller |
| 37 | 8-34-09006 | 1 | Insulation, Blower Box (Top) |
| 38 | 8-34-09005 | 1 | Insulation, Blower Box (Bottom) |
| 39 | 2-00-00196 | 2 | Carriage Bolt, 5/16-18 x 1.0 |
| 40 | 2-00-01803 | 2 | Flat Washer, 5/16 |



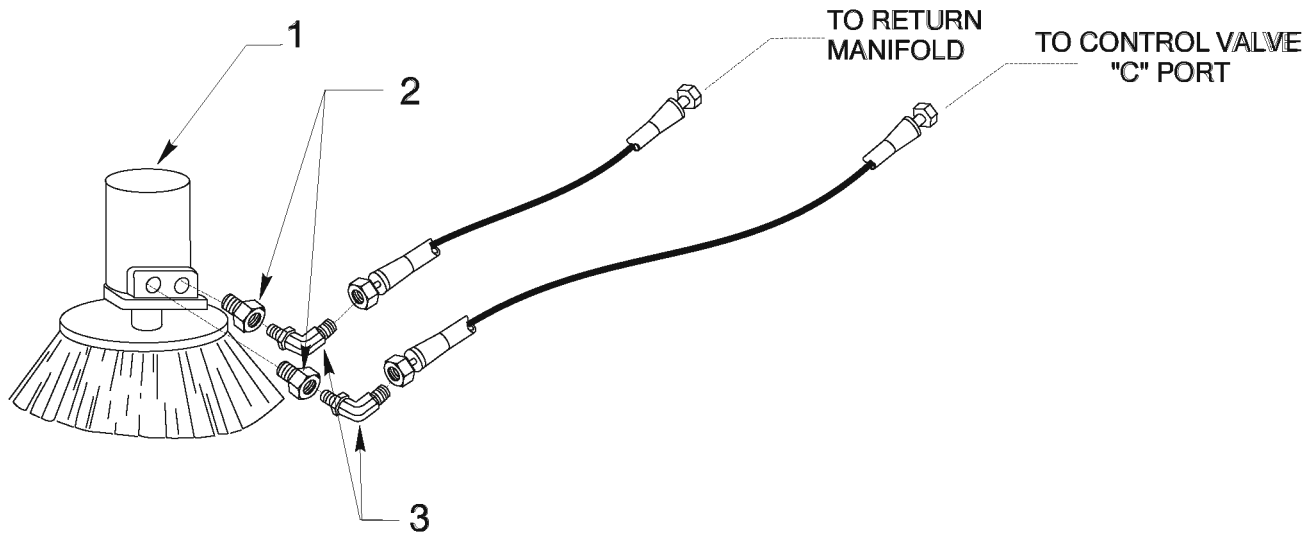
| Item | Ref. No. | Qty | Description |
|------|------------|-----|-------------------------------------|
| 1 | 2-00-04795 | 4 | Screw, #10-24 x .750 BLTS |
| 2 | 2-00-04976 | 2 | 45° Elbow, #4 SAE to #4 ORS |
| 3 | 2-00-05162 | 1 | Swivel Tee, #4 ORS |
| 4 | 2-00-04892 | 2 | ORFS 90° Elbow, #4 SAE to #4 ORS |
| 5 | 2-00-04926 | 1 | 90° Elbow, #6 SAE to #4 ORS |
| 6 | 2-00-04917 | 5 | ORFS Boss Reducer, #6 SAE to #4 SAE |
| 7 | 2-00-04918 | 2 | ORFS Connector, #6 SAE to #4 ORS |
| 8 | 2-00-01246 | 6 | Nut, Hex Fiber Insert #10-24 |
| 9 | 8-15-01008 | 4 | Spacer |
| 10 | 8-88-00058 | 1 | Hopper Control Valve |
| 11 | 8-39-00002 | 2 | Valve Lever Knob |
| 12 | 8-41-05066 | 1 | Control Valve Lever (L.H.) |
| 13 | 8-41-05068 | 1 | Control Valve Lever (R.H.) |
| 14 | 2-00-00518 | 2 | Lock Washer, Helical Spring 1/4 Med |
| 15 | 2-00-00594 | 2 | Nut, Hex 1/4 - 20 x .437 x .218 |
| 16 | 2-00-01980 | 2 | Screw, 1/4-20 x 2.500 HHC |
| 17 | 2-00-04932 | 2 | Reducer, #8 SAE - #6 SAE |
| 18 | 7-21-04031 | 1 | Edging |
| 19 | 2-00-04930 | 1 | Fitting, Tee |
| 20 | 8-41-05067 | 2 | Linkage |



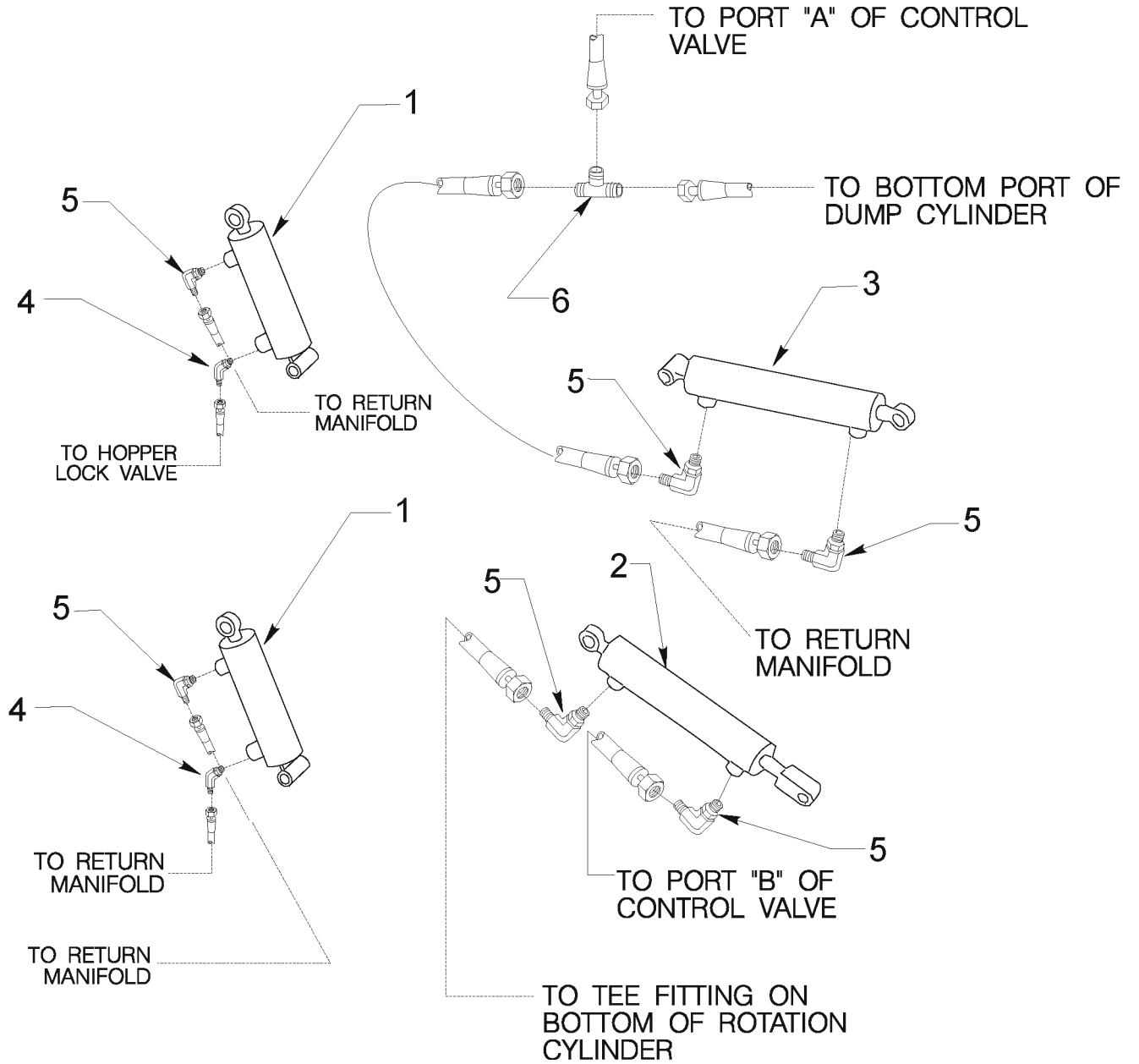
| Item | Ref. No. | Qty | Description |
|------|------------|-----|-----------------|
| 1 | 0885-054-1 | 1 | Hydraulic Motor |
| NS | 0880-238 | 1 | Motor Seal Kit |
| NS | 0880-237 | 1 | Shaft Seal Kit |
| 2 | 2-00-04976 | 1 | Fitting |
| 3 | 8-03-02036 | 2 | Adapter |
| 4 | 2-00-05358 | 2 | Swivel Fitting |



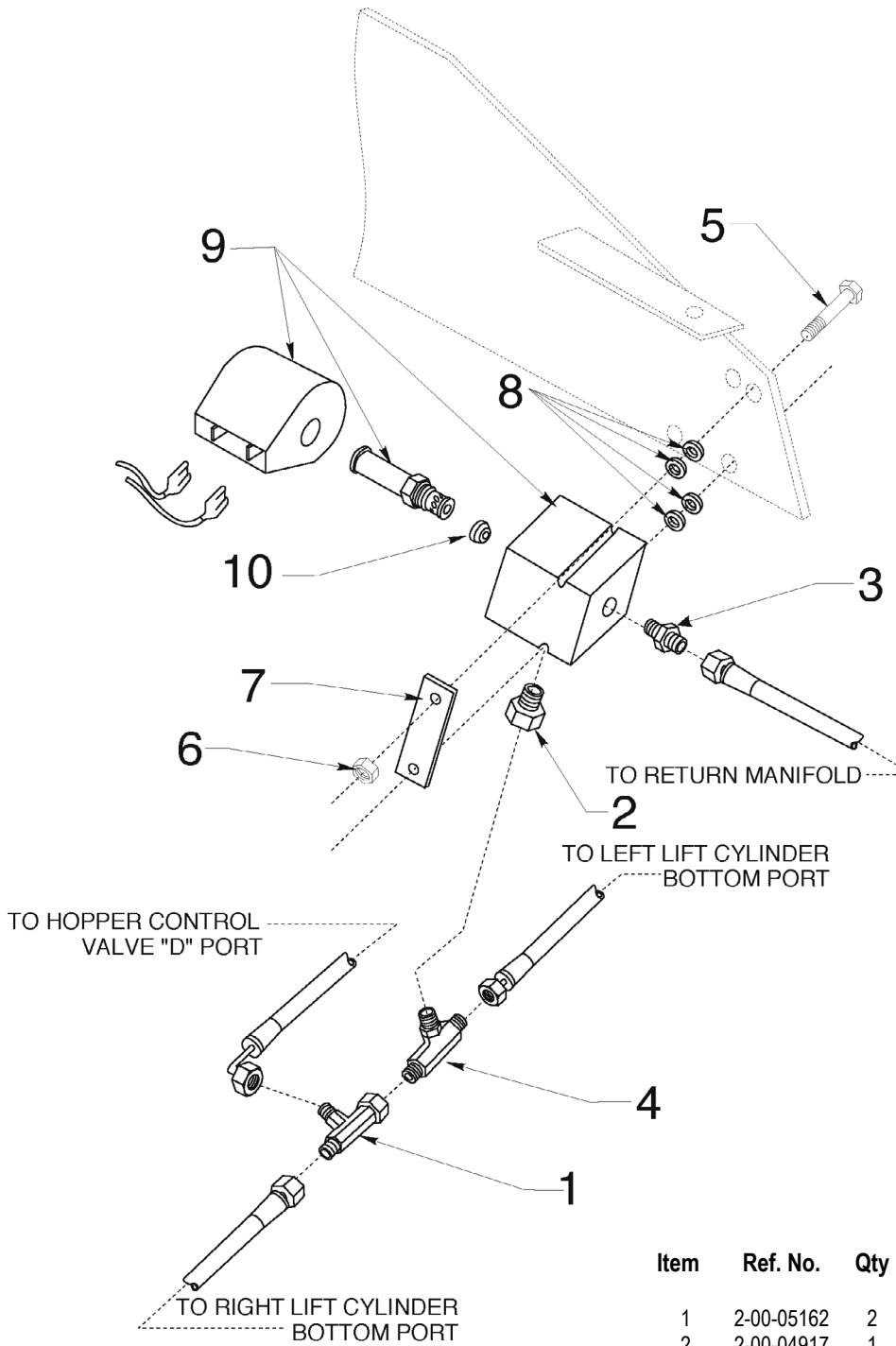
| Item | Ref. No. | Qty | Description |
|------|------------|-----|------------------------------------|
| 1 | 0882-040 | 1 | Hydraulic Motor |
| NS | 56479577 | 1 | Motor Seal Kit |
| 2 | 2-00-04885 | 2 | ORFS 90° Elbow, 3/4-16 to 13/16-16 |
| 3 | 2-00-04895 | 1 | ORFS Connector, 7/16-20 to 9/16-18 |



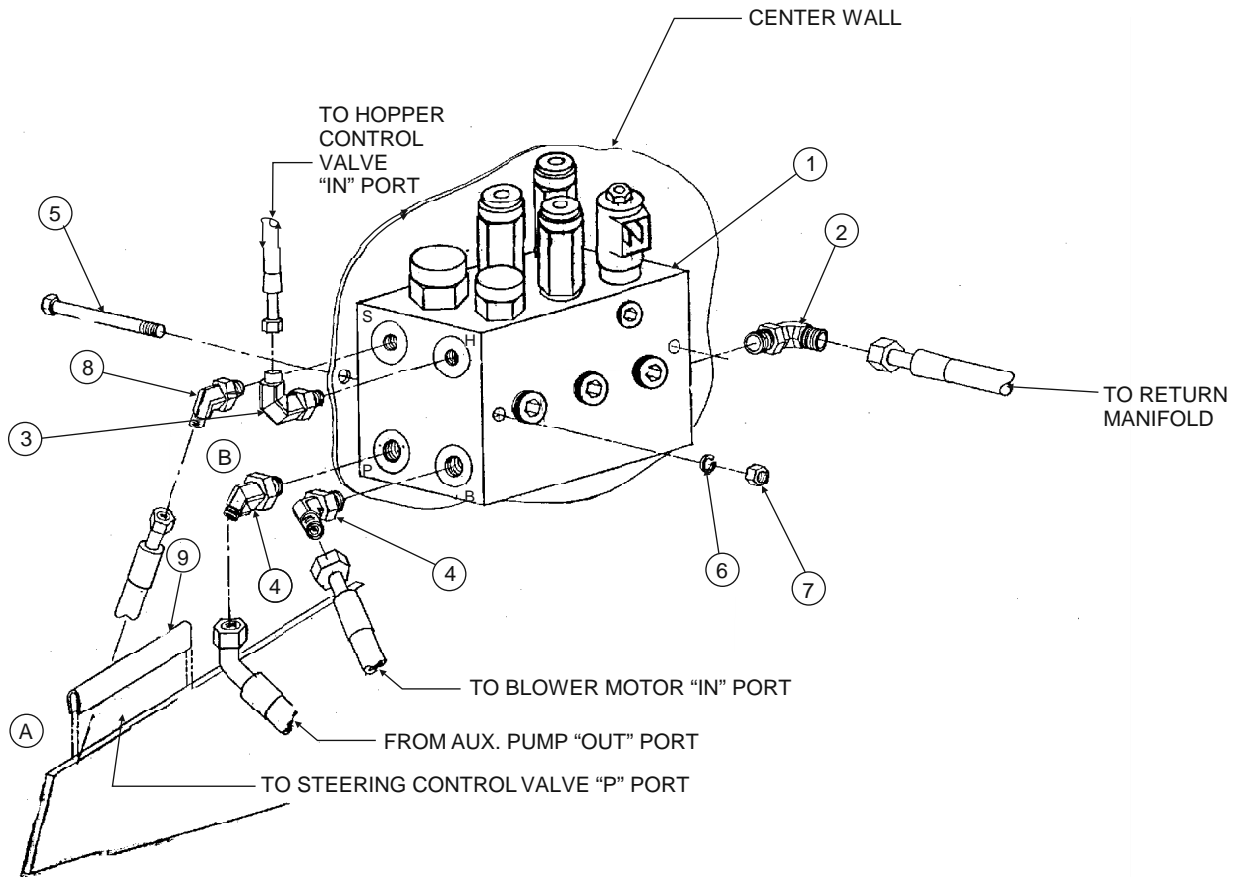
| Item | Ref. No. | Qty | Description |
|------|------------|-----|--------------------------------------|
| 1 | 0882-047 | 1 | Hydraulic Motor |
| NS | 56479577 | 1 | Motor Seal Kit |
| 2 | 2-00-04915 | 2 | ORFS Boss Reducer, 7/8-14 to 9/16-18 |
| 3 | 2-00-04926 | 4 | ORFS 90° Elbow, 9/16-18 |
| 4 | 0891-008 | 1 | Side Broom Shut-Off Valve |
| 5 | 2-00-04940 | 2 | ORFS Swivel Nut Branch Tee, #4 ORS |
| 6 | 7-12-02015 | 1 | Cartridge for Shut-Off Valve |



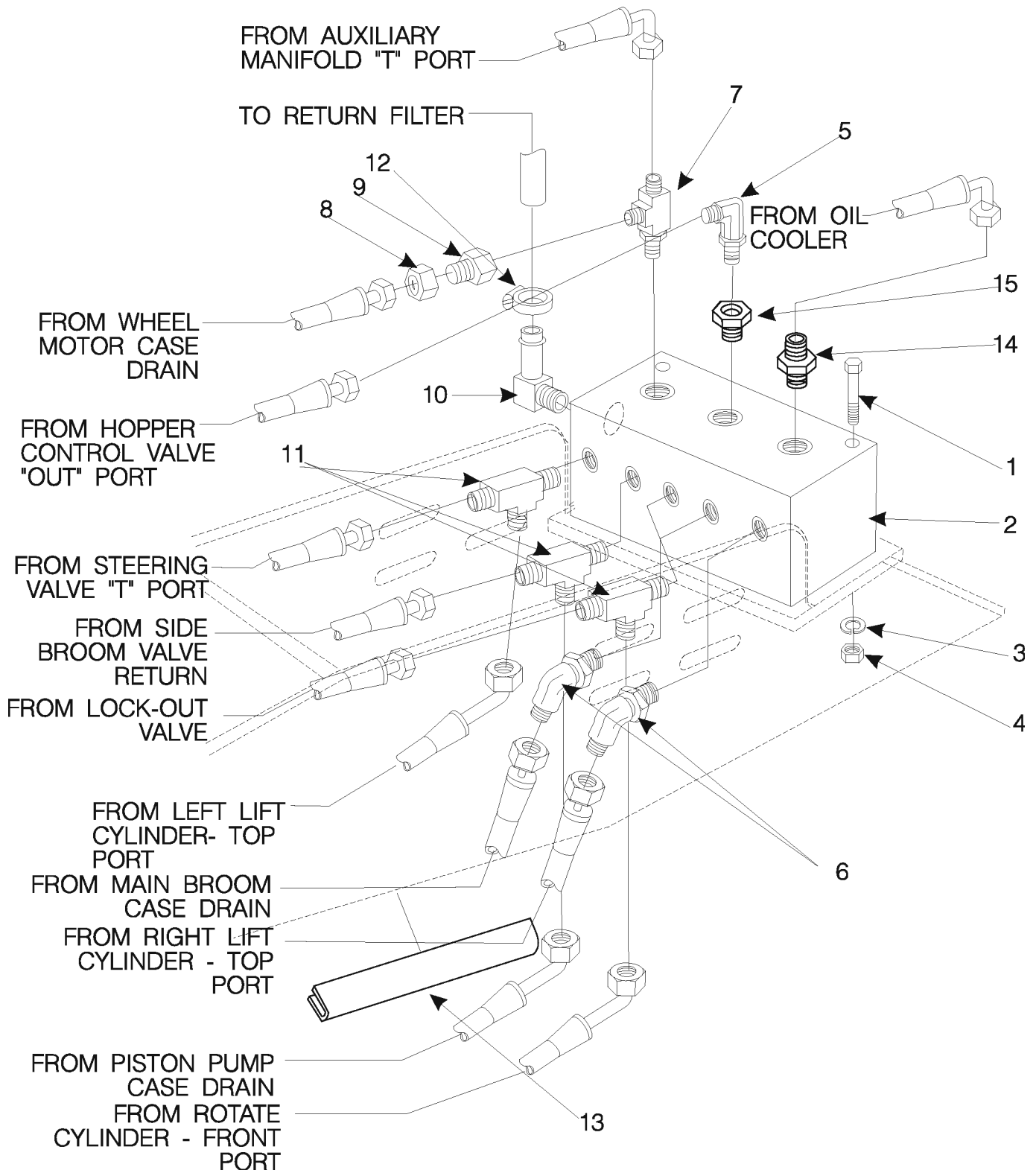
| Item | Ref. No. | Qty | Description |
|------|------------|-----|------------------------------------|
| 1 | 8-17-05029 | 2 | Lift Cylinder |
| 2 | 8-17-05028 | 1 | Dump Cylinder |
| 3 | 8-17-05030 | 1 | Rotation Cylinder |
| 4 | 2-00-04976 | 2 | ORFS Connector, 7/16-20 to 9/16-18 |
| 5 | 2-00-04892 | 6 | ORFS 90° Elbow, 7/16-20 to 9/16-18 |
| 6 | 2-00-04930 | 2 | ORFS Union Tee, 9/16-18 |
| NS | 0880-449 | 1 | Lift Cylinder Seal Kit |
| NS | 0880-505 | 1 | Dump Cylinder Seal Kit |
| NS | 0880-450 | 1 | Rotation Cylinder Seal Kit |



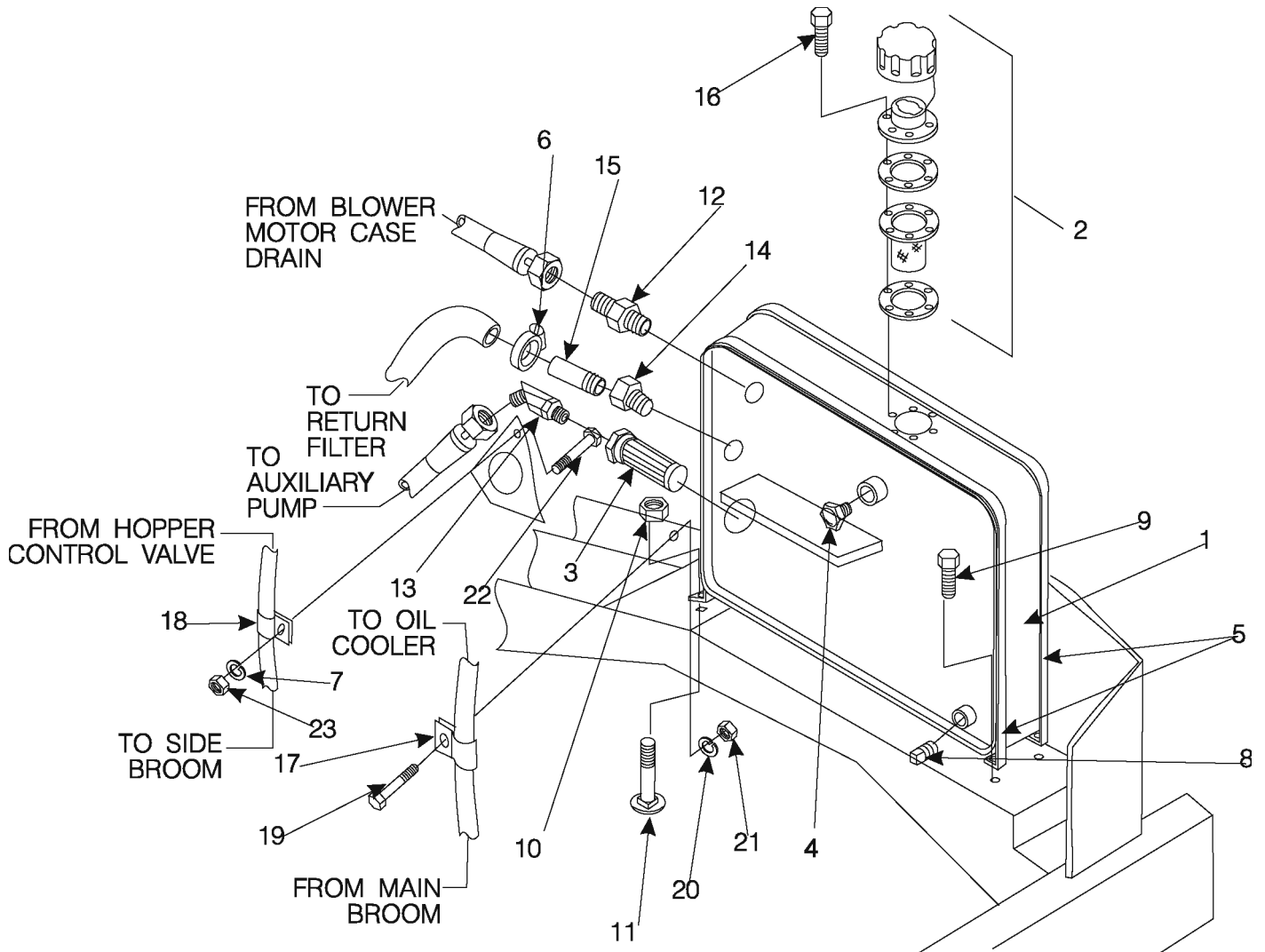
| Item | Ref. No. | Qty | Description |
|------|------------|-----|--|
| 1 | 2-00-05162 | 2 | Tee, Swivel #4 ORS |
| 2 | 2-00-04917 | 1 | ORFS Boss Reducer, 9/16-18 to 7/16-20 |
| 3 | 2-00-04918 | 1 | ORFS Connector, 7/16-18 to 9/16-18 |
| 4 | 2-00-04919 | 1 | ORFS Branch Tee, 7/16-20 x (2) 9/16-18 |
| 5 | 2-00-02589 | 4 | Screw, 1/4 - 20 x 2.000 HHC |
| 6 | 2-00-00641 | 2 | Nut, Hex Fiber Insert 1/4 - 20 |
| 7 | 8-08-00590 | 1 | Bracket |
| 8 | 2-00-03702 | 4 | Flat Washer, .625 x .281 x .0625 |
| 9 | 8-88-00044 | 1 | Hopper Lock Valve |
| 10 | 8-88-00056 | 1 | Orifice Disc |



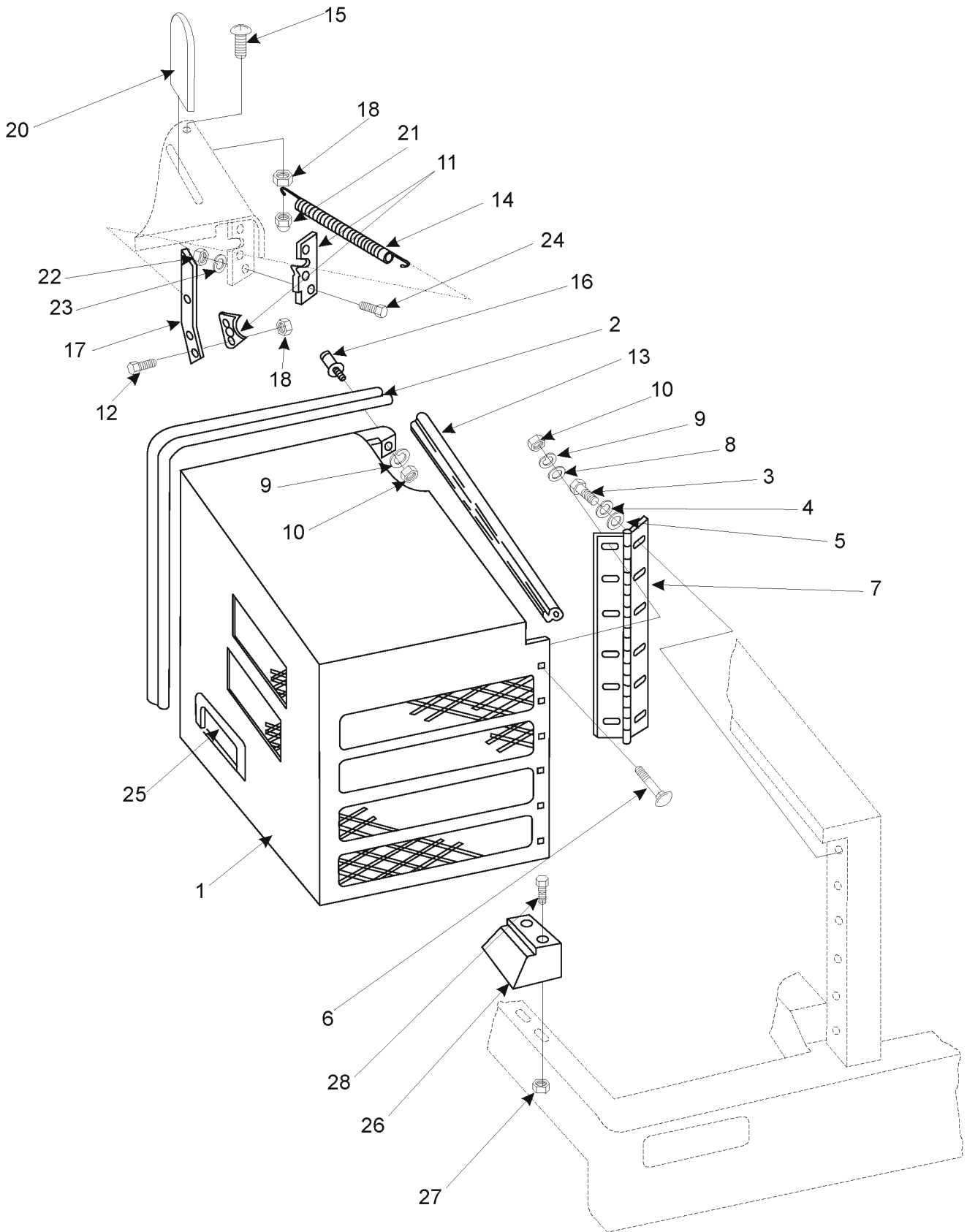
| Item | Ref. No. | Qty | Description |
|------|------------|-----|-------------------------------------|
| 1 | 8-88-00055 | 1 | Auxiliary Manifold |
| | 7-14-07004 | 1 | Coil |
| 2 | 2-00-04885 | 1 | ORFS 90° Elbow, 3/4-16 / 13/16-16 |
| 3 | 2-00-04892 | 1 | ORFS 90° Elbow, 7/16-20 / 9/16-18 |
| 4 | 2-00-04975 | 1 | Fitting |
| 5 | 2-00-04596 | 1 | ORFS Nut, 13/16-16 |
| 6 | 2-00-00518 | 2 | Lock Washer, Helical Spring 1/4 Med |
| 7 | 2-00-00594 | 2 | Nut, Hex 1/4 - 20 |
| 8 | 2-00-04976 | 1 | Elbow 45° #4 SAE - ORS |



| Item | Ref. No. | Qty | Description |
|------|------------|-----|-------------------------------------|
| 1 | 2-00-04596 | 2 | Screw, 1/4 - 20 x 3.50 |
| 2 | 7-48-00019 | 1 | Return Manifold |
| 3 | 2-00-00518 | 2 | Lock Washer, Helical Spring 1/4 Med |
| 4 | 2-00-00594 | 2 | Nut, Hex 1/4 - 20 x .437 x .218 |
| 5 | 2-00-04926 | 3 | ORFS 90° Elbow, 7/16-20 to 9/16-18 |
| 6 | 2-00-04976 | 3 | 45° Elbow, O-ring |
| 7 | 2-00-04924 | 1 | Swivel Tee |
| 8 | 2-00-04939 | 1 | Nut for Reducer Fitting |
| 9 | 2-00-04929 | 2 | Fitting, Reducer |
| 10 | 2-00-05133 | 1 | 90° Elbow |
| 11 | 2-00-04927 | 2 | Run Tee, O-ring |
| 12 | 2-00-02220 | 1 | Clamp |
| 13 | 7-21-04031 | 2 | Edging |
| 14 | 2-00-04970 | 2 | Fitting, Straight #8 SAE - #8 ORS |
| 15 | 2-00-04932 | 1 | Fitting, Reducer #8 - #6 SAE |



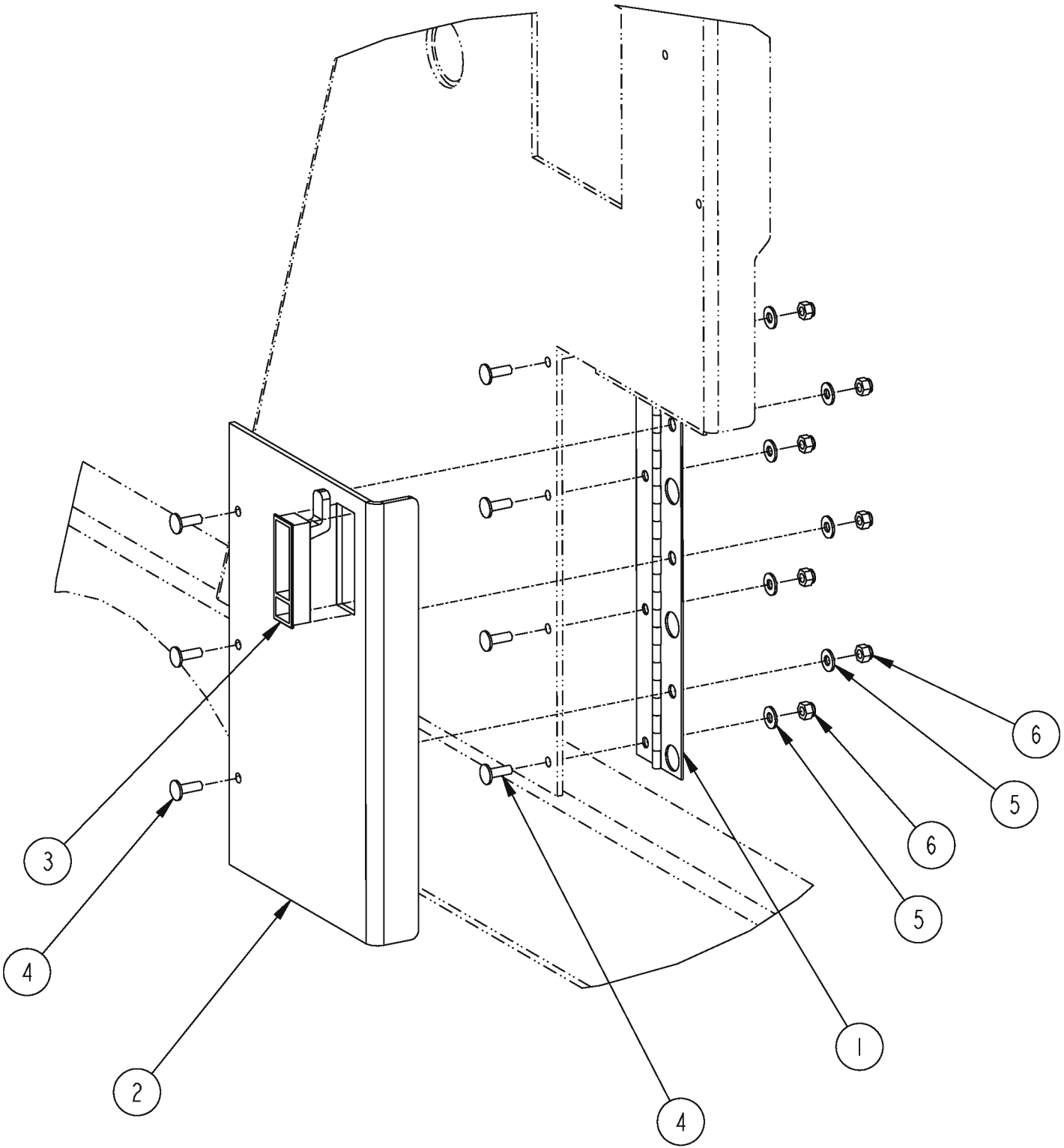
| Item | Ref. No. | Qty | Description |
|------|------------|-----|--------------------------------------|
| 1 | 8-83-04036 | 1 | Hydraulic Reservoir |
| 2 | 8-11-00026 | 1 | Filler Cap Assembly |
| 3 | 8-24-04115 | 1 | Strainer |
| 4 | 8-48-05033 | 1 | Sight Glass |
| 5 | 8-79-00114 | 2 | Strap |
| 6 | 2-00-02220 | 3 | Hose Clamp, .812 - 1.500 |
| 7 | 2-00-00518 | 5 | Lock Washer, 1/4 |
| 8 | 2-00-02474 | 1 | Pipe Plug, 1/2 NPT |
| 9 | 2-00-00205 | 4 | Screw, 1/4 - 20 x 1.000 HHC |
| 10 | 2-00-00641 | 2 | Nut, 1/4-20 Fiber Lock |
| 11 | 2-00-02196 | 4 | Carriage Bolt, 1/4 - 20 x 1.000 |
| 12 | 2-00-04895 | 1 | Fitting Strt, #4 SAE - #4 ORS |
| 13 | 2-00-05037 | 1 | Adapter, 3/4 ORS x 3/4 NPT 45° Elbow |
| 14 | 2-00-04572 | 1 | Reducer, #12 Ste - 3/4 NPT |
| 15 | 2-00-03585 | 1 | Pipe Nipple, 3/4 NPT |
| 16 | 2-00-03940 | 6 | Screw, #10-24 x .500 T/C HH |
| 17 | 2-00-04564 | 1 | Hose Clamp, 13/16 |
| 18 | 2-00-04873 | 1 | Clamp |
| 19 | 2-00-02708 | 1 | Screw, 5/16-18 x 1.000 HHC |
| 20 | 2-00-00530 | 1 | Lock Washer, 5/16 |
| 21 | 2-00-00585 | 2 | Nut, Hex 5/16-18 |
| 22 | 2-00-02196 | 2 | Carriage Bolt, 1/4-20 x 1.000 |



08-11

ENGINE COVER**4366XP****51**

| Item | Ref. No. | Qty | Description |
|------|------------|-----|-------------------------------------|
| 1 | 56516812 | 1 | Engine Cover Weldment |
| 2 | 8-21-04043 | 1 | Edging, Engine Compartment Seal |
| 3 | 2-00-00233 | 6 | Screw, 3/8 - 16 x 1.00 HHC |
| 4 | 2-00-02310 | 6 | Lock Washer, Helical Spring 3/8 Med |
| 5 | 2-00-04801 | 6 | Flat Washer, .875 x .375 x .062 |
| 6 | 2-00-03569 | 6 | Carriage Bolt, 5/16-18 x .750 |
| 7 | 56516813 | 1 | Engine Cover Hinge |
| 8 | 2-00-00409 | 6 | Flat Washer, 5/16 x .69 |
| 9 | 2-00-00530 | 7 | Lock Washer, Helical Spring 5/16 |
| 10 | 2-00-00585 | 7 | Nut, Hex 5/16-18 |
| 11 | 8-41-00046 | 1 | Rotary Latch |
| 12 | 2-00-04794 | 2 | Screw, #10-24 x .625 BHS |
| 13 | 8-21-04042 | 1 | Edging, Engine Compartment Seal |
| 14 | 7-76-00106 | 1 | Lever Return Spring |
| 15 | 2-00-03063 | 1 | Screw, #10-24 x .750 THM |
| 16 | 56516814 | 1 | Striker Latch Pin |
| 17 | 56516815 | 1 | Latch Release Lever |
| 18 | 2-00-01246 | 3 | Insert, #10 - 24 Thin Nylon |
| 20 | 7-31-06061 | 1 | Lever Cover |
| 21 | 2-00-01246 | 1 | Nut, Hex Fibre Lock #10-24 |
| 22 | 2-00-00594 | 3 | Nut, Hex 1/4-20 |
| 23 | 2-00-00518 | 3 | Lock Washer, Helical Spring 1/4 |
| 24 | 2-00-02587 | 3 | Screw, 1/4-20 x 1.250 HHC |
| 25 | 8-21-04038 | 1 | Hand Hole Edging |
| 26 | 7-78-05016 | 1 | Engine Cover Stop |
| 27 | 2-00-00641 | 2 | Nut, Hex Fiber Lock 1/4-20 |
| 28 | 2-00-01769 | 2 | Screw, 1/4-20 x 1.75 HHC |



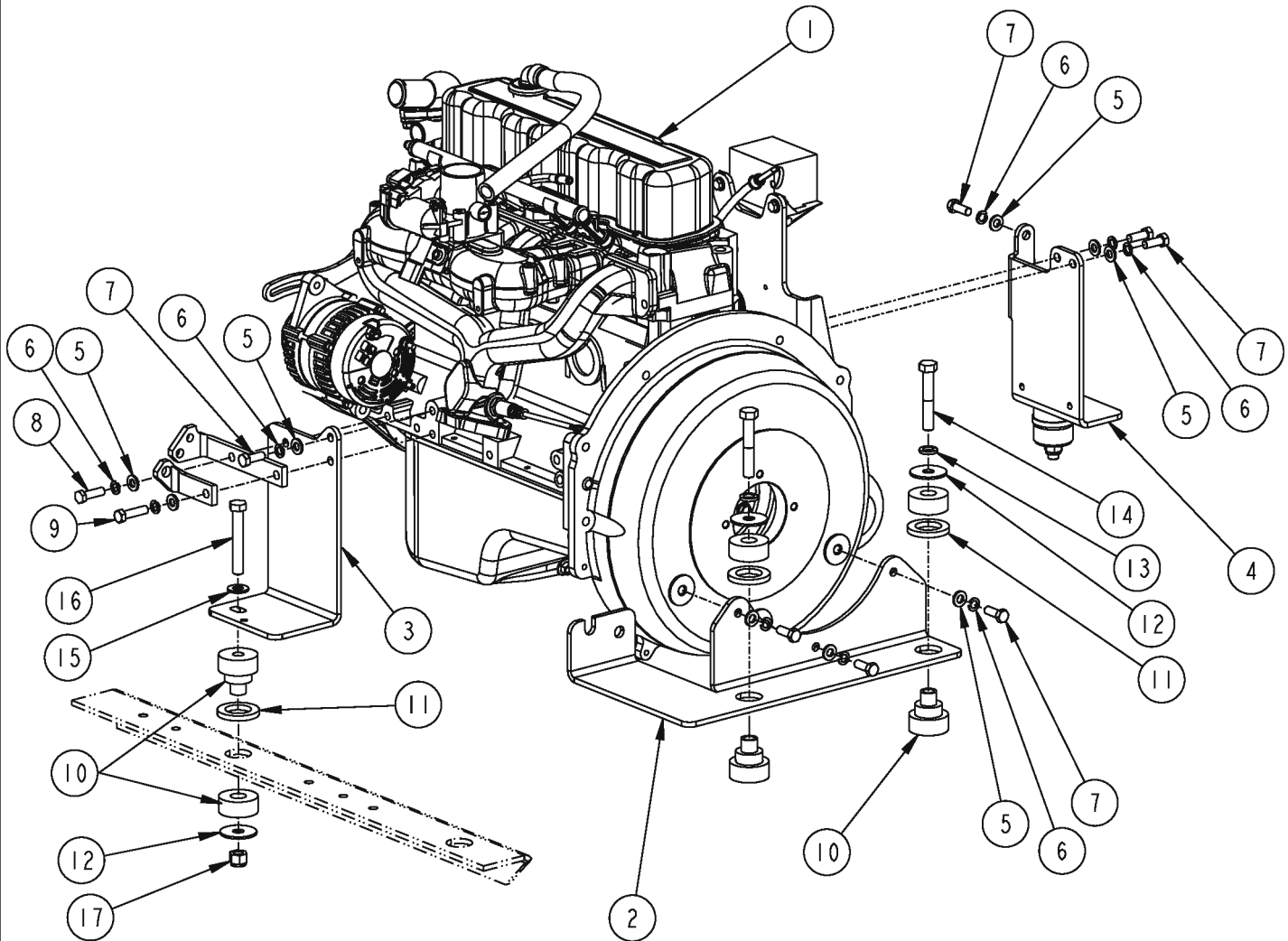
08-11

ENGINE ACCESS DOOR

4366XP

53

| Item | Ref. No. | Qty | Description |
|------|------------|-----|--------------------------------|
| 1 | 7-89-06545 | 1 | Hinge |
| 2 | 56516831 | 1 | Door, Lintel |
| 3 | 8-41-00044 | 1 | Latch |
| 4 | 2-00-00183 | 7 | Screw, 1/4-20 x 3/4 Round Head |
| 5 | 2-00-03702 | 7 | Washer, .625 x .281 x .063 |
| 6 | 2-00-00641 | 7 | Nut, 1/4-20 Fiber Insert |

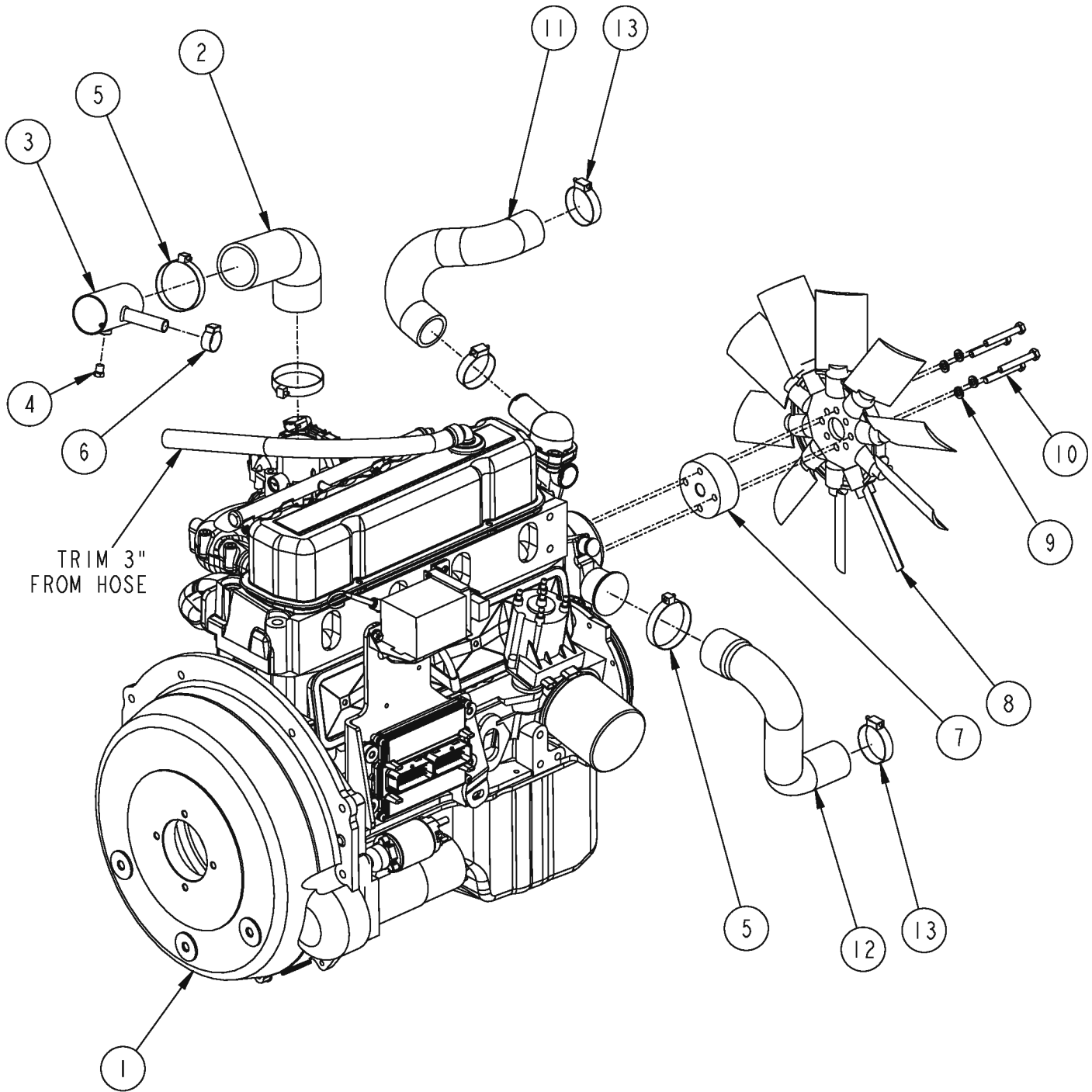


| Item | Ref. No. | Qty | Description |
|------|------------|-----|-----------------------------------|
| 1 | 0777-068 | 1 | Engine, GM 3.0 LPG |
| | 0777-069 | 1 | Engine, GM 3.0 GASOLINE / PETROL |
| * | 56504513 | A/R | Engine-Long Block Assy-3.0L |
| 2 | 8-08-00966 | 1 | Bracket, Engine Mount |
| 3 | 8-08-00967 | 1 | Bracket, Engine Mount |
| 4 | 8-08-00968 | 1 | Bracket, Engine Mount |
| 5 | 2-00-00402 | 9 | Washer, 25/64 ID x 3/4 OD |
| 6 | 2-00-02310 | 9 | Lock Washer, 3/8 Helical Spring |
| 7 | 2-00-00233 | 7 | Bolt, 3/8-16 x 1.25 Fin. Hex Head |
| 8 | 2-00-00209 | 1 | Bolt, 3/8-16 x 1.25 Hex Head |
| 9 | 2-00-00234 | 1 | Screw, 3/8-16 x 1.50 HHC |
| 10 | 7-35-00017 | 4 | Isolator, Engine Mount (Red Dot) |
| 11 | 2-00-05955 | 4 | Washer |
| 12 | 2-00-05067 | 4 | Spacer, Snubbing Washer |
| 13 | 2-00-02312 | 2 | Lock Washer, 1/2" |
| 14 | 2-00-02697 | 2 | Screw, 1/2-20 x 3.0 |
| 15 | 2-00-00405 | 2 | Flat Washer, 1.063 x .531 x .094 |
| 16 | 2-00-02617 | 2 | Screw, 1/2-13 x 3.5 SS |
| 17 | 2-00-04936 | 2 | Nut, 1/2-13 Elastic Lock |

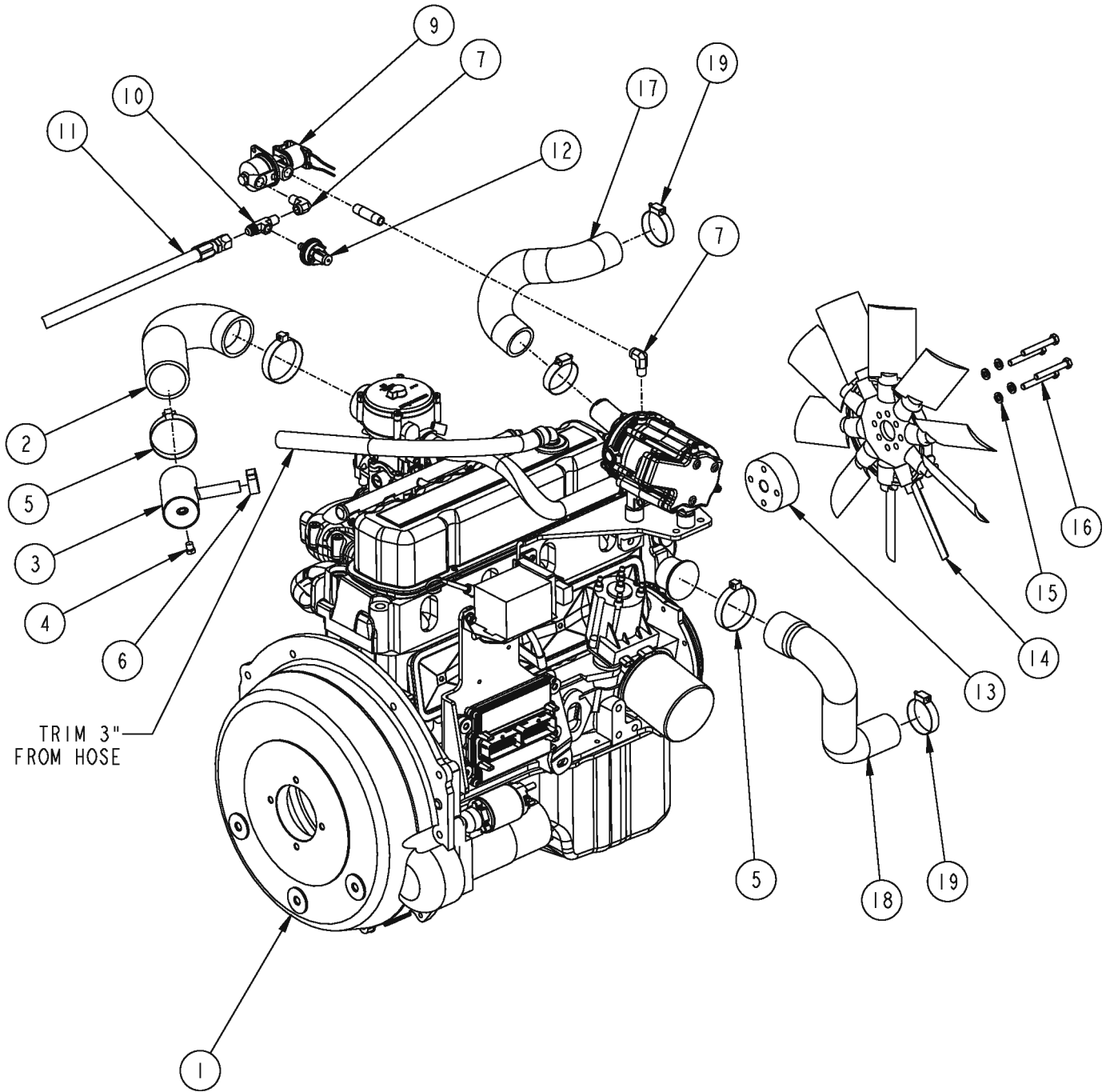
| Item | Ref. No. | Qty | Description | Item | Ref. No. | Qty | Description |
|------|------------|-----|--|------|------------|-----|---|
| | | | Engine Replacement Parts | | | | Engine Replacement Parts |
| * | 56109000 | 1 | Ecu, 06 Lp Cert 3.0l NOTE 1 | * | 56109024 | 1 | Pcv Valve |
| * | 56109001 | 1 | Ecu, 06 Gas Cert 3.0l NOTE 2 | * | 56109025 | 1 | Starter |
| * | 56109113 | 1 | Ecu, 07 Lp Cert 3.0l NOTE 1 | * | 56109026 | 2 | Bolt, Starter |
| * | 56109114 | 1 | Ecu, 07 Gas Cert 3.0l NOTE 2 | * | 56305867 | 1 | Alternator |
| * | 0795-225 | 1 | Harness, 3.0l Lp Engine NOTE 1 | * | 56109028 | 1 | Belt, Alternator |
| * | 0795-228 | 1 | Harness, 3.0l Gas Engine NOTE 2 | * | 56109029 | 1 | Thermostat |
| * | 0795-220 | 1 | Harness: Engine - Machine Patch | * | 56109030 | 1 | Gasket, Thermostat |
| * | 56109002 | 1 | Sensor, Coolant | * | 56109032 | 1 | Gasket, Thermostat Housing |
| * | 56109003 | 1 | Sensor, Crankshaft Position | * | 56109033 | 1 | Throttle Body, Bosch 40mm |
| * | 56109004 | 1 | Sensor, Tmap | * | 56109034 | 1 | Gasket, Throttle Body |
| * | 56109005 | 1 | Sensor, O2 Pre Cat | * | 56109035 | 1 | Mixer, Impco Model 100 NOTE 1 |
| * | 56109006 | 1 | Switch, Oil Pressure | * | 56109036 | 1 | Gasket, Adapter - Mixer NOTE 1 |
| * | 8-69-00013 | 1 | Sender, Water Temp | * | 56109040 | 1 | Adapter, Mixer - Throttle Body NOTE 1 |
| * | 8-69-00005 | 1 | Sender, Oil Pressure | * | 56109041 | 2 | Seal, Mixer Adapter NOTE 1 |
| * | 56109007 | 1 | Water Pump | * | 56109042 | 1 | O-Ring, Mixer Adapter NOTE 1 |
| * | 56109008 | 1 | Oil Pump | * | 56109043 | 1 | Electronic Pressure Regulator (Epr) NOTE 1 |
| * | 56109009 | 1 | Gasket, Cylinder Head | * | 56109044 | 1 | Sender, Lpg Temp - Epr NOTE 1 |
| * | 56109010 | 1 | Gasket, Valve Cover | * | 56109045 | 1 | Fitting Kit, Epr NOTE 1 |
| * | 56109011 | 1 | Gasket, Lifter Cover | * | 56109046 | 3 | Isolator, Epr NOTE 1 |
| * | 56109012 | 1 | Gasket, Intake Manifold | * | 56109047 | 1 | Hose, Water - Epr NOTE 1 |
| * | 56109013 | 1 | Plate, Drive, Sae 13t B-B | * | 7-88-00110 | 1 | Valve, Lp Safety NOTE 1 |
| * | 56109014 | 6 | Bolt, Drive Plate | * | 56109048 | 1 | Connector, Safety Valve NOTE 1 |
| * | 56109015 | 1 | Distributor Assembly | * | 56109049 | 1 | Lock, Safety Valve Connector NOTE 1 |
| * | 56109016 | 1 | Distributor Cap | * | 56305410 | 1 | Filter, Propane NOTE 1 |
| * | 56109017 | 1 | Distributor Rotor | * | 56109050 | 1 | Fuel Rail Assy NOTE 2 |
| * | 56109018 | 1 | Ignition Module | * | 56109051 | 1 | Fuel Injector NOTE 2 |
| * | 56109019 | 1 | Ignition Coil | * | 56109185 | 1 | Intake Manifold |
| * | 56109020 | 1 | Coil Wire | * | 56109186 | 1 | Exhaust Manifold |
| * | 56109021 | 1 | Spark Plug Wire Set | * | 56504459 | 1 | Front Crankshaft Seal |
| * | 56109022 | 4 | Spark Plug | * | 56504475 | 1 | Hose-Breather Cap |
| * | 56109023 | 1 | Oil Filter | * | 56504476 | 1 | Sender-Water Temp |
| | | | | * | 56504474 | 1 | Cap-Oil Fill |
| | | | | * | 56109084 | A/R | Engine Service Kit |

* = Not Shown

NOTE 1: LPG models only**NOTE 2:** Gasoline / Petrol models only

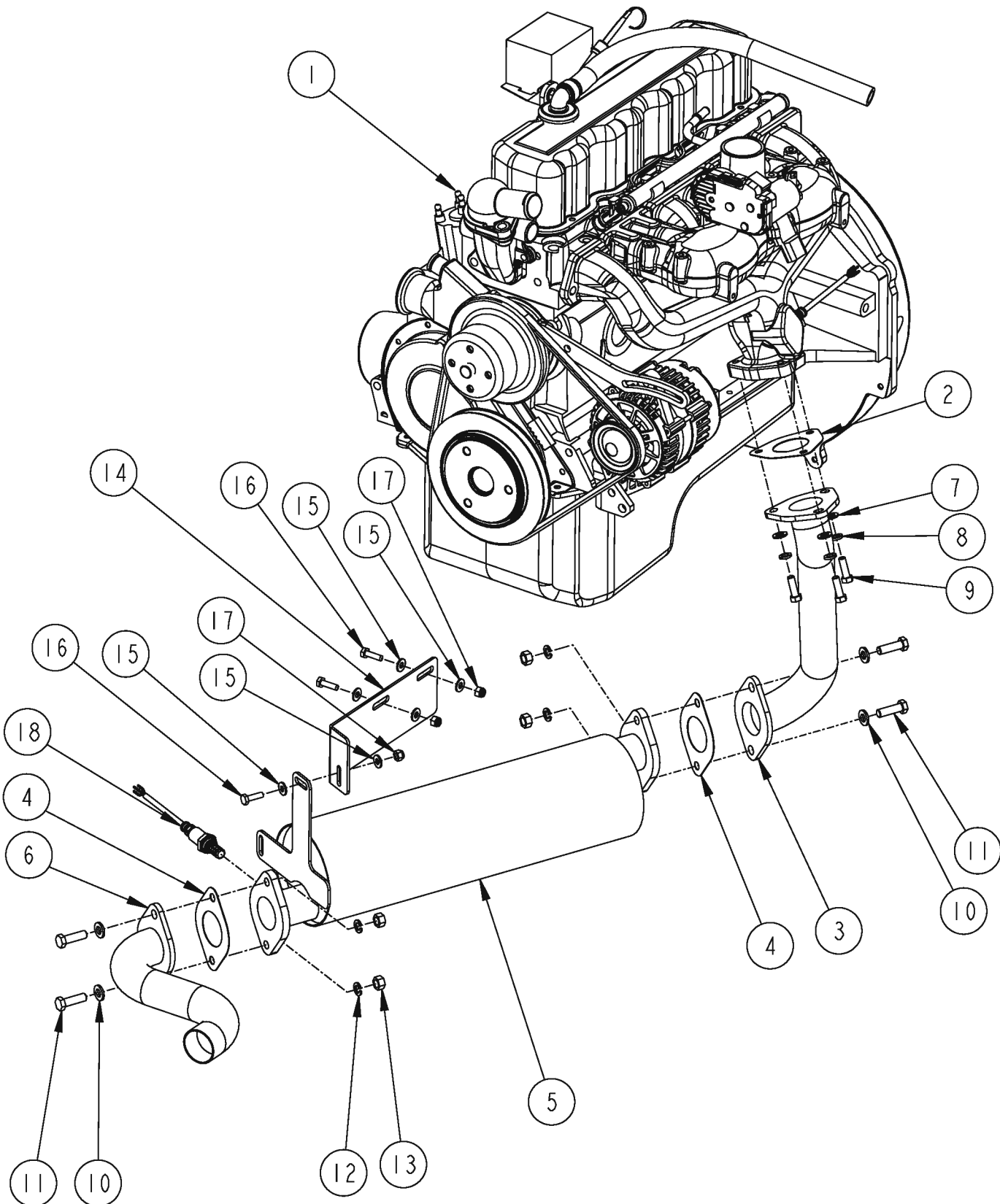


| Item | Ref. No. | Qty | Description |
|------|------------|-----|--------------------------------|
| 1 | 0777-069 | 1 | Engine, GM 3.0 GAS |
| 2 | 7-33-02712 | 1 | Hose, Air Intake |
| 3 | 56305240 | 1 | Tube (Weldment) |
| 4 | 2-00-03778 | 1 | Plug, 1/8 NPT |
| 5 | 2-00-02216 | 3 | Clamp, Hose |
| 6 | 2-00-03407 | 1 | Clamp, Witteck #10P |
| 7 | 7-75-01282 | 1 | Spacer, Fan |
| 8 | 8-23-00018 | 1 | Fan, 15.5" Breeza |
| 9 | 2-00-00530 | 4 | Lock Washer, 5/16 |
| 10 | 2-00-06557 | 4 | Screw, 5/16-24 x 2.25 Hex Head |
| 11 | 8-33-02409 | 1 | Hose, Upper Radiator |
| 12 | 8-33-02410 | 1 | Hose, Lower Radiator |
| 13 | 2-00-03404 | 3 | Clamp, Hose |



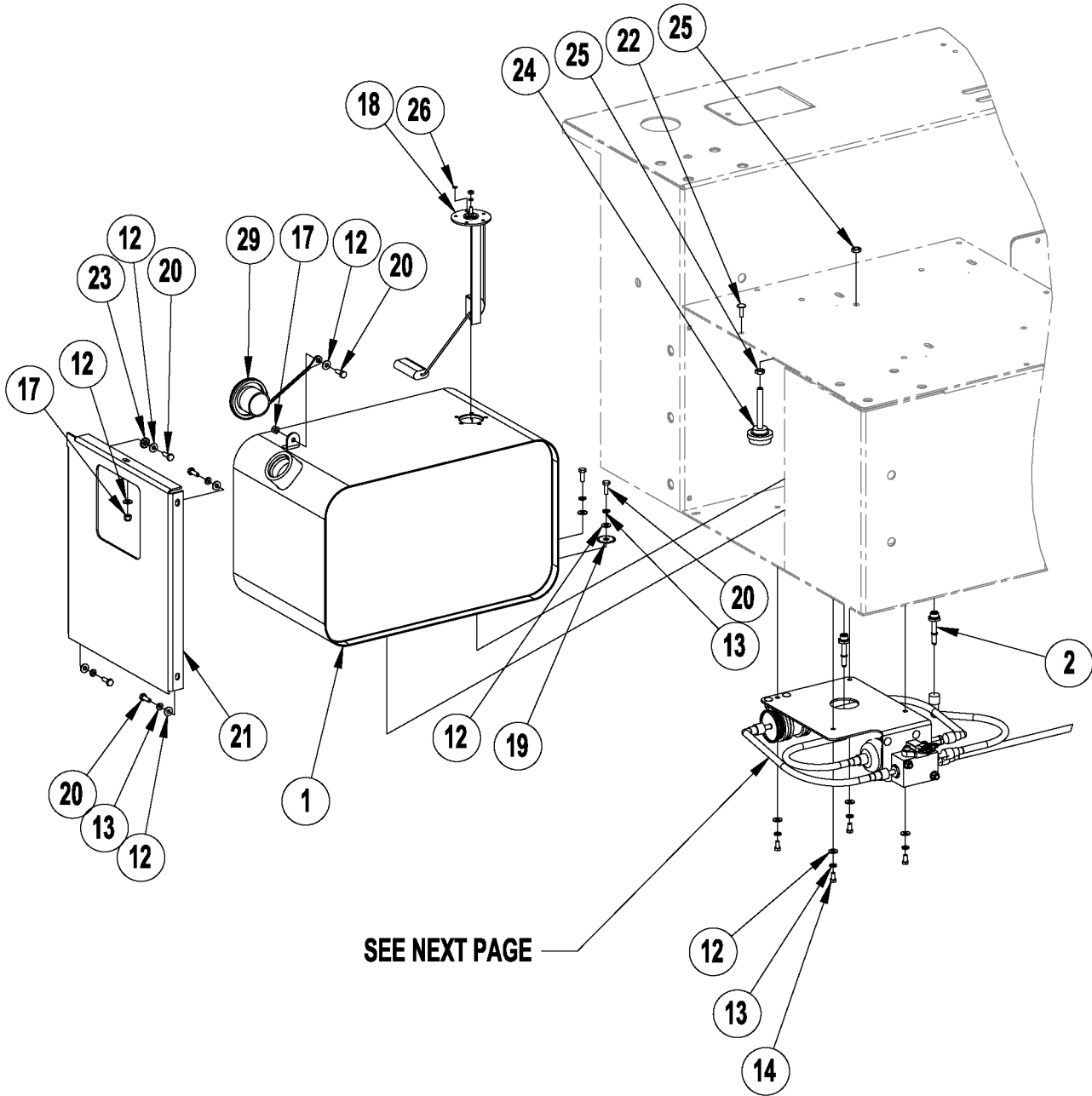
| Item | Ref. No. | Qty | Description |
|------|------------|-----|--|
| 1 | 0777-068 | 1 | Engine, GM 3.0 LP |
| 2 | 8-33-02411 | 1 | Hose, Air Intake |
| 3 | 56305240 | 1 | Tube (Weldment) |
| 4 | 2-00-03778 | 1 | Plug, 1/8 NPT |
| 5 | 2-00-02216 | 3 | Clamp, Hose |
| 6 | 2-00-03407 | 1 | Clamp, Witteck #10P |
| 7 | 2-00-05678 | 1 | Fitting, 1/4" NPT 90° Brass Street Elbow |
| 9* | 7-88-00110 | 1 | Valve, LP Safety |
| 10 | 56900921 | 1 | Fitting, 1/4 NPT x 1/8 NPT x 3/8 JIC Tee |
| 11 | 8-33-02415 | 1 | Hose, LP High Pressure (102") |
| 12 | 8-82-00046 | 1 | Switch, Low Pressure |
| 13 | 7-75-01282 | 1 | Spacer, Fan |
| 14 | 8-23-00018 | 1 | Fan, 15.5" Breeza |
| 15 | 2-00-00530 | 4 | Lock Washer, 5/16 |
| 16 | 2-00-06557 | 4 | Screw, 5/16-24 x 2.25 Hex Head |
| 17 | 8-33-02409 | 1 | Hose, Upper Radiator |
| 18 | 8-33-02410 | 1 | Hose, Lower Radiator |
| 19 | 2-00-03404 | 3 | Clamp, Hose |

*Comes with 0777-068



| Item | Ref. No. | Qty | Description |
|------|------------|-----|---------------------------------|
| 1 | 0777-068 | 1 | Engine, GM 3.0 LP |
| | 0777-069 | 1 | Engine, GM 3.0 GAS |
| 2* | 7-29-00344 | 1 | Gasket, Exhaust Flange |
| 3 | 8-56-04060 | 1 | Exhaust Downpipe |
| 4* | 7-29-00345 | 2 | Gasket, Exhaust Flange |
| 5* | 7-49-00045 | 1 | Muffler, Catalyst |
| 6 | 8-56-04061 | 1 | Exhaust Tailpipe |
| 7 | 2-00-00409 | 3 | Flat Washer, .687 x .344 x .062 |
| 8 | 2-00-00530 | 3 | Lock Washer, 5/16 |
| 9 | 2-00-04948 | 3 | Screw, M8 x 1.25 x 25mm HHC |
| 10 | 2-00-00402 | 4 | Washer, 25/64 ID x 3/4 OD |
| 11 | 2-00-00209 | 4 | Bolt, 3/8-16 x 1.25 Hex Head |
| 12 | 2-00-02310 | 4 | Lock Washer, 3/8 Helical Spring |
| 13 | 2-00-02360 | 4 | Nut, 3/8-16 Hex |
| 14 | 8-31-07014 | 1 | Hanger, Muffler |
| 15 | 2-00-03702 | 6 | Washer, .625 x .281 x .063 |
| 16 | 2-00-01490 | 3 | Screw, 1/4-20 x .875 Hex Head |
| 17 | 2-00-00641 | 3 | Nut, 1/4-20 Fiber Insert |
| 18* | 7-11-04081 | 1 | O2 Sensor, GM 3.0 |

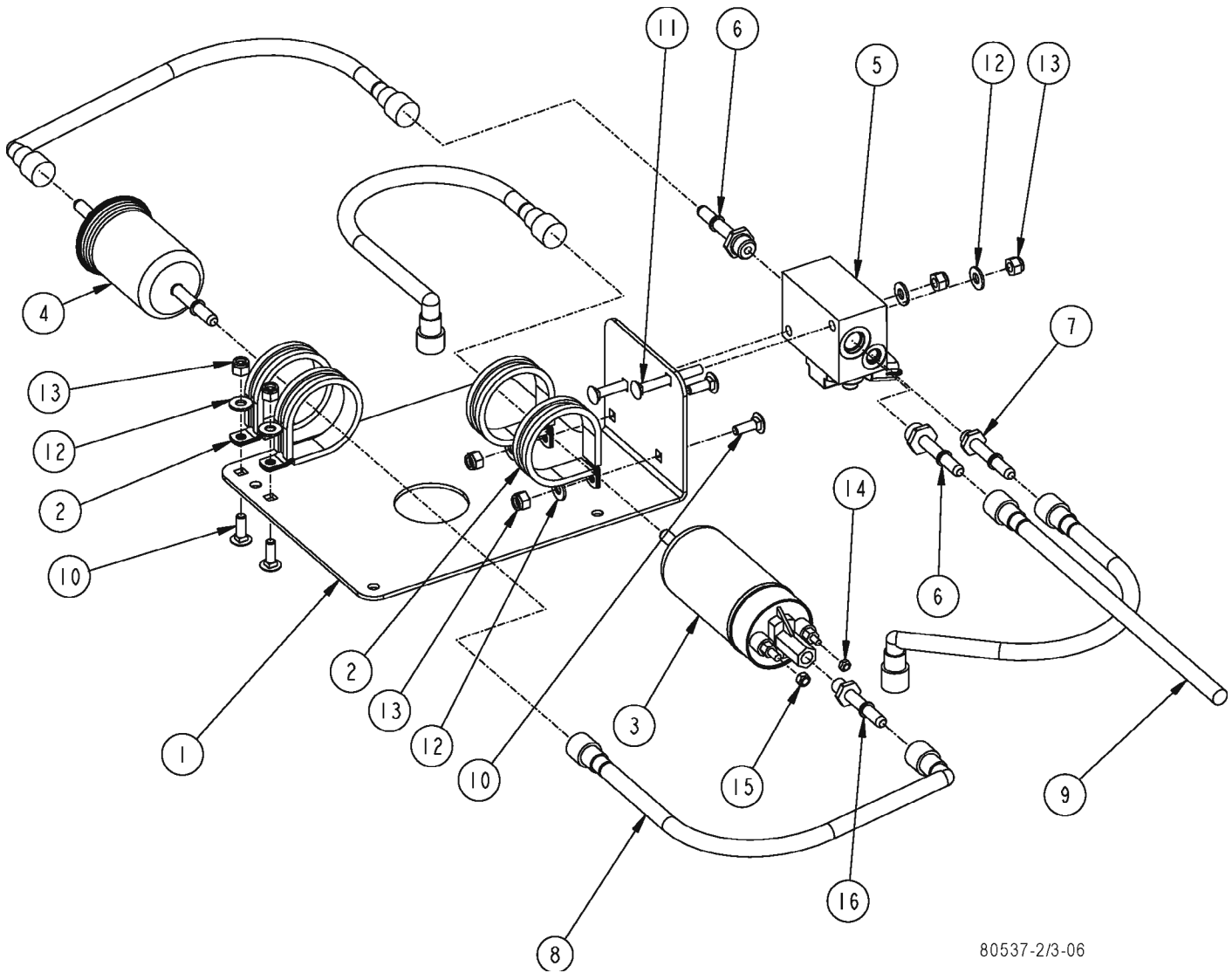
*Included with 0777-068 and 0777-069 engines



| Item | Ref. No. | Qty | Description |
|------|------------|-----|--------------------------------------|
| 1 | 56109112 | 1 | Fuel Tank, Gas |
| 2~ | 7-11-04083 | 4 | Fitting, -6 SAE x 5/16 Quick Connect |
| 3 | 8-08-00974 | 1 | Bracket, Fuel System |
| 4 | 7-13-07243 | 4 | Clamp, Fuel Pump |
| 5~ | 56305062 | 1 | Fuel Pump |
| 7~ | 56305412 | 1 | Fuel Filter |
| 8~ | 7-11-04082 | 1 | Manifold, Fuel Temperature |
| 9~ | 7-11-04084 | 1 | Fitting, -3 SAE x 5/16 Quick Connect |
| 10 | 8-33-02416 | 4 | Fuel Line, Low Permeation |
| 11 | 8-33-02417 | 1 | Fuel Line, Low Permeation |
| 12 | 2-00-03702 | 17 | Washer, .625 x .281 x .063 |
| 13 | 2-00-00518 | 9 | Lock Washer, 1/4" Helical Spring |
| 14 | 2-00-00219 | 4 | Bolt, 1/4-20 x 1/2 Hex Head |
| 15 | 2-00-03575 | 4 | Carriage Bolt, 1/4-20 x 3/4 |
| 16 | 2-00-00198 | 2 | Carriage Bolt, 1/4-20 x 2.0 |
| 17 | 2-00-00641 | 7 | Nut, 1/4-20 Fiber Insert |
| 18 | 8-26-04003 | 1 | Float, Fuel Level |
| 19 | 2-00-03829 | 1 | Lock Washer, 3/8" Int/Ext Tooth |
| 20 | 2-00-00221 | 6 | Bolt, 1/4-20 x 3/4 Fin. Hex Head |
| 21 | 56516835 | 1 | Rear Wall, Seat Compartment |
| 22 | 2-00-00183 | 1 | Screw, 1/4-20 x 3/4 round Head |
| 23 | 2-00-00503 | 1 | Lock Washer, 1/4-20 |
| 24 | 7-50-05144 | 1 | Pad |
| 25 | 2-00-02369 | 2 | Nut, 3/8-16 |
| 26 | 2-00-00512 | 1 | Star Washer |
| 27 | 2-00-06572 | 1 | Nut, M4 Distorted Thread |
| 28 | 2-00-06573 | 1 | Nut, M5 Distorted Thread |
| 29 | 56508354 | 1 | Cap |

* = Not Shown

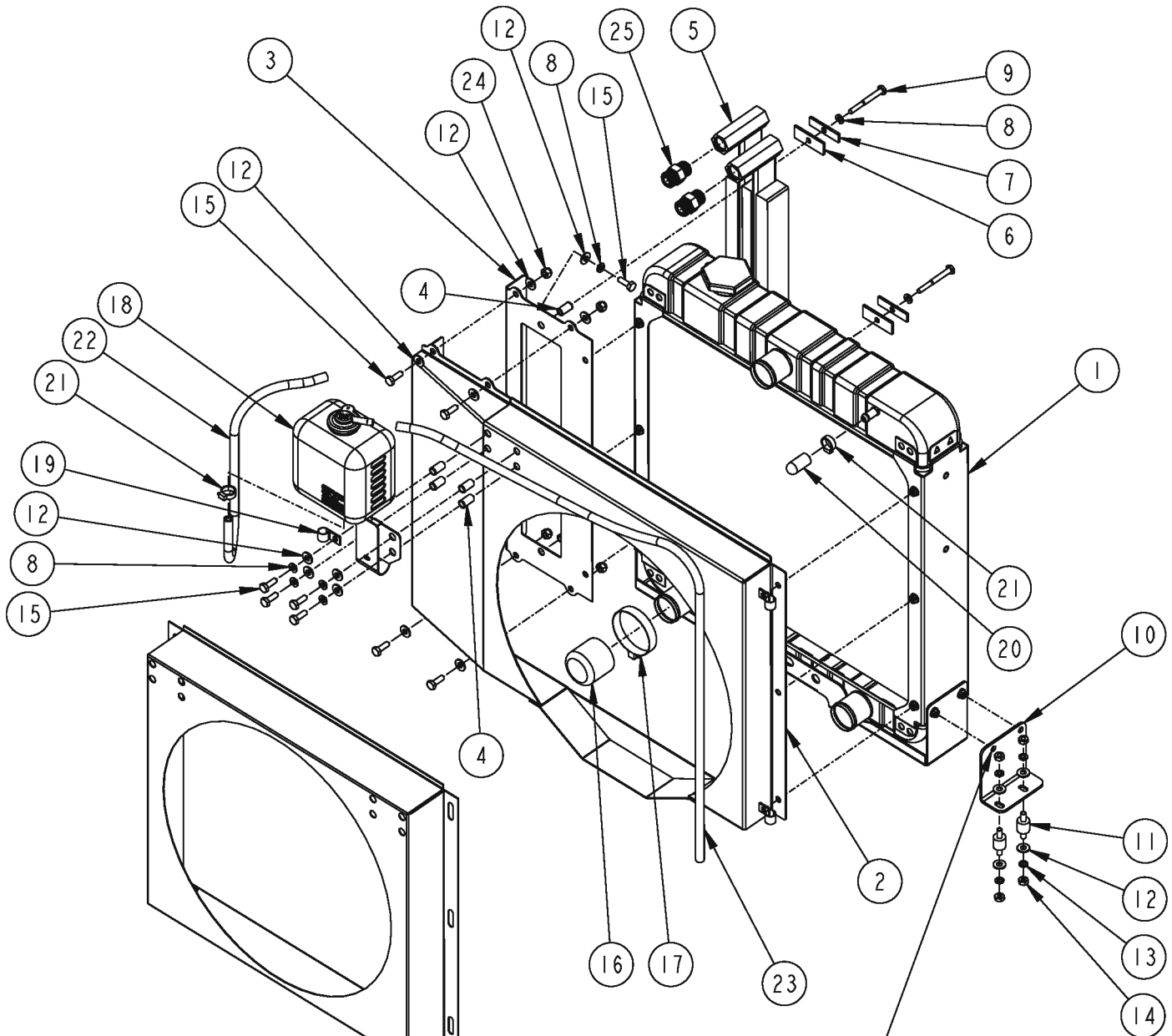
~Comes with 0777-069 Engine Assembly



80537-2/3-06

| Item | Ref. No. | Qty | Description |
|------|------------|-----|--------------------------------------|
| 1 | 8-08-00974 | 1 | Bracket, Fuel System |
| 2 | 7-13-07243 | 4 | Clamp, Fuel Pump |
| 3~ | 56305062 | 1 | Fuel Pump |
| 4~ | 56305412 | 1 | Fuel Filter |
| 5~ | 7-11-04082 | 1 | Manifold, Fuel Temperature |
| 6~ | 7-11-04083 | 2 | Fitting, -6 SAE x 5/16 Quick Connect |
| 7~ | 7-11-04084 | 1 | Fitting, -3 SAE x 5/16 Quick Connect |
| 8 | 8-33-02416 | 4 | Fuel Line, Low Permeation |
| 9 | 8-33-02417 | 1 | Fuel Line, Low Permeation |
| 10 | 2-00-03575 | 4 | Carriage Bolt, 1/4-20 x 3/4 |
| 11 | 2-00-00198 | 2 | Carriage Bolt, 1/4-20 x 2.0 |
| 12 | 2-00-03702 | 6 | Washer, .625 x .281 x .063 |
| 13 | 2-00-00641 | 6 | Nut, 1/4-20 Fiber Insert |
| 14 | 2-00-06572 | 1 | Nut, M4 Distorted Thread |
| 15 | 2-00-06573 | 1 | Nut, M5 Distorted Thread |
| 16~ | 56109052 | 1 | Fitting, Fuel Pump |

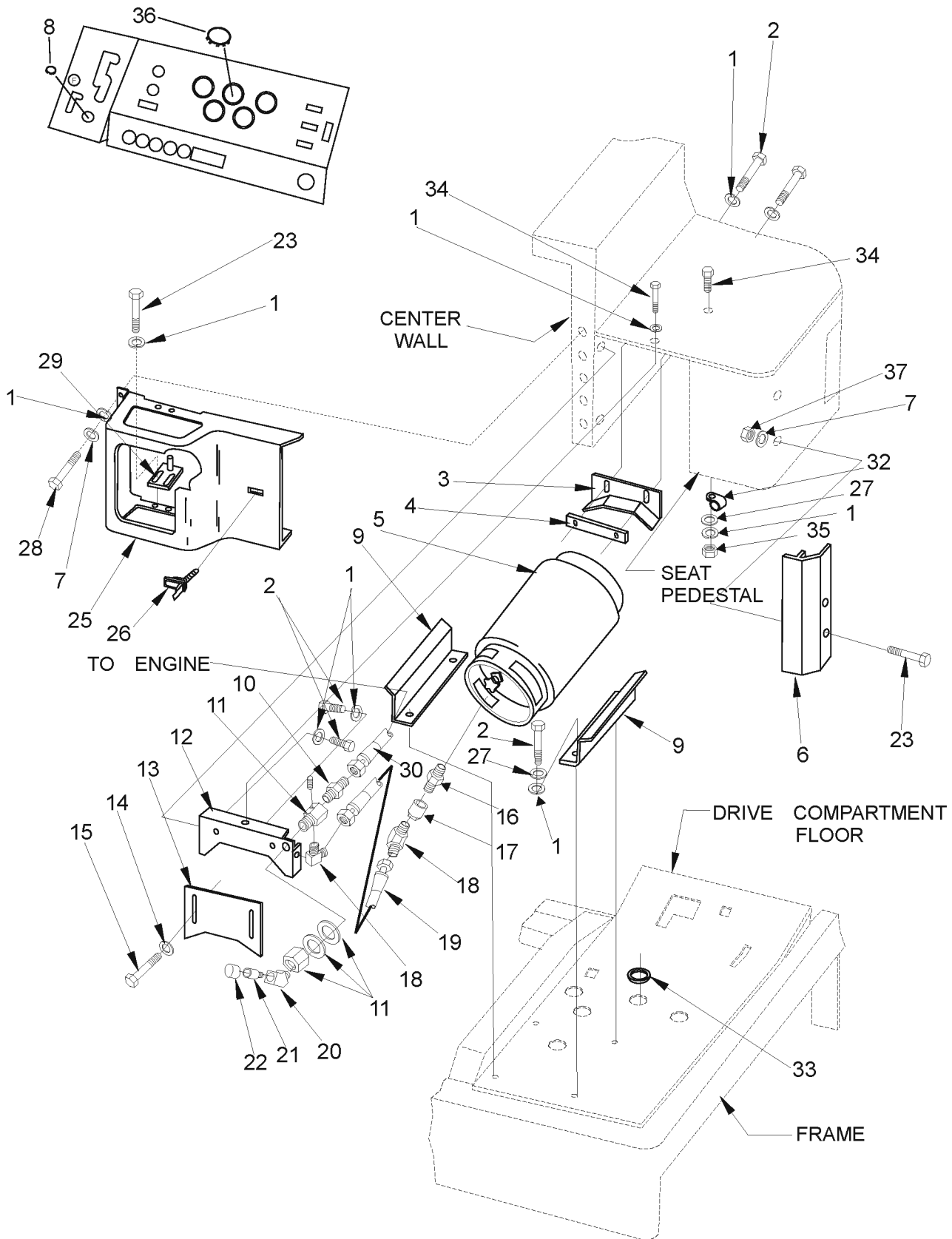
~Comes with 0777-069 Engine Assy.



USE BOLTS THAT COME WITH RADIATOR

REMOVE SHROUD THAT COMES WITH RADIATOR 7-62-01008

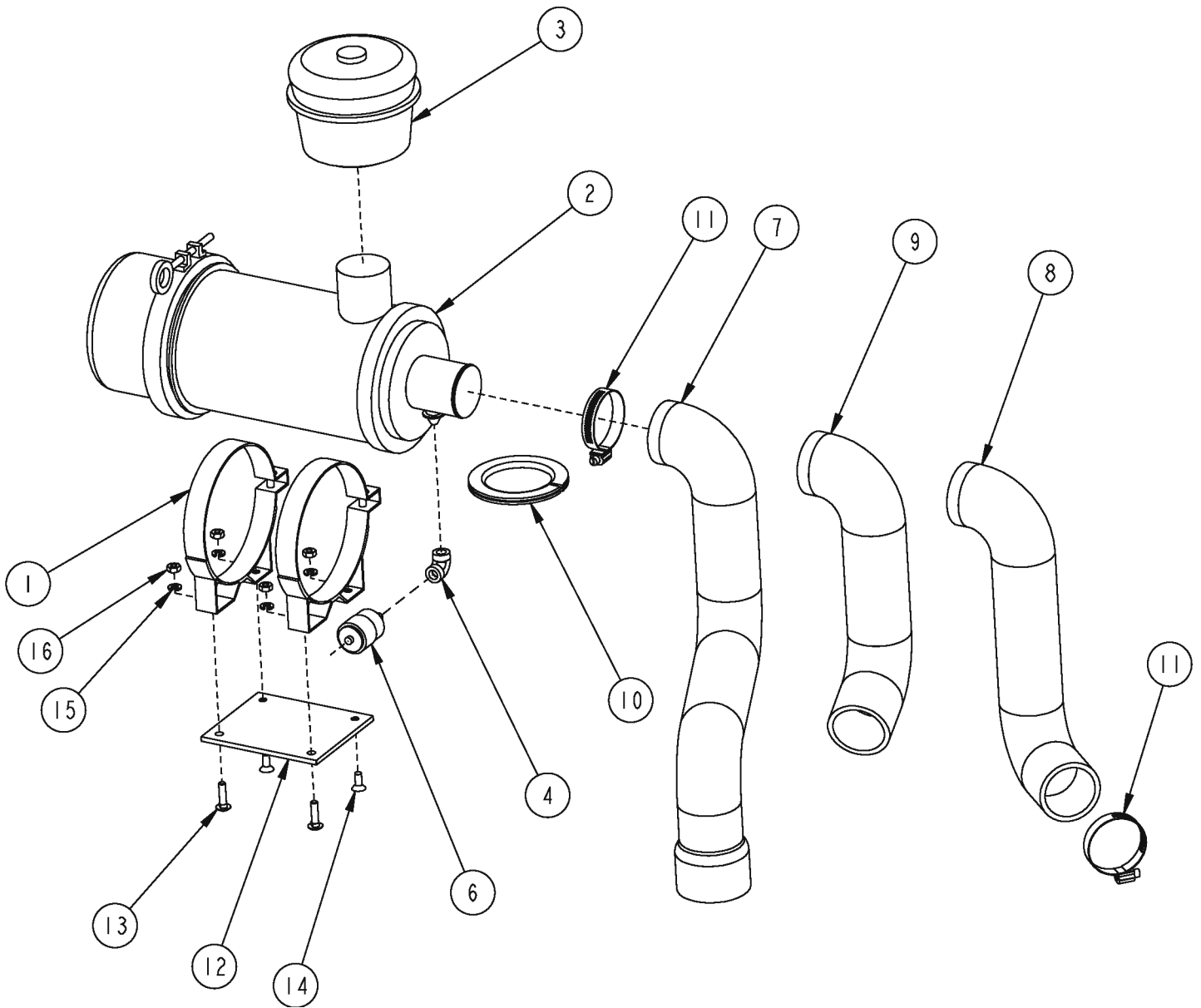
| Item | Ref. No. | Qty | Description |
|------|------------|-----|--|
| 1 | 7-62-01008 | 1 | Radiator |
| 2 | 8-72-00021 | 1 | Shroud, Radiator |
| 3 | 8-72-00022 | 1 | Shroud, Oil Cooler |
| 4 | 2-00-05261 | 6 | Insert, 1/4-20 Threaded |
| 5 | 8-62-01018 | 1 | Oil Cooler |
| 6 | 7-29-00192 | 2 | Gasket, Oil Cooler |
| 7 | 8-13-07088 | 2 | Clip |
| 8 | 2-00-00518 | 8 | Lock Washer, 1/4" Helical Spring |
| 9 | 2-00-00246 | 2 | Bolt, 1/4-20 x 2.25 Hex Head |
| 10 | 8-08-00946 | 1 | Bracket, Radiator Mounting |
| 11 | 8-50-05053 | 2 | Isolator, Radiator Mount |
| 12 | 2-00-03702 | 18 | Washer, .625 x .281 x .063 |
| 13 | 2-00-00501 | 4 | Washer, .25 ID x .44 OD x .046 |
| 14 | 2-00-00594 | 4 | Nut, 1/4-20 Hex |
| 15 | 2-00-00221 | 10 | Screw, 1/4-20 x 3/4 HHC |
| 16 | 2-00-05956 | 1 | Plug, Radiator Outlet |
| 17 | 2-00-02216 | 1 | Clamp, Hose |
| 18 | 7-07-02002 | 1 | Overflow Bottle Assy. (1 liter) |
| 19 | 2-00-04602 | 3 | Clamp |
| 20 | 2-00-05985 | 1 | Cap, 3/8 ID x 1 Inside Length (Rubber) |
| 21 | 2-00-05363 | 2 | Clamp, Hose |
| 22 | 7-33-02642 | 1 | Hose, 1/4" ID x 18" long (Black) |
| 23 | 7-33-02643 | 1 | Hose, 1/4" ID x 36" long (Black) |
| 24 | 2-00-00641 | 4 | Nut, 1/4-20 Fiber Insert |
| 25 | 2-00-04970 | 2 | Fitting, Str. -8 ORS x -8 SAE |



| Item | Ref. No. | Qty | Description |
|------|------------|-----|--|
| 1 | 2-00-00518 | 12 | Lock Washer, Helical Spring 1/4 Med |
| 2 | 2-00-00219 | 9 | Screw, 1/4-20 x .500 HHC |
| 3 | 56516859 | 1 | Rear Retainer |
| 4 | 56516858 | 1 | Bracket, Tapped |
| 5 | 8-83-04016 | 1 | LP Tank |
| 6 | 56516853 | 1 | Bumper, LP Tank Stop |
| 7 | 2-00-02312 | 5 | Lock Washer, Helical Spring 1/2 Med |
| 8~ | REF | | Light, Check Engine (Gas/LP) |
| | 2-00-04757 | 1 | Hole Plug (Diesel) |
| 9 | 56516857 | 2 | Tank Support |
| 10* | | 1 | Fitting, 1/4 NPT x 3/8 SAE Str. |
| 11* | | 1 | Fitting, Bulk Head Plus Hardware |
| 12 | 56516856 | 1 | Wall, Seat Compartment |
| 13 | 56516855 | 1 | Retainer, LP Tank |
| 14 | 2-00-00409 | 2 | Flat Washer, 5/16 |
| 15 | 2-00-04867 | 2 | Screw, 5/16-18 x 1.000 Thumb |
| 16* | | 1 | Fitting (comes with LP tank) |
| 17* | | 1 | Coupling |
| 18* | | 2 | Fitting, 1/4 NPT x 3/8 SAE 90 elbow |
| 19* | | 1 | Hose, Tank to Relief Valve |
| 20* | | 1 | Fitting, 1/4 NPT x 1/4 FM 45 Elbow |
| 21* | | 1 | Relief Valve |
| 22* | | 1 | Plastic Cap |
| 23 | 2-00-00239 | 5 | Screw, 1/2-13 x 1.000 HHC |
| 25 | 56516854 | 1 | Bumper, LP Tank Stop |
| 26 | 8-41-00040 | 1 | Latch, Bumper |
| 27 | 2-00-00407 | 7 | Flat Washer, .562 x .265 x .062 |
| 28 | 2-00-00221 | 2 | Screw, 1/4-20 x .750 HHC |
| 29 | 8-08-00620 | 1 | Bracket, Locating Pin |
| 30 | 8-33-02262 | Ref | Hose, 88", Engine to Relief Valve (FORD) |
| 32 | 2-00-04564 | 1 | Clamp, Cable |
| 33 | 8-09-01077 | 1 | Grommet |
| 34 | 2-00-00205 | 1 | Screw, 1/4-20 x 1.00 HHC |
| 35 | 2-00-00594 | 1 | Nut, Hex 1/4-20 x .437 x .218 |
| 36 | 7-11-04035 | 1 | Kit, Low LP Indicator Light |
| 37 | 2-00-00596 | 2 | Nut, 1/2-13 |

*All Parts without a number are contained in LP Kit Number 8-11-04014

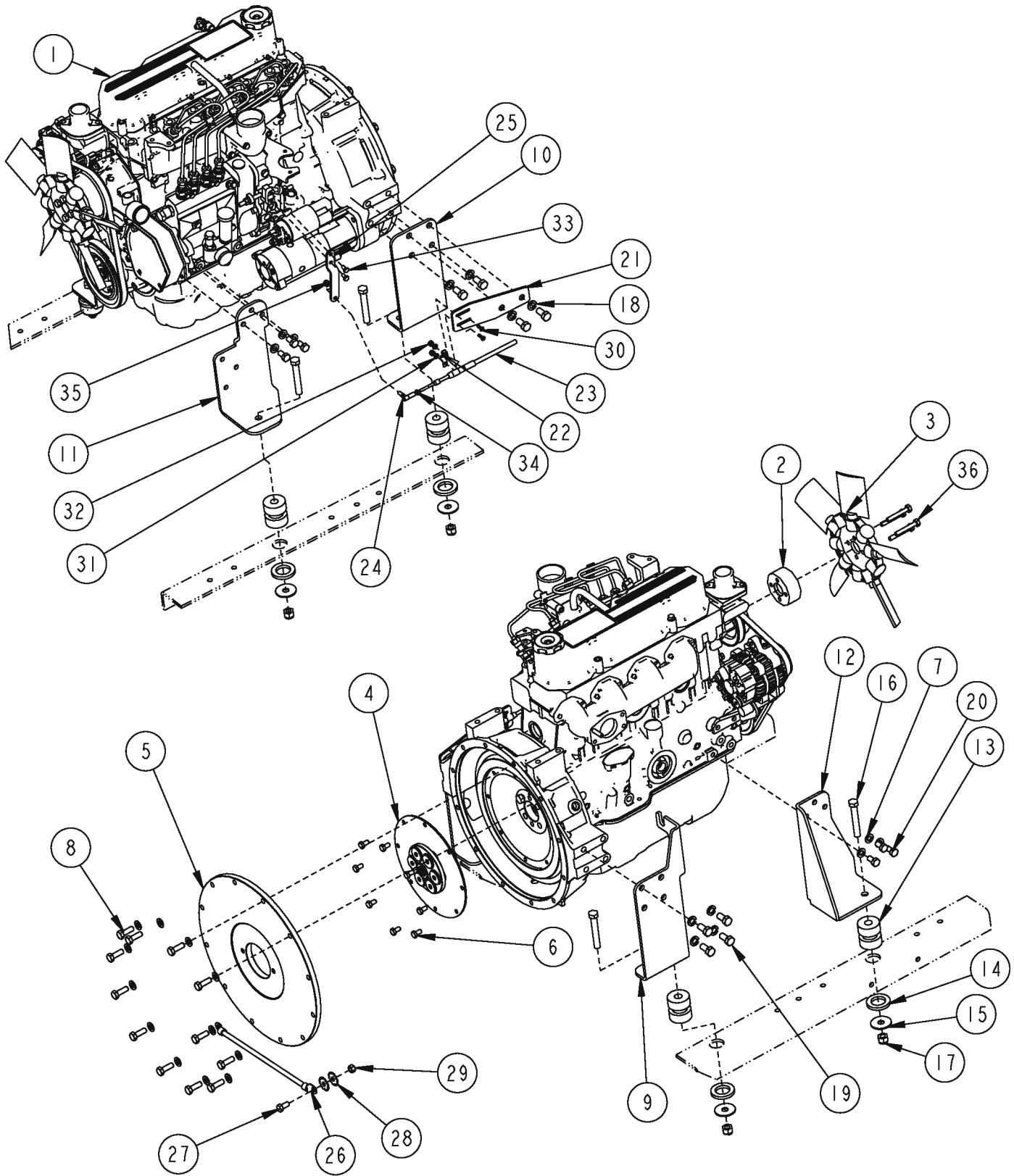
~Comes with Engine Assembly



08-11

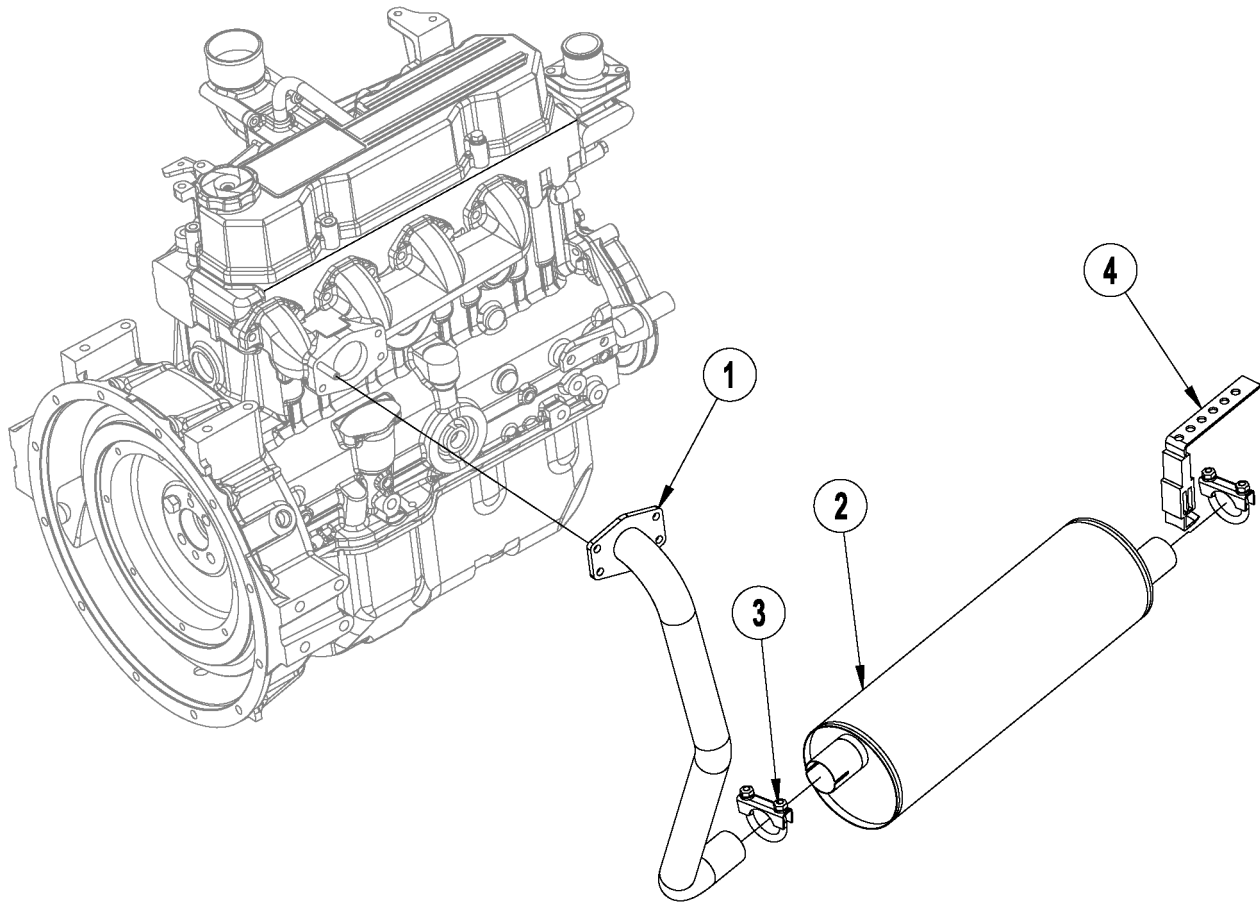
AIR CLEANER ASSEMBLY (GASOLINE/LPG/DIESEL)**4366XP****71**

| Item | Ref. No. | Qty | Description |
|------|------------|-----|---|
| 1 | 8-24-04093 | 2 | Clamp, Air Cleaner |
| 2 | 8-24-04100 | 1 | Air Cleaner Assembly |
| | 8-24-04106 | | Air Cleaner Element (exterior) |
| | 8-24-04111 | | Air Cleaner Element (interior) |
| 3 | 8-24-04092 | 1 | Filter, Dust Bowl |
| 4 | 2-00-03641 | 1 | Elbow, 1/8 NPT |
| 5 | | | Intentionally Omitted |
| 6 | 7-24-04087 | 1 | Filter Service Indicator 20" WC (Diesel) |
| | 56478461 | 1 | Indicator, Service (Gasoline / Petrol & LPG) |
| 7 | 8-33-02369 | 1 | Hose, Intake (Diesel) |
| 8 | 8-33-02412 | 1 | Hose, Intake (LPG) |
| 9 | 8-33-02413 | 1 | Hose, Intake (Gasoline / Petrol) |
| 10 | 7-21-04022 | 1 | Edging |
| 11 | 2-00-02217 | 2 | Clamp, Hose |
| 12 | 56516844 | 1 | Plate, Filter Assy. |
| 13 | 2-00-02196 | 2 | Carriage Bolt, 1/4-20 x 1.00 |
| 14 | 2-00-03027 | 2 | Screw, 1/4-20 x .63 Cap |
| 15 | 2-00-00518 | 4 | Lock Washer, 1/4 Helical Spring |
| 16 | 2-00-00594 | 4 | Nut, 1/4-20 Hex |



| Item | Ref. No. | Qty | Description | Item | Ref. No. | Qty | Description |
|------|------------|-----|--------------------------------------|------|------------|-----|--|
| 1 | 0777-052 | 1 | Engine Assy., Mitsubishi S4Q2 Diesel | * | 0775-287 | 1 | Alternator |
| 2 | 7-75-01248 | 1 | Spacer, S4Q2 Engine Fan | * | 7-23-00022 | 1 | Fan, S4Q2 Engine |
| 3 | 7-23-00022 | 1 | Fan, S4Q2 Engine | * | 2-00-05968 | 1 | Belt, Alternator/Fan |
| 4 | 7-16-05045 | 1 | Coupling, Engine | * | 7-60-05048 | 1 | Water Pump |
| 5 | 7-33-05144 | 1 | Casting, Pump Plate | * | 7-29-00339 | 1 | Gasket, Water Pump |
| 6 | 2-00-05963 | 8 | Screw, M8 x 1.25 x 15mm 8.8 Blox | * | 7-24-04097 | 1 | Oil Filter |
| 7 | 2-00-05042 | 18 | Lock Washer, M10 Helical Spring | * | 7-75-03005 | 4 | Glow Plug |
| 8 | 2-00-05961 | 12 | Screw, M10 x 1.25 x 30mm HHC | * | 7-64-00041 | 1 | Relay, Glow Plug (installed on wire harness) |
| 9 | 7-08-01192 | 1 | Bracket, Engine Mount | * | 7-64-00040 | 1 | Relay, Murphy (installed on wire harness) |
| 10 | 7-08-01193 | 1 | Bracket, Engine Mount | * | 0769-029 | 1 | Injector |
| 11 | 7-08-01194 | 1 | Bracket, Engine Mount | * | 7-29-00338 | 1 | Gasket, Cylinder Head |
| 12 | 7-08-01195 | 1 | Bracket, Engine Mount | * | 7-56-04071 | 1 | Pipe, Cylinder #1 |
| 13 | 7-35-00017 | 4 | Isolator, Engine Mount (Red Dot) | * | 7-56-04072 | 1 | Pipe, Cylinder #2 |
| 14 | 2-00-05955 | 4 | Washer, 1.25 ID x 2.00 OD x .25 | * | 7-56-04073 | 1 | Pipe, Cylinder #3 |
| 15 | 2-00-05067 | 4 | Spacer, Snubbing Washer | * | 7-56-04074 | 1 | Pipe, Cylinder #4 |
| 16 | 2-00-02617 | 4 | Screw, 1/2-13 x 3.5 LG SS | * | 7-56-04079 | 1 | Pipe, Fuel Leak-Off |
| 17 | 2-00-04936 | 4 | Nut, 1/2-13 Elastic Lock | * | 7-29-00312 | 1 | Gasket, Thermostat |
| 18 | 2-00-05043 | 8 | Washer, 25/64 ID x 3/4 OD Plain | * | 7-84-08016 | 1 | Thermostat |
| 19 | 2-00-05957 | 8 | Screw, M12 x 1.75 x 25mm HHC | * | 0775-285 | 1 | Starter |
| 20 | 2-00-05958 | 6 | Screw, M10 x 1.25 x 20mm HHC | * | 7-24-04088 | 1 | Element, Water Separator |
| 21 | 8-08-00938 | 1 | Bracket, Throttle | * | 7-24-04089 | 1 | Element, Fuel Filter |
| 22 | 8-13-07094 | 1 | Clamp, Conduit | * | 8-24-04100 | 1 | Air Cleaner Assembly |
| 23 | 7-10-00024 | 1 | Cable, Throttle (80") | * | 8-24-04106 | 1 | Air Filter Element (exterior) |
| 24 | 8-25-02036 | 1 | Connector, Ball Joint | * | 8-24-04111 | 1 | Air Filter Element (interior) |
| 25 | 8-03-04321 | 1 | Arm, Throttle | * | 7-82-00052 | 1 | Switch, Water Temperature |
| 26 | 8-90-07328 | 1 | Wire, Ground to Frame | * | 7-82-00055 | 1 | Switch, Oil Pressure (for Murphy Shutdown) |
| 27 | 2-00-00232 | 1 | Bolt, 3/8-16 Fin. Hex Head | * | 56504421 | 1 | Shutdown Solenoid & Linkage |
| 28 | 2-00-03829 | 2 | Lock Washer, 3/8 Int./Ext. Tooth | * | 56504455 | 1 | Piston Ring Set |
| 29 | 2-00-02360 | 1 | Nut, 3/8-16 Hex | * | 56504456 | 1 | Con Rod Bushing |
| 30 | 2-00-04794 | 2 | Screw, #10-24 x .63 BHS | * | 56504485 | 1 | Manifold-Exhaust S4Q2 |
| 31 | 2-00-00426 | 2 | Flat Washer, .500 x .219 x .063 | * | 56504486 | 1 | Gasket-Manifold to Head |
| 32 | 2-00-01246 | 2 | Nut, #10-24 Elastic Stop | * | 56504487 | 1 | Gasket-Manifold to Pipe |
| 33 | 2-00-05528 | 2 | Screw, M6 x1.0 x 12mm HHC | | | | |
| 34 | 2-00-00626 | 1 | Nut, 10-32 | | | | |
| 35 | 2-00-00633 | 1 | Nut, 1/4-28 Fiber Insert | | | | |
| 36 | 2-00-05981 | 4 | Screw, M8 x 1.25 x 55mm HHC | | | | |

* = Not Shown



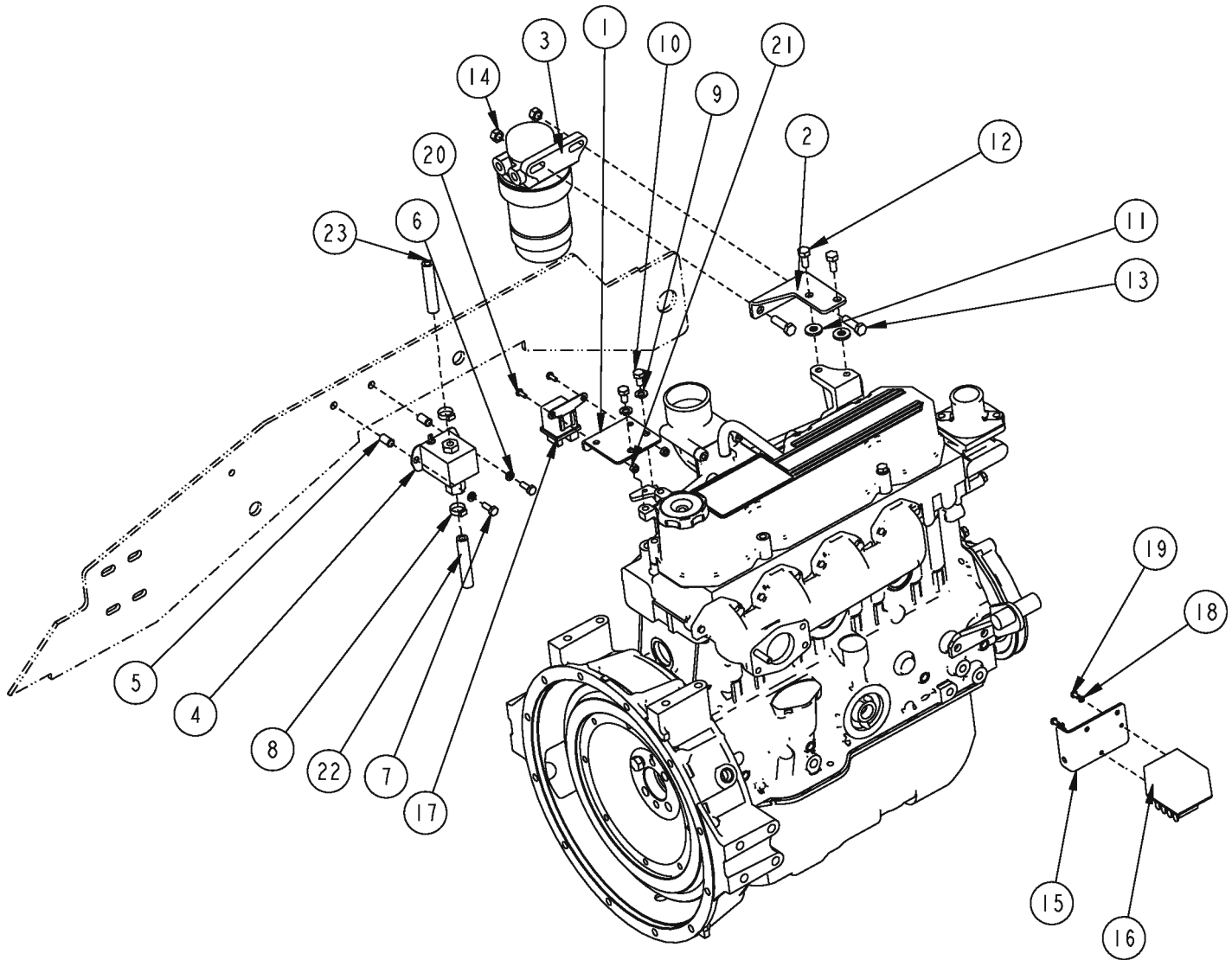
08-11

MITSUBISHI S4Q2 - DIESEL ENGINE (EXHAUST SYSTEM)

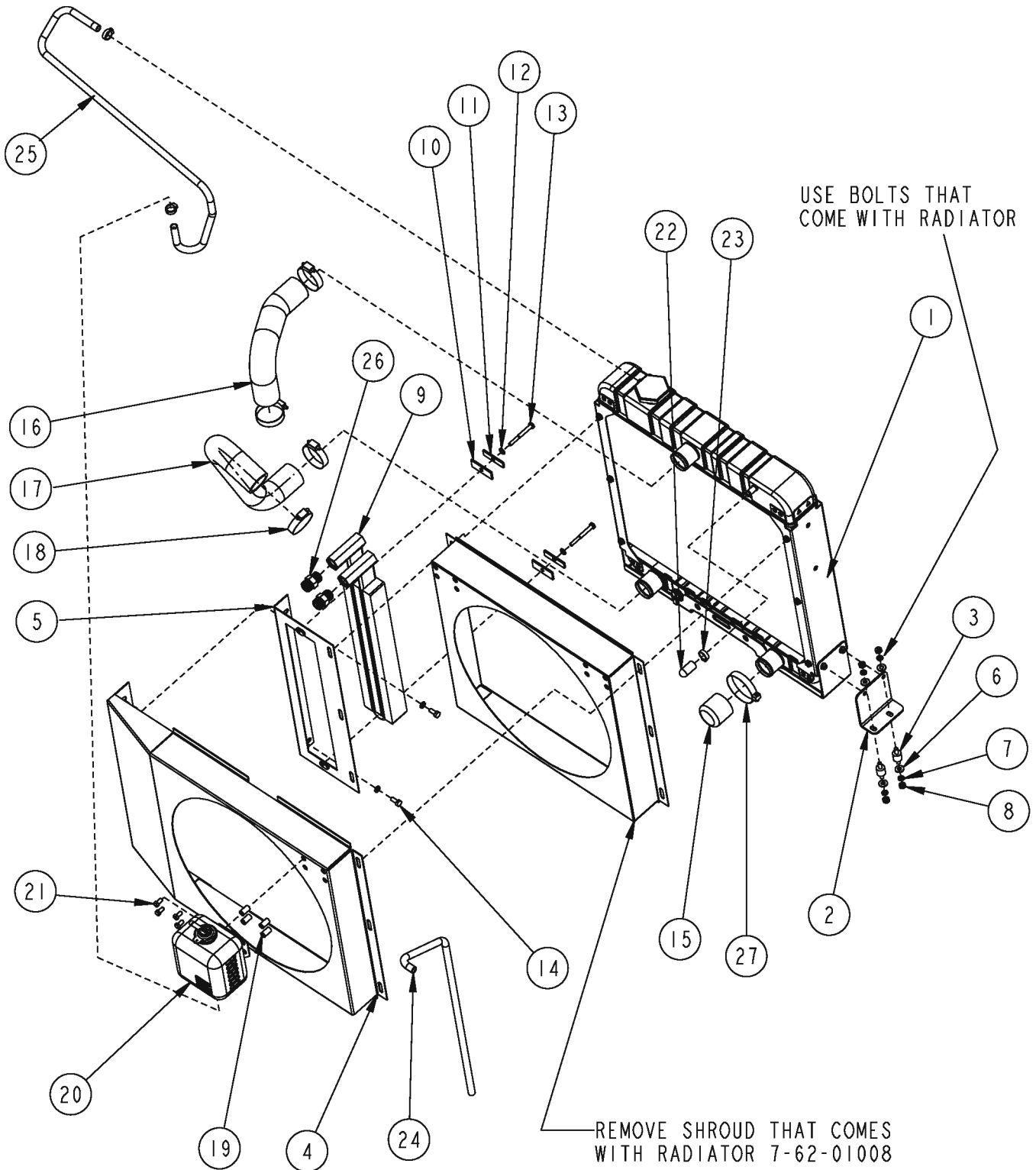
4366XP

75

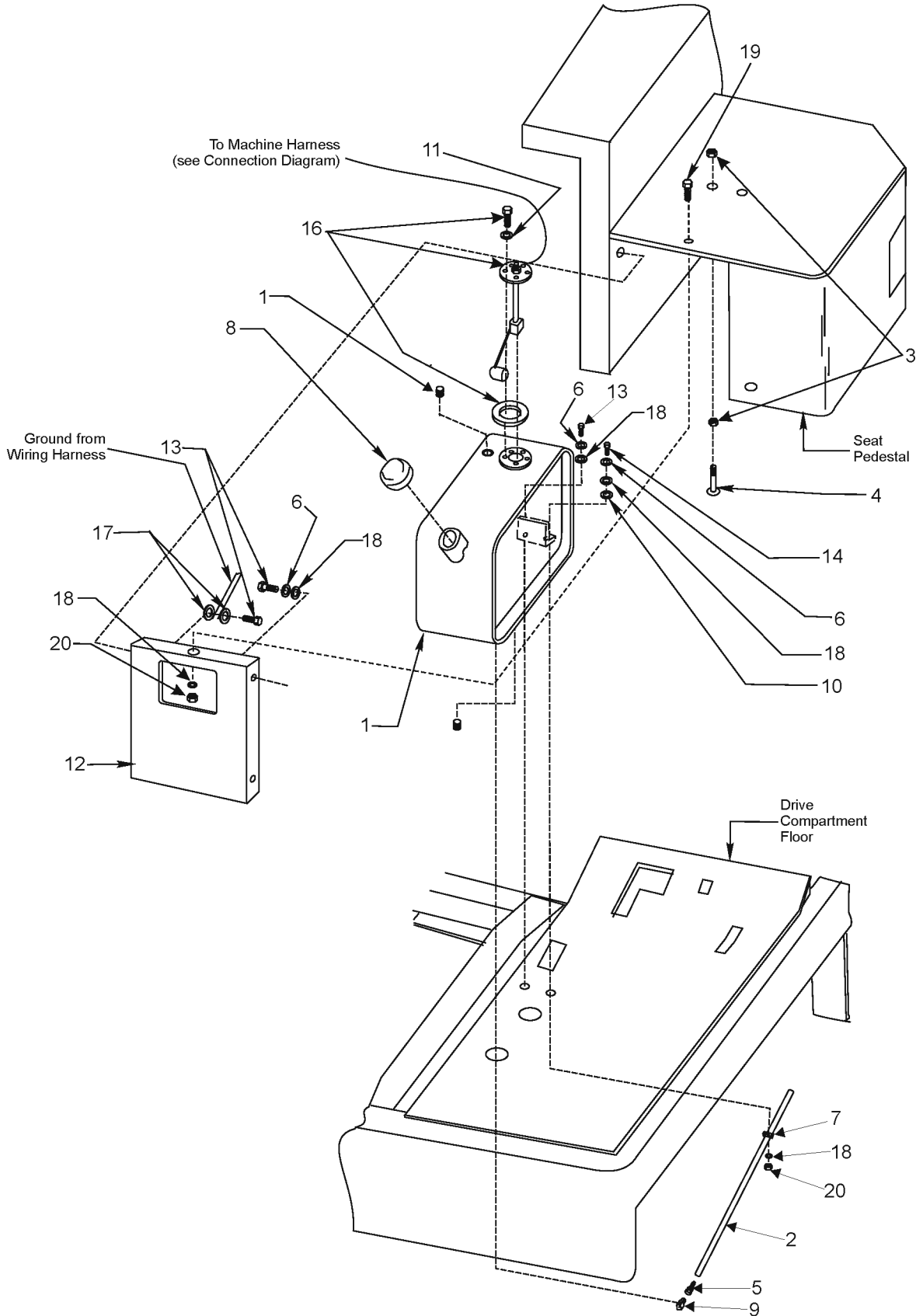
| Item | Ref. No. | Qty | Description |
|------|------------|-----|---------------------|
| 1 | 7-87-02933 | 1 | Tube, Exhaust |
| 2 | 7-49-00031 | 1 | Muffler |
| 3 | 2-00-04040 | 2 | Clamp, 1/4" Muffler |
| 4 | 7-31-07017 | 1 | Hanger, Muffler |



| Item | Ref. No. | Qty | Description |
|------|------------|-----|----------------------------------|
| 1 | 8-08-00939 | 1 | Bracket, Murphy |
| 2 | 8-08-00940 | 1 | Bracket, Fuel Filter |
| 3 | 7-24-04078 | 1 | Filter, Diesel Fuel |
| 4 | 8-60-05028 | 1 | Pump, Fuel |
| 5 | 2-00-05261 | 2 | Insert, 1/4-20 Threaded |
| 6 | 2-00-00518 | 2 | Lock Washer, 1/4" Helical Spring |
| 7 | 2-00-00221 | 2 | Bolt, 1/4-20 x .75 Fin. Hex Head |
| 8 | 2-00-04388 | 2 | Clamp, Hose |
| 9 | 2-00-05041 | 2 | Lock Washer, M8 Helical Spring |
| 10 | 2-00-05963 | 2 | Screw, M8 x 1.25 x 15mm 8.8 Blox |
| 11 | 2-00-04801 | 2 | Flat Washer, 1.00 x .39 x .06 |
| 12 | 2-00-04363 | 2 | Screw, M8 x 1.25 x 20mm |
| 13 | 2-00-00209 | 2 | Bolt, 3/8-16 x 1.25 Hex Head |
| 14 | 2-95-04182 | 2 | Nut, 3/8-16 Hex Stop |
| 15 | 8-08-00936 | 1 | Bracket, Murphy |
| 16 | 7-64-00040 | 1 | Relay, Glow Plug |
| 17 | 7-64-00041 | 1 | Relay, Murphy |
| 18 | 2-00-00512 | 2 | Star Washer |
| 19 | 2-00-00052 | 2 | Screw, #10-24 x .38 RHMS |
| 20 | 2-00-00049 | 2 | Screw, 10-24 x .50 RHM |
| 21 | 2-00-01246 | 2 | Nut, #10-24 Elastic Stop |
| 22 | 8-33-02338 | 1 | Hose, Fuel |
| 23 | 8-33-02154 | 1 | Hose, Fuel |



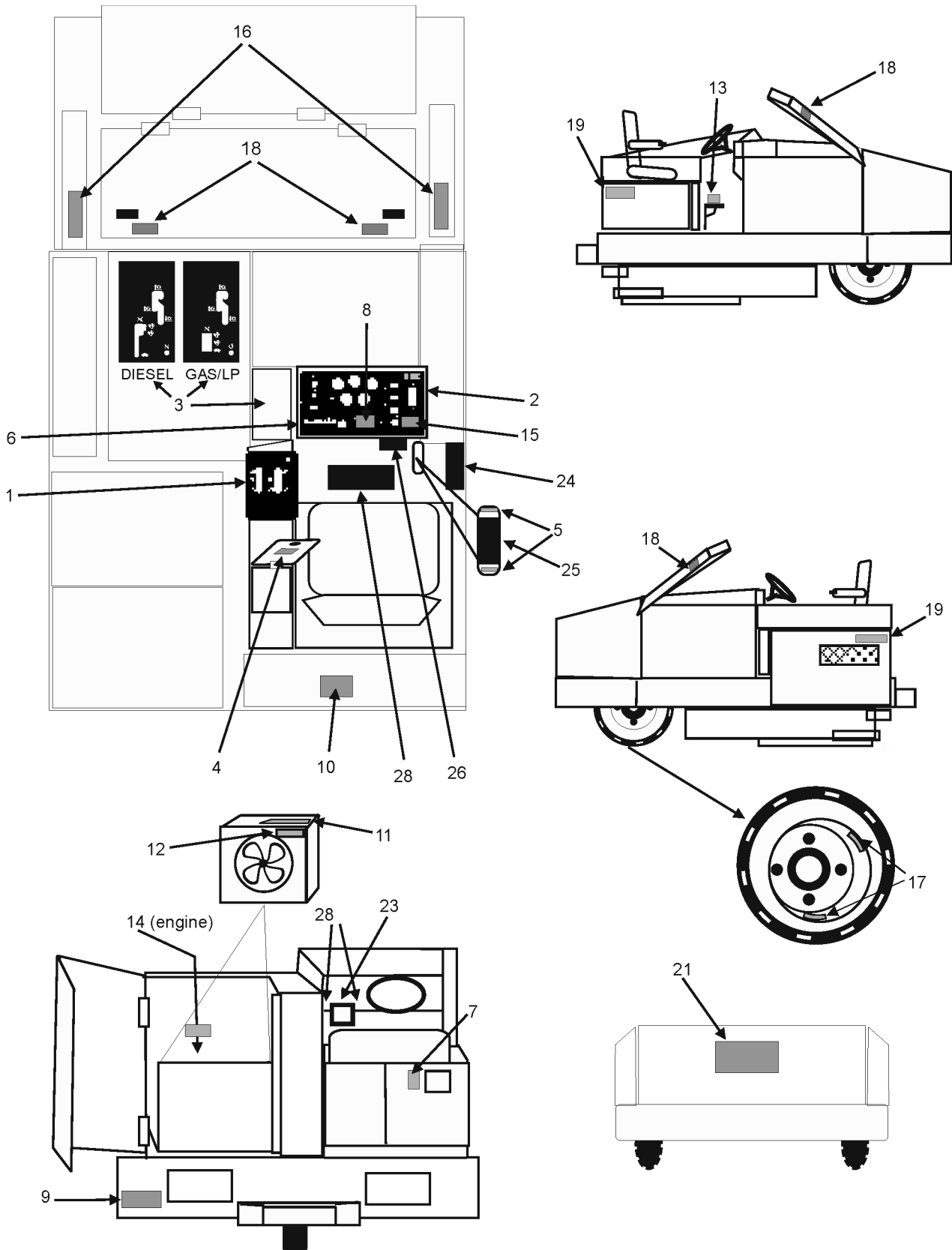
| Item | Ref. No. | Qty | Description |
|------|------------|-----|--|
| 1 | 7-62-01008 | 1 | Radiator |
| 2 | 8-08-00946 | 1 | Bracket, Radiator Mounting |
| 3 | 8-50-05053 | 2 | Isolator, Radiator Mount |
| 4 | 8-72-00020 | 1 | Shroud, Radiator |
| 5 | 8-72-00019 | 1 | Shroud, Oil Cooler |
| 6 | 2-00-03702 | 4 | Washer, .625 x .281 x .063 |
| 7 | 2-00-00501 | 4 | Washer, .25 ID x .44 OD x .046 |
| 8 | 2-00-00594 | 4 | Nut, 1/4-20 Hex |
| 9 | 8-62-01018 | 1 | Oil Cooler |
| 10 | 7-29-00192 | 2 | Gasket, Oil Cooler |
| 11 | 8-13-07088 | 2 | Clip |
| 12 | 2-00-00518 | 4 | Lock Washer, 1/4" Helical Spring |
| 13 | 2-00-00246 | 2 | Bolt, 1/4-20 x 2.25 Hex Head |
| 14 | 2-00-00220 | 2 | Screw, 1/4-20 x .625 HHC |
| 15 | 2-00-05956 | 1 | Plug, Radiator Outlet |
| 16 | 8-33-02367 | 1 | Hose, Upper Radiator |
| 17 | 7-33-02615 | 1 | Hose, Lower Radiator |
| 18 | 2-00-03404 | 4 | Clamp |
| 19 | 2-00-05261 | 4 | Insert, 1/4-20 Threaded |
| 20 | 7-07-02002 | 1 | Overflow Bottle Assy. (1 liter) |
| 21 | 2-00-00219 | 4 | Bolt, 1/4-20 Fin. Hex Head |
| 22 | 2-00-05985 | 1 | Cap, 3/8 ID x 1 Inside Length (Rubber) |
| 23 | 2-00-05363 | 3 | Clamp, Hose |
| 24 | 7-33-02724 | 1 | Hose, 1/4" ID x 28" long (Clear) |
| 25 | 7-33-02643 | 1 | Hose, 1/4" ID x 36" long (Black) |
| 26 | 2-00-04970 | 2 | Fitting, Str. -8 ORS x -8 SAE |
| 27 | 2-00-02216 | 1 | Clamp, Hose |



08-11

FUEL TANK (DIESEL)**4366XP****81**

| Item | Ref. No. | Qty | Description |
|------|------------|-----|-------------------------------------|
| 1 | 8-83-04029 | 1 | Fuel Tank |
| 2 | 8-33-02338 | REF | Hose, Fuel |
| 3 | 2-00-02369 | 2 | Nut, Hex Jam 3/8 - 16 x .562 x .218 |
| 4 | 7-50-05144 | 1 | Pad |
| 5 | 2-00-04618 | 1 | Barb Fitting |
| 6 | 2-00-00518 | 5 | Lock Washer, Helical Spring 1/4 Med |
| 7 | 2-00-04602 | 1 | Clamp, Fuel Line |
| 8 | 7-11-00029 | 1 | Fuel Tank Cap |
| 9 | 8-56-05021 | 1 | Fitting |
| 10 | 2-00-03829 | 1 | Star Washer |
| 11 | 2-00-00512 | 1 | Star Washer |
| 12 | 56516835 | 1 | Rear Wall, Seat Compartment |
| 13 | 2-00-00221 | 5 | Screw, 1/4-20 x 3/4 HHC |
| 14 | 2-00-00205 | 1 | Screw, 1/4-20 x 1.0 HHC |
| 16 | 8-26-04003 | 1 | Float, Fuel Tank Sender |
| 17 | 2-00-00503 | 2 | Lock Washer, 1/4 Int/Ext |
| 18 | 2-00-03702 | 7 | Flat Washer, 1/4 |
| 19 | 2-00-00183 | 1 | Screw, 1/4-20 x 3/4 THM |
| 20 | 2-00-00641 | 2 | Lock Nut, 1/4-20 |

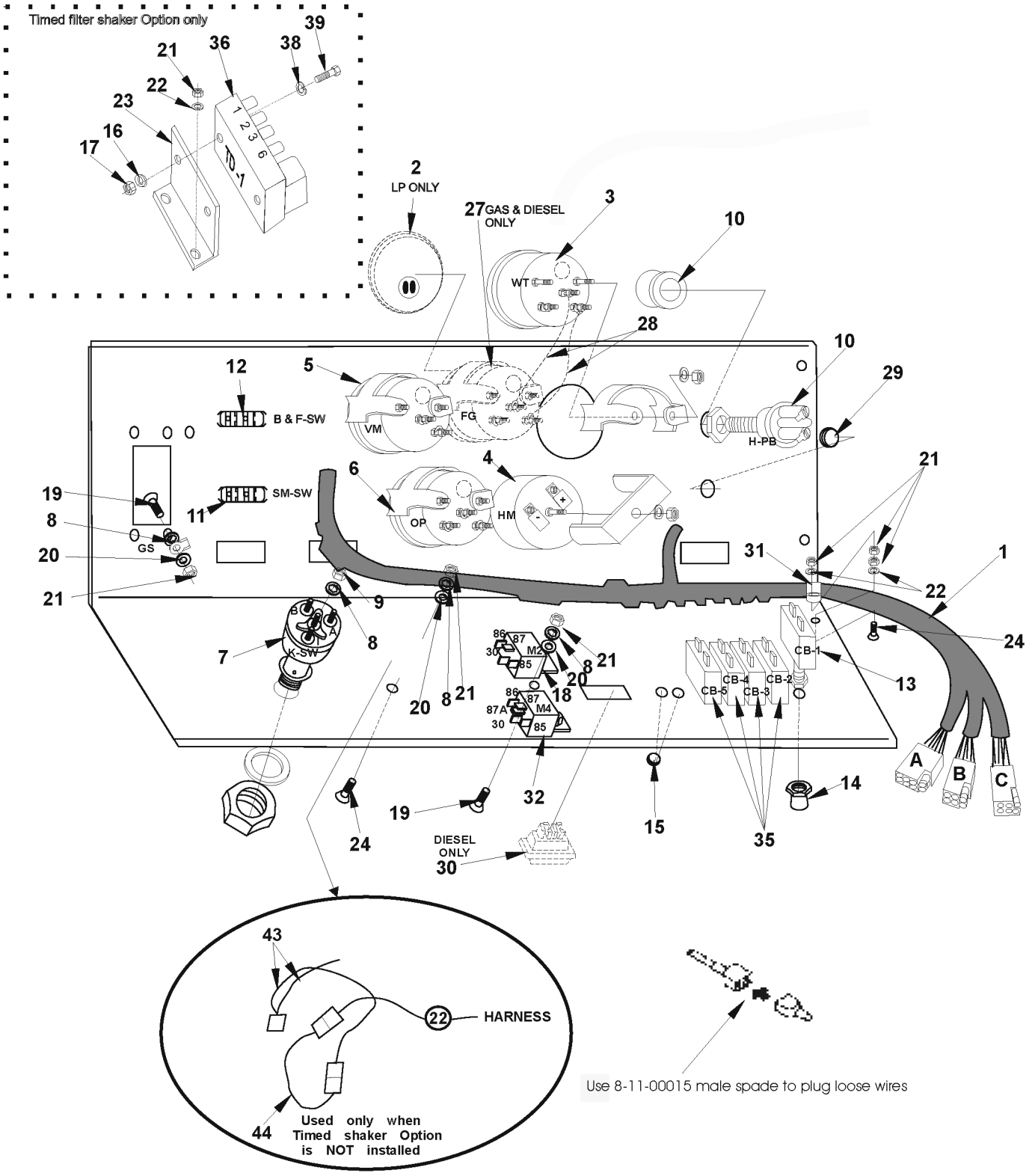


| Item | Ref. No. | Qty | Description |
|------|------------|-----|--|
| 1 | 8-18-00518 | 1 | Hopper Controls |
| 2 | 8-18-00512 | 1 | Instrument Panel |
| 3 | 8-18-00519 | 1 | Main Broom & Throttle (Diesel only) |
| | 8-18-00555 | 1 | Main Broom & Throttle (Gas/LPG only) |
| 4* | REF | 1 | Hydraulic Fluid Only |
| 5 | 8-18-00490 | 1 | Bi-directional Pedal (horizontal) |
| 6 | 8-18-00487 | 1 | Blank Squares - Option Cover |
| 7< | REF | 1 | Gasoline Only |
| | 56109404 | 1 | Decal, Low Sulfur Diesel (Diesel Only) |
| 8*< | REF | 1 | Do Not Use With Flammables |
| 9*< | REF | 1 | Exhaust Warning |
| 10< | REF | 1 | Fire Hazard |
| 11< | REF | 1 | Moving Belts - Stay Clear |
| 12< | REF | 1 | Moving Fan Blade-Stay Clear |
| 13*< | REF | 1 | Patent/Patent Pending |
| 14< | REF | 1 | Surface Hot - Stay Clear |
| 15< | REF | 1 | Turn Off - Lock Wheel |
| 16*< | REF | 2 | Put Hopper in Forward Dump Position |
| 17*< | REF | 3 | Split rim (Pneumatic Tire) |
| 18< | REF | 4 | Pinch Point - Stay Clear |
| 19 | 56516852 | 2 | DECAL-4366XP |
| 21 | 56515795 | 1 | Decal-American-Lincoln |
| 23 | REF | 1 | Serial Number Plate |
| 24 | 7-50-05136 | 1 | Non-Skid, Frame Edge |
| 25 | 8-50-05055 | 1 | Non-Skid, Forward/Reverse Pedal |
| 26 | 8-50-05050 | 1 | Non-Skid, Brake Pedal |
| 27 | 8-50-05052 | 1 | Non-Skid, Drive Compartment Floor |
| 28 | 2-00-04115 | 2 | Pop Rivet |

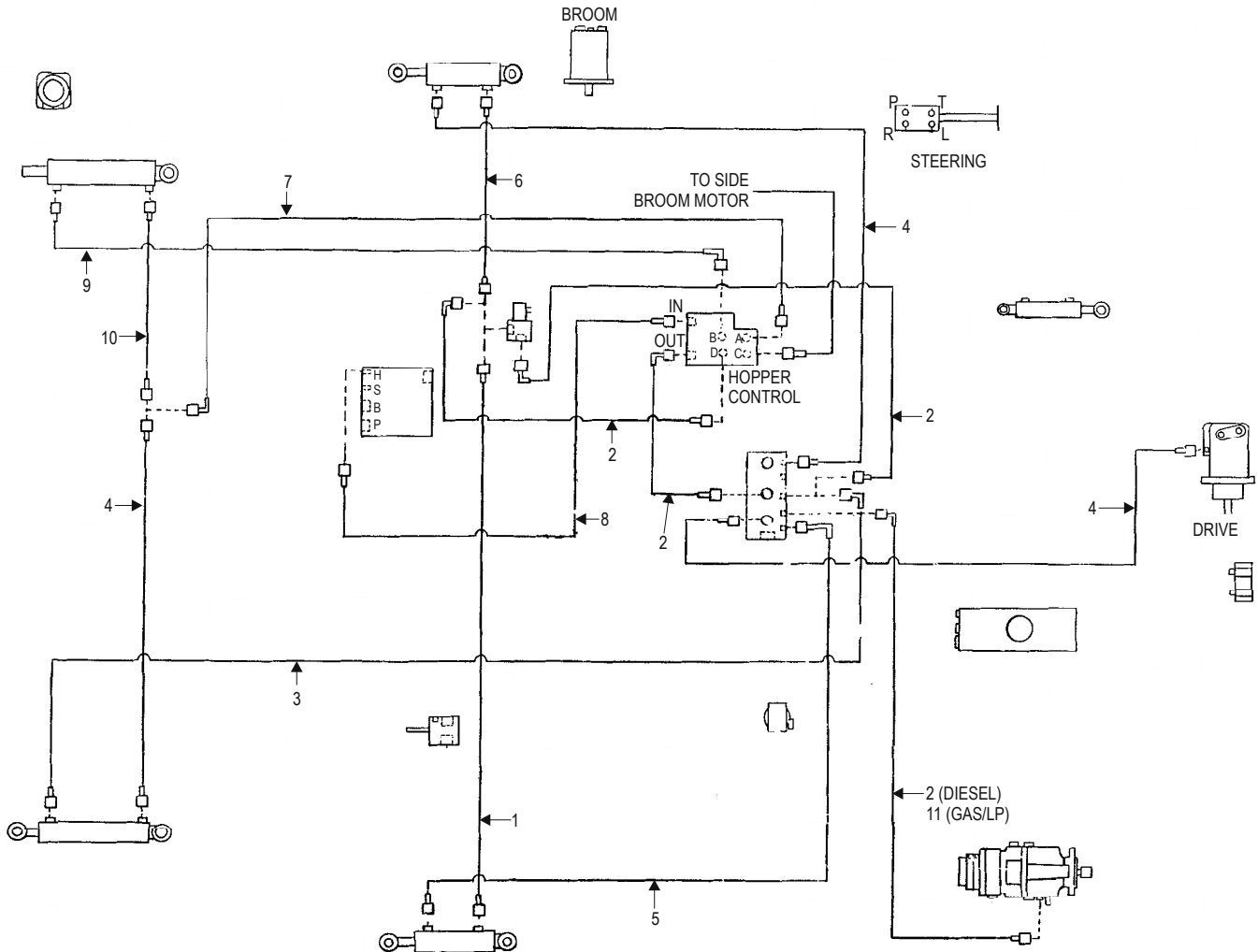
<English Text and No-text warning decals contained in kit 0760-871

*ALL WARNING/SAFETY DECALS WITH TEXT SOLD IN A KIT BY LANGUAGE:

| | | | |
|-----------|----------|------------|----------|
| DANISH | 0760-850 | ITALIAN | 0760-851 |
| DUTCH | 0760-849 | FRENCH | 0760-847 |
| NORWEGIAN | 0760-852 | SPANISH | 0760-846 |
| SWEDISH | 0760-853 | PORTUGUESE | 0760-854 |
| GERMAN | 0760-848 | | |



| Item | Ref. No. | Qty | Description |
|------|------------|-----|--|
| 1 | 0895-132 | 1 | Instrument Panel Harness |
| 2 | 7-11-04035 | 1 | Kit, Low LP Indicator Light (LP only) |
| 3 | 8-48-05028 | 1 | Water Temperature Gauge |
| 4 | 56478363 | 1 | Hour Meter Gauge |
| 5 | 8-48-00016 | 1 | Volt Meter Gauge |
| 6 | 8-48-05027 | 1 | Oil Pressure Gauge |
| 7 | 7-82-00026 | 1 | Key Switch (Key only: 2-60-02272) |
| 8 | 2-00-00512 | 8 | Lock Washer #10 Int |
| 9 | 2-00-04694 | 4 | Nut, Hex MS #10 - 32 x .375 x .125 |
| 10 | 8-82-00024 | 1 | Horn Push Button |
| 11 | 8-82-00062 | 1 | Switch - SPST (Momentary) ON-OFF |
| 12 | 8-82-00059 | 1 | Switch - SPST ON-OFF |
| 13 | 7-64-00025 | 1 | Circuit Breaker (25 Amp) |
| 14 | 8-11-00044 | 5 | Boot (Circuit Breaker) |
| 15 | 2-00-04757 | 2 | Plug Button, .375 Circuit Breaker |
| 16 | 2-00-01499 | 2 | Lock Washer, #6 |
| 17 | 2-00-00624 | 2 | Nut, Hex #6-32 |
| 18 | 8-64-00012 | 1 | Shaker Motor Relay |
| 19 | 2-00-03063 | 3 | Screw, #10 - 24 x .750 THM |
| 20 | 2-00-00466 | 4 | Flat Washer, .625 x .203 x .031 |
| 21 | 2-00-00605 | 12 | Nut, Hex MS #10 - 24 x .375 x .125 |
| 22 | 2-00-00519 | 8 | Lock Washer, Helical Spring #10 Med |
| 23 | 8-08-00748 | 1 | Relay Bracket |
| 24 | 2-00-04897 | 2 | Screw, #10 - 24 x 1.250 THM |
| 27 | 8-48-05032 | 1 | Fuel Gauge (Gas & Diesel only) |
| 28 | 8-90-07357 | 2 | Wire, W.T. Gauge to F.G. (Gas & Diesel only) |
| 29 | 2-00-04942 | 2 | Plug Button, .530 (Light Switch) |
| 30 | 8-82-00062 | 1 | Switch -SPST (Momentary)ON-OFF (Diesel) |
| 31 | 2-00-04937 | 1 | Tie Cable |
| 32 | 8-64-05009 | 1 | Relay, Broom and Fan |
| 33 | 2-00-03061 | 9 | Screw, #10 - 24 x .500 THM |
| 35 | 8-64-00008 | 4 | Circuit Breaker (15 AMP) |
| 36 | 8-64-05011 | 1 | Relay (20 Sec. Time Delay) (Option) |
| 38 | 2-00-00455 | 2 | Flat Washer, #6 |
| 39 | 2-00-00067 | 2 | Screw, #6-32 x 1.00 RHM |
| 43 | 8-90-07361 | 1 | Wire - TD-1 #6 to #7 to M2 #86 to M4 #68 |
| 44 | 8-90-07385 | 1 | Wire - Jumper |



08-11

HYDRAULIC HOSE SYSTEM**4366XP****87**

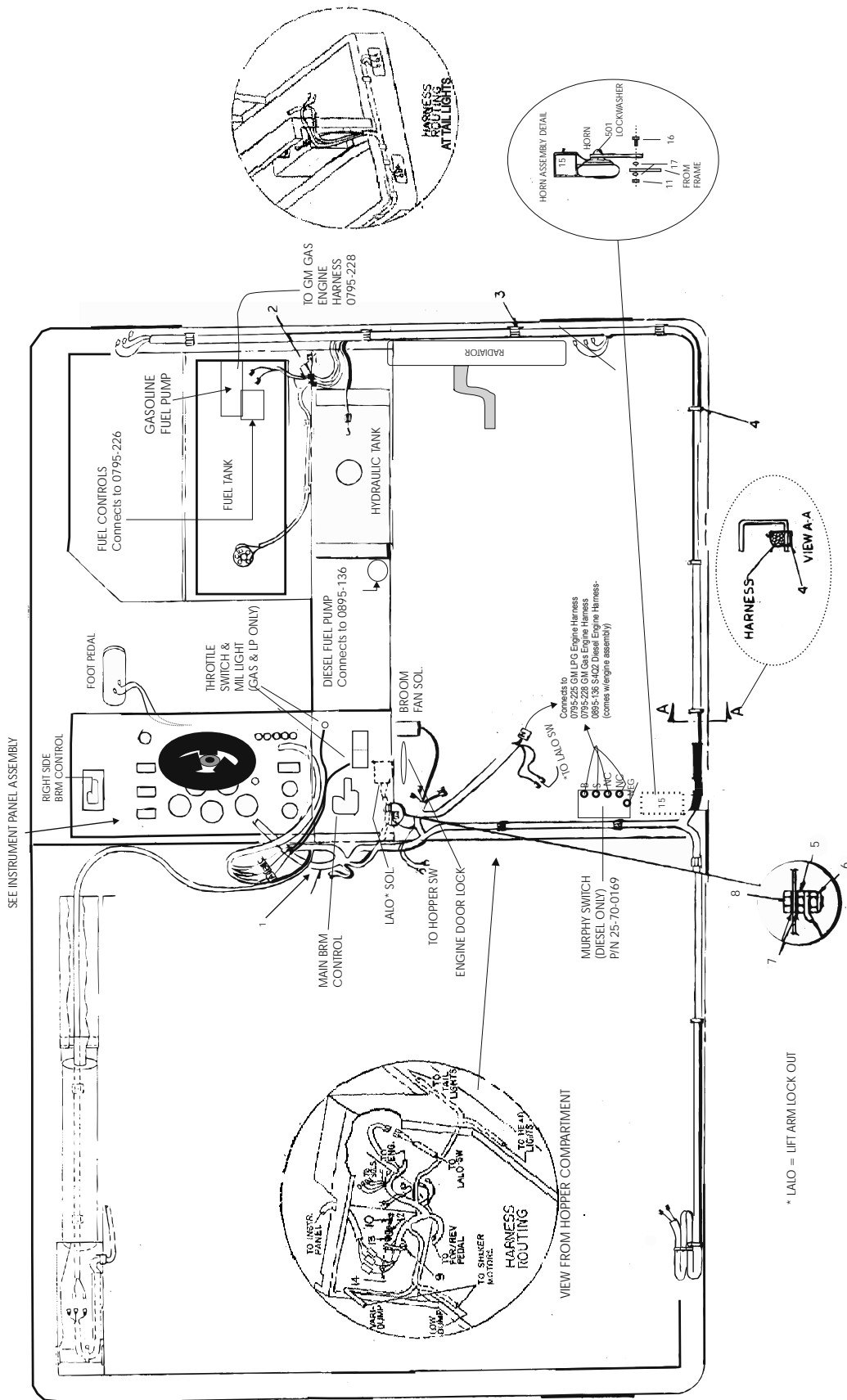
| Item | Ref. No. | Qty | Description |
|------|------------|-----|--|
| 1* | 8-33-02184 | 1 | Hose, #4 x 50.5" -0-0-ORS-1WB |
| 2* | 7-33-02225 | 3 | Hose, #4 x 38.0" -0-90-ORS-1WB |
| 3* | 8-33-02198 | 1 | Hose, #4 x 107.0" -0-90-ORS-1WB |
| 4* | 8-33-02185 | 3 | Hose, #4 x 56.0" -0-0-ORS-1WB |
| 5* | 7-33-02193 | 1 | Hose, #4 x 49.0" -0-90-ORS-1WB |
| 6* | 8-33-02217 | 1 | Hose, #4 x 32.0" -0-0-ORS-1WB |
| 7* | 8-33-02174 | 1 | Hose, #4 x 16.5" -0-90-ORS-1WB |
| 8 | 8-33-02178 | REF | Hose, #4 x 15.0" -0-0-ORS-1WB |
| 9* | 8-33-02204 | 1 | Hose, #4 x 76.0" -0-90-ORS-1WB |
| 10* | 8-33-02179 | 1 | Hose, #4 x 46.0" -0-0-ORS-1WB |
| 11 | 8-33-02329 | 1 | Hose, #4 x 30.0" -0-0-90-ORS-1WB (Diesel Only) |

*Part of Hose Kit 0860-753

| Item | Ref. No. | Qty | Description |
|------|------------|-----|---------------------------------|
| 1*< | 8-33-02267 | 2 | Hose, #8 x 62.0" -0-0-ORS-2WB |
| 2*< | 7-33-02189 | 1 | Hose, #4 x 26.0" -0-90-ORS-1WB |
| 3* | 8-33-02215 | 1 | Hose, #12 x 36.0" -0-0-ORS-1WB |
| 4*< | 8-33-02265 | 2 | Hose, #8 x 23.0" -0-45-ORS-2WB |
| 5 | 8-33-02273 | 1 | Hose, 1 x 15.0" Return |
| 6*< | 8-33-02418 | 1 | Hose, #8 x 52.0" -0-90-ORS-1WB |
| 7 | 7-33-02317 | 1 | Hose, 1 x 15.0" Return |
| 8*< | 8-33-02553 | 1 | Hose, #8 x 90.0" -0-0-ORS-2WB |
| 9*< | 7-33-02190 | 3 | Hose #4 x 67.0" -0-90-ORS-1WB |
| 10*< | 7-33-02200 | 1 | Hose, #4 x 56.0" -0-90-ORS-1WB |
| 11*< | 8-33-02278 | 1 | Hose, #4 x 130.0" -0-0-ORS-1WB |
| 12*< | 8-33-02195 | 1 | Hose, #8 x 69.5" -0-0-ORS-2WB |
| 13*< | 7-33-02193 | 1 | Hose, #4 x 49.0" -0-90-ORS-1WB |
| 14*< | 7-33-02206 | 1 | Hose, #8 x 14.25" -0-90-ORS-1WB |
| 15*< | 8-33-02277 | 1 | Hose, #4 x 110.0" -0-0-ORS-1WB |
| 16< | 8-33-02191 | 1 | Hose, #8 x 56.5" -0-0-ORS-2 WB |
| 17*< | 8-33-02178 | 1 | Hose, #4 x 15.0" -0-0-ORS-1WB |
| 18< | 8-33-02194 | 1 | Hose, #12 x 32.0" -0-0-ORS-1WB |
| 19*< | 8-33-02217 | 1 | Hose, #4 x 32.0" -0-0-ORS-1WB |
| 20* | 8-33-02196 | 1 | Hose, #8 x 75.5" -0-0-ORS-2WB |

*PART OF HOSE KIT 0860-755 (GAS/LP MODELS)

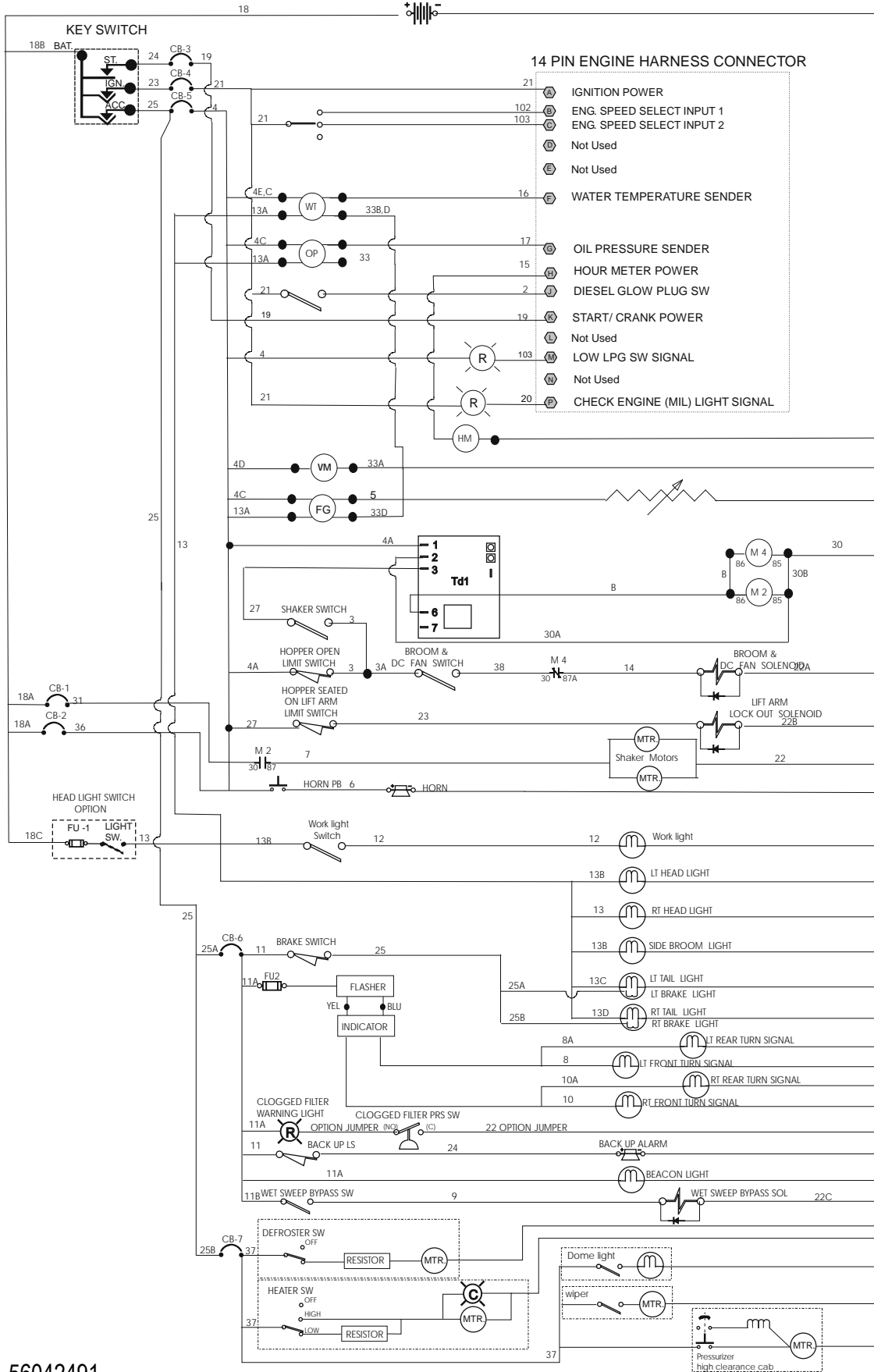
<PART OF HOSE KIT 0860-756 (DIESEL MODELS)

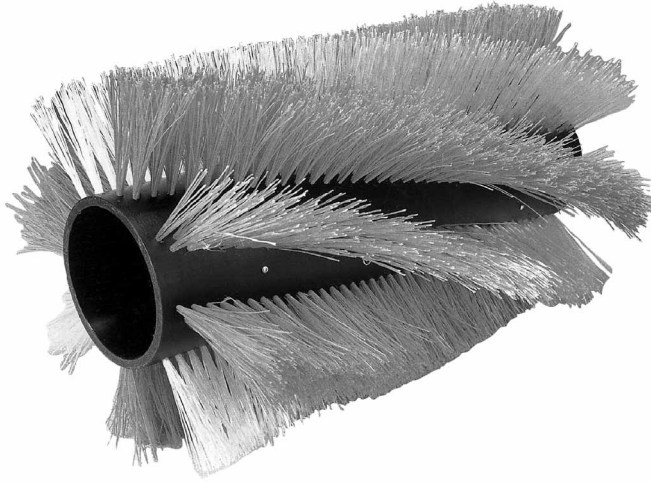


08-11

HARNESS ROUTING - GAS/LP/DIESEL**4366XP****91**

| Item | Ref. No. | Qty | Description |
|------|------------|-----|---------------------------------|
| 1 | 0895-131 | 1 | Machine Harness |
| 2 | 8-09-01081 | 2 | Bushing, Snap |
| 3 | 7-13-07096 | 17 | Clamp, Adjustable |
| 4 | 2-00-04345 | 5 | Ty-Rap |
| 5 | 2-00-00594 | 1 | Nut, 1/4-20 Hex |
| 6 | 2-00-00641 | 1 | Nut, 1/4-20 Fiber Lock |
| 7 | 2-00-00503 | 2 | Washer, 1/4 Int. - Ext. |
| 8 | 2-00-00205 | 1 | Screw, 1/4-20 x 1.0 HHC |
| 9 | 2-00-04937 | 1 | Cable Tie |
| 10 | 2-00-03063 | 1 | Screw, 10-24 x 3/4 THM |
| 11 | 2-00-00585 | 1 | Nut, Hex 5/16-18 x .500 x .265 |
| 12 | 2-00-00519 | 1 | Lock Washer, #10 Helical Spring |
| 13 | 2-00-00605 | 1 | Nut, #10-24 x .375 x .125 Hex |
| 14 | 2-00-01246 | 1 | Nut, #10-24 Fiber Lock |
| 15 | 8-32-09013 | 1 | Horn |
| 16 | 2-00-00208 | 1 | Screw, 5/16-18 x 3/4 HHC |
| 17 | 2-00-02303 | 2 | Lock Washer, 5/16 |



**Main Broom:****PN8-08-03202 Proex & Wire (STD.) (8 Double Rows)**

This broom has a more aggressive cleaning action, used to pick up heavier debris.

PN8-08-03207 Nylon (Optional) (8 Double Rows)

General purpose broom that can be used for all types of light soil. High wear material so uneven surfaces do not cause excessive wear. Nylon has a high heat deflection temperature, is chemical resistant and will absorb water in wet conditions.

Truly a general purpose broom.

PN8-08-03204 Proex (Optional) (8 Double Rows)

Synthetic fiber made of polypropylene designed to pick up paper, gravel, sand and other lighter less bulky litter.

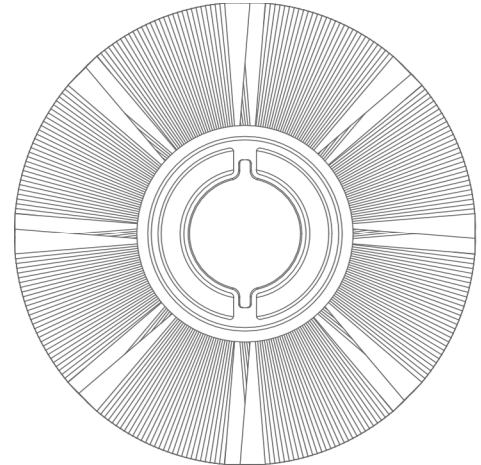
PN8-08-03210 High Density Fibre/Wire (Optional)

Fiber and wire bristles offer dust control from the natural vegetable fibers and a light cutting action from the crinkle wire. Designed for applications with fine dust and light compacted soilage.

PN8-08-03214 Polypropylene & Wire (Optional) (8 Double Row)**PN8-08-03209 Polypropylene (Optional) (8 Double Row)****8 Double Row**

Length.....**50" (127 cm)**

Diameter.....**16" (40.6 cm)**

**Side Broom:****PN8-08-03211 Nylon (STD)**

The side broom function is to sweep the dirt and debris away from the curb, wall, pallet, etc. into the path of the main broom.

PN8-08-03212 Polypropylene (Optional)**PN0880-439 Wire Side Broom (Optional / broom and hardware)**

Diameter.....**21" (53.34 cm)**

American-Lincoln®

14600 21st Avenue North
Plymouth, MN 55447-3408
www.americanlincoln.com
Phone: 800-331-7692
Fax: 877-877-2586
©2008 American-Lincoln