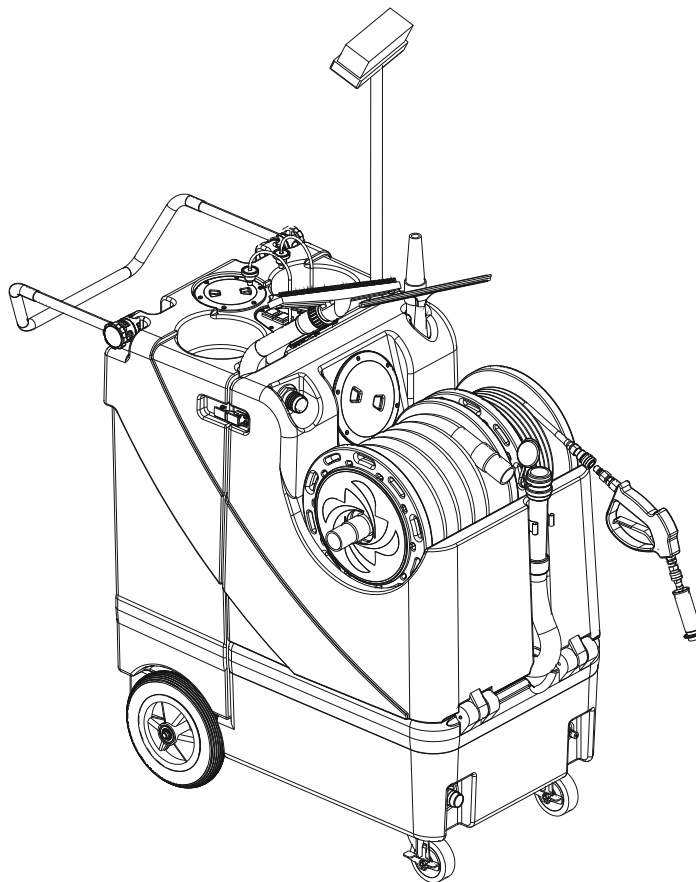


Reel Cleaner™

Parts List

4/2003 revised 9/2017 REV E
Form no. 56042442



Standard Models:
56108050

TABLE OF CONTENTS

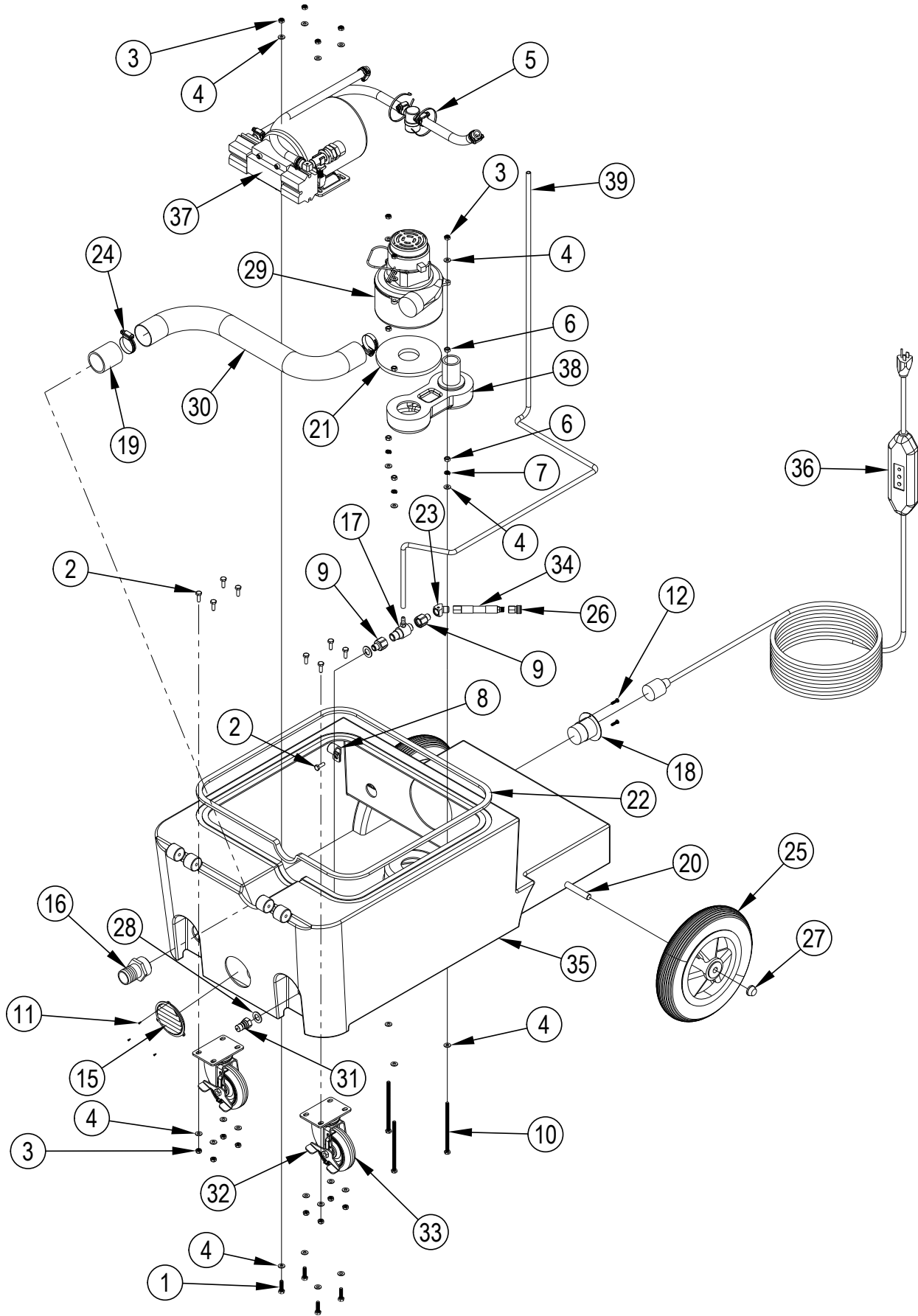
DESCRIPTION	PAGE
Base Assy	2-3
Pump Assy	4-5
Recovery Tank.....	6-7
Solution Tank.....	8-9
Switch Plate Assy.....	10-11
Tools & Accessories	12-13
Wiring Diagram	13

WHEN ORDERING PARTS

- * Use the part numbers from the "Ref. No." columns in this parts list.
- * Specify the model number and serial number of the machine.
- * Use the space below to record the model number and serial number for future reference.

Model No. _____ Serial No. _____

BASE ASSY



BASE ASSY

Kit Item	Ref. No.	Qty	Description
	1	4	Bolt-Hex-Fithrd-Ss-Zp-1-4-20x1
K1,K6	2	12	Bolt Hex 1/4-20 X 3/4 Full
K1,K6	3	15	Nut-Nylock-Zp-1-4-20
K1,K6	4	25	Washer Flat 3/16 Zinc Plat
	5	79	Tie, 8" Black
K1	6	6	Nut-SS-Zp-1/4-20
K1	7	3	Washer-Slitlock-Ss-Zp-1/4
	8	196	Clamp For Wire Harness For
K7	9	217	Reducer 3/8 Pipe Female To 1
K1	10	3	Bolt-Full Thread-Ss-Zp-1/4-20x5
	11	297	Screw-Fhp-Ss-2x1/4-Sms
	12	376	Screw-Ph-Combo-Tapping-8x5/8 Ab
	[13]	437	24" Tape Cloth 2 X 60 Yds Bla
	[14]	452	6" Tape High-Temp Electrical 13
	15	928	1 Louver 3 Gray Plastic
	16	973	1 Adapter Pvc 1 1/4 X Mipt S
K7	17	1049	1 Injector Chemical Brass 4500
	18	1062	1 Electrical Inlet Twist Lock Ne
	19	1077	1 Adapter Pvc Sxf 1 1/4 Lasco
	20	FP549	1 Apc-S.S. Axle 22.81 Inches
K5	21	2013	1 Gasket 1 Side Adhesive 5-1/2 O
	22	FP228A	1 Gasket Base Poron KCEs 1/4
	23	140USP	1 ELBOW 45deg.ANGLE 1/4 MALE X 1
K2	24	156USP	2 Hose Clamp-Size 28-1-9/16- 2 1/2
K8	25	2084A	2 Wheel 10 Grey Precision Bea
K4	26	222USP	1 Quick Disconnect Socket Bras
K8	27	27AUSP	2 Axel Cap Black Pal Nut
K4	28	31USP	2 Washer Brass Half Hard 1 X
K5	29	408A	1 Vacuum Motor 3 Stage 5.7 1
	[]	56260950	1 Brush Mech.2 Brushes (for 408A)
	30	430E	1 Hose 2 Id X 25 Blackrubbe
K4	31	45USP	1 Quick Disconnect Plug Male
K6	32	905A	2 Brake Kit For 4 Caster 905
K6	33	905USP	2 Caster Swivel 4 Gray Non Ma
K3	34	982A	1 49 In-Hose-1/8 Mpt X 1/4 Fpt
	35	B-APC	1 Base For Apc Dark Gray
	36	FP438	1 Power Cord 50 FT W/GFCI Inst
	37	SUB153-M	1 Pump Assembly For Apc 120v. A/
	38	FP300	1 Vacuum Manifold Kit 56108095
K3	39	FP277	1 Hose 1/4 Id X 61 Chemical
	[]	APC-LABEL	2 Label APC 12 Long X 2 Wide M

Service Kits

K1	FP295	1	Base Hardware Kit 56108046
K2	FP296	1	Clamp Kit 56108047
K3	FP297	1	Hose Kit 56108048
K4	FP298	1	Quick Disconnect Kit 56108049
K5	FP299	1	Vacuum Motor Kit 56108031
K6	FP302	2	Caster Kit 56108097
K7	FP303	1	Injector Kit 56108098
K8	FP304	2	Wheel Kit APC 56108099

[] = Not Shown

PUMP ASSY

Kit Item	Ref. No.	Qty	Description
K3,K4	1 97	1	Bushing Pipe 1/4 Male Pipe X
K3,K4	2 165	1	Hose Barb 1/4 Pipe X 1/2 Hose Brass
K3,K4	3 211	1	Plug Brass Pipe 1/4 Pipe H
K4	4 216	1	Elbow 1/4 Street 90 Deg. Br
	5 218	4	Washer-Flat-1/4x3/4x1/8-60 Dur0
K3,K4	6 223	1	Quick Disconnect Plug Brass
K2	7 FP282	1	Hose By-Pass 3/8 X 20 APC
K2	8 FP278	1	Hose Inlet 1/2 X 15 Pump/
K2	9 FP279	1	Hose Inlet 1/2 X 9 Filter/Ta
	10 1050	1	Filter Water In-Line
K4	11 1147	4	Screw-Shcs-Ss-1/4-20x2x1
K4	12 1541	1	Hose Barb 90 3/8 Hose 1/4mpt
K5	13 2060	1	Motor A/C 1/3 Hp For 300 Psi P TSB-FC-2015-032 NOTE 1
K1	14 166USP	6	Hose Clamp-Ss-3/8-7/8
K3,K4	15 92C	1	Nipple Pipe Stainless Steel 1/
K4	16 945A	1	Bypass Valve W/ 0-600 Psi Spri
K4,K5	17 950A	1	Bearing & Cam Assembly .110 NOTE 1
K4	18 950F	1	Pump Piston Style 300-500 Ps
	[] 250USP	1	Rebuild Kit Pump Piston & S
K5	19 56050955	1	Grommet NOTE 1, NOTE 2

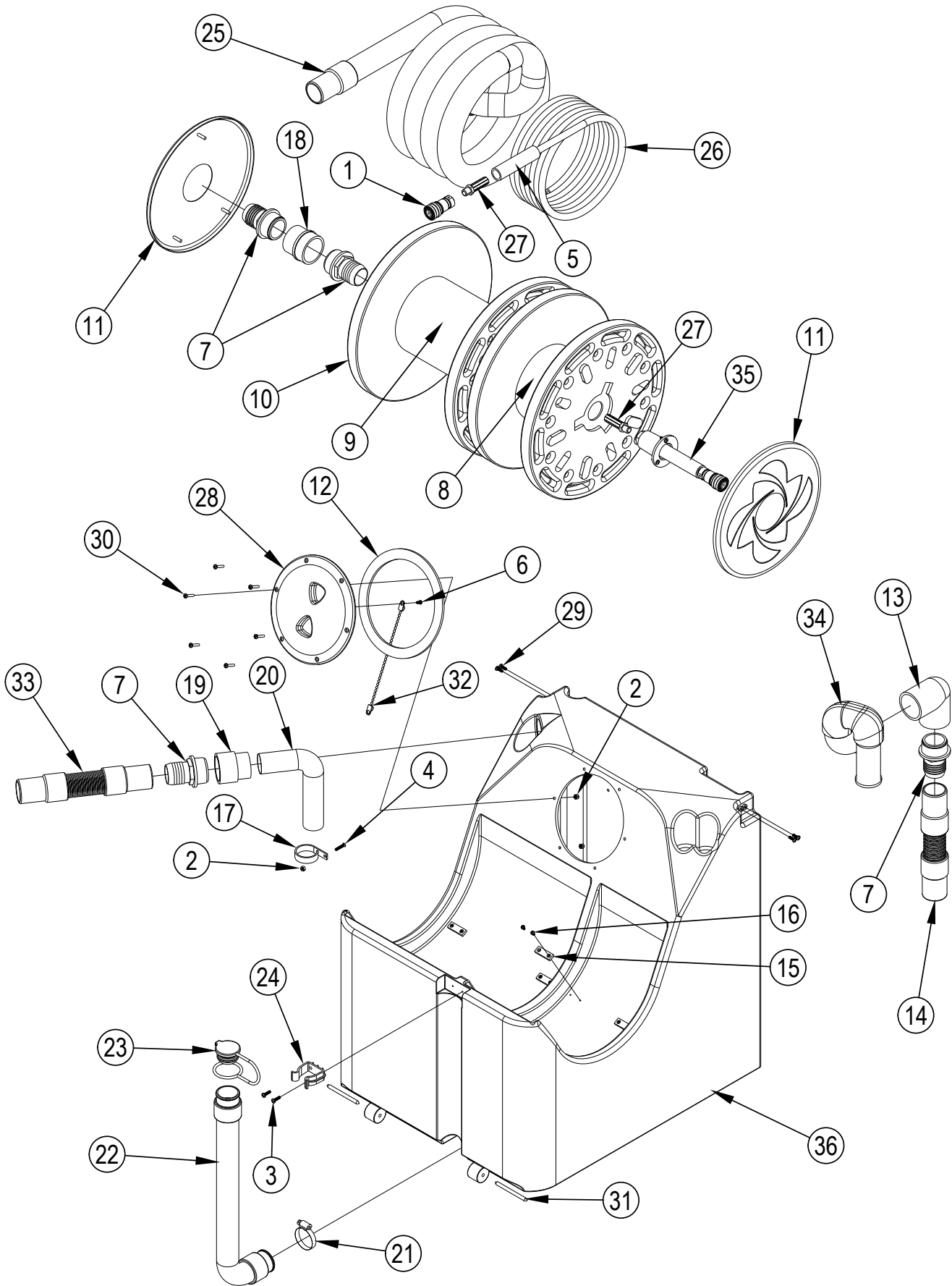
Service Kits

K1	FP296	1	Clamp Kit 56108047
K2	FP297	1	Hose Kit 56108048
K3	FP298	1	Quick Disconnect Kit 56108049
K4	FP270	1	Pump Complete No Motor APC
K5	56105220	1	Kit-Pump Motor 400PSI NOTE 1

[] = Not Shown

NOTE 1: If pump motor wires cannot be repaired, replace the motor with 56105220 Kit-Pump Motor 400PSI (includes new Grommet).**NOTE 2:** All production machines with serial number 4000095482 and above have new Grommet 56050955 installed as standard equipment.

RECOVERY TANK



RECOVERY TANK

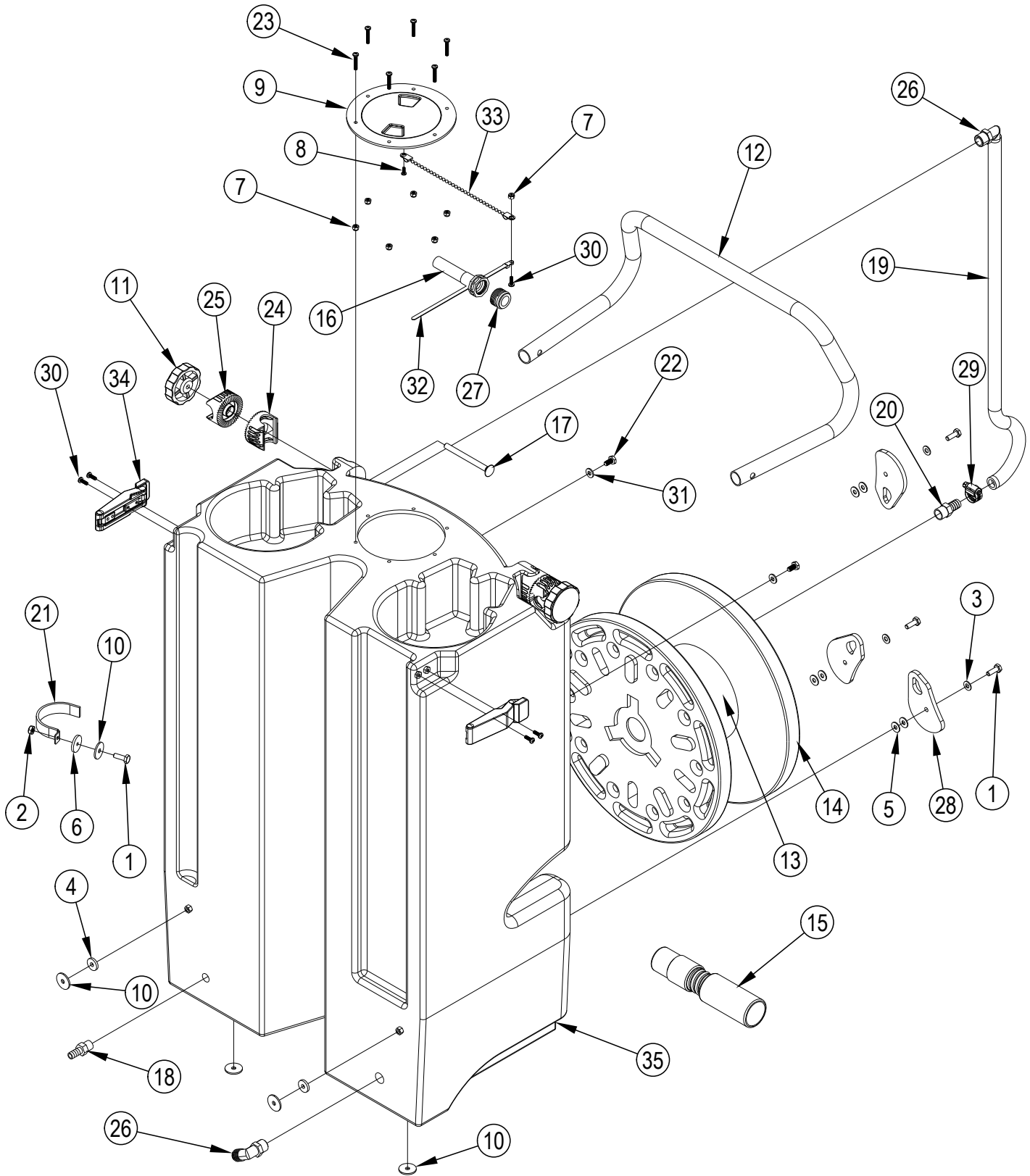
Kit Item	Ref. No.	Qty	Description
K6,K8	1 46	1	Quick Disconnectsocket Femal
K2,K5	2 325	7	Nut-Nylon Lock-Ss-8-32
K3	3 376	2	Screw-Ph-Combo-Tapping-8x5/8 Ab
K5	4 388	1	Screw-Fhp-Ss-8-32x7/8
K6,K8	5 460	4"	Tube-Blk-3-4 Id X 1 X 100ft
K2	6 808	1	Screw 6x3/8 S/S Trusshead P
K9	7 907	4	Hose Barb Fitting Black Abs
K1	8 1053	1	Reel Core 6 X 4.5
K9	9 1054	1	Reel Core 6 X 9
K1,K9	10 1055	2	Reel Flange 14 (Set Of 2)
K1,K9	11 1064	2	Hubcap-Reels-W/Ctr Hole
K2	12 1074	1	Gasket-Lid-Xlpe-6.5idx3/16 Thick
	13 1075	1	Elbow Pvc 90 1-1/2 Fipt X Fi
	14 1076	1	Hose Vacuum Clear 1.5 X 38
K7	15 1088	8	Strip Glide
K7	16 1089	16	Screw-Php-Ss-6-1/4
K5	17 1107	1	Clamp Self Closing Screw Moun
K9	18 1110	1	Spin Weld 1-1/2 Fpt Raised D
	19 1137	1	Adapter-Abs 1-1/2
K10	20# 9.75"		Hose 1-1/4 X 50 Ft Wire R
K4	21 1518	1	Hose Clamp 3/4 X 1 3/4 Ss
K4	22 56262143	1	Hose Assembly
K4	23 56383665	1	Plug-Drain Hose-1.5IN-LT Gray
K3	24 56407361	1	Clamp, Plastic
K9	25 FP306A	1	Hose Vac 5 To 1 Stretch W/CU
K6,K8	26 50'		Hose Power Clean 1/4 Id X 5
K6,K8	27	2	Crimp Fitting 1/4 X 1/4 Mal
K2	28 56383435	1	Lid Clear With Ring
	29 325C	4	Bolt-Php-Ss-8-32x1/2
K2	30 1148	6	Screw 8-32 X 1 Panhead P
	31 801A	2	Rod Stainless/Steel 1/4 X 3 1
K2	32 805USP	1	Chain-Cover
K9	33 919F	1	Hose Vacuum 1-1/2 X 21 Black
	34 56113039	1	Ball Float Assy
K8	35 FP306	1	Swivel Hose Kit 56108015
	36 FP558	1	Vacuum Tank Apc Light Grey (includes items 16 & 17)

Service Kits

K1	FP274	1	Reel For Solution Hose APC
K2	FP285	1	Recovery Lid Kit
K3	FP287	1	Recovery Hose Clamp Kit
K4	FP288	1	Dump Hose Kit 56108071
K5	FP307	1	Recovery Hose Clamp Kit 56108
K6	FP275	1	Solution-Hose-QD-APC
K7	FP342	1	Teflon Glides Kit 8ea. & Screws
K8	FP310	1	Hose-Assembly-Solution-50-FT-A
K9	FP377	1	Vac Hose & Reel Kit Assembled
K10	56385081	1	Hose Wire 1-1/4 X 9.75

= Revised or new since last update

SOLUTION TANK



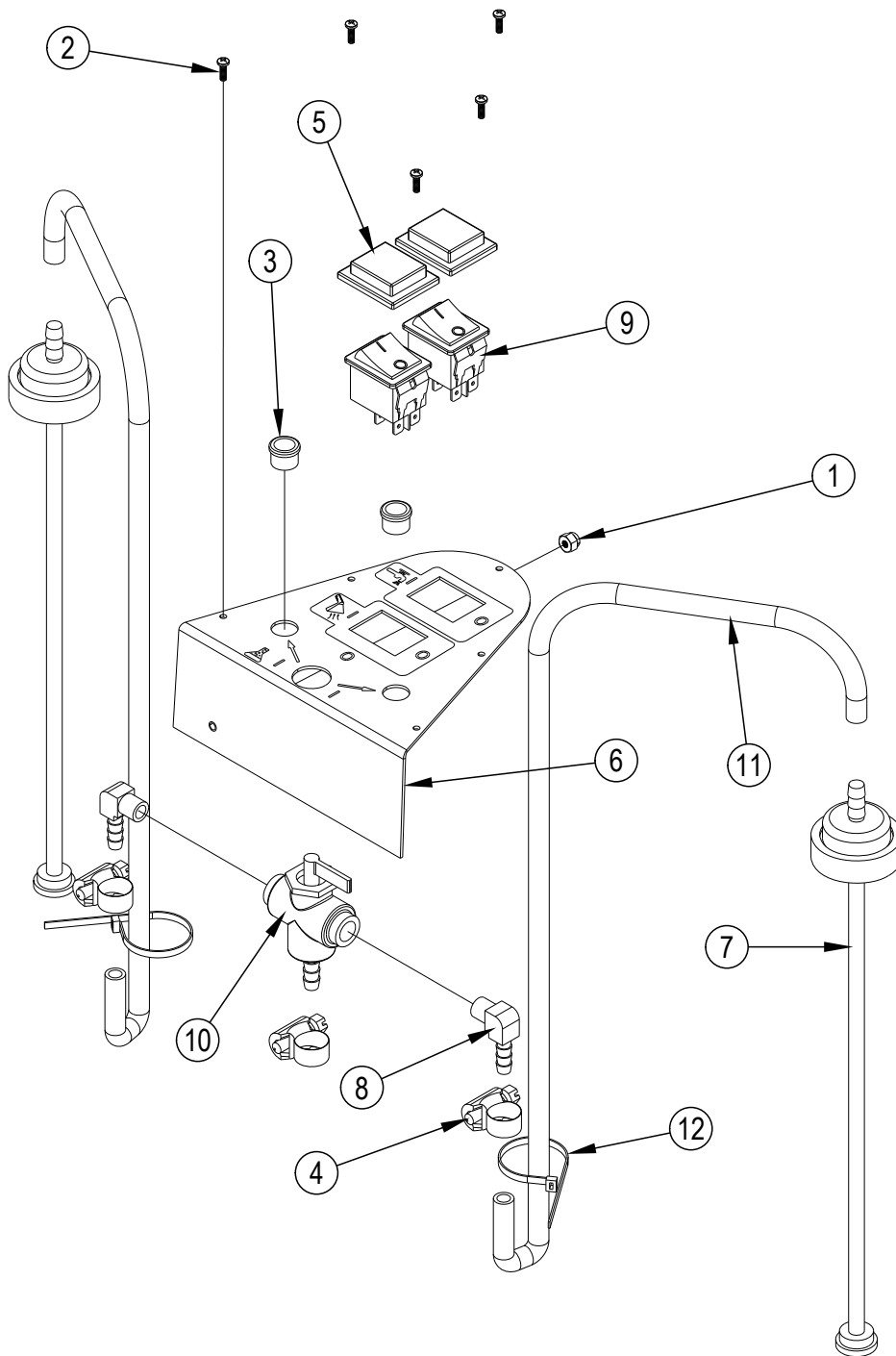
SOLUTION TANK

Kit Item	Ref. No.	Qty	Description
K4,K9	1 5	4	Bolt Hex 1/4-20 X 3/4 Full
K4	2 8	1	Nut-Nylock-Zp-1-4-20
K4,K9	3 14	3	Washer Flat 3/16 Zinc Plat
K4	4 218	2	Washer-Flat-1/4x3/4x1/8-60 Dur0
K9	5 233	6	Washer-Flat-Nylon-Black-1/4idx5/8odx1/16 Thick
	6 290	1	Washer Epdm 7/32 X 1/8
K4	7 325	7	Nut-Nylon Lock-Ss-8-32
K7	8 808	1	Screw 6x3/8 S/S Trusshead P
K7	9 983	1	LID And RING 4 LID CLEAR
K4	10 1033	5	Washer-Flat-Zp-1/4 Id X 1 Od
K5	11 1047	2	Knob Handle Ratchet
	12 FP271	1	Handle Tube Powder Coat Black
K3	13 1053	1	Reel Core 6 X 4.5
K3	14 1055	1	Reel Flange 14 (Set Of 2)
	15 1058	1	Hose Vacuum Black 1.25 X 13
K8	16 1065	1	5' Hose Fill Apc
K5	17 1078	2	Bolt Carriage 5/16-18 X 3 1/2
K2	18 1083	1	Hose Barb, 3/8 Barb X 1/4 Mpt
K6	19 1085	25"	Tubing Clear 1/2 Id X 3/4 O
K6	20 1090	1	Hose Barb Nylon 3/8 Mpt X 1/2
K4	21 1091	1	Clamp Stainless Steel Insulate
	22 1097	2	Bolt-Hex-1/4-20 X 1/2-Ss
K4	23 382C	6	Screw 8-32 X 7/8 Panhead Phi
K5	24 56264118	2	Ratchet
K5	25 56264123	2	Ratchet
K2,K6	26 56380688	2	Hose Barb/Elbow 90 Deg Nyl 1/2
K8	27 1065A	1	Adapter Faucet Inside/Outsid
K4,K9	28 1087B	3	Reel Keeper Tear Drop Shape
K1,K6	29 166USP	1	Hose Clamp-SS-3/8-7/8
	30 325C	5	Bolt-Php-SS-8-32x1/2
	31 398A	2	Washer 1/4 An S/S Flat .515
K4	32 79B	1	Tie Wire 8 W/Mounting Hole
K7	33 805USP	1	Chain-Cover
	34 908A	2	Latch & Strike Draw Rubber Ma
	35 FP370	1	Holding Tank APC Light Grey (includes items 1, 3, 5, 18, 20, 26, 28)

Service Kits

K1	FP296	1	Clamp Kit 56108047
K2	FP298	1	Quick Disconnect Kit 56108049
K3	FP272	1	Reel For Blower Hose APC
K4	FP289	1	Solution Tank Hardware Kit
K5	FP290	1	Handle Knob Kit 56108083
K6	FP291	1	Solution Hose Kit 56108084
K7	FP292	1	Solution Lid Kit 56108085
K8	FP305	1	Hose Fill Kit APC
K9	FP378	1	Keeper Reel Swivel Kit 561080

SWITCH PLATE ASSY



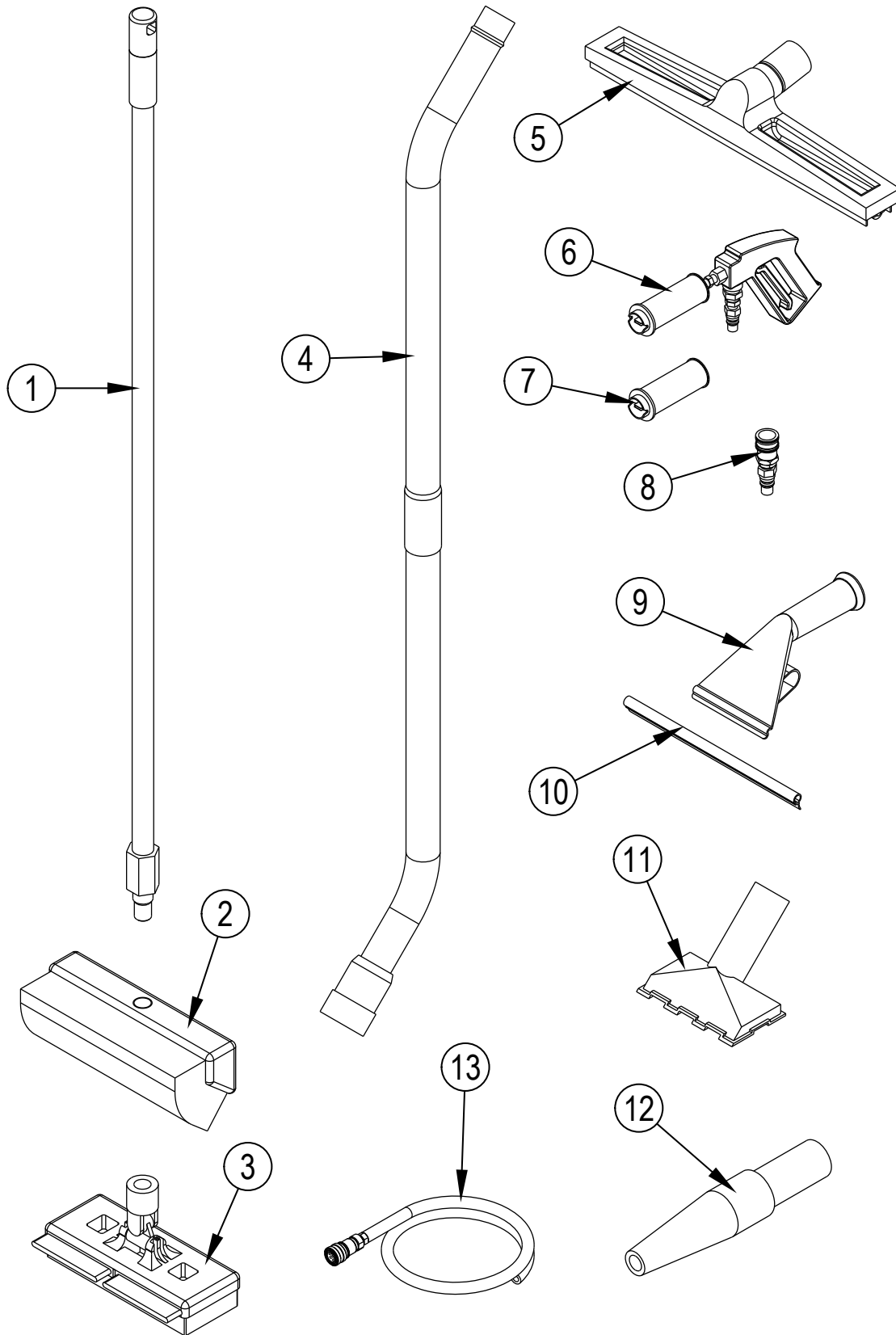
SWITCH PLATE ASSY

Kit Item	Ref. No.	Qty	Description	
	1	16	1	Nut Nylon Lock 6/32 Z.P.
K1	2	28	5	Screw-Php-Ss-4x3/8-Sms
	3	311	2	Bushing Plastic 1/2 X 3/8
	4	385	3	Hose Clamp 1/4 X 5/8 X 7/16 Wi
K2	5	397	2	Splashguard For 48 50 1
	6	1052	1	Switchplate Apc
	7	1079	2	Chemical Feed Cap & Tube W/F
K3	8	56755726	2	Barb, Hose Male
K2	9	1005A	2	Switch Rocker On-Off
K3	10	988B	1	Valve 3-Way For Spotter & Apc
	11	FP280	2	Hose 1/4 X 30 Chem/Bottle
	12	35	2	Tie 4 Black Weather Resis

Service Kits

K1	FP289	1	Solution Tank Hardware Kit
K2	FP293	1	Switch Kit 56108086
K3	FP294	1	Solution Valve Kit 56108087

TOOLS & ACCESSORIES

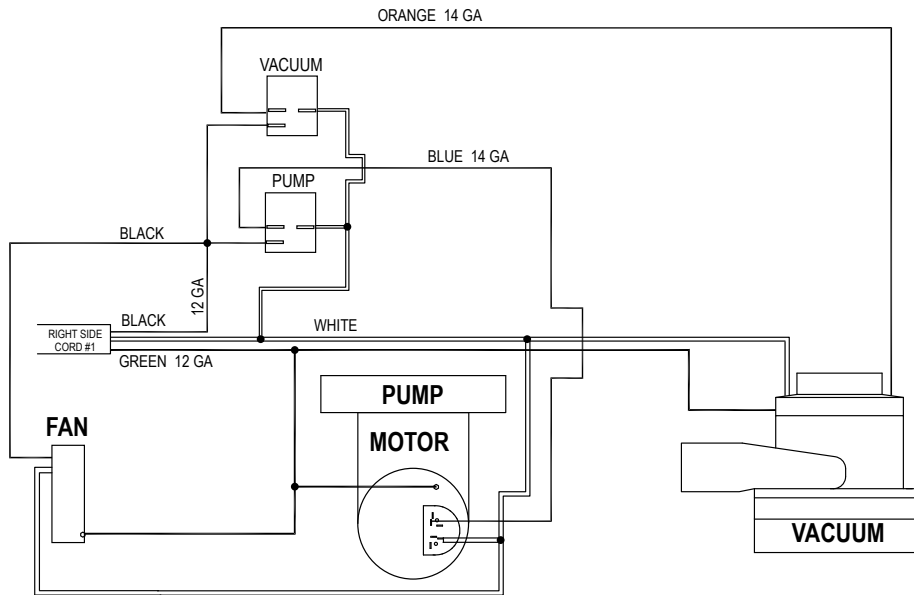


TOOLS & ACCESSORIES

KitItem	Ref. No.	Qty	Description
1	56108022	1	Handle, Aluminum, 4ft.
2	56108026	1	Brush, Scrub
3	56108094	1	Grout Scrub Brush
4	56108027	1	Wand, 2 pieces, Aluminum
5	56108028	1	Floor Squeegee Tool, 14"
6	56108072	1	Spray Gun Complete
7	56108060	1	Spray Tip, Variable
8	56108025	1	Extraction Tool Adapter Kit
9	56108018	1	Quick Release Aluminum Squeegee Handle
10	56108017	1	12" Aluminum Channel w/ Rubber Blade
11	56108029	1	Drain Tool, 5"
12	56108066	1	Nozzle, Blower, Rubber
13	SUBSYP1	1	Syphon Hose For Hhp-12
[]	56108030	1	Metering Tip Kit (4 pieces / for 56108072 / Table 1)
[]	56108021	1	Dry Caddy Bag
[]	56108016	1	Replacement Rubber Soft Blade – 12 Pack (for 56108017)
[]	56108011	1	Squeegee Service Kit (for 56108028)

Color	Size	Flow Rate
Red Purple	0.007	1/2 oz. per gallon
Light Purple	0.009	1 oz. per gallon
Purple	0.014	2 oz. per gallon
Yellow	0.020	4 oz. per gallon

[] = Not Shown



WIRING DIAGRAM

Kit Item	Ref. No.	Qty	Description
	FP301	1	Fan Kit
	2060	1	Motor, Pump, 120V TSB-FC-2015-032
	FP299	1	Vacuum Motor Kit
[]	56260950	1	Brush Mech.2 Brushes (for 408A)
[]	FP293	1	Switch Kit (includes two switches: one pump switch & one vacuum switch)
[]	FP438	1	Power Cord 50 FT W/GFCI Inst

[] = Not Shown



9435 Winnetka Ave North
Minneapolis, MN 55445
www.advance-us.com
Phone: 800-989-2235
Fax: 800-989-6566
©2017 Nilfisk, Inc.

