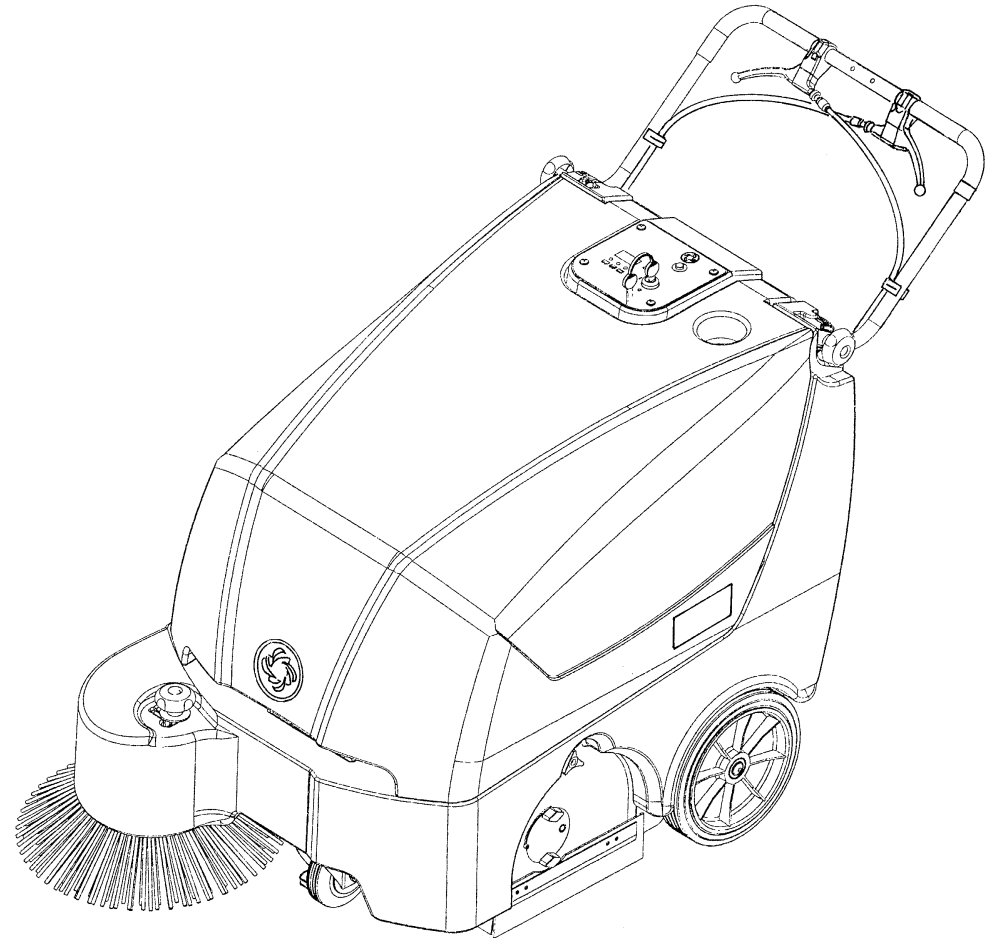


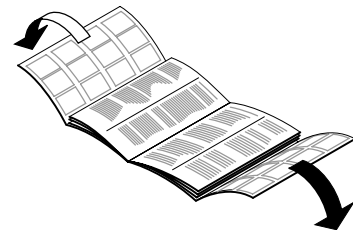
Terra 132B

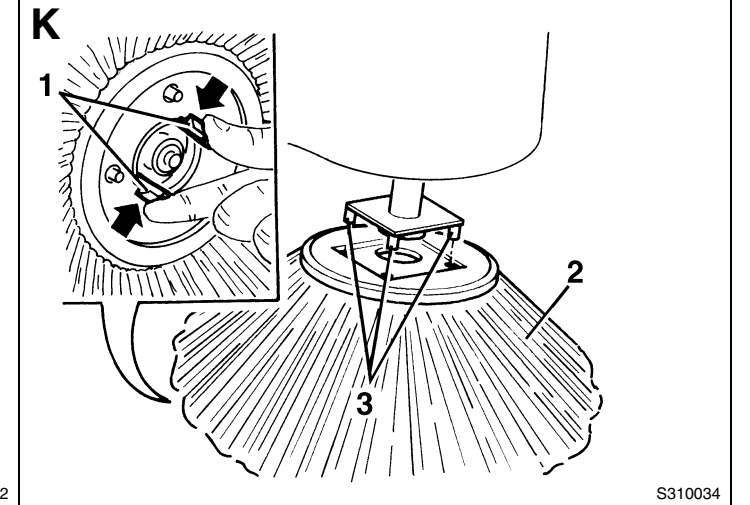
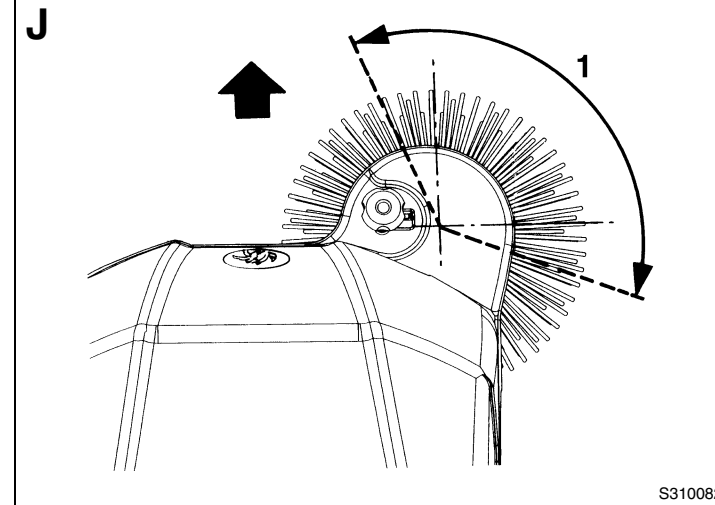
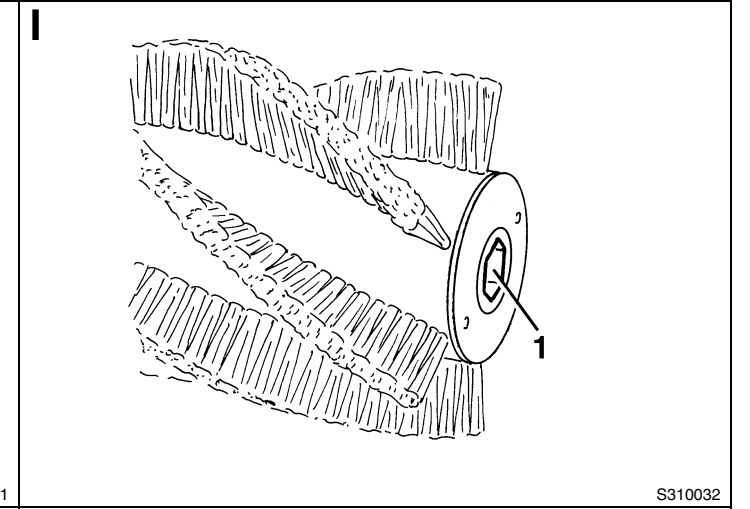
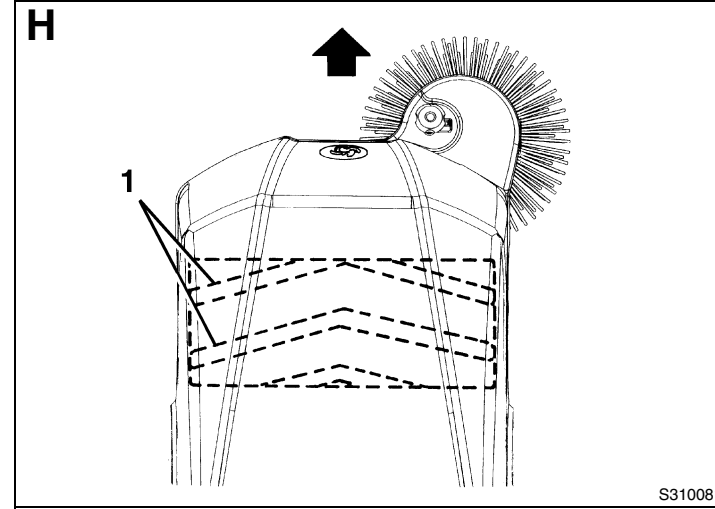
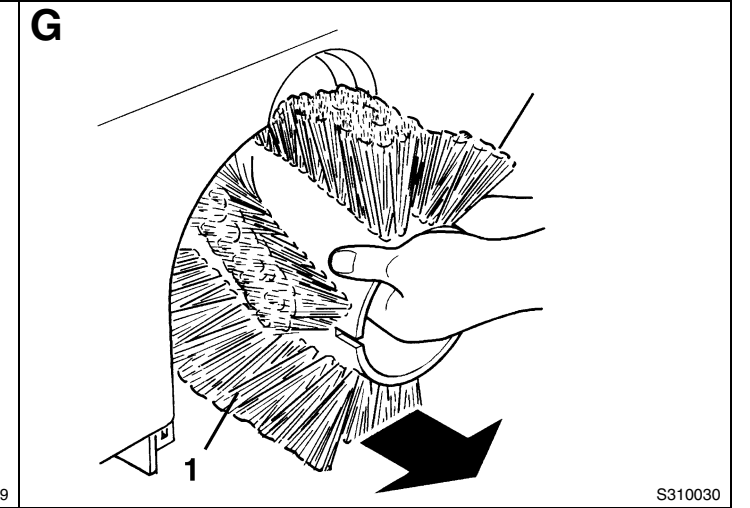
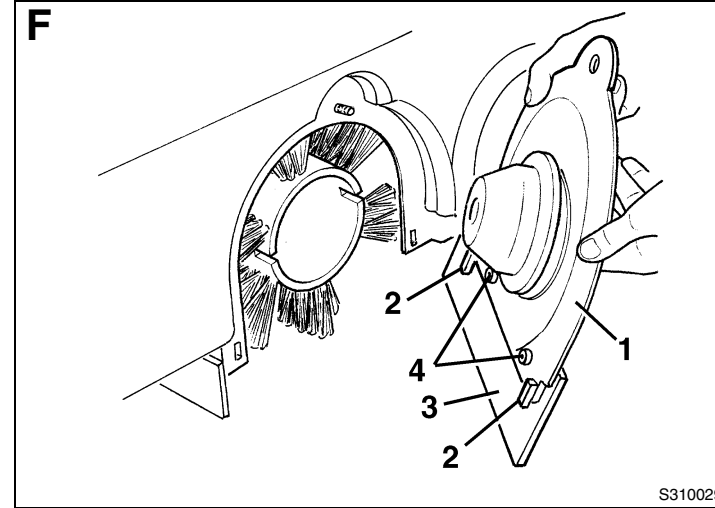
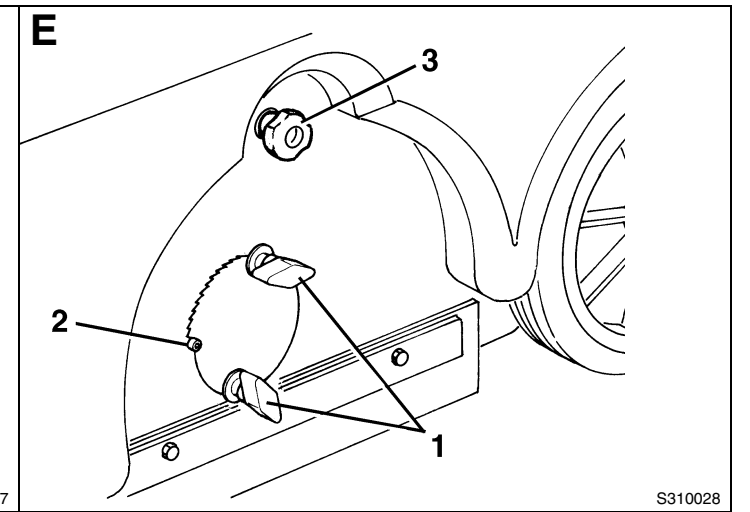
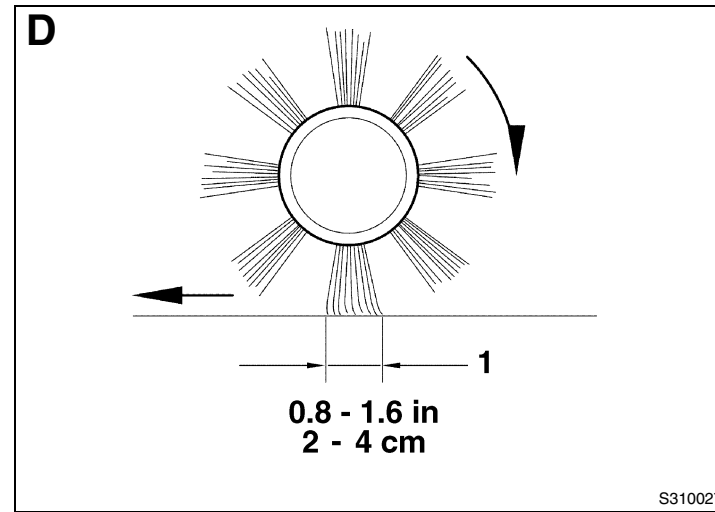
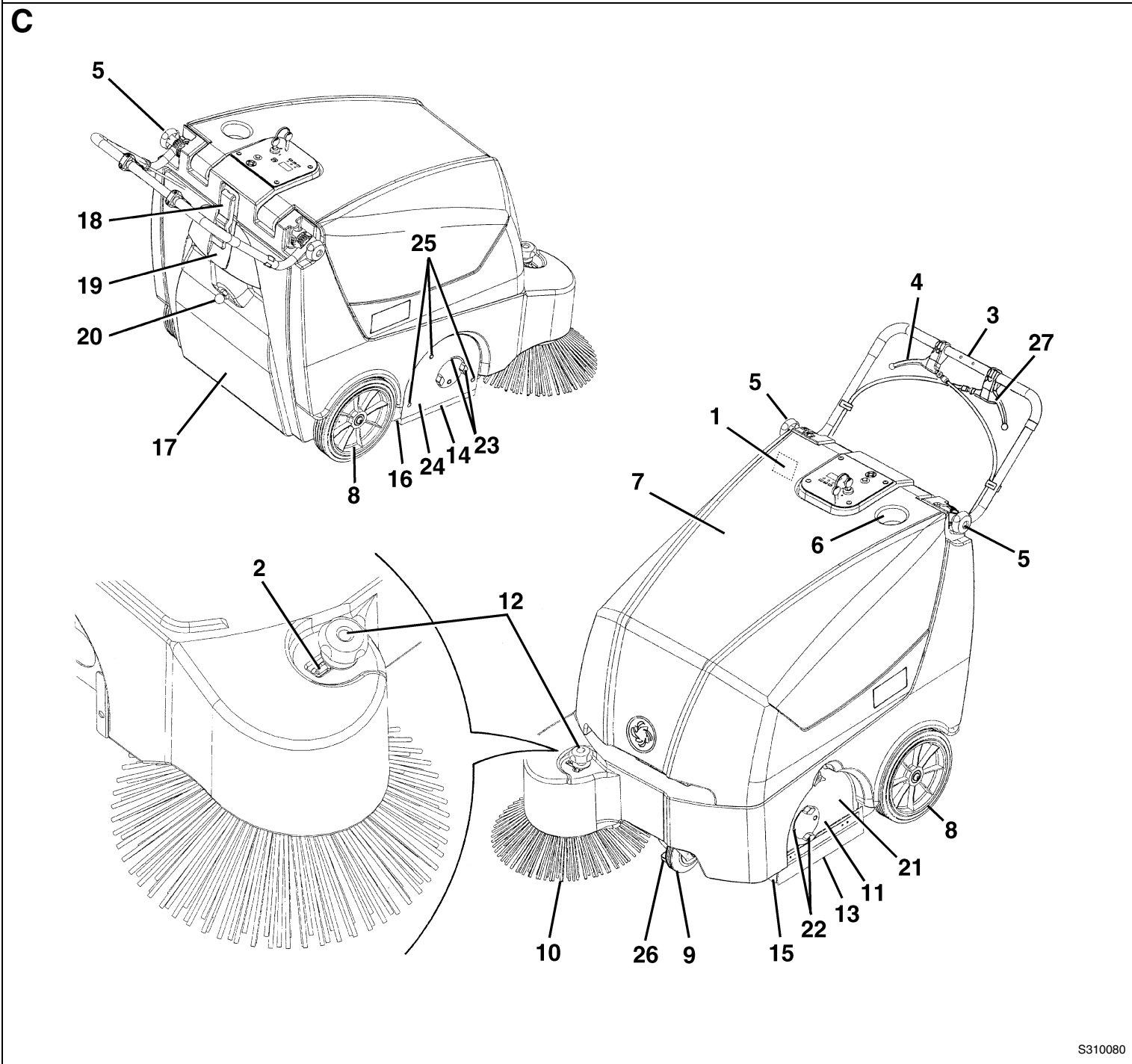
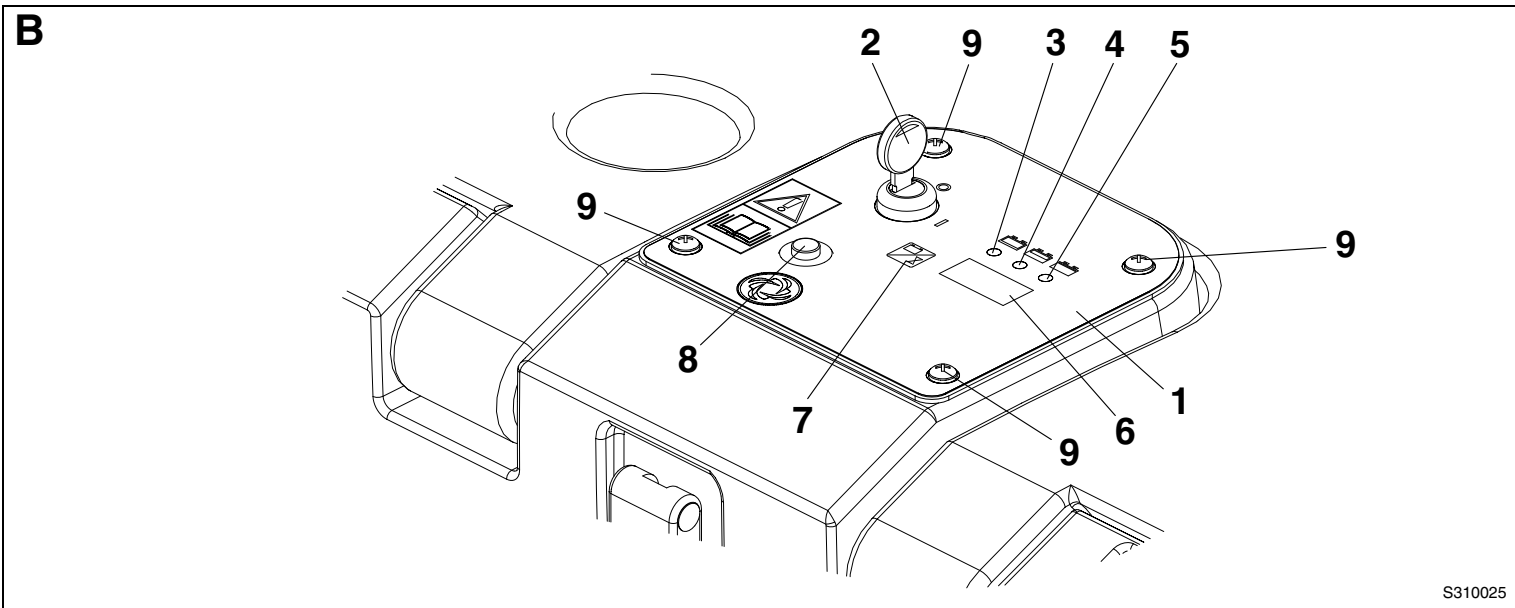


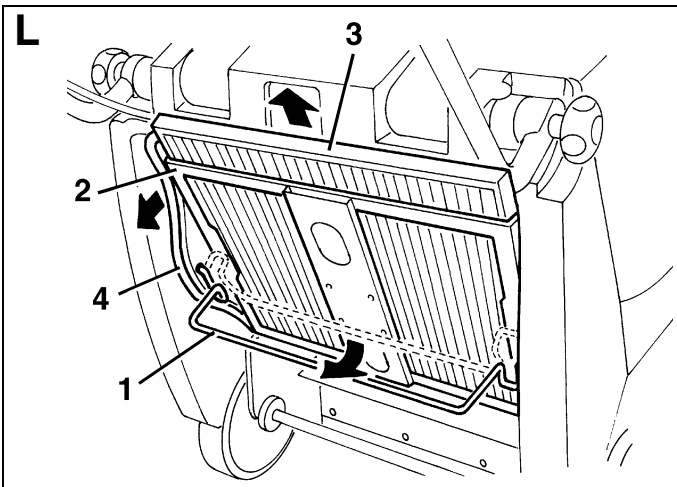
INSTRUCTIONS FOR USE

Advance Model 908 4103 010

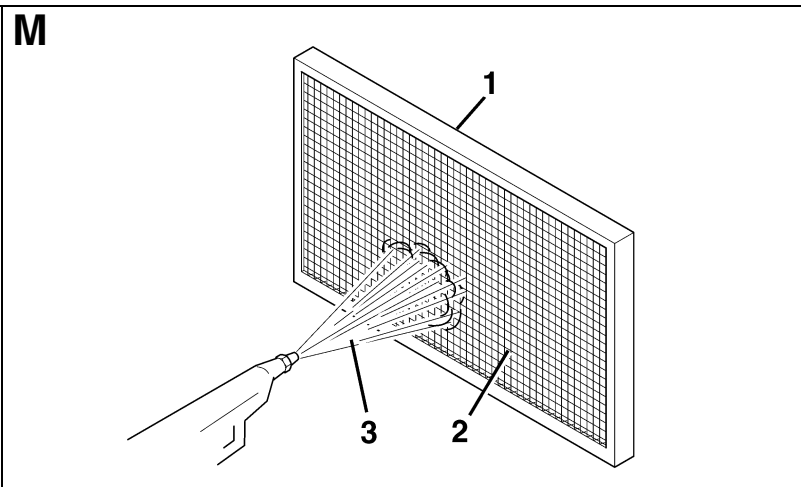
English
French
Spanish
Portuguese



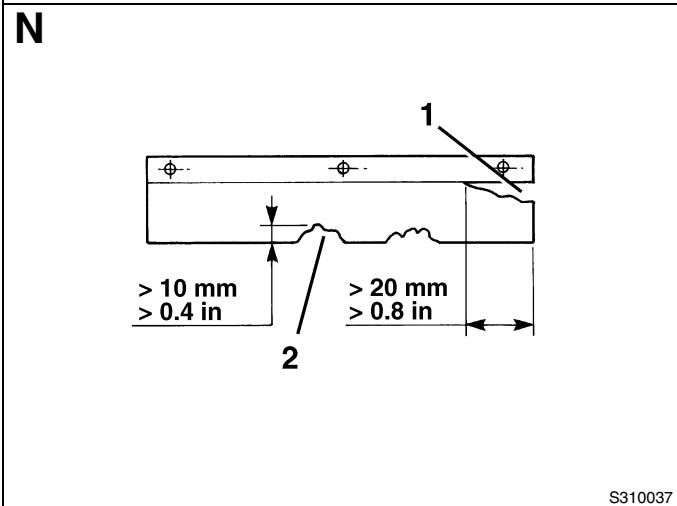




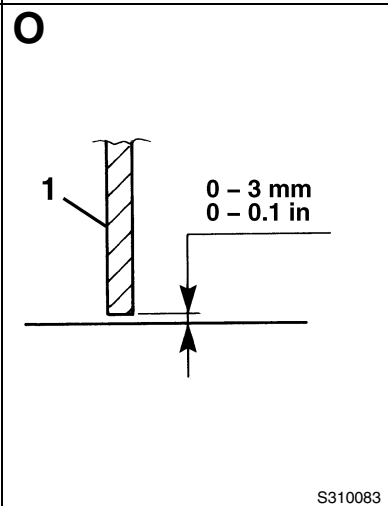
S310035



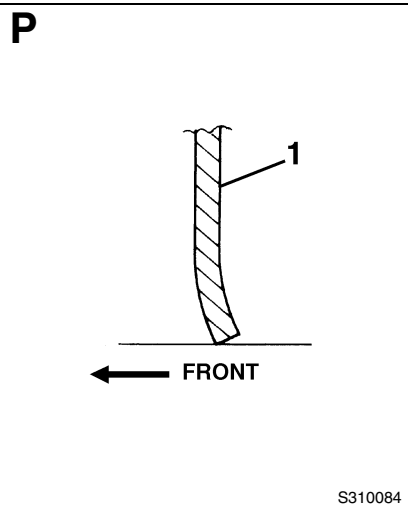
S310036



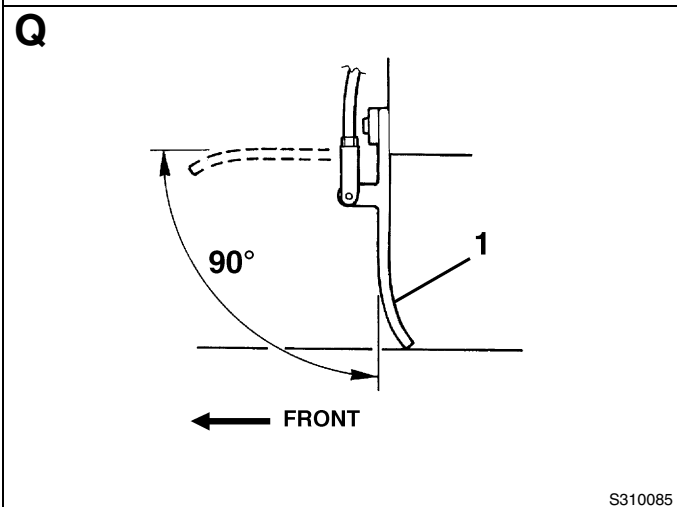
S310037



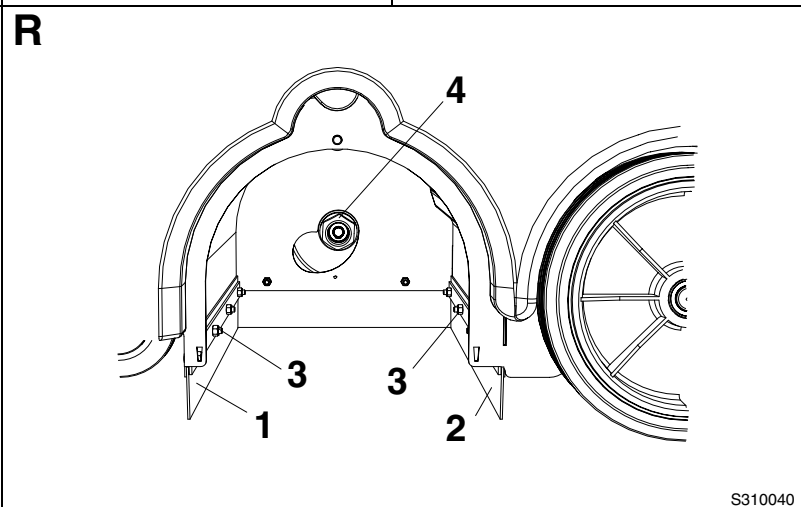
S310083



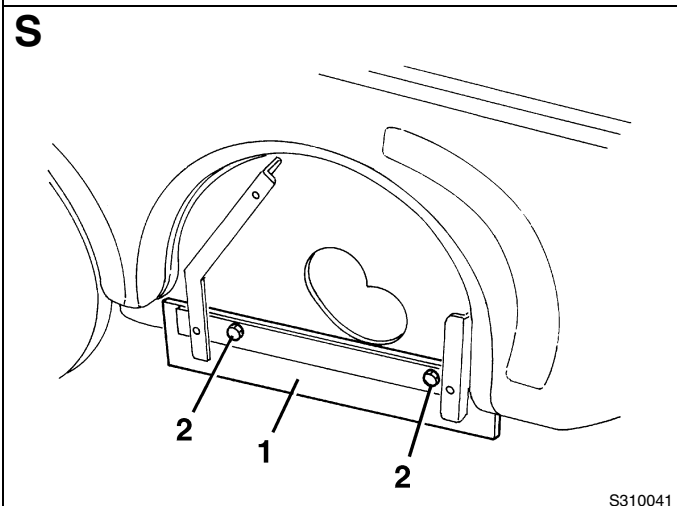
S310084



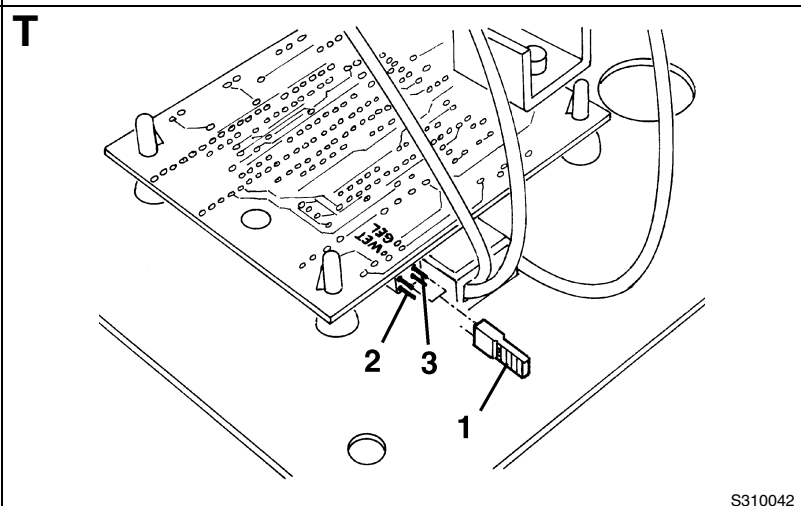
S310085



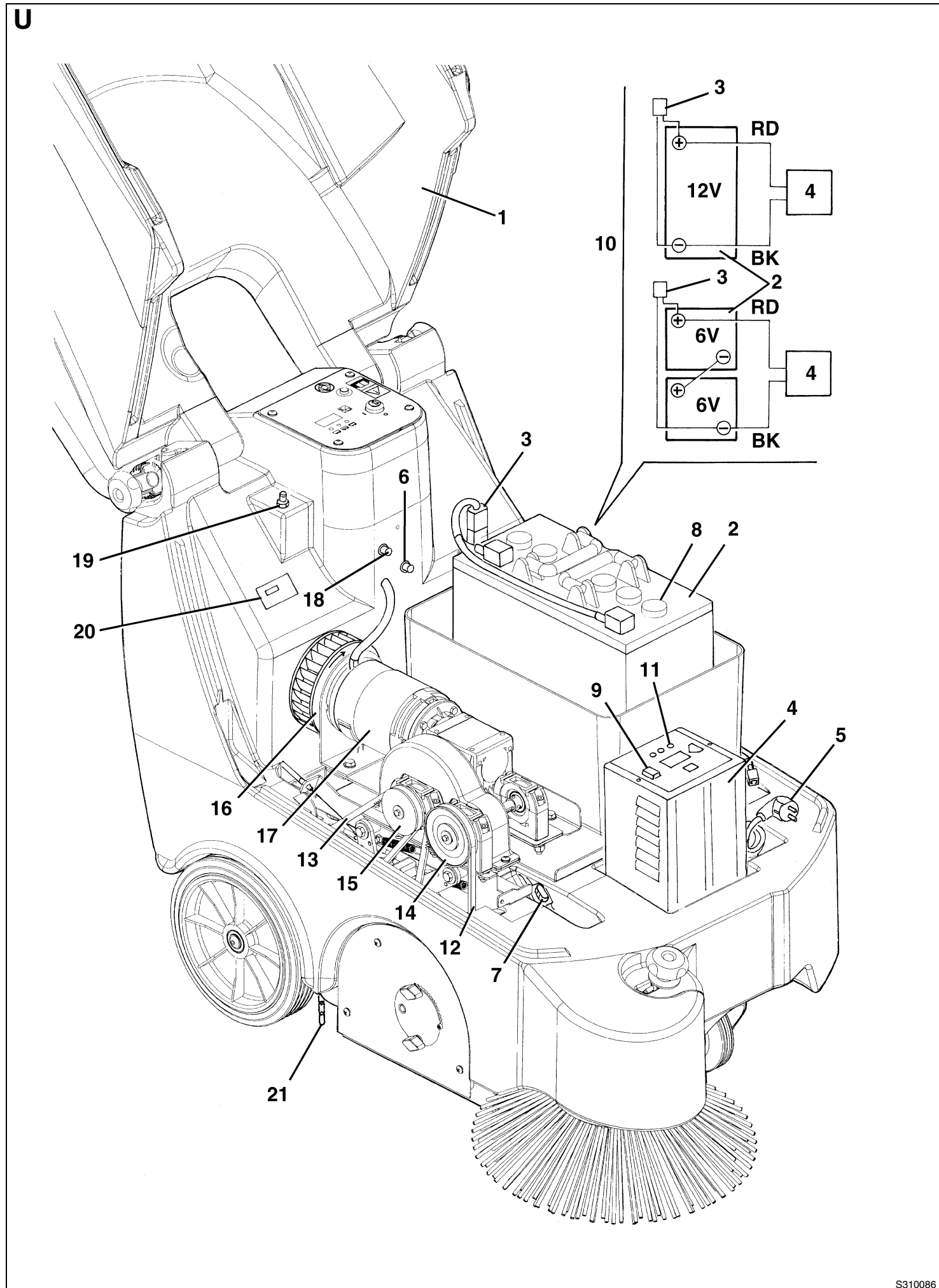
S310040



S310041

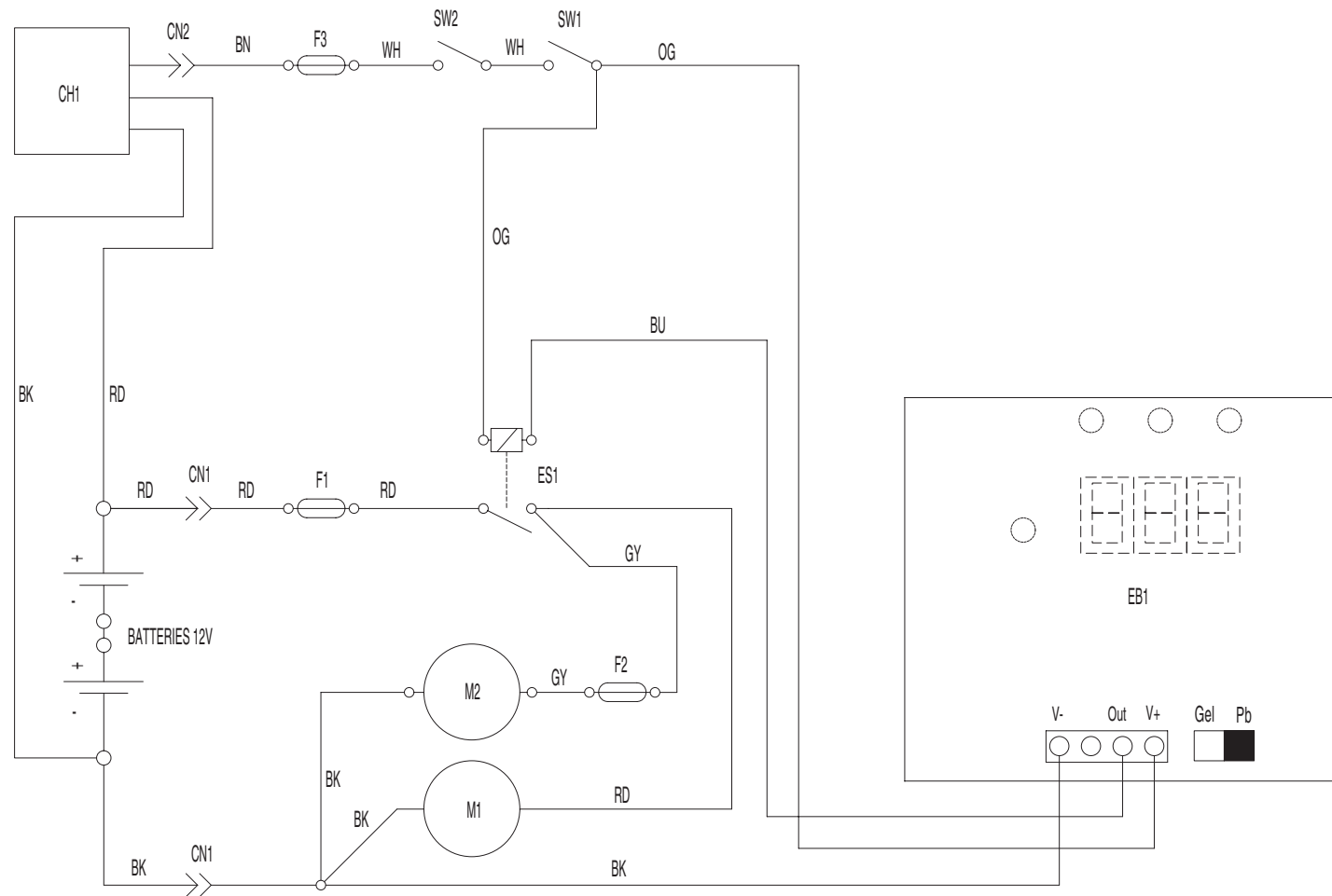


S310042



S310086

V



COLORS CODES		
BK	BLACK	nero
BU	BLUE	azzurro
BN	BROWN	marrone
GN	GREEN	verde
GY	GREY	grigio
OG	ORANGE	arancio
PK	PINK	rosa
RD	RED	rosso
VT	VIOLET	viola
WH	WHITE	bianco
YE	YELLOW	giallo

COMPONENTS		
CH1	BATTERY CHARGER	146 0670 000
CN1	BATTERY CONNECTOR	146 0747 000
CN2	CHARGER CONNECTOR	[145 3735 000]
EB1	ELECTRONIC BOARD	146 0570 000
ES1	ELECTROMAGNETIC SWITCH	146 0626 000
F1	CIRCUIT BREAKER 70A	146 1200 000 from serial no.1664872
F1	MAIN FUSE 60A	[146 0571 000] before serial no.1664872
F2	SIDE BRUSH FUSE (15A)	145 9853 000
F3	SIGNAL FUSE (10A)	145 1726 000
M1	MAIN MOTOR (Traction main broom)	146 0531 000
M2	EXT BRUSH MOTOR	146 0532 000
SW1	KEY SWITCH	145 0372 000
SW2	HOOD SAFETY SWITCH	146 0565 000



Nilfisk-Advance, Inc.
 14600 21st Avenue North
 Plymouth, MN, 55447-3408
 www.nilfisk-advance.com
 Phone: 800-989-2235
 Fax: 800-989-6566

©2004 Nilfisk-Advance, Inc.,
 Plymouth, MN 55447-3408
 Printed in Italy

S310071

INTRODUCTION	2
PURPOSE AND CONTENTS OF THIS MANUAL	2
IDENTIFICATION DATA	2
OTHER REFERENCE MANUALS	2
SPARE PARTS AND MAINTENANCE	2
MODIFICATIONS AND IMPROVEMENTS	2
SAFETY - ACCIDENT PREVENTION	2
SYMBOLS	2
GENERAL SAFETY INSTRUCTIONS	3
UNPACKING	3
MACHINE DESCRIPTION	4
TERRA 132B SWEEPER OPERATION CAPABILITIES	4
TECHNICAL DATA	4
ELECTRICAL PROTECTIONS	5
ACCESSORIES / OPTIONS	5
MACHINE USE	5
BATTERY CHECK/INSTALLATION ON A NEW MACHINE	5
BATTERY INSTALLATION AND BATTERY TYPE SETTING (WET OR GEL)	6
BEFORE START-UP	6
STARTING AND STOPPING THE MACHINE	6
MACHINE OPERATION	7
EMPTYING THE HOPPER	7
AFTER MACHINE USE	7
PUSHING THE MACHINE	7
MACHINE STORAGE	7
MAINTENANCE	8
SCHEDULED MAINTENANCE TABLE	8
MAIN BROOM HEIGHT CHECK	9
MAIN BROOM REPLACEMENT	9
SIDE BROOM HEIGHT ADJUSTMENT	10
SIDE BROOM REPLACEMENT	10
DUST FILTER CLEANING AND INTEGRITY CHECK	10
SKIRT HEIGHT AND OPERATION CHECK	11
BATTERY CHARGING	11
SAFETY FUNCTIONS AND TROUBLESHOOTING	12
HOOD SAFETY SWITCH	12
TROUBLESHOOTING	12
SCRAPPING	12

INTRODUCTION

PURPOSE AND CONTENTS OF THIS MANUAL

The purpose of this manual is to provide the Customer with all necessary information to use the machine properly in a safe way. It contains information about technical characteristics, operation, machine storage, maintenance, spare parts and safety conditions.

This manual is intended for Operators and Technicians qualified for performing the machine maintenance.

Before carrying out any procedure on the machine, the Operators and Qualified Technicians must read this manual carefully. Contact the Manufacturer in case of doubts regarding the interpretation of the instructions and for any further information.

IDENTIFICATION DATA

The Machine Model and Serial Number are marked on the nameplate that is located under the hood. (20, Fig. U).

The machine production year is shown after the Date Code on the serial plate. (A04 means January 2004)

This information is useful when machine and engine replacement parts are required. Use the following table to write down the machine identification data for any future reference.

MACHINE Model:.....
MACHINE Serial Number:.....

OTHER REFERENCE MANUALS

– Electronic Battery Charger Manual, also provided, is to be considered an integral part of this manual.

The following manuals are also available:

- Service Manual (that can be consulted at any Advance Service Center)
- Parts List, **supplied with the machine**

SPARE PARTS AND MAINTENANCE

All extraordinary maintenance and repairs must be carried out by qualified personnel or by Advance Service Centers. Only original spare parts and accessories should be used.

Call Advance for service or to order spare parts and accessories. Specify the machine Model and Serial Number when discussing your machine.

MODIFICATIONS AND IMPROVEMENTS

Our Company constantly improves its products and reserves the right to make changes and improvements at its discretion without being obliged to apply such benefits to the machines that were previously sold.

Any modifications and/or the addition of accessories must be approved and performed by the Manufacturer.

SAFETY - ACCIDENT PREVENTION

The following symbols indicate potentially dangerous situations. Always carefully read this information and take the necessary precautions to protect people and property.

No accident prevention program is effective without the total cooperation of the person responsible for the machine operation. Most of the accidents that may occur in a factory, while working or transporting the machine, are caused by the failure to comply with the most simple prudence rules. A careful and prudent user is the best guarantee against accidents and is a prerequisite to carry out any accident prevention program.

SYMBOLS



DANGER!

Is used to warn of immediate hazards that will cause severe personal injury or death.



WARNING!

Is used to call attention to a situation that could cause severe personal injury.



CAUTION!

Is used to call attention to a situation that could cause minor personal injury or damage to the machine or property.



CONSULTATION

Consult the instruction booklet before performing any operation.

GENERAL SAFETY INSTRUCTIONS

Specific warnings and cautions to inform you about potential exposure to bodily harm and machine damage are listed below.



DANGER!

- **To perform maintenance/repair procedures turn the machine ignition key to the OFF position and disconnect the battery.**
- This machine must be used by qualified and authorized personnel only. Children or disabled people cannot use this machine.
- Keep the battery far from sparks, flames and smoke. Explosive gases are vented during normal operation.
- Do not wear jewelry when working near electrical components.
- Do not work under the lifted machine if it is not securely supported.
- Do not operate the machine near dangerous, flammable and/or explosive powders, liquids or vapors.
- **Battery charging produces explosive hydrogen gas. Keep the hood open during battery charging and perform the operation only in well-ventilated areas and far from open flames.**
- **When wet (lead-acid) batteries are mounted on this machine, do not tilt the machine more than 30° from its horizontal position. Doing so could cause the highly corrosive acid to leak out of the batteries. When it is necessary to tilt the machine for maintenance, remove the battery(ies).**



WARNING!

- Carefully read all maintenance/repair instructions before carrying out any maintenance/repair procedure.
- Take all necessary precautions to prevent hair, jewelry and loose clothing from being caught in moving parts.
- Do not smoke during battery charging.
- Do not leave the machine unattended with the ignition key inserted and the parking brake deactivated, if equipped,.
- Do not use the machine on surfaces with a gradient greater than 2%.
- Do not wash the machine with pressurized water, or with corrosive substances. Do not use compressed air to clean this type of machine.
- Do not use the machine in extremely dusty areas.
- During the use of this machine take care not to endanger other people.

- Storage temperature must be within +32°F - +104°F (0°C - +40°C).
- The machine working temperature must be within +32°F - +104°F (0°C - +40°C).
- Humidity range should be within 30% and 95%.
- Do not use the machine as a transport vehicle.
- Do not allow the brooms to operate while the machine is stationary to avoid damaging the floor.
- In case of fire, use a powder extinguisher. Do not use water.
- Do not bump into shelves or scaffolding where there is a risk of falling objects.
- Adjust the operating speed according to the floor conditions.
- Do not tamper with the machine safety guards; follow the ordinary maintenance instructions scrupulously.
- Do not remove or modify the plates affixed on the machine.
- In case of machine malfunctions ensure that these are not caused by a lack of maintenance. Otherwise, request assistance from the authorized personnel or a Service Center.
- If parts must be replaced, request ORIGINAL spare parts from a dealer or Authorized Retailer.
- To ensure proper machine operation and safety conditions, the authorized personnel or Service Center must carry out the Scheduled Maintenance detailed in the related chapter of this Manual.
- The machine must be disposed of properly, at the end of its cycle of life, because of the presence of toxic-harmful materials (battery acid, oil, etc.), which are subject to standards that require disposal in special centers (see chapter "Scrapping").
- If the machine is used according to the instructions, it will not produce dangerous levels of vibration. The machine vibration level is below 2.5 m/s².

UNPACKING

When the machine is delivered, check that the carton and the machine were not damaged during shipping. If damage is evident, keep the packing materials and have it checked by the Parcel Service that delivered it. Call the Parcel Service immediately to fill out a request for a compensation for damages.

Please check that the following items have been supplied with the machine:

1. Technical documents: Sweeper Instruction for Use Electronic Battery Charger Manual, Parts List
2. Side broom fuse (1)
3. Spare battery cables, terminal boots
4. Electronics fuse (1)

MACHINE DESCRIPTION

TERRA 132B SWEEPER OPERATION CAPABILITIES

The TERRA 132B Sweeper is designed and constructed to sweep non-hazardous dust or light debris on smooth and solid floors, light carpeting, in civil or industrial environments, under safe operating conditions by a **trained Operator**.



Note:

Forward, backward, front, rear, left or right are intended with reference to the operator's position, with the hands on the handlebar (3, Fig. C).

Control panel

(See Fig. B)

1. Control panel
2. Ignition key
3. Discharged battery warning light
4. Semi-discharged battery warning light
5. Charged battery warning light
6. Display
7. Display selection button: hour counter/ hour and minutes counter / battery voltage (V),
8. Filter shaker push-button (optional)
9. Panel fastening screws

Exterior general overview

(See Fig. C)

1. Serial number plate / technical data
2. Side broom latch
3. Handlebar
4. Drive lever
5. Knobs to adjust the handlebar inclination
6. Can holder
7. Hood
8. Rear wheels
9. Pivoting front wheel
10. Side broom
11. Main broom
12. Side broom lifting and adjusting knob
13. Left side skirt
14. Right side skirt
15. Front skirt
16. Rear skirt
17. Hopper
18. Hopper latch
19. Hopper handle
20. Manual filter-shaker handle
21. Main broom access door
22. Left main broom height adjuster

23. Right adjuster of the main broom height
24. Main broom right door
25. Main broom right door fastening screws
26. Brake pedal on front wheel (optional)
27. Front skirt lifting lever

Under hood

(See Fig. U)

1. Hood (open position)
2. Batteries
3. Battery connector
4. Electronic battery charger
5. Battery charger power cord
6. Circuit breaker
7. Side broom motor fuse
8. Battery caps (Lead-acid battery)
9. Lead (WET) or gel (GEL) battery selector switch (positioned on the optional electronic battery charger)
10. Battery connection diagram
11. Charged battery warning light
12. Main broom belt
13. Drive belt
14. Drive pulley for main broom
15. Drive pulley for rear wheels
16. Fan
17. Main electric motor
18. Signal circuit fuse
19. Hood opening switch
20. Serial number plate / technical data
21. Grounding chain

TECHNICAL DATA

Dimensions	Values
Cleaning width (without side broom)	600 mm (23.62 in)
Cleaning width (with side broom)	820 mm (32.3 in)
Machine length	1070 mm (42.18 in)
Machine width, (without side broom)	773 mm (30.43 in)
Height when the handlebar is lowered	836 mm (32.91 in)
Minimum height from ground	40 mm (1.6 in)
Handlebar height, (minimum/ maximum)	824/1120 mm (32.4/44 in)
Main broom size	ø 245 x 600 mm (9.65x23.62 in)
Side broom size	ø 347 mm (13.7 in)
Max speed	4.4 Km/h (2.7 mph)
Maximum slope	2 %
Hopper capacity	50 l (1.7 ft ³)
Machine total weight (without battery)	100.9 Kg (222.4 lb)

Front wheel, steering	ø 125/37.5-50 mm (4.92/1.48-1.97 in)
Rear wheels, driving	ø 250 x 50 mm (ø9.84x1.97 in)
Electric motor	600W (0.8 hp)
Weighted sound pressure level (L _{pA})	64 dB(A)

Batteries

- Lead, with acid electrolyte (WET)
- Gel, hermetic (GEL)

The machine setting performed at the factory is for lead – acid (WET) batteries.

Battery voltage	12 V
Usable battery capacity	Max. 240 Ah
Battery compartment size	398x262x283 (15.7x10.3x 11.1 in)

Dust control and filter

Paper dust filter 5-10 µm	2 m ² (22 ft ²)
Electric filter-shaker (optional)	12V, 30W
Vacuum in main broom compartment	4 mm H ₂ O (0.63 in H ₂ O)

Diagram

Wiring diagram. See Figure V.

ELECTRICAL PROTECTIONS

Circuit breaker:	6, Fig. U
Side broom fuse:	7, Fig. U
Signal circuit fuse	18, Fig. U

ACCESSORIES / OPTIONS

In addition to the standard components, the machine can be equipped with the following accessories/options, according to the specific machine use:

1. Gel battery/ies
2. Main and side broom with harder and softer bristles
3. Antistatic polyester or polyester BIA C dust filter
4. Electric filter shaker
5. Front wheel with brake pedal
6. Different skirt types

For further information concerning the optional accessories, contact an authorized retailer.

MACHINE USE



WARNING!

On the machine there are some decals indicating:

- DANGER
- WARNING
- CAUTION
- CONSULTATION

Using this Manual, the operator must learn the meaning of these symbols.

Do not cover these decals for any reason and in case of damage, replace them immediately.

BATTERY CHECK/INSTALLATION ON A NEW MACHINE



NOTE:

Battery charger must be connected to the batteries for machine to function.

The machine needs a 12 V battery or two 6 V batteries connected according to the diagram (10, Fig. U).

The machine can be equipped in one of the following ways:

- a. A lead or gel battery installed on the machine and ready to be used.
- b. A lead battery installed on the machine but without electrolyte.
- c. Without a battery.

According to these conditions, follow the instructions as described below.

- a. Lead or gel battery installed on the machine and ready to be used.
 1. Open the hood (7, Fig. C) and check that the battery is connected to the machine using the appropriate connector (3, Fig. U).
 2. Lower the hood and check that it is closed correctly (the hood must be as shown in Fig. C).
 3. Insert the ignition key (2, Fig. B) in the control panel and turn it to the "I" position (without pulling the lever 4, Fig. C).
If the green warning light (5, Fig. B) turns on, the battery is charged and ready to be used. Otherwise the battery needs to be charged (refer to the procedure in the Maintenance chapter).
- b. Lead battery installed on the machine but without liquid electrolyte
 1. Open the machine hood (7, Fig. C).
 2. Remove the battery caps (8, Fig. U).



WARNING!

Please pay strict attention when working with sulfuric acid, as it is corrosive. If it comes in contact with the skin or the eyes, wash thoroughly with water and consult a physician.

Battery has to be filled in a properly ventilated area. Use protective gloves

3. Fill up each battery cell with sulfuric acid for batteries (density from 1.27 to 1.29 Kg at 25°C) in accordance with the instructions specified in the Battery Use and Maintenance Manual. The correct quantity of sulfuric acid is indicated in the Battery Use and Maintenance Manual.
4. Let the battery rest and fill with sulfuric acid in accordance with the instructions specified in the Battery Use and Maintenance Manual.
5. Proceed with charging the batteries (refer to the procedure in the Maintenance chapter).
- c. Battery not supplied
1. Buy an appropriate battery (See Technical Characteristics paragraph and the diagram 10, Fig. U). Consult qualified battery retailers to choose and install the battery.
2. Proceed with machine and battery charger setting according to the chosen battery type (lead-acid or gel).
3. Proceed with charging the batteries.

BATTERY INSTALLATION AND BATTERY TYPE SETTING (WET OR GEL)



NOTE:

Battery charger must be connected to the batteries for machine to function.

According to the battery type (lead – acid or gel) chosen, perform the setting of the electronic board of the machine and the battery charger following the instructions as indicated below:

Machine setting (electronic board)

1. Turn the ignition key (2, Fig. B) to “0” position.
2. Open the hood (7, Fig. C).
3. The machine setting performed at the factory is for lead – acid (WET) batteries. If the setting corresponds to the chosen battery, go to the following paragraph, otherwise perform the following operations:
4. Disconnect the battery connector (3, Fig. U).
5. Remove the screws (9, Fig. B) and remove the control panel (1, Fig. B) with care.

6. Install the jumper wire (1, Fig. T) on the “WET” connectors (2, Fig. T) for lead batteries or on the “GEL” connectors (3, Fig. T) for gel batteries.
7. Reinstall the control panel and tighten the screws (9, Fig. B).
8. Reconnect the battery connector (3, Fig. U).
9. Close the hood (7, Fig. C).

Battery charger setting

1. Turn the key (2, Fig. B) to the “0” position; open the hood (7, Fig. C) and switch the selector (9, Fig. U) to (WET) for lead – acid batteries or to (GEL) for gel batteries.
2. Install the battery on the machine according to the diagram (10, Fig. U).
3. Proceed with charging the batteries (see the procedure in the Maintenance chapter).

BEFORE START-UP



WARNING!

Ensure that the hopper (17, Fig. C) is correctly closed before starting up the machine.

STARTING AND STOPPING THE MACHINE

At every start-up

1. Insert the ignition key (2, Fig. B) in the control panel; turn it to the “I” position [without pulling the lever (4, Fig. C)], then check that the green warning light (5, Fig. B) turns on.
2. If the warning light becomes yellow or red (3 or 4, Fig. B) turn the ignition key to “0” position and remove it. Proceed with recharging the batteries (see the procedure in the Maintenance chapter).

Starting the machine

1. Adjust the handlebar (3, Fig. C) by means of the knobs (5), to reach a comfortable position.
2. Lower the side broom (10, Fig. C), disengage the handle (12) from its latch (2) and lower the knob (without turning it).



NOTE:

the side broom (10, Fig. C) can be lowered also when it is running.

3. Turn the ignition key (2, Fig. B) to the “I” position without pulling the traction lever (4, Fig. C).
4. Check that the green warning light (5, Fig. B) (charged battery) turns on. If the warning light becomes yellow or red (3 or 4, Fig. B), turn the ignition key to the “0” position and then proceed

- with recharging the battery. (See related chapter).
- Pull the drive lever (4, Fig. C) with care until the machine starts to move.
The speed is proportional to the pressure applied to the drive lever (4, Fig. C).

Stopping the machine

To stop the machine, release the drive lever (4, Fig. C) completely and pull back on handle bar.

To stop the brooms from rotating, turn the key (2, Fig. B) to "0" position.

To lift the side broom (10, Fig. C), lift the knob (12, Fig. C) (without turning it) and align the latch with the slot in the plastic chassis. Rotate the knob (12) forward to engage the latch (2).

MACHINE OPERATION

- Avoid stopping for a long time with the machine in the same position and the brooms still rotating: this could create unwanted marks on the floor.
- To pick-up large debris, lift the front flap by pulling the lever (21, Fig. C); keep in mind that during this operation the dust control of the machine will decrease.
- For proper machine operation, the dust filter must be as clean as possible. To clean the filter while sweeping proceeds as follows according to the type of filter-shaker installed:
 - Manual filter - shaker:** turn the ignition key in the "0" position, then pull the handle (20, Fig. C) outward until the end of the stroke is reached and then release it: the return spring strikes the dust filter frame and shakes it. Repeat this operation several times. Turn the ignition key in the "I" position to continue working.
 - Electric filter-shaker** (optional) press and hold the filter-shaker button (8, Fig. B) for a few seconds.



NOTE:

Repeat the operation at least every ten minutes while working (according to the dust conditions)



NOTE:

During this operation the electric motors and all machine functions are automatically stopped.



NOTE:

When the hopper and/or filter are full the machine can not collect more dust and debris.



CAUTION!

To avoid damaging the dust filter do not sweep wet floors or ground.

The hopper (17, Fig. C) should be emptied after each working period and whenever it is full.

EMPTYING THE HOPPER

- Release the drive lever to stop the machine.
- Turn the ignition key (2, Fig. B) to the "0" position.
- Disengage the hopper latch (18, Fig. C) by pulling the bottom outward.
- Using the hopper handle (19, Fig. C) remove the hopper (17, Fig. C) from the machine and empty it.
- Return the hopper to its normal operating position and engage the hopper latch (18, Fig. C).
- The machine is ready to start sweeping again.

AFTER MACHINE USE

When finished working:

- Clean the filter using the manual filter shaker (20, Fig. C) or the electric filter-shaker, if equipped, by pressing the filter shaker button (8, Fig. B).
- Empty the hopper (17, Fig. C) (see previous paragraph).
- Lift the side broom by lifting the knob (12, Fig. C).
- Remove the ignition key (2, Fig. B) from the machine.
- Ensure that the machine cannot move independently.
- Activate the optional brake pedal (26, Fig. C).

PUSHING THE MACHINE

The machine can be moved by pushing it both with the ignition key (2, Fig. B) in the "0" and in the "I" positions.

MACHINE STORAGE

If you foresee that the machine will not be used for more than 30 days, proceed as follows:

- Move the machine to a suitable indoor storage area.
- Disconnect the battery connector (3, Fig. U).
- Lift the machine so that the skirts, the main broom and the wheels do not touch the ground.
- Disconnect the positive battery terminal (+) from the positive battery (+) pole.

MAINTENANCE

The proper and safe machine operation is guaranteed by careful and regular maintenance.

The following table sums up the scheduled maintenance for the machine. The indicated periods can be subjected to variations according to working conditions. These variations must be defined by the person in charge of the maintenance.



WARNING!

Maintenance operations are to be carried out with the machine off, the ignition key removed and (if required) the battery disconnected.

Moreover, carefully read the instructions in the Safety chapter.

All periodic or extraordinary maintenance operations must be performed by skilled personnel, or by an authorized service center.

This manual describes only the easiest and most common maintenance procedures.



NOTE:

For other maintenance procedures, see the specific “Service Manual” that can be consulted at the Advance Service Center.

SCHEDULED MAINTENANCE TABLE

Maintenance operation	On delivery	Every 10 hours	Every 50 hours	Every 100 hours	Every 200 hours	Every 400 hours
Battery liquid level check	●	● (1)				
Drive belt visual inspection: traction, main broom	●			● (*)		
Skirt height and operation check	●		●			
Side and main broom height check		●				
Dust filter cleaning and integrity check		● (1)				
Electric filter-shaker (optional) operation check			● (*)			
Nut and screw tightening check				● (*)		
Drive belt tensioner adjustment			● (*)			
Drive belt replacement: traction, main broom					● (*)	
Main electric motor carbon brushes check or replacement						● (*)
Hood opening switch operation check			● (*)			

(*): For the related procedure see “Service Manual”.

(1): Or before each start.

MAIN BROOM HEIGHT CHECK



NOTE:

Brooms with harder or softer bristles are available. This procedure is applicable for all types of brooms.

1. Check the correct main broom height from the ground (not carpet), proceeding as follows:
 - a. With the machine on level ground, keep the machine stationary and allow the main broom to rotate for several seconds.
 - b. Stop the main broom and move the machine.
 - c. Check that the main broom pattern (1, Fig. D), proper width, is from 2 to 4 cm (0.8-1.6 in) on the type of surface where the machine will be used.
 - d. If the pattern (A) is different, it is necessary to adjust the broom height, proceeding as described in step 2.
2. With the machine on level ground, activate the brake pedal (26, Fig. C) (if equipped), or block the wheels
3. Turn the ignition key (2, Fig. B) to the "0" position.
4. Loosen the knobs (1, Fig. E) on both side of the machine.
5. Using the knobs (1, fig. E) on both sides of the machine, rotate the broom height adjuster indicator (2) as necessary and then retighten the knobs (1).



NOTE:

The indicator (2) does not have to be at the same position on both sides of the machine; the maximum difference allowed is 2 notches to obtain a correct broom pattern (1, Fig. D) from 2 to 4 cm (0.8 – 1.6 in) as described in step 1.

6. Perform step 1 again to check the proper adjustment of the main broom height from ground.
7. When the broom becomes too worn, adjustment is no longer possible. Replace the broom following the instructions in the following chapter.



CAUTION!

A main broom pattern in excess of 4 cm (1.6 in) compromise the normal function of the machine and can overheat the electrical components, drastically reducing their life.

Pay particular attention when checking the main broom height (broom pattern) and never operate the machine outside the specifications listed above.



CAUTION!

It is advisable to use protective gloves when replacing the main or side broom because there can be potentially harmful debris between the bristles.

MAIN BROOM REPLACEMENT



NOTE:

Brooms with harder or softer bristles are available. This procedure is applicable to each type of broom.

1. With the machine on level ground activate the brake (26, Fig. C) (if equipped) or block the wheels.
2. Turn the ignition key (2, Fig. B) to the "0" position.
3. Loosen the knobs (1, Fig. E) on both sides of the machine.
4. Move the broom height adjuster indicators (2, Fig. E) until the broom reaches the maximum distance from the ground. Retighten the knobs (1).
5. Open the cover (7, Fig. C).
6. On the left side of the machine, remove the knob (3, Fig. E).
7. Remove the broom cover (1, Fig. F) by rotating the top of the cover outward and lifting upward to disengage the retainers (2).
8. Remove the broom (1, Fig. G) by sliding it out slowly.
9. Check that both broom hubs (4, Fig. R) are free of dirt and foreign materials (cords, rope, etc.) accidentally rolled up.
10. The new broom must be installed with the curve of the bristle rows (1, Fig. H) as shown in figure (top view).
11. Slide the new broom into the broom housing and align the main broom hub (1, Fig. I) with the drive hub (4, Fig. R).
12. Reinstall the broom cover (1, Fig. F) by engaging the retainers (2) and aligning the plastic broom core with the broom hub and pushing the top of the door inward.
13. Retighten the knob (3, Fig. E).
14. Carry out the Main Broom Height Adjustment as described in the previous paragraph.

SIDE BROOM HEIGHT ADJUSTMENT



NOTE:

Brooms with harder or softer bristles are available. This procedure is applicable to each type of broom.

1. Check the correct height of the side broom from the ground, by proceeding as follows:
2. With the machine on level ground, lower the side broom by disengaging the side broom latch (2, Fig. C).
3. Keep the machine stationary and allow the side broom to rotate for a few seconds.
4. Stop the side broom and move the machine.
5. Check that the side broom pattern is as shown in figure J. If it is different, adjust the broom height as described in the following step.
6. Rotate the knob (12, Fig. C) clockwise or counter-clockwise to adjust the broom height from the ground.
7. Perform steps from 1 to 5 again to check the proper adjustment of the side broom height from the ground.
8. When the broom becomes too worn, adjustment is no longer possible. Replace the broom following the instructions in the following paragraph.

SIDE BROOM REPLACEMENT



NOTE:

Brooms with harder or softer bristles are available. This procedure is applicable to each type of brooms.

1. Turn the ignition key (2, Fig. B) to the "0" position.
2. Slide your hand under the side broom and press the two tabs (1, Fig. K) inward and then push the broom (2, Fig. K) downward to disengage it from the four pins (3, Fig. K) on the side broom hub.
3. Install the new broom on the machine by aligning it on the pins (3, Fig. K) and then pressing it onto the two tabs (1, Fig. K).
4. Carry out the Side Broom Height Adjustment as described in the previous paragraph.

DUST FILTER CLEANING AND INTEGRITY CHECK



NOTE:

Besides the standard paper filter, optional polyester filters are available. The following procedure is applicable to each type of filter.

1. With the machine on level ground, activate the brake pedal (26, Fig. C) (if present), or block the wheels.
2. Turn the ignition key (2, Fig. B) to the "0" position.
3. Disengage the hopper latch (18, Fig. C).
4. Using the handle (19, Fig. C) remove the hopper (17, Fig. C) from the machine.
5. Rotate the filter clamp (1, Fig. L) upward (approximately 90°) and let the top of the filter frame (2) rotate outward.
6. Pull the dust filter (3, Fig. L) upward to remove it.
7. In a well-ventilated, outdoor area, clean the filter by gently tapping the side of the filter (1, Fig. M), opposite to the wire screen (2) on the ground.
8. Finish cleaning the filter by using compressed air (3, Fig. M) of max. 6 bars (87 psi), blowing only from the side protected by the wire screen (2, Fig. M).

According to the type of filter, take care of the following cautions:

- Paper filter (standard): do not use water or detergents to clean it; the filter can be damaged.
 - Polyester filter (optional): to clean it, follow the instructions mentioned in number 7 above. For better cleaning, wash the filter with water and non-foaming detergents. This type of washing will clean the filter better, but it reduces the life of the filter. The use of inadequate detergents can damage the filter. Check the filtering medium body for cuts or holes.
9. If necessary clean the filter compartment rubber seal (4, Fig. L) along its perimeter and check its integrity. If necessary replace it.
 10. Install in the reverse order of removal.



NOTE:

Reinstall the filter with the wire screen (2, Fig. M) facing the front part of the machine (toward the fan (16, Fig. U)).

SKIRT HEIGHT AND OPERATION CHECK

1. With the machine on level and adequate ground to check the skirt height, activate the brake pedal (26, Fig. C) (if present), or block the wheels.
2. Turn the ignition key (2, Fig. B) to the "0" position.

Side skirt check

3. Check the side skirt (13 and 14, Fig C) integrity. Replace the skirts when they have cuts (1, Fig N) larger than 20 mm (0.75 in) or cracks (2) larger than 10 mm (0.5 in) (see the "Service Manual" for Skirt Replacement).
4. Check that the side skirt (13 and 14, Fig. C) height from the ground is within 0 – 3 mm (0-1/8 in) (see figure O). If necessary adjust the skirt height, proceeding as follows:

Left skirt:

- a. Open the hood, loosen the knob (3, Fig. E) and remove the main broom access door (1, Fig. F), lifting upward to disengage the retainers (2).
- b. Adjust the skirt (3, Fig. F) height by loosening the two screws and using its slots (4, Fig. F).
- c. Install in the reverse order of removal.

Right skirt:

- a. Remove the Main Broom, as described in the related chapter.
- b. Remove the belt (12, Fig. U) from the pulley (14, Fig. U); to facilitate the operation, rotate the pulley (14, Fig. U) by rotating the fan (16, Fig. U).
- c. Remove the screws (25, Fig. C) and the right cover (24, Fig. C) together with the belt (12, Fig. U).
- d. On the machine, adjust the skirt (1, Fig. S) height by loosening the two screws (2, Fig. S) and using its slots.
- e. Install in the reverse order of removal.

Front and rear skirt check

5. Remove the main broom, as described in the related paragraph.
6. Check the front and rear skirts (1 and 2 Fig. Q) for integrity.
7. Replace the skirts when they have cuts (1, Fig N) larger than 20 mm or cracks (2) larger than 10 mm (see the "Service Manual" for Skirt Replacement).
8. Verify that:
 - the front skirt (1, Fig. P) drags lightly on the ground (like in Figure P) and that it raised off the ground.

- the rear skirt (1, Fig. O) must have an height from ground from 0 up to 3 mm (0.1 in) (like in Figure O).

9. If necessary, adjust the skirt height by loosening the four screws and using its slots (3, Fig. R).
10. Pulling on the front skirt lifting lever (27, Fig. C), verify that the front skirt (1, Fig. Q) rotates upward approximately 90° (like in Figure Q). Release, the lever and verify that the skirt returns to its initial vertical position and does not remain slightly elevated. If necessary, see the Service Manual for adjusting or replacing the skirt lifting cable.
11. Install in the reverse order of removal.

BATTERY CHARGING



WARNING!

Battery charging produces explosive hydrogen gas. Charge the batteries only in a well-ventilated area and far from open flames or sparks.

Do not smoke during battery charging. Keep the hood open while recharging the battery.



WARNING!

Pay attention during battery recharging because there can be battery liquid leakage. The battery liquid is corrosive. If it comes in contact with the skin or eyes rinse thoroughly with water and consult a physician.

1. Drive the machine on level ground and activate the brake pedal (26, Fig. C) (if present), or block the wheels.
2. Turn the ignition key (2, Fig. B) to the "0" position.
3. Open the hood (7, Fig. C).
4. Only for lead-acid batteries, check the correct level of electrolyte inside the battery; if necessary, fill through the caps (8, Fig. U) to the required level.
5. Leave the caps (8) open for the next recharging.
6. Clean (if necessary) the upper surface of the battery.
7. Connect the battery charger electrical cable (5, Fig. U) to the electrical supply (the system voltage and frequency must be compatible with the battery charger: see the Battery Charger Manual).
8. When the green warning light (11, Fig. U) turns on, the battery is charged.



NOTE:

For further information about the battery charger (4, Fig. U) see the related Manual.

9. Disconnect the battery charger electrical cable (5, Fig. U) from the electrical supply and put it back into its housing in the machine.
10. Reassemble the battery caps (8, Fig. U)
11. Close the hood (1, Fig. U); the machine is ready to be used.



NOTE:

When the battery charger is connected to the electrical supply, all machine functions are automatically shut off.

SAFETY FUNCTIONS AND TROUBLESHOOTING

HOOD SAFETY SWITCH

It is activated when the machine hood is lifted up: it stops all machine functions.

In the case where the machine starts even when the hood is open, contact an authorized Service Center or Retailer for Service.

TROUBLESHOOTING

TROUBLE	SOLUTION
When the key is in the "I" position, the machine does not start.	Check that the connector 3, Fig. U is properly connected.
	Check that the hood is properly closed.
	Check the circuit breaker (6, Fig. U).
	Check the Electronic circuit fuse (18, Fig. U) integrity
	Check that the battery charger is properly connected to the battery/ies and/or the battery charger is not plugged in to recharge the battery/ies.
The side broom does not operate	Check the side broom fuse (7, Fig. U) integrity
The machine operates only when stationary, otherwise the red warning light turns on.	Re-charge the battery. If the problem persists, replace the battery.
The circuit breaker (6, Fig. U) trips frequently.	Check if the main broom pattern is not wider than 4 cm (1.57 in)
	Check that the machine is not working on slopes higher than 2%
	Check if debris is not blocking the main broom rotation
The battery run time is low.	Install a battery with greater capacity. (Min. 140Ah)



NOTE:

If your machine has a battery charger installed, the machine can not operate if the charger is not on board. In case of battery charger malfunction, contact an Authorized Service Center.

For further information consult the Service Manual at any Advance Service Center.

SCRAPPING

Have the machine scrapped by a qualified dismantler. Before scrapping the machine, remove the following components:

1. Battery
2. Polyester dust filter
3. Main and side brooms.
4. Circuit board



CAUTION!

The removed components must be disposed of properly and according to all applicable laws.

INTRODUCTION	14
BUT ET CONTENU DU MANUEL	14
DONNEES D'IDENTIFICATION	14
AUTRES MANUELS DE REFERENCE	14
PIECES DE RECHANGE ET ENTRETIEN	14
MODIFICATIONS ET AMELIORATIONS	14
SECURITE - PREVENTION DES ACCIDENTS	14
SYMBOLES UTILISES	14
INSTRUCTIONS GENERALES	15
DEBALLAGE	16
DESCRIPTION DE LA MACHINE	16
CAPACITES OPERATIONNELLES BALAYEUSE TERRA 132B	16
CARACTERISTIQUES TECHNIQUES	17
PROTECTIONS ELETRIQUES	17
ACCESSOIRES/OPTIONS	17
UTILISATION	17
CONTROLE / PREPARATION DE LA BATTERIE SUR UNE MACHINE NOUVELLE	18
INSTALLATION DE LA BATTERIE ET ETABLISSEMENT DU TYPE DE BATTERIE (WET OU GEL)	18
AVANT LA MISE EN MARCHE	19
MISE EN MARCHE ET ARRET DE LA MACHINE	19
MACHINE AU TRAVAIL	19
DECHARGEMENT DU CONTENEUR DECHETS	20
APRES L'UTILISATION DE LA MACHINE	20
MOUVEMENT DE LA MACHINE PAR POUSSEE	20
INACTIVITE PROLONGEE DE LA MACHINE	20
ENTRETIEN	20
PLAN D'ENTRETIEN PROGRAMME	21
CONTROLE HAUTEUR BROSSE CENTRALE	21
REPLACEMENT BROSSE CENTRALE	22
REGLAGE HAUTEUR BROSSE LATERALE	22
REPLACEMENT BROSSE LATERALE	22
NETTOYAGE FILTRE POUSSIERES ET CONTROLE INTEGRITE	22
CONTROLE HAUTEUR ET FONCTIONNEMENT VOILETS	23
CHARGEMENT DE LA BATTERIE	24
FONCTIONS DE SECURITE ET DEPISTAGE DES PANNES	24
INTERRUPTEUR DE SECURITE OUVERTURE COFFRE	24
DEPISTAGE DES PANNES	25
MISE A LA FERRAILLE	25

INTRODUCTION

BUT ET CONTENU DU MANUEL

Ce manuel se propose de fournir au Client toutes les informations nécessaires afin qu'il puisse utiliser la machine correctement et la gérer dans la manière la plus sûre. Il comprend des informations relatives à l'Aspect Technique, le Fonctionnement, le Stockage de la Machine, l'Entretien, les Pièces de Rechange et les Conditions de Sécurité.

Ce Manuel s'adresse aux Opérateurs aussi bien qu'aux Techniciens préposés à l'Entretien de la machine.

Avant d'effectuer toute opération sur la Machine, les Opérateurs et les Techniciens Qualifiés doivent lire attentivement les instructions contenues dans ce texte. En cas de doutes sur la correcte interprétation des instructions, contacter le Fabricant pour avoir plus de renseignements.

DONNEES D'IDENTIFICATION

Le Numéro de Série et le Modèle de Votre Machine sont indiqués sur le marquage situé sous le coffre de la machine. (20, Fig. U).

L'année de fabrication de Votre machine est indiquée après le code de la date sur le numéro de série de la machine. (A04 signifie janvier 2004)

Ces informations sont nécessaires lors de la commande des pièces de rechange pour la machine et le moteur. Utiliser l'espace ci-dessous pour noter les données d'identification de Votre machine pour une référence future.

Modèle MACHINE:.....
Numéro de série MACHINE:.....

AUTRES MANUELS DE REFERENCE

- Le Manuel du chargeur de batterie électronique, qui est en dotation, doit être considéré comme une partie intégrante de ce manuel.

En outre les suivants manuels sont disponibles:

- Manuel d'entretien consultable chez les Services Après-vente Advance
- Catalogue des pièces de rechange, **équipé avec la machine**

PIECES DE RECHANGE ET ENTRETIEN

Pour toute nécessité concernant l'utilisation, l'entretien extraordinaire et les réparations, si nécessaires, il faut s'adresser au personnel qualifié ou directement aux Centres de Service Après-vente Advance et il ne faut utiliser que des pièces de rechange et accessoires originaux.

Pour l'assistance ou la commande de pièces de rechange et accessoires, contacter l'organisation Advance en spécifiant toujours le Modèle et le Numéro de série.

MODIFICATIONS ET AMELIORATIONS

Notre entreprise vise à un constant perfectionnement de nos produits et se réserve le droit d'effectuer des modifications et des améliorations, si nécessaires, sans l'obligation de sa part de modifier les machines déjà vendues.

Il est entendu que toute modification et/ou addition d'accessoires doit toujours être approuvée et réalisée par le Fabricant.

SECURITE - PREVENTION DES ACCIDENTS

Advance utilise la symbologie suivante pour signaler les conditions de danger potentielles. Lire toujours ces informations avec attention et prendre les précautions nécessaires pour protéger les personnes et les choses.

Aucun programme de prévention des accidents du travail ne peut résulter efficace sans la totale collaboration de la personne directement responsable du fonctionnement de la machine. La plupart des accidents qui peuvent survenir dans une entreprise, pendant le travail ou les déplacements, sont dus à l'inobservance des plus simples règles de prudence. Un utilisateur attentif et prudent est la meilleure garantie contre les accidents du travail et se révèle indispensable pour compléter n'importe quel programme de prévention.

SYMBOLES UTILISES



DANGER !

Indique un danger qui comporte des risques, même la mort, pour l'Utilisateur.



ATTENTION !

Il est utilisé pour avertir de l'exposition à un risque d'accident aux personnes.



AVERTISSEMENT !

Indique un avertissement ou une remarque sur des fonctions clé ou utiles. Prêter la plus grande attention aux segments de texte marqués par ce symbole.



CONSULTATION

Le Manuel doit être consulté avant toute opération.

INSTRUCTIONS GENERALES

Les avertissements et précautions spécifiques suivants informent sur les potentiels dangers de dommage à la machine ou aux personnes.



DANGER!

- **Porter la clé de mise en marche de la machine en position d'arrêt, débrancher la batterie, avant d'effectuer toute opération d'entretien/réparation.**
- Cette machine doit être utilisée exclusivement par un personnel formé et autorisé. L'utilisation de la machine est interdite aux enfants et aux personnes handicapées.
- Tenir les étincelles, les flammes et les matériaux fumants à distance des batteries. Des gaz tonnants fuient pendant l'utilisation ordinaire.
- S'enlever tous les bijoux lorsqu'on travaille près de composants électriques.
- Ne pas travailler sous la machine soulevée, sans des supports fixes de sécurité convenables.
- Ne pas opérer avec cette machine en présence de poudres, liquides ou vapeurs nuisibles, dangereux, inflammables et/ou tonnants.
- **En chargeant les batteries un gaz hydrogène très tonnant est produit. Garder le coffre en position ouverte pendant le cycle de rechargement des batteries et effectuer l'opération exclusivement en milieux bien aérés et loin de flammes libres.**
- **En cas d'installation à bord de batteries au plomb, ne pas incliner la machine de plus de 30° depuis l'horizontale pour aucune raison, car cela pourrait provoquer des pertes de liquide très corrosif. Au cas où il serait nécessaire d'incliner la machine pour l'entretien, enlever les batteries au plomb.**



ATTENTION !

- Avant d'effectuer toute activité d'entretien/réparation, lire avec attention toutes les instructions qui concernent l'entretien/réparation.
- Prendre les précautions convenables afin que les cheveux, les bijoux, les parties non adhérentes des vêtements ne soient pas capturés par les parties en mouvement de la machine.
- Ne pas fumer pendant le chargement des batteries.
- Ne pas laisser la machine sans surveillance et s'assurer que la clé de mise en marche est enlevée du tableau de bord et que la machine ne peut pas bouger de façon autonome.
- Ne pas utiliser sur des surfaces dont le gradient est supérieur à 2%.

- Ne pas laver la machine avec des jets d'eau directs ou sous pression ou avec des substances corrosives. Ne pas utiliser air comprimé pour le nettoyage général de la machine.
- Ne pas utiliser la machine dans des milieux particulièrement poussiéreux.
- Pendant l'utilisation de cette machine, faire attention à sauvegarder l'intégrité des autres personnes.
- La température de stockage doit être comprise entre 0°C et +40°C.
- La température de travail de la machine doit être comprise entre 0°C et +40°C.
- L'humidité doit être comprise entre 30% et 95%.
- Ne pas utiliser la machine comme moyen de transport.
- Ne pas faire travailler les brosses lorsque la machine est arrêtée pour ne pas endommager le plancher.
- En cas d'incendie utiliser un extincteur à poudre. Ne pas utiliser d'eau.
- Ne pas heurter contre des étagères ou des échafaudages, en particulier en présence de danger de chute d'objets.
- Adapter la vitesse d'utilisation aux conditions d'adhérence.
- Ne pas altérer pour aucune raison les protections prévues pour la machine, respecter scrupuleusement les instructions prévues pour l'entretien ordinaire.
- Ne pas enlever ou altérer les plaquettes placées sur la machine par le Fabricant.
- S'assurer que les éventuelles anomalies de fonctionnement de la machine ne dépendent pas du manque d'entretien. En cas contraire demander l'intervention de personnel autorisé ou d'un Service Après-vente autorisé.
- En cas de remplacement de pièces demander les pièces de rechange D'ORIGINE à un Concessionnaire ou Revendeur autorisé.
- Afin de garantir la sécurité et le bon fonctionnement de la machine, faire effectuer l'entretien programmé prévu par le chapitre spécifique de ce manuel par le personnel autorisé ou par un Service Après-vente autorisé.
- La machine ne doit pas être abandonnée lors de la mise à la ferraille, à cause de la présence de matériaux toxiques (batteries, huiles, etc.), sujets à des lois qui prévoient l'écoulement auprès de centres spéciaux (voir à ce propos le chapitre Mise à la ferraille).
- En conditions d'emploi conformes aux indications d'utilisation correcte, les vibrations ne provoquent pas de situations de danger. Le niveau de vibrations de la machine est inférieur à 2,5 m/s².

DEBALLAGE

Lors de la livraison de la machine, contrôler

attentivement que l'emballage en carton et la machine n'ont pas été endommagés pendant le transport. Si le dommage est évident, garder l'emballage de façon qu'il puisse être visionné par le Transporteur qui l'a livré. Le contacter immédiatement pour remplir une demande de dommages-intérêts.

Contrôler toujours que les composants suivants se trouvent toujours avec Votre machine:

1. Documentation technique: Manuels d'Emploi et d'Entretien de la balayeuse et du chargeur de batterie électronique, Catalogue des pièces de rechange
2. Fusible brosse latérale (1)
3. Câbles et bornes de batterie de rechange
4. Fusible électronique (1)

DESCRIPTION DE LA MACHINE

CAPACITES OPERATIONNELLES BALAYEUSE TERRA 132B

La balayeuse TERRA 132B est conçue et fabriquée pour le nettoyage (balayage) de planchers lisses et solides, de moquette rase, en milieux civils et industriels, et pour le collectage de poussières non dangereuses et déchets légers, en condition de complète sécurité, par un **Opérateur qualifié**.



REMARQUE:

toutes les références à en avant, en arrière, avant, droite, gauche ou arrière indiquées dans ce manuel doivent être considérées comme référées à l'opérateur en position de conduite, les mains sur le guidon (3, Fig. C).

Tableau de bord et commandes

(Voir Fig. B)

1. Tableau de bord
2. Clé de mise en marche
3. Témoin lumineux de batterie déchargée
4. Témoin lumineux de batterie presque complètement déchargée
5. Témoin lumineux de batterie déchargée
6. Afficheur données (Display)
7. Bouton-poussoir de sélection sur l'afficheur : compteur horaire / compteur horaire et minuteur / tension de la batterie (V)
8. Fusible secoueur électrique (optionnel)
9. Vis de fixation tableau

Vue extérieure générale

(Voir Fig. C)

1. Plaquette de Numéro de série / données techniques

2. Dispositif de retenue brosse latérale
3. Guidon
4. Levier d'activation
5. Poignées pour le réglage d'inclinaison du guidon
6. Porte-objet
7. Coffre
8. Roues arrière sur axe fixe
9. Roue avant tournante
10. Brosse latérale
11. Brosse centrale
12. Poignée pour le soulèvement et le réglage hauteur brosse latérale
13. Volet latéral gauche
14. Volet latéral droit
15. Volet avant
16. Volet arrière
17. Conteneur déchets
18. Crochet du conteneur déchets
19. Poignée du conteneur déchets
20. Poignée du secoueur manuel
21. Portillon amovible de la brosse centrale
22. Régulateur gauche de la hauteur de la brosse centrale
23. Régulateur droit de la hauteur de la brosse centrale
24. Portillon droit de la brosse centrale
25. Vis de fixation portillon droit de la brosse centrale
26. Frein à pédale sur la roue avant (optionnel)
27. Levier volet avant

Sous le coffre

(Voir Fig. U)

1. Coffre (en position ouverte)
2. Batteries
3. Connecteur de batterie
4. Chargeur de batterie électronique
5. Câble électrique de branchement du chargeur de batterie au réseau de courant
6. Coupe-circuit
7. Fusible brosse latérale
8. Bouchons de batterie (au plomb)
9. Sélecteur de la batterie au plomb (WET) ou au gel (GEL) positionné sur le chargeur de batterie électronique optionnel
10. Schémas d'installation de la batterie
11. Témoin lumineux de batterie déchargée
12. Courroie de la brosse centrale
13. Courroie de traction
14. Poulie de transmission pour brosse centrale
15. Poulie de transmission pour roues arrière
16. Ventilateurs
17. Moteur électrique principal
18. Fusible circuit de contrôle
19. Interrupteur de sécurité ouverture coffre
20. Plaquette de Numéro de série/données techniques
21. Chaîne de mise à terra

CARACTERISTIQUES TECHNIQUES

Dimensions	Valeurs
Largeur de nettoyage (sans brosse latérale)	600 mm (23,62 in)
Largeur de nettoyage (avec brosse latérale)	820 mm (32,3 in)
Longueur machine	1070 mm (42,18 in)
Largeur machine, sans brosse latérale	773 mm (30,43 in)
Hauteur avec guidon baissé	836 mm (32,91 in)
Hauteur minimum du sol	40 mm (1,6 in)
Hauteur guidon, minimum / maximum	824 /1120 mm (32,4/44 in)
Dimensions brosse centrale	ø 245 x 600 mm (9,65x23,62 in)
Dimensions brosse latérale	ø 347 mm (13,7 in)
Vitesse avec force de poussée maximum	4,4 Km/h (2,7 mph)
Pente maximum surmontable	2 %
Capacité conteneur déchets	50 l (1,7 pi ³)
Poids total machine sans batterie	100.9 Kg (222.4 lb)
Roue avant, de direction	ø 125/37.5-50 mm (4.92/1.48-1.97 in)
Roues arrière, de traction	ø 250 x 50 mm (ø9,84x1,97 in)
Moteur électrique	600W (0,8 Ch)
Niveau pression sonore pondérée (L _{pA})	64 dB(A)

Batteries

- Au plomb, avec électrolyte acide (WET)
 - Au gel, hermétique (GEL)
- L'établissement de fabrication de la machine est adéquat pour les batteries au plomb (WET).
- | | |
|--------------------------------|---------------------------------|
| Tension batterie | 12 V |
| Capacité batteries utilisables | Max. 240 Ah |
| Dimensions logement batteries | 398x262x283 (15,7x10,3x11,1 in) |

Aspiration et filtrage poussières

Filtre poussières, en papier de 5-10 µm	2 m ² (22 pi ²)
Secoueur électrique (optionnel)	12V, 30W
Dépression logement brosse centrale	4 mm H ₂ O (0,63 in H ₂ O)

Schéma

Schémas électriques, pour les équipements optionnels différents (Fig. V).

PROTECTIONS ELETRIQUES

Coupe-circuit:	6, Fig. U
Fusible brosse latérale:	7, Fig. U
Fusible circuit de contrôle	18, Fig. U

ACCESSOIRES/OPTIONS

Outre les composants présents dans le modèle standard, la machine peut être équipée avec les accessoires optionnels suivants, selon l'emploi spécifique de la machine:

1. Batterie(s) au gel
2. Brosses centrale et latérale avec poils plus ou moins durs par rapport au standard
3. Filtre poussières en polyester antistatique et en polyester BIA C
4. Secoueur électrique
5. Roue avant avec frein à pédale
6. Types différents de caoutchouc pour volets

Pour de plus amples informations relatives aux accessoires optionnels susmentionnés, adressez-
Vous à Votre Revendeur de confiance.

UTILISATION



ATTENTION !

Des adhésifs appliqués en certains points de la machine indiquent:

- DANGER
- ATTENTION
- AVERTISSEMENT
- CONSULTATION

Au moment de la lecture de ce manuel, l'opérateur doit comprendre le signifié de ces symboles.

Ne pas couvrir les adhésifs et les remplacer immédiatement en cas d'endommagement.

CONTROLE / PREPARATION DE LA BATTERIE SUR UNE MACHINE NOUVELLE



REMARQUE:

Connecter le chargeur de batterie aux batteries pour mettre en fonction la machine.

La machine requiert une batterie de 12 V ou deux batteries de 6 V branchées selon le schéma (10, Fig. U).

La machine peut être fournie selon une des méthodes suivantes:

- Avec batterie (au plomb ou au gel) installée sur la machine et prête pour l'utilisation.
- Avec batterie (au plomb) installée sur la machine, mais sans l'électrolyte liquide.
- Sans batterie

Selon le type d'équipement, effectuer les opérations suivantes.

a. Batterie (au plomb ou au gel) équipée et déjà installée sur la machine et prête pour l'utilisation.

- Soulever le coffre (7, Fig. C) de la machine et vérifier que la batterie est branchée à la machine par le connecteur spécifique (3, Fig. U).
- Baisser le coffre en s'assurant de sa fermeture correcte (la machine doit se présenter comme montré dans la Fig. C).
- Insérer sur le tableau de bord la clé de mise en marche (2, Fig. B); la tourner en position "I" (sans tirer le levier 4, Fig. C).

Si le témoin lumineux vert s'allume (5, Fig. B), la batterie est prête pour l'utilisation.

En cas contraire, il est nécessaire d'effectuer le chargement de la batterie (voir procédure au chapitre Entretien).

b. Batterie (au plomb) équipée et déjà installée sur la machine mais à sec (c'est à dire sans électrolyte liquide).

- Soulever le coffre (7, Fig. C) de la machine.
- Enlever les bouchons (8, Fig. U) de la batterie.



ATTENTION !

Faire attention pendant l'utilisation d'acide sulfurique, à cause de sa corrosivité; en cas de contact avec la peau ou les yeux, laver et rincer abondamment à l'eau et consulter un médecin.

Les batteries doivent être remplies dans un milieu bien aéré.

Utiliser les gants de protection.

- Remplir les éléments de la batterie avec acide sulfurique pour batteries (densité de 1,27 à 1,29 Kg à 25°C) selon les instructions spécifiées dans

le Manuel d'emploi de la batterie.

La quantité correcte de solution acide à insérer est indiquée dans le Manuel d'emploi de la batterie.

- Laisser reposer la batterie et remplir les éléments avec solution d'acide sulfurique, selon les instructions spécifiques indiquées dans le Manuel d'emploi de la batterie.
 - Effectuer le chargement de la batterie (voir procédure au paragraphe Entretien).
- c. Batterie non équipée**
- Acheter une batterie adéquate (voir paragraphe Caractéristiques Techniques et le schéma 10, Fig. T).
S'adresser aux revendeurs de batteries qualifiés pour le choix et l'installation.
 - Procéder à l'établissement de la machine et du chargeur de batterie (si installé) en fonction du type de batterie choisi.
 - Effectuer l'installation de la batterie.

INSTALLATION DE LA BATTERIE ET ETABLISSEMENT DU TYPE DE BATTERIE (WET OU GEL)

En fonction du type de batterie choisi (au plomb ou au gel), il est nécessaire d'effectuer l'établissement relatif de la carte électronique de la machine et du chargeur de batterie en opérant selon les indications suivantes:

Etablissement machine machine - tableau de bord

- Tourner la clé en position "0" (2, Fig. B)
- Soulever le coffre (7, Fig. C).
- L'établissement de fabrication de la machine est adéquat pour les batteries au plomb (WET). Si cet établissement correspond au type de batterie acheté, passer au paragraphe suivant. En cas contraire, effectuer les opérations suivantes :
- Débrancher le connecteur (3, Fig. U).
- Dévisser les vis (9, Fig. B) et enlever le tableau de bord (1, Fig. B) avec soin.
- Positionner la barrette (1, Fig. T) sur les connecteurs (3, Fig. T) "GEL" pour batterie au gel.
- Remonter le tableau de bord et serrer les vis (9, Fig. B).
- Brancher le connecteur (3, Fig. U) de nouveau.
- Fermer le coffre (7, Fig. C).

Etablissement chargeur de batterie

- Tourner la clé en position "0" (2, Fig. B) ; soulever le coffre (7, Fig. C) et positionner le sélecteur (9, Fig. U) en position "WET" pour batterie au plomb et en position "GEL" pour batterie au gel.
- Installer la batterie sur la machine en suivant le schéma (10, Fig. U).

- Effectuer le chargement de la batterie (voir procédure au paragraphe Entretien).

AVANT LA MISE EN MARCHÉ



ATTENTION !

S'assurer que le conteneur déchets (17, Fig. C) est correctement fermé avant la mise en marche de la machine.

MISE EN MARCHÉ ET ARRÉT DE LA MACHINE

A toute mise en marche

- Insérer la clé de mise en marche sur le tableau de bord (2, Fig. B); la tourner en position "I" [sans tirer le levier (4, Fig. C)], donc vérifier l'allumage du témoin lumineux vert (5, Fig. B).
- Dans le cas où le témoin lumineux jaune ou rouge s'allumerait (3 ou 4, Fig. B), repositionner la clé en position "O" et l'enlever. Effectuer donc le rechargement de la batterie (voir procédure au chapitre Entretien).

Mise en marche de la machine

- Régler le guidon (3, Fig. C) à l'aide des poignées (5), selon les exigences du conducteur.
- Baisser la brosse latérale (10, Fig. C) baissant (sans la tourner) la poignée (12) après avoir décroché son dispositif de retenue (2).



REMARQUE:

la brosse latérale (10, Fig. C) peut être baissée et soulevée même pendant son fonctionnement.

- Turner la clé de mise en marche (2, Fig. B) en position "I" sans tirer le levier d'activation (4, Fig. C).
- Vérifier l'allumage du témoin lumineux vert (5, Fig. B) (batterie chargée) Dans le cas où le témoin lumineux jaune ou rouge s'allumerait (3 ou 4, Fig. B), repositionner la clé en position "O" et effectuer le rechargement de la batterie. (Voir chapitre relatif).
- Tirer avec soin le levier d'activation (4, Fig. C) jusqu'à ce que la machine bouge. La vitesse d'avance est proportionnelle à la pression exercée sur le levier d'activation (4, Fig. C).

Arrêt de la machine

Pour arrêter la machine, il est suffisant de relâcher complètement le levier d'activation (4, Fig. B) et tirer en arrière le guidon.

Pour arrêter la fonction de rotation des brosses, tourner la clé (2, Fig. B) en position "O".

Pour soulever la brosse latérale (10, Fig. C), soulever (sans la tourner) la poignée (12, Fig. C) et aligner son dispositif de retenue avec l'orifice du boîtier en plastique. Tourner la poignée (12) en avant pour engrener le dispositif de retenue (2).

MACHINE AU TRAVAIL

- Ne pas s'arrêter pendant longtemps dans la même position avec les brosses qui tournent : des traces non désirées pourraient rester sur le plancher.
- Pour collecter les déchets légers et volumineux, actionner le volet avant en tirant le levier (27, Figure C). Ne pas actionner le levier avant pendant une durée prolongée pour ne pas compromettre l'efficacité d'aspiration de la machine.
- Pour un bon travail de balayage il faut que le filtre poussières soit le plus propre possible. Pour le nettoyage pendant le balayage, activer le secoueur, en opérant selon les indications suivantes en fonction du type de secoueur installé :
 - Secoueur manuel : porter la clé d'activation en position "O", tirer la poignée (20, Fig. C) vers l'extérieur jusqu'à fin de course, puis relâcher. Le ressort de rappel interne déterminera un coup sur le cadre du filtre poussières, en le secouant. Répéter l'opération décrite quelques fois. Reporter la clé de mise en marche en position "I" pour continuer le travail.
 - Secoueur électrique (optionnel) : garder le bouton-poussoir secoueur (8, Fig. B) appuyé pendant quelques secondes.



REMARQUE:

Répéter l'opération en moyenne toutes les 10 minutes pendant le travail (selon la quantité de poussière du milieu à nettoyer).



REMARQUE:

Pendant cette opération le moteur principal et toutes les autres fonctions sont automatiquement arrêtés.



REMARQUE:

Lorsque le conteneur déchets est plein et le filtre poussières est obstrué et/ou , la machine n'arrive plus à collecter ni de poussière ni de déchets.



AVERTISSEMENT !

Ne pas opérer sur une surface mouillée afin de ne pas endommager le filtre poussières.

Vider le conteneur déchets (17, Fig. C) chaque fois qu'il résulte être plein ainsi qu'à la fin du travail.

DECHARGEMENT DU CONTENEUR DECHETS

1. Arrêter la machine, en relâchant le levier d'activation.
2. Tourner la clé de mise en marche (2, Fig. B) en position "0".
3. Décrocher le crochet (18, Fig. C) en tirant son extrémité inférieure.
4. A l'aide de la poignée (19, Fig. C), enlever le conteneur déchets (17, Fig. C) et le vider.
5. Insérer à nouveau le conteneur déchets et accrocher le crochet (18, Fig. C).
6. La machine est prête pour reprendre le travail de balayage.

APRES L'UTILISATION DE LA MACHINE

A fin travail, avant d'abandonner la machine:

1. Nettoyer le filtre à l'aide de la poignée du secoueur manuel (20, Fig. C) ou du secoueur électrique, si équipé, en appuyant sur le bouton-poussoir spécifique (8, Fig. B).
2. Décharger le conteneur déchets (17, Fig. C) (voir les instructions au paragraphe précédent).
3. Soulever la brosse latérale à l'aide de la poignée (12, Fig. C).
4. Enlever la clé de mise en marche (2, Fig. B) de la machine.
5. S'assurer que la machine ne peut pas bouger de façon autonome.
6. Actionner le frein à pédale (26, Fig. C).

MOUVEMENT DE LA MACHINE PAR POUSSEE

La machine peut être mouvementée par poussée avec la clé de mise en marche (2, Fig. B) tournée en position "0" ou en position "I".

INACTIVITE PROLONGEE DE LA MACHINE

Si on ne prévoit pas d'utiliser la machine pendant plus de 30 jours, il est convenable d'effectuer les opérations suivantes:

- Déplacer la machine dans un endroit de stockage à l'intérieur approprié.
- Débrancher le connecteur (3, Fig. U) de la batterie.
- Soulever légèrement la machine de façon que les volets, la brosse centrale et les roues ne touchent pas le sol.
- Débrancher la borne positive (+) de la batterie directement du pôle positif (+) de la batterie.

ENTRETIEN

La durée de l'activité et la sécurité de fonctionnement de la machine sont garanties par un entretien soigné et régulier.

Le plan récapitulatif d'entretien programmé est reporté ci-dessous. Les périodicités indiquées peuvent subir des variations en fonction de conditions de travail particulières, à définir par le responsable de l'entretien.



ATTENTION:

opérations à exécuter avec la machine arrêtée, clé de mise en marche enlevée et (quand requis) avec la batterie débranchée.

En outre, lire attentivement toutes les instructions du chapitre Sécurité.

Toutes les opérations d'entretien programmé ou extraordinaire doivent être effectuées par un personnel qualifié ou par un Service Après-vente autorisé.

Dans ce manuel seulement les procédés des opérations d'entretien les plus simples et les plus récurrentes sont indiqués ci-dessous.



REMARQUE:

pour les procédures des autres opérations d'entretien prévues par le Plan d'entretien programmé, voir la publication spécifique "Manuel d'entretien", auprès des Services Après-vente.

PLAN D'ENTRETIEN PROGRAMME

Opération d'entretien	A la livraison	Toutes les 10 heures	Toutes les 50 heures	Toutes les 100 heures	Toutes les 200 heures	Toutes les 400 heures
Contrôle niveau liquide batterie	●	● (1)				
Contrôle visuelle courroies de transmission : traction, brosse centrale	●			● (*)		
Contrôle hauteur et fonctionnalité volets	●		●			
Contrôle hauteur brosses latérale et centrale		●				
Nettoyage filtre poussières et contrôle intégrité		● (1)				
Contrôle fonctionnement secoueur électrique (optionnel)			● (*)			
Contrôle serrage écrous et vis				● (*)		
Réglage tendeur courroies de traction			● (*)			
Remplacement courroies de transmission: traction, brosse centrale					● (*)	
Contrôle et remplacement brosses (ou charbons) moteur électrique principal						● (*)
Contrôle fonctionnement interrupteur de sécurité ouverture coffre			● (*)			

(*): pour la procédure relative, voir la publication "Manuel d'entretien"

(1): ou avant toute mise en marche.

CONTROLE HAUTEUR BROSSE CENTRALE



REMARQUE:

des brosses de dureté différentes sont équipées. La procédure ici décrite est applicable à tous les types de brosse.

1. Contrôler la hauteur correcte du sol (non du tapis) de la brosse centrale, en opérant selon les indications suivantes:
 - a. Porter la machine sur un plancher horizontal. En gardant la machine en position d'arrêt, faire tourner la brosse centrale pendant quelques secondes.
 - b. Arrêter la brosse centrale et donc déplacer la machine.
 - c. Vérifier que la trace (1, Fig. D) laissée par la brosse centrale en toute sa longueur est large de 2 à 4 cm (0,8-1,6 in) sur le type de surface où la machine sera utilisée.
 - d. Exclusivement au cas où la trace (A) résulterait différente, procéder au réglage de la hauteur de la brosse, en opérant comme indiqué au point 2.
2. Porter la machine sur une surface horizontale et, si équipé, activer le frein à pédale (26, Fig. C).
3. Tourner la clé de mise en marche (2, Fig. B) en position "0".
4. Desserrer les pommeaux (1, Fig. E) sur les deux côtés de la machine.

5. En opérant sur les pommeaux (1, Fig. E) déplacer l'index (2) de variation hauteur de la brosse, selon le besoin, sur les deux côtés de la machine, et puis visser les pommeaux (1).



REMARQUE:

l'index (2) doit être placé dans la même position sur les deux côtés de la machine; une différence de position de deux repères au maximum est admise, afin d'obtenir la trace (1, Fig. D) de 2 à 4 cm (0,8-1,6 in) définie au point 1..

6. Exécuter à nouveau le point 1 pour vérifier le réglage correct de la hauteur du sol de la brosse centrale.
7. Lorsque l'usure excessive de la brosse n'en permet plus le réglage, remplacer la brosse comme prévu dans le paragraphe suivant.



AVERTISSEMENT !

Une trace excessive (supérieure à 4 cm/1,6 in) de la brosse centrale compromet le fonctionnement régulier de la machine et peut provoquer la surchauffe des parties en mouvement et électriques, en réduisant leur durée. Prêter attention pendant l'opération de contrôle indiquée et ne pas faire fonctionner la machine en conditions différentes de celles décrites.



AVERTISSEMENT !

L'utilisation de gants de travail est conseillée pendant le remplacement et de la brosse centrale et de la brosse latérale à cause de la présence possible de déchets tranchants parmi les poils.

REPLACEMENT BROSSE CENTRALE



REMARQUE:

des brosses de dureté différentes sont équipées. La procédure ici décrite est applicable à tous les types de brosse.

1. Porter la machine sur une surface horizontale et, si équipé, activer le frein à pédale (26, Fig. C).
2. Tourner la clé de mise en marche (2, Fig. B) en position "0".
3. Desserrer les pommeaux (1, Fig. E) sur les deux côtés de la machine.
4. Déplacer les index (2, Fig. E) de variation hauteur brosse jusqu'à porter la brosse à la distance maximum du sol. Visser les pommeaux (1) de nouveau.
5. Ouvrir le coffre (7, Fig. C).
6. Desserrer le pommeau sur le côté gauche de la machine (3, Fig. E).
7. Enlever le couvercle (1, Fig. F) de la brosse en l'appuyant vers le bas pour dégager les dispositifs de retenue (2).
8. Enlever la brosse (1, Fig. G).
9. Vérifier que le moyeu entraîneur (4, Fig. R) est propre et non obstrué par objets (cordes, chiffons, etc.) enroulés accidentellement.
10. Préparer la brosse nouvelle pour l'installation, en la positionnant avec l'inclinaison des rangées des poils (1, Fig. H), comme montré dans la Figure, vue d'en haut.
11. Insérer dans la machine la brosse nouvelle et s'assurer que sa prise (1, Fig. I) s'insère dans le moyeu entraîneur spécifique (4, Fig. R).
12. Réinstaller le couvercle (1, Fig. F) de la brosse, en engageant les dispositifs de retenue.
13. Visser le pommeau (3, Fig. E).
14. Effectuer le réglage hauteur de la brosse centrale, comme indiqué dans le paragraphe précédent.

REGLAGE HAUTEUR BROSSE LATÉRALE



REMARQUE:

des brosses de dureté différentes sont équipées. La procédure ici décrite est applicable à tous les types de brosse.

1. Contrôler la hauteur correcte du sol de la brosse

latérale, en opérant selon les indications suivantes:

2. Porter la machine sur une surface horizontale et baisser la broche latérale.
3. En gardant la machine en position d'arrêt, faire tourner la brosse latérale pendant quelques secondes.
4. Arrêter la brosse centrale et donc déplacer la machine.
5. Vérifier que la trace laissée par la brosse latérale est, en extension et direction, comme montré dans la Figure J. Exclusivement au cas où la trace résulterait différente, procéder au réglage de la hauteur de la brosse, en opérant comme indiqué au point successif.
6. Tourner la poignée (12, Fig. C) dans le sens des aiguilles d'une montre, ou dans le sens inverse, pour régler la hauteur de la brosse du sol.
7. Effectuer à nouveau les opérations **du point 1 au point 5** pour vérifier le réglage correct de la hauteur du sol de la brosse latérale.
8. Lorsque l'usure excessive de la brosse n'en permet plus le réglage, remplacer la brosse comme prévu dans le paragraphe suivant.

REPLACEMENT BROSSE LATÉRALE



REMARQUE:

des brosses de dureté différentes sont équipées. La procédure ici décrite est applicable à tous les types de brosse.

1. Tourner la clé de mise en marche (2, Fig. B) en position "0".
2. Insérer la main à l'intérieur de la brosse latérale et appuyer sur les deux languettes (1, Fig. K) vers l'intérieur et donc enlever la brosse (2, Fig. K) en la dégageant des quatre pivots (3, Fig. K).
3. Installer la nouvelle brosse sur la machine en la bloquant sur les pivots (3, Fig. K) et sur les languettes (1, Fig. K).
4. Effectuer le réglage hauteur de la brosse centrale, comme indiqué dans le paragraphe précédent.

NETTOYAGE FILTRE POUSSIÈRES ET CONTRÔLE INTÉGRITÉ



REMARQUE:

outre le filtre en papier standard, des filtres en polyester sont à disposition en tant qu'accessoires optionnels. La procédure ici décrite est applicable à chacun de ces types.

1. Porter la machine sur une surface horizontale et, si équipé, activer le frein à pédale (26, Fig. C).
2. Tourner la clé de mise en marche (2, Fig. B) en position "0".

3. Décrocher le dispositif de retenue (18, Fig. C).
4. A l'aide de la poignée (19, Fig. C), enlever le conteneur déchets (17, Fig. C).
5. Tourner la poignée (1, Fig. L) vers le haut (environ 90°) et laisser tourner le cadre porte-filtre (2) vers l'extérieur.
6. Enlever le filtre poussières (3, Fig. L) vers le haut.
7. A l'extérieur, nettoyer le filtre en le secouant sur une surface horizontale et propre, en battant le côté (1, Fig. M), opposé à celui du tamis (2).
8. Compléter le nettoyage au moyen d'un jet perpendiculaire (3, Fig. M) d'air comprimé, 6 bar (87 psi) maximum, en soufflant uniquement du côté protégé par le tamis (2, Fig. M).
Observer en outre les indications suivantes selon le filtre traité:
 - Filtre en papier (standard) : ne pas le nettoyer avec eau ou détergents; cela pourrait entraîner son endommagement irrémédiable;
 - Filtre en polyester (optionnel) : pour on nettoyage, voir les instructions susmentionnées. Pour un nettoyage plus profond, il est possible de laver le filtre avec de l'eau et, éventuellement, avec des détergents non moussants. Ce type de lavage, même si meilleure du point de vue qualitatif, réduit la vie utile du filtre qui devra être remplacé plus souvent. L'utilisation de détergents pas adéquats peut compromettre les caractéristiques fonctionnelles du filtre.
Contrôler que le corps du filtre n'a pas de déchirures.
9. S'il est nécessaire, nettoyer le long du périmètre de la bague en caoutchouc (4, Fig. L) du logement filtre ; contrôler en outre que la bague est intacte. En cas contraire, la remplacer.
10. Pour la réinstallation, effectuer dans l'ordre inverse les opérations effectuées pendant la dépose.



REMARQUE:

Lors du remontage, positionner le filtre avec le tamis (2, Fig. M) tourné vers la partie avant de la machine (vers le ventilateur (16, Fig. U)).

CONTROLE HAUTEUR ET FONCTIONNEMENT VOLETS

1. Porter la machine sur une surface horizontale et adéquate en tant que plan de référence pour le contrôle de la hauteur correcte des volets. Si équipé, activer le frein à pédale (26, Fig. C) ou bloquer les roues.
2. Tourner la clé de mise en marche (2, Fig. B) en position "0".

Contrôle des volets latéraux

3. Vérifier l'intégrité des volets latéraux (13 et 14, Fig. C).
Remplacer les volets en présence de déchirures (1, Fig. P) supérieures à 20 mm/0,75 in ou de cassures (2) supérieures à 10 mm/0,5 in (voir Manuel d'entretien pour le remplacement des volets).
4. Vérifier que la hauteur des volets latéraux du sol (13 et 14, Fig. C) est comprise entre 0 et 3 mm/0-1,8 in (voir Fig. O). S'il est nécessaire, régler la hauteur des volets, en opérant selon les indications suivantes:

Volet gauche:

- a. Soulever le coffre, dévisser le pommeau (3, Fig. E) et enlever le couvercle gauche (1, Fig. F) de la brosse, en appuyant vers le bas pour dégager les dispositifs de retenue (2).
- b. Régler la hauteur du volet (3, Fig. F) en utilisant ses orifices oblongs (4, Fig. F).
- c. Pour la réinstallation des éléments déposés, effectuer dans l'ordre inverse les opérations effectuées pendant la dépose.

Volet droit:

- a. Déposer la brosse centrale, comme décrit dans le paragraphe spécifique.
- b. Enlever la courroie (12, Fig. U) de la poulie (14); pour faciliter l'opération, faire tourner la poulie (14, Fig. T) opérant manuellement sur le ventilateur (16, Fig. U).
- c. Dévisser les vis (25, Fig. C) et enlever simultanément le couvercle droit (24, Fig. C) et la courroie (12, Fig. U).
- d. Régler la hauteur du volet (1, Fig. S) en utilisant ses orifices oblongs (2, Fig. S).
- e. Pour la réinstallation des éléments déposés, effectuer dans l'ordre inverse les opérations effectuées pendant la dépose.

Contrôle volets avant et arrière

5. Déposer la brosse centrale, comme décrit dans le paragraphe spécifique.
6. Vérifier l'intégrité du volet avant (1, Fig. R) et du volet arrière (2).
7. Remplacer les volets en présence de déchirures (1, Fig. N) supérieures à 20 mm ou de cassures (2) supérieures à 10 mm (voir Manuel d'entretien pour le remplacement des volets).
8. Vérifier que:
 - le volet avant (1, Fig. P) frotte légèrement sur le plancher et que, de toute façon, il ne se détache pas du sol (voir Fig.)
 - le volet arrière (1, Fig. O) se trouve à une hauteur du sol de zéro à 3 mm (voir Fig.)
9. S'il est nécessaire, régler la hauteur des volets en utilisant leurs orifices oblongs (3, Fig. R).

10. Actionner le levier volet avant (27, Fig. C) et vérifier que le volet avant (1, Fig. Q) tourne vers le haut de 90° (voir Fig.); relâcher le levier et vérifier que le volet revienne en position initiale et qu'il ne reste pas dans une position intermédiaire. Si nécessaire, se référer au Manuel d'entretien pour le "Réglage ou remplacement du câble de commande volet avant".
 11. Pour la réinstallation des éléments déposés, effectuer dans l'ordre inverse les opérations effectuées pendant la dépose.
7. Brancher le câble électrique (5, Fig. U) du chargeur de batterie au réseau électrique (la tension de réseau et la fréquence doivent correspondre aux valeurs applicables au chargeur de batterie: voir le MANUEL D'EMPLOI de l'appareil)
 8. Lorsque le témoin lumineux vert (11, Fig. U) s'allume, la batterie est chargée.

CHARGEMENT DE LA BATTERIE



ATTENTION !

En chargeant les batteries un gaz hydrogène très tonnant est produit. Charger exclusivement en milieux bien aérés et loin de flammes libres ou étincelles.

Ne pas fumer pendant le chargement des batteries.

Garder le coffre ouvert pendant tout le cycle de rechargement de la batterie.



ATTENTION !

Faire attention pendant le rechargement de la batterie, à cause de la possibilité de perte de petites quantités de liquide. Ce liquide est corrosif; en cas de contact avec les yeux ou la peau, laver et rincer abondamment à l'eau et consulter un médecin.

1. Porter la machine sur une surface horizontale et, si équipé, activer le frein à pédale (26, Fig. C).
2. Tourner la clé de mise en marche (2, Fig. B) en position "0".
3. Soulever le coffre (7, Fig. C).
4. (Exclusivement pour les batteries au plomb) vérifier le niveau correct de l'électrolyte dans la batterie ; autrement faire l'appoint au moyen des bouchons (8, Fig. U).
5. Laisser tous les bouchons (8) ouverts pour le rechargement imminent.
6. S'il est nécessaire, nettoyer la surface supérieure de la batterie.



REMARQUE:

Pour de plus amples informations relatives au fonctionnement du chargeur de batterie (4, Fig. U), se référer au Manuel d'emploi spécifique.

9. Débrancher le câble électrique (5, Fig. U) du chargeur de batterie du réseau et le remettre dans le logement de la machine.
10. Refermer le coffre (1, Fig. U); la machine est prête pour l'utilisation.



REMARQUE:

lorsque le chargeur de batterie est branché au réseau, toutes les fonctions de la machine sont automatiquement exclues.

FONCTIONS DE SECURITE ET DEPISTAGE DES PANNES

INTERRUPTEUR DE SECURITE OUVERTURE COFFRE

Il est activé quand le coffre de la machine se soulève: il arrête toutes les fonctions.

Au cas où la machine démarrerait même avec le coffre soulevé, s'adresser immédiatement à un Service Après-vente autorisé ou à Revendeur de confiance.

DEPISTAGE DES PANNES

PROBLEME	SOLUTION
En tournant la clé en position "I" la machine ne démarre pas.	Vérifier le branchement correct du connecteur (3, Fig. U).
	Vérifier la fermeture correcte du coffre.
	Contrôler le coupe-circuit (6, Fig. U).
	Vérifier l'intégrité du fusible du circuit de contrôle (18, Fig. U)
La brosse latérale ne fonctionne pas.	Vérifier l'intégrité du fusible (7, Fig. U).
La machine fonctionne exclusivement en état d'arrêt, mais, sous effort, la machine s'éteint et le témoin lumineux rouge clignote.	Recharger la batterie. Au cas où le problème persisterait, remplacer la batterie.
Le coupe-circuit (6, Fig. U) se déclenche fréquemment	Vérifier que la trace laissée sur le sol par la brosse principale n'est pas supérieure à 4 cm/1,57 in.
	Vérifier que la machine n'est pas utilisée sur des surfaces en côte avec une pente supérieure au 2%.
	Vérifier que les déchets n'empêchent pas la rotation de la brosse centrale.
L'autonomie de la batterie est basse.	Installer une batterie avec capacité supérieure (min. 140 Ah)



REMARQUE:

Si Votre machine a un chargeur de batterie installé, la machine ne peut pas fonctionner si le chargeur n'est pas à bord. En cas d'anomalie, s'adresser auprès des Services Après-vente.

Pour de plus amples informations, s'adresser auprès des Services Après-vente, où on peut trouver le Manuel d'entretien.

MISE A LA FERRAILLE

Effectuer la mise à la ferraille de la machine auprès d'un démolisseur autorisé.

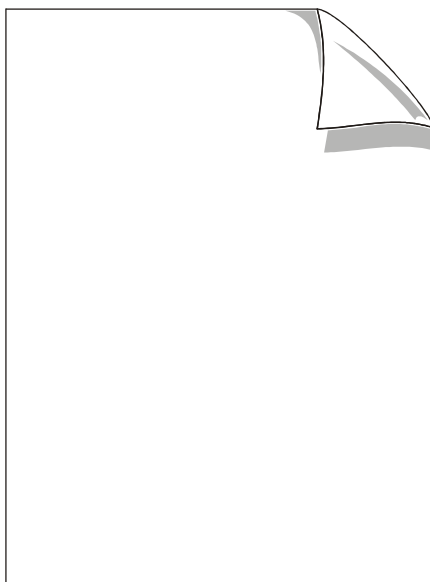
Avant la mise à la ferraille de la machine, il est nécessaire de déposer les éléments suivants:

1. Batterie
2. Filtre poussières en polyester
3. Brosses centrale et latérale
4. Carte des circuits



AVERTISSEMENT !

Les éléments déposés doivent être envoyés aux collectes sélectives, conformément aux Normes d'hygiène de l'environnement en vigueur.



INTRODUCCION	28
FINALIDAD Y OBJETO DE ESTE MANUAL	28
DATOS DE IDENTIFICACION	28
OTROS MANUALES DE REFERENCIA	28
PIEZAS DE REPUESTO Y MANTENIMIENTO	28
MODIFICACIONES Y MEJORAS	28
SEGURIDAD	28
SIMBOLOS	28
NORMAS GENERALES	29
DESEMBALAJE	30
DESCRIPCION DE LA MAQUINA	30
CAPACIDADES OPERATIVAS BARREDERA TERRA 132B	30
CARACTERISTICAS TECNICAS	31
PROTECCIONES ELECTRICAS	31
ACESORIOS/OPCIONES	31
USO	31
CONTROL/PREPARACION BATERIA EN LA MAQUINA NUEVA	31
INSTALACION BATERIA Y REGULACION DEL TIPO DE BATERÍA (WET O GEL)	32
ANTES DE LA PUESTA EN MARCHA	32
PUESTA EN MARCHA Y PARADA DE LA MAQUINA	33
MAQUINA EN FUNCION	33
VACIADO DEL CAJON	34
DESPUES DE LA UTILIZACION DE LA MAQUINA	34
DESPLAZAMIENTO DE LA MAQUINA MEDIANTE EMPUJE	34
PERIODO DE LARGA INACTIVIDAD DE LA MAQUINA	34
MANTENIMIENTO	34
ESQUEMA DE MANTENIMIENTO PROGRAMADO	35
CONTROL ALTURA CEPILLO CENTRAL	35
SUSTITUCION DEL CEPILLO CENTRAL	36
AJUSTE ALTURA DEL CEPILLO LATERAL	36
SUSTITUCION DEL CEPILLO LATERAL	36
LIMPIEZA FILTRO POLVOS Y CONTROL DE SU INTEGRIDAD	37
CONTROL ALTURA Y FUNCIONAMIENTO PUERTAS ABATIBLES	37
CARGA DE BATERIA	38
FUNCIONES DE SEGURIDAD Y BUSQUEDA AVERIAS	38
INTERRUPTOR DE SEGURIDAD APERTURA CAPO	38
BUSQUEDA AVERIAS	39
DESCARTE	39

INTRODUCCION

FINALIDAD Y OBJETO DE ESTE MANUAL

Este manual sirve para proveer al Cliente todas las informaciones necesarias para utilizar la máquina correctamente y de manera segura. Incluye informaciones técnicas, sobre el funcionamiento, el período de inactividad, el almacenamiento de la máquina, el mantenimiento, las piezas de repuesto y las condiciones de seguridad.

Este manual es para los Operadores y los Técnicos calificados para efectuar el mantenimiento de la máquina.

Antes de efectuar cualquier operación de mantenimiento, los Operadores y los Técnicos Calificados tienen que leer cuidadosamente las instrucciones incluidas en este manual. En caso de dudas sobre la correcta interpretación de las instrucciones, consulte el Fabricante para obtener explicaciones.

DATOS DE IDENTIFICACION

El Número de Serie y el Modelo de Vuestra Máquina están marcados en el bastidor y se pueden leer abriendo el capó. (20 Fig. U).

El año de fabricación de Vuestra máquina está indicado después del CODIGO FECHA en la placa serial (A04 significa Enero 2004).

Estas informaciones son necesarias cuando se piden piezas de repuesto para la máquina y el motor. Utilizar el espacio subyacente para escribir los datos de identificación de la máquina para todas referencias futuras.

Modelo MAQUINA:.....
Número de serie MAQUINA:.....

OTROS MANUALES DE REFERENCIA

- Manual del cargador de batería electrónico, que debe considerarse parte integrante de este manual.

Los siguiente manuales son también disponibles:

- Manual de Taller que se puede consultar cerca de los Centros de Asistencia Advance.
- Catálogo piezas de repuestos, en el **equipamiento de base de la máquina.**

PIEZAS DE REPUESTO Y MANTENIMIENTO

Para cualquier necesidad que se refiere a la utilización,

al mantenimiento suplementario y a las reparaciones, consultar el personal calificado o los Centros de Asistencia Advance. Se recomienda utilizar sólo piezas de repuesto y accesorios originales.

Para la asistencia o para ordenar piezas de repuesto o accesorios acuda a un Centro Advance, especificando siempre el Modelo y el Número de serie de su máquina.

MODIFICACIONES Y MEJORAS

Nuestra empresa está constantemente mejorando sus productos y se reserva el derecho de realizar modificaciones y mejoras a Su discreción, sin verse obligada a aplicar dichas ventajas a las máquinas vendidas previamente.

Sólo el Fabricante puede aprobar y efectuar cualquier modificación y/o instalación de accesorios.

SEGURIDAD

La siguiente simbología sirve para señalar situaciones de peligro potencial. Leer siempre cuidadosamente estas informaciones y tomar las precauciones necesarias para proteger personas y cosas.

Ningún programa de prevención de accidentes resulta eficaz sin la total cooperación de la persona directamente responsable del funcionamiento de la máquina. La mayoría de los accidentes que pueden producirse en una empresa, durante el trabajo o los traslados, son provocados por no observar las reglas de seguridad fundamentales. Un operador cuidadoso y cauto es la mejor garantía contra posibles accidentes y resulta más eficaz que cualquier programa de prevención.

SIMBOLOS



¡PELIGRO!

Indica un peligro con riesgo, incluso mortal, para el Usuario.



¡ATENCIÓN!

Se usa para indicar el riesgo de infortunios para las personas.



¡ADVERTENCIA!

Indica una advertencia o una nota sobre una función importante o útil. Tenga cuidado de las partes del texto marcadas con este símbolo.



CONSULTACION

Antes de efectuar cualquier operación consulte el Manual.

NORMAS GENERALES

Se describen aquí las advertencias y precauciones específicas por lo que se refiere a los potenciales riesgos de daños a la máquina o a las personas.



¡PELIGRO!

- **Antes de efectuar cualquier operación de mantenimiento/repación poner la llave de encendido en posición de apagado y desconectar la batería.**
- Sólo el personal calificado y autorizado puede utilizar esta máquina. Los niños y los minusválidos no pueden utilizar esta máquina.
- Tener chispas, llamas y materiales fumantes lejos de las baterías. Durante el uso normal pueden salir gases explosivos.
- Quitarse las joyas cuando se trabaja cerca de los componentes eléctricos.
- No trabajar bajo la máquina levantada si ésta no está fijada con adecuados soportes.
- No conducir esta máquina donde hay líquidos o vapores inflamables.
- **Cargando las baterías se produce gas hidrógeno muy explosivo. Tener el capó abierto durante las operaciones de carga de la batería y efectuar la carga solo en áreas muy bien ventiladas y lejos de llamas libres.**
- **En caso de baterías de plomo (wet) no inclinar por ninguna razón la máquina por más de 30°, porque el líquido muy corrosivo de las baterías podría sobresalir. Si fuera necesario inclinar la máquina para las operaciones de mantenimiento, quitar las baterías de plomo.**



¡ATENCIÓN!

- Antes de efectuar cualquier operación de mantenimiento/repación, leer cuidadosamente todas las instrucciones relacionadas al mantenimiento/ repación.
- Tomar todas las precauciones necesarias para que el pelo, las joyas y las ropas no sean capturados por las partes móviles de la máquina.
- No fumar cuando se cargan las baterías.
- No dejar la máquina sin custodia, sin haber sacado la llave de encendido y sin haberse asegurado que la máquina no puede moverse de manera autónoma.
- No utilizar sobre suelos con inclinación mayor a la indicada en el aparato.
- No lavar la máquina con chorros de agua directa o presurizada, o con sustancias corrosivas. No utilizar aire comprimido para limpiar este tipo de máquina.

- No utilizar la máquina en ambientes demasiado polvorientos.
- Cuando se utiliza esta máquina, tener cuidado de salvaguardar la incolumidad de las personas.
- La temperatura de almacenamiento debe estar entre los 0°C y los +40°C.
- La temperatura de la máquina en trabajo debe estar entre los 0°C y los +40°C.
- La humedad debe estar entre el 30% y el 95%.
- No utilizar la máquina como vehículo de transporte.
- No permitir que los cepillos funcionen mientras la máquina esta parada en un punto para evitar posibles danos al suelo.
- En caso de incendio utilizar un extintor de polvo. No usar agua.
- No chocar contra estanterías o andamios de los que puedan caer objetos.
- Ajustar la velocidad de funcionamiento según la adherencia al suelo.
- No adulterar por ninguna razón la máquina, respete escrupulosamente las instrucciones previstas para el mantenimiento ordinario.
- No quitar ni modificar las placas que el Fabricante ha colocado en la máquina.
- Cuando la máquina no funciona correctamente, asegurarse de que esto no sea causado por falta de mantenimiento. En caso contrario pedir la intervención del personal autorizado o del Centro de Asistencia autorizado.
- Si deben sustituirse piezas, solicitar piezas de repuesto ORIGINALES a un Concesionario y/o revendedor autorizado.
- Para asegurar condiciones de funcionamiento correcto y seguro, el personal autorizado o el Centro de Asistencia autorizado debe llevar a cabo el Mantenimiento Programado según las especificaciones del capítulo relacionado de este manual.
- La máquina nunca debe dejarse desentendida durante la fase de descarte, por la presencia de materiales tóxicos y dañinos (baterías, aceites, etc....) sujetos a normativas que exigen que se realice el descarte cerca de centros especiales (véase el capítulo Descarte).
- Si se utiliza la máquina de conformidad con las instrucciones, las vibraciones no engendran situaciones peligrosas. El nivel de vibraciones de la máquina es inferior a 2,5 m/s².

DESEMBALAJE

Al momento de la entrega, controlar atentamente el embalaje de cartón y la máquina por si hayan sufrido daños durante el transporte. Si el daño es evidente, conservar el embalaje así que el transportista que lo ha entregado lo pueda inspeccionar. Ponerse en contacto con él de inmediato para compilar una indemnización

daños y perjuicios.

Controlar que la máquina sea entregada junto a los siguientes componentes:

1. Documentación técnica: Manual de uso y mantenimiento de la barredera y del cargador de batería electrónico y Catálogo de las piezas de repuesto
2. Fusible cepillo lateral (1)
3. Cables y terminales de repuesto de la batería
4. Fusible electrónica.

DESCRIPCION DE LA MAQUINA

CAPACIDADES OPERATIVAS BARREDERA TERRA 132B

La barredera TERRA 132B es adecuada para barrer polvo no peligroso y residuos ligeros, en ambiente privado o industrial sobre suelos lisos y sólidos y sobre moqueta de pelo corto, en condiciones de seguridad, por parte de un **Operador calificado**.



Nota:

Las indicaciones de adelante, atrás, delantero, trasero, derecho e izquierdo en este manual se refieren a operador con las manos posicionadas sobre el manillar (3, Fig. C).

Tablero de control y mandos

(Véase Fig. B)

1. Tablero de control
2. Llave de encendido
3. Luz de aviso batería descargada
4. Luz de aviso batería casi descargada
5. Luz de aviso batería cargada
6. Visualizador
7. Pulsador de selección en el Display: Cuentahoras / cuentahoras y minutos / tensión de batería (V)
8. Pulsador del sacudidor del filtro (opcional)
9. Tornillos de fijación del tablero

Vista exterior general

(Véase Fig. C)

1. Placa número de series/datos técnicos
2. Retén cepillo lateral
3. Manillar
4. Palanca de activación
5. Empuñadura para el ajuste de la inclinación del manillar
6. Fusible de reactivación
7. Capó

8. Ruedas traseras en eje fijo
9. Rueda delantera giratoria
10. Cepillo lateral
11. Cepillo central
12. Empuñadura para levantar y ajustar la altura del cepillo lateral
13. Puerta abatible lateral izquierda
14. Puerta abatible lateral derecha
15. Puerta abatible delantera
16. Puerta abatible trasera
17. Cajón
18. Gancho del cajón
19. Manilla del cajón
20. Empuñadura del sacudidor del filtro manual
21. Portillo desplazable del cepillo central
22. Regulador izquierdo de la altura del cepillo central
23. Regulador derecho de la altura del cepillo central
24. Portillo derecho del cepillo central
25. Tornillos de fijación del portillo derecho del cepillo central
26. Freno de pedal en la rueda delantera (opcional)
27. Palanca para el levantamiento de la puerta abatible delantera

Bajo del capo

(Véase Fig. U)

1. Capó (abierto)
2. Batería
3. Conector batería
4. Cargador de batería electrónico
5. Cable eléctrico de conexión del cargador de batería a la red eléctrica
6. Fusible de reactivación
7. Fusible cepillo lateral
8. Tapones batería (de plomo)
9. Selector batería de plomo (WET) o de gel (GEL) posicionado sobre el cargador de batería electrónico opcional
10. Esquemas de instalación batería
11. Luz de aviso batería cargada
12. Correa del cepillo central
13. Correa de la transmisión
14. Polea de transmisión del cepillo central
15. Polea de transmisión de las ruedas traseras
16. Ventilador
17. Motor eléctrico principal
18. Fusible del circuito de control
19. Interruptor de seguridad apertura capó
20. Placa número de series/datos técnicos
21. Cadena puesta a masa

CARACTERISTICAS TECNICAS

Dimensiones

Amplitud de trabajo (sin cepillo lateral)

Valores

600 mm (23.62 in)

Amplitud de trabajo (con cepillo lateral)	820 mm (32.3 in)
Longitud de la máquina	1070 mm (42.18 in)
Amplitud máquina, sin cepillo lateral	773 mm (30.43 in)
Altura con manillar bajado	836 mm (32.91 in)
Altura mínima desde el suelo	40 mm (1.6 in)
Altura manillar, mínima/máxima	824 /1120 mm (32.4/44 in)
Dimensiones cepillo central	ø 245 x 600 mm (9.65x23.62 in)
Dimensiones cepillo lateral	ø 347 mm (13.7 in)
Velocidad con fuerza de empuje máxima	4,4 Km/h (2.7 mph)
Máxima inclinación que se puede superar	2 %
Capacidad cajón residuos	50 l (1,7 ft ³)
Peso total de la máquina sin batería	100.9 Kg (222.4 lb)
Rueda delantera, directriz	ø 125/37.5-50 mm (4.92/1.48-1.97 in)
Ruedas traseras, de tracción	ø 250 x 50 mm (ø9.84x1.97 in)
Motor eléctrico	600W (0.8 HP)
Nivel presión acústica ponderada (L _{pA})	64 dB (A)

Batería

- De plomo con electrolito ácido (WET)
- De gel, hermética (GEL)

La regulación en fábrica de la máquina es para baterías de plomo (WET).

Tensión de batería	12 V
Capacidad baterías utilizables	Máx 240 Ah
Dimensiones compartimiento batería	398x262x283 (15.7x10.3x11.1 in)

Aspiración y filtrado polvos

Filtro de polvos, de papel de 5-10 µm	2 m ² (22 ft ²)
Sacudidor del filtro eléctrico (opcional)	12V, 30W
Depresión compartimiento cepillo central	4 mm H ₂ O (0,63 in H ₂ O)

Diagramas

Diagramas eléctricos para las instalaciones opcionales.
Véase figura V.

PROTECCIONES ELECTRICAS

Fusible de reactivación:	6, Fig. U
Fusible cepillo lateral:	7, Fig. U
Fusible del circuito de control	18, Fig. U

ACESORIOS/OPCIONES

Además de los componentes instalados en la versión estándar, la máquina puede equiparse con los siguientes accesorios/opciones, según la utilización específica:

1. Batería/s de gel
2. Cepillos central y laterales con cerdas más o menos duras con respeto al estándar
3. Filtro polvos de poliéster antistático y de poliéster BIA C
4. Sacudidor del filtro eléctrico
5. Rueda delantera con freno de pedal
6. Tipos diferentes de cauchos puertas abatibles

Para informaciones suplementarias sobre accesorios opcionales, acuda a su revendedor.

USO



¡ATENCIÓN!

En unas partes de la máquina hay unos adhesivos que indican:

- PELIGRO
- ATENCION
- ADVERTENCIA
- CONSULTACION

Mediante la lectura de este manual, el operador tiene que aprender el sentido de estos símbolos.

Por ninguna razón estos adhesivos deben cubrirse y si están dañados tienen que sustituirse de inmediato.

CONTROL/PREPARACION BATERIA EN LA MAQUINA NUEVA



NOTA:

Conectar el cargador de baterías a las baterías para el funcionamiento de la máquina.

La máquina necesita una batería de 12 V o dos baterías de 6 V conectadas según el diagrama (10, Fig. U).

La máquina puede ser:

- Con batería (de plomo o gel) instalada en la máquina y lista para utilizarse.
- Con batería (de plomo) instalada en la máquina pero sin electrolito líquido.
- Sin baterías

Sobre la base del tipo de máquina, efectuar las operaciones siguientes.

a. Batería (de plomo o gel) instalada en la máquina y lista para utilizarse

- Abrir el capó (7, Fig. C) de la máquina y comprobar que la batería esté conectada a la máquina mediante el conector apropiado (3, Fig. U).
- Bajar el capó y cerrarlo correctamente (la máquina debe estar como muestra la Fig. C).
- Poner la llave de encendido (2, Fig. B) en el tablero de control; girarla en posición "I" (sin tirar la palanca 4, Fig. C).

Si la luz de aviso verde (5, Fig. B) se enciende, la batería está cargada y puede utilizarse.

En caso contrario es necesario cargar la batería (véase el procedimiento en el capítulo Mantenimiento).

b. Batería (de plomo) instalada en la máquina pero sin electrolito líquido

- Abrir el capó (7, Fig. C) de la máquina.
- Quitar los tapones (8, Fig. U) de la batería.



¡ATENCIÓN!

Tener mucho cuidado cuando se usa ácido sulfúrico porque es muy corrosivo. Si entra en contacto con la piel o los ojos lavar a conciencia con agua y consultar un médico.

Rellenar la batería en áreas muy bien ventiladas.

Utilizar guantes de protección.

- Rellenar los elementos de la batería con ácido sulfúrico para baterías (densidad de 1,27 a 1,29 Kg, a 25°C) de conformidad con las instrucciones especificadas en el Manual de uso de la batería. En el Manual está especificada la correcta cantidad de ácido de poner en la batería.
 - Esperar y rellenar los elementos de la batería con ácido sulfúrico según las instrucciones especificadas en el Manual de uso de la batería.
 - Cargar la batería (véase el procedimiento en el párrafo Mantenimiento).
- c. Sin batería**
- Comprar una batería adecuada (véase párrafo Características Técnicas y el esquema 10, Fig. T). Para escoger e instalar la batería acudir a un revendedor calificado.
 - Efectuar la regulación de la máquina y del cargador de batería (si instalado) según el tipo de batería escogido.

- Instalar la batería (véase el procedimiento en el párrafo Mantenimiento).

INSTALACION BATERIA Y REGULACION DEL TIPO DE BATERÍA (WET O GEL)



NOTA:

Conectar el cargador de baterías a las baterías para el funcionamiento de la máquina.

Según el tipo de batería instalado (de plomo o de gel) efectuar la regulación de la tarjeta electrónica de la máquina y del cargador de batería llevando a cabo las siguientes operaciones:

Regulación máquina

- Girar la llave en posición "0" (2, Fig. B)
- Abrir el capó (7, Fig. C).
- La regulación en fábrica de la máquina es para baterías de plomo (WET). Si la regulación corresponde al tipo de batería comprado, pasar al párrafo siguiente, en caso contrario llevar a cabo las operaciones siguientes:
- Desconectar el conector (3, Fig. U).
- Desenroscar los tornillos (9, Fig. B) y extraer cuidadosamente el tablero de control (1, Fig. B).
- Poner un conector puente (1, Fig. T) en los conectores (3, Fig. T) "GEL" para batería de gel.
- Reinstalar el tablero de control y apretar los tornillos (9, Fig. B).
- Desconectar el conector (3, Fig. U).
- Cerrar el capó (7, Fig. C).

Regulación cargador de batería

- Girar la llave en posición "0" (2, Fig. B); abrir el capó (7, Fig. C) y poner el selector (9, Fig. U) en posición "WET" para batería de plomo o en posición "GEL" para batería de gel.
- Instalar la batería en la máquina según el esquema (10, Fig. U).
- Cargar la batería (véase el procedimiento en el párrafo Mantenimiento).

ANTES DE LA PUESTA EN MARCHA



¡ATENCIÓN!

Asegurarse de que el cajón (17, Fig. C) sea correctamente cerrado antes de poner en marcha la máquina.


PUESTA EN MARCHA Y PARADA DE LA MAQUINA

Cada vez que se pone en marcha la máquina

1. Poner la llave de encendido (2, Fig. B) en el tablero de control; girarla en posición "I" [sin tirar la palanca (4, Fig. C)] y comprobar que la luz de aviso verde (5, Fig. B) se encienda.
2. Si la luz de aviso se ilumina de amarillo o de rojo (3 o 4, Fig. B) poner la llave en posición "0" y sacarla. Cargar la batería (véase el procedimiento en el párrafo Mantenimiento).

Puesta en marcha de la máquina

1. Ajustar el manillar (3, Fig. C) mediante las empuñaduras (5) según sus propias necesidades.
2. Bajar el cepillo lateral (10, Fig. C) bajando (sin girarla) la empuñadura (12) después de haber desenganchado su retén (2).

NOTA:
 **el cepillo lateral (10, Fig. C) puede bajarse y levantarse también cuando está en función.**

3. Girar la llave de encendido (2, Fig. B) en posición "I" sin tirar la palanca de activación (4, Fig. C).
4. Comprobar que la luz de aviso verde (5, Fig. B) (batería cargada) se encienda. Si la luz de aviso se ilumina de amarillo o de rojo (3 o 4, Fig. B) poner la llave en posición "0" y sacarla y luego cargar la batería. (Véase el capítulo relacionado).
5. Tirar con cuidado la palanca de activación (4, Fig. C) hasta poner en marcha la máquina. La velocidad de marcha es proporcional a la presión aplicada a la palanca de activación (4, Fig. C).

Parada de la máquina

Para parar la máquina es suficiente soltar completamente la palanca de activación (4, Fig. B) y tirar el manillar.


Para parar la rotación de los cepillos, girar la llave (2, Fig. B) en posición "0".


Para levantar el cepillo lateral (10, Fig. C) levantar (sin girarla) la empuñadura (12) y alinear la cerradura con la ranura en el bastidor de plástico. Girar la empuñadura (12) para enganchar la cerradura (2).


MAQUINA EN FUNCION


1. Evite que los cepillos sigan funcionando durante demasiado tiempo mientras que la máquina está parada en un punto: la máquina podría dejar signos en el suelo.

2. Para recoger residuos ligeros y voluminosos, levantar la puerta abatible tirando la palanca (27, Fig. C); (tener en cuenta que por todo el tiempo de levantamiento de la puerta abatible delantera, la capacidad de aspiración de la máquina disminuye).
3. Para que la máquina funcione correctamente es necesario que el filtro polvos sea lo más limpio posible. Para limpiar el filtro durante el funcionamiento de la máquina, activar el sacudidor del filtro efectuando las operaciones siguientes según el tipo de sacudidor del filtro instalado:
 - a) **Sacudidor del filtro manual:** poner la llave de encendido en posición "0", tirar la empuñadura (20, Fig. C) hacia el exterior hasta el tope de carrera y luego soltarla. El muelle de retorno interior golpea el bastidor del filtro polvos sacudiéndolo. Repetir esta operación unas veces. Poner la llave de encendido en posición "I" para empezar a trabajar.
 - b) **Sacudidor del filtro eléctrico** (opcional): tener pulsado el pulsador del sacudidor del filtro (8, Fig. B) durante unos segundos.


NOTA:
 **Repetir esta operación en media cada 10 minutos durante el trabajo (cambiar el intervalo sobre la base de la cantidad de polvo presente en el ambiente que se debe limpiar).**

NOTA:
 **Durante esta operación el motor principal y todas las funciones se paran automáticamente.**

NOTA:
 **Cuando el cajón está lleno y/o el filtro polvos está obstruido, la máquina no puede más recoger polvo y residuos.**

¡ADVERTENCIA!
 **Cuando el cajón está lleno y/o el filtro polvos está obstruido, la máquina no puede más recoger polvo y residuos.**

El cajón (17, Fig. C) debe vaciarse después de cada periodo de trabajo y cada vez que está lleno.

NOTA:
 **Cuando el cajón está lleno la máquina no puede más recoger polvo y residuos.**

VACIADO DEL CAJON

1. Parar la máquina soltando la palanca de activación.
2. Girar la llave de encendido (2, Fig. B) en posición "0".
3. Desenganchar el gancho (18, Fig. C) tirando su extremidad inferior.
4. Mediante la manilla (19, Fig. C) quitar el cajón (17, Fig. C) y vaciarlo.
5. Instalar de nuevo el cajón en su posición y enganchar el gancho (18, Fig. C).
6. La máquina está lista para empezar de nuevo a barrer.

DESPUES DE LA UTILIZACION DE LA MAQUINA

Cuando el trabajo está acabado, antes de alejarse de la máquina:

1. Limpiar el filtro mediante el uso de la empuñadura del sacudidor del filtro manual (20, Fig. C) o mediante el pulsador (8, Fig. B) del sacudidor del filtro eléctrico, si está en el equipamiento base.
2. Vaciar el cajón (17, Fig. C) (véase el párrafo antecedente).
3. Levantar el cepillo lateral mediante la empuñadura (12, Fig. C).
4. Sacar la llave de encendido (2, Fig. B) de la máquina.
5. Asegurarse de que la máquina no pueda moverse de manera autónoma.
6. Activar el freno de pedal (26, Fig. C), si instalado.

DESPLAZAMIENTO DE LA MAQUINA MEDIANTE EMPUJE

La máquina puede desplazarse mediante empuje con la llave de encendido (2, Fig. B) posicionada en "0" o en "I".

PERIODO DE LARGA INACTIVIDAD DE LA MAQUINA

Si se piensa que la máquina no va a ser utilizada durante 30 días o más, seguir las indicaciones siguientes:

- Llevar la máquina en una área de almacenamiento interna adecuada.
- Desconectar el conector (3, Fig. U) de la batería .
- Levantar un poco la máquina de manera que las puertas abatibles, el cepillo central y las ruedas no toquen el suelo.
- Desconectar el terminal positivo (+) de la batería, directamente del polo (+) de la batería.

MANTENIMIENTO

Un mantenimiento cuidadoso y continuo garantiza la vida útil y la seguridad de funcionamiento de la máquina.

El esquema siguiente resume el mantenimiento programado. Los períodos indicados pueden variar según las condiciones de trabajos, que el encargado del mantenimiento debe establecer.



ATENCIÓN:

efectuar estas operaciones con la máquina apagada, llave de encendido sacada y (cuando pedido) batería desconectada. Además, leer cuidadosamente todas las instrucciones del capítulo Seguridad.

Todas las operaciones de mantenimiento programado o extraordinarias deben ser realizadas por el personal calificado o por un Centro de Asistencia autorizado.

En este manual se detallan sólo los procedimientos de mantenimiento más sencillos y frecuentes.



NOTA:

para operaciones de mantenimiento suplementarias véase el "Manual de Taller" disponible en los Centros de Asistencia Advance.

ESQUEMA DE MANTENIMIENTO PROGRAMADO

Operación de mantenimiento	Al momento de la entrega	Cada 10 horas	Cada 50 horas	Cada 100 horas	Cada 200 horas	Cada 400 horas
Control nivel líquido batería	●	● (1)				
Control tensión de las correas de transmisión: tracción, cepillo central	●			● (*)		
Control altura y funcionamiento puertas abatibles	●		●			
Control altura de los cepillos lateral y central		●				
Limpieza filtro polvos y control de su integridad		● (1)				
Control funcionamiento sacudidor del filtro eléctrico (opcional)			● (*)			
Control torsión tuercas y tornillos				● (*)		
Ajuste tensor correa de transmisión			● (*)			
Sustitución de las correas de transmisión : tracción, cepillo central					● (*)	
Control o sustitución cepillos del motor eléctrico principal						● (*)
Control funcionamiento interruptor de seguridad apertura capó (pág. 8)			● (*)			

(*): para el procedimiento relacionado, véase el “Manual de Taller”

(1): o antes de cada puesta en marcha.

CONTROL ALTURA CEPILLO CENTRAL



NOTA:

hay cepillos con cerdas más o menos duras. Este procedimiento es aplicable por cada uno de estos tipos.

1. Controlar que la altura del cepillo central sea correcta mediante el procedimiento siguiente:
 - a. Conducir la máquina sobre un suelo llano. Parar la máquina en un punto y dejar que el cepillo central gire durante unos segundos.
 - b. Parar el cepillo central y desplazar la máquina.
 - c. Controlar que el valor de la huella (1, Fig. D) dejada por el cepillo central por toda su longitud sea de 2 a 4 cm (0,8-1,6 in) en los suelos donde la máquina va a ser utilizada.
 - d. Sólo en el caso de que la huella (1) sea diferente, efectuar el ajuste de la altura del cepillo, según las indicaciones del siguiente paso 2.
2. Conducir la máquina sobre un suelo llano y activar el freno de pedal (26, Fig. C), si instalado.
3. Girar la llave de encendido (2, Fig. B) en posición “0”.

4. Aflojar las perillas (1, Fig. E) en ambos los lados de la máquina.
5. Operando sobre las perillas (1, fig. E) desplazar, en ambos los lados de la máquina, el indicador (2) de variación de la altura del cepillo según sea necesario y luego enroscar las perillas (1).



NOTA:

El indicador (2) debe estar en la misma posición en ambos lados de la máquina; la diferencia máxima puede ser de dos muescas, para obtener la huella (1, Fig. D) de 2 a 4 cm (0.8 - 1.6 in) como indicado en el paso 1.

6. Llevar a cabo de nuevo el paso 1 para controlar que la altura del cepillo central sea correctamente ajustada.
7. Si el cepillo está demasiado consumado no se puede ajustar más, sustituir el cepillo como indicado en el capítulo específico.



¡ADVERTENCIA!

Una huella demasiado grande (superior a 4 cm/1.6 in) del cepillo central perjudica el funcionamiento regular de la máquina y puede causar el sobrecalentamiento de los componentes móviles y eléctricos, reduciendo drásticamente sus duración.

Tener mucho cuidado cuando se efectúa el control arriba indicado y activar la máquina sólo en las condiciones indicadas.



¡ADVERTENCIA!

Durante la sustitución de los cepillos central y lateral se aconseja utilizar guantes por que residuos cortantes podrían estar encastrados en las cerdas.

SUSTITUCION DEL CEPILLO CENTRAL



NOTA:

hay cepillos con cerdas más o menos duras. Este procedimiento es aplicable por cada uno de estos tipos.

1. Conducir la máquina sobre un suelo llano y activar el freno de pedal (26, Fig. C), si instalado.
2. Girar la llave de encendido (2, Fig. B) en posición "0".
3. Aflojar las perillas (1, Fig. E) en ambos los lados de la máquina.
4. Desplazar los indicadores (2, Fig. E) de variación de la altura del cepillo, hasta que el cepillo alcance la posición de máxima distancia del suelo. Enroscar las perillas (1).
5. Abrir el capó. (7 Fig. C)
6. En el lado izquierdo de la máquina, aflojar la perilla (3, Fig. E).
7. Quitar la tapa (1, Fig. F) del cepillo empujando hacia abajo para desembragar los retenes (2, Fig. F).
8. Quitar el cepillo (1, Fig. G).
9. Comprobar que el cubo arrastrador (4, Fig. R) no sea sucio y que no haya objetos (cuerdas, trapos, etc.) enrollados accidentalmente.
10. Preparar el nuevo cepillo para la instalación, con las filas de cerdas inclinadas (1, Fig. H) como muestra la figura, vista por encima.
11. Instalar el nuevo cepillo en la máquina y asegurarse de que su engrane (1, Fig. I) se enganche en el cubo arrastrador (4, Fig. R) relacionado.
12. Instalar la tapa (1, Fig. F) del cepillo, enganchando los retenes (2, Fig. F).

13. Enroscar la perilla (3, Fig. E).
14. Llevar a cabo el Ajuste de la altura del cepillo central como indicado en el párrafo antecedente.

AJUSTE ALTURA DEL CEPILLO LATERAL



NOTA:

hay cepillos con cerdas más o menos duras. Este procedimiento es aplicable por cada uno de estos tipos.

1. Controlar que la altura del cepillo lateral sea correcta mediante el procedimiento siguiente:
2. Conducir la máquina sobre un suelo llano y bajar el cepillo lateral.
3. Parar la máquina en un punto y dejar que el cepillo lateral gire durante unos segundos.
4. Parar el cepillo lateral y desplazar la máquina.
5. Controlar que la huella dejada por el cepillo lateral sea como se muestra en la Fig. J. Si la huella es diferente, ajustar la altura del cepillo, efectuando las operaciones indicadas en el siguiente paso.
6. Girar la empuñadura (12, Fig. C) en el sentido de las agujas del reloj o en sentido contrario para ajustar la altura del cepillo del suelo.
7. Llevar a cabo de nuevo los pasos de 1 a 5 para controlar que la altura del cepillo lateral sea correctamente ajustada.
8. Si el cepillo está demasiado consumado no se puede ajustar más, sustituir el cepillo como indicado en el párrafo específico.

SUSTITUCION DEL CEPILLO LATERAL



NOTA:

hay cepillos con cerdas más o menos duras. Este procedimiento es aplicable por cada uno de estos tipos.

1. Girar la llave de encendido (2, Fig. B) en posición "0".
2. Poner la mano al interior del cepillo lateral y presionar hacia el interior las lengüetas (1, Fig. K) luego quitar el cepillo (2, Fig. K) desenganchándolo de los cuatros pernos (3, Fig. K).
3. Instalar el nuevo cepillo en la máquina enganchándolo a los pernos (3, Fig. K) y a las lengüetas (1, Fig. K).
4. Llevar a cabo el Ajuste de la altura del cepillo lateral como indicado en el párrafo antecedente.

LIMPIEZA FILTRO POLVOS Y CONTROL DE SU INTEGRIDAD



NOTA:

además del filtro de papel estándar, hay también filtros de poliéster en opción. Este procedimiento es aplicable por cada uno de estos tipos.

1. Conducir la máquina sobre un suelo llano y activar el freno de pedal (26, Fig. C), si instalado.
2. Girar la llave de encendido (2, Fig. B) en posición "0".
3. Desenganchar el retén (18, Fig. C).
4. Mediante la manilla (19, Fig. C) quitar el cajón (17, Fig. C).
5. Girar la manilla (1, Fig. L) (de unos 90°) y dejar que el bastidor del filtro (2, Fig. L) ruede hacia el exterior.
6. Sacar el filtro polvos (3, Fig. L) desde arriba.
7. Al aire libre, limpiar el filtro sacudiéndolo sobre una superficie llana y limpia, batiendo el lado (1, Fig. M) opuesto a el de la redecilla (2, Fig. M).
8. Completar la limpieza mediante un chorro perpendicular (3, Fig. M) de aire comprimido de máximo 6 bar (87 psi), soplando sólo por el lado protegido por la redecilla (2, Fig. M).
Según el tipo de filtro utilizado, tener en cuenta las siguientes informaciones:
 - **Filtro de papel** (estándar): no utilizar agua o detergentes para limpiarlo porque se podría dañar.
 - **Filtro de poliéster** (opcional): para limpiarlo véanse las indicaciones arriba mencionadas. Eventualmente, para una limpieza más profunda, se podría limpiar el filtro con agua y un detergente no espumógeno. Se recuerda que, este tipo de limpieza, si bien sea mejor cualitativamente, reduce la duración del filtro que, por consecuencia, tendrá que sustituirse más frecuentemente. El uso de detergentes no adecuados puede dañar el filtro.
Controlar que el cuerpo del filtro no sea desgarrado.
9. Si necesario, limpiar la junta de goma (4, Fig. L) del compartimiento del filtro; además controlar que no sea dañada. De lo contrario, sustituirlo.
10. Instalar en el orden contrario a él de la remoción.



NOTA:

Instalar el filtro con la redecilla (2, Fig. M) orientada hacia la parte delantera de la máquina [hacia el ventilador (16, Fig. U)].

CONTROL ALTURA Y FUNCIONAMIENTO PUERTAS ABATIBLES

1. Conducir la máquina sobre un suelo llano y adecuado para controlar que la altura de las puertas abatibles sea correcta. Activar el freno de pedal (26, Fig. C), si instalado, o bloquear las ruedas.
2. Girar la llave de encendido (2, Fig. B) en posición "0".

Control puertas abatibles laterales

3. Controlar que las puertas abatibles laterales (13 y 14, Fig. C) no sean dañadas. Sustituir las puertas abatibles cuando hay cortes (1, Fig. N) más grandes de 20 mm/0.75 in o rupturas (2) más grandes de 10 mm/0.5 in (para la sustitución de las puertas abatibles véase el "Manual de Taller").
4. Comprobar que la altura desde el suelo de las puertas abatibles laterales (13 y 14, Fig. C), sea de 0 a 3 mm/0-1/8 in (véase Fig. O). Si necesario ajustar la altura de las puertas abatibles según las indicaciones siguientes.

Puerta abatible izquierda:

- a. Abrir el capó, aflojar la perilla (3, Fig. E) y quitar la tapa izquierda (1, Fig. F) del cepillo, empujando hacia abajo para desenganchar los retenes (2).
- b. Ajustar la altura de las puertas abatibles (3, Fig. F) utilizando sus agujeros (4, Fig. F).
- c. Instalar en el orden contrario a él de la remoción.

Puerta abatible derecha:

- a. Quitar el cepillo central según las indicaciones del párrafo relacionado.
- b. Quitar la correa (12, Fig. U) de la polea (14, Fig. U); para facilitar la operación, girar la polea (14, Fig. U) operando manualmente sobre el ventilador (16, Fig. U).
- c. Desenroscar los tornillos (25, Fig. C) y quitar la tapa derecha (24) junto a la correa (12, Fig. U).
- d. Ajustar la altura de las puertas abatibles (1, Fig. S) utilizando sus agujeros (2, Fig. S).
- e. Instalar en el orden contrario a él de la remoción.

Control puertas abatibles delantera y trasera

5. Quitar el cepillo central según las indicaciones del párrafo relacionado.
6. Controlar la integridad de las puertas abatibles delantera (1, Fig. R) y trasera (2).
7. Sustituir las puertas abatibles cuando hay cortes (1, Fig. N) más grandes de 10 mm o rupturas (2) más grandes de 10 mm (para la sustitución de las

- puertas abatibles véase el "Manual de Taller").
8. Comprobar que:
 - la puerta abatible delantera (1, Fig. P), arrastre ligeramente contra el suelo y que, de todos modos, no sea desprendida del suelo (como en la figura);
 - la altura del suelo de la puerta abatible trasera (1, Fig. O) sea de cero a 3 mm (como en la figura).
 9. Si necesario ajustar la altura de las puertas abatibles mediante sus agujeros (3, Fig. R).
 10. Activar la palanca para el levantamiento de la puerta abatible delantera (27, Fig. C) y controlar que la puerta abatible delantera (1, Fig. Q) gire hacia arriba de 90° (como en la figura); soltar la palanca y controlar que la puerta abatible vuelva en su posición inicial y no se quede en posición intermedia. Si necesario, véase el Manual de taller para el "Ajuste o sustitución del cable de mando de la puerta abatible delantera".
 11. Instalar en el orden contrario a él de la remoción.

CARGA DE BATERIA



¡ATENCIÓN!

Cargando las baterías se produce gas hidrógeno muy explosivo. Cargar las baterías sólo en áreas bien ventiladas y lejos de llamas libres.

No fumar cuando se cargan las baterías.

El capó debe quedarse abierto mientras que se carga la batería.



¡ATENCIÓN!

Tener cuidado mientras que se carga la batería por que el líquido de batería podría sobresalir. Este líquido es corrosivo. Si entra en contacto con la piel o los ojos lavar a conciencia con agua y consultar un medico.

1. Conducir la máquina sobre un suelo llano y activar el freno de pedal (26, Fig. C), si instalado.
2. Girar la llave de encendido (2, Fig. B) en posición "0".
3. Abrir el capó (7, Fig. C).
4. (Sólo para baterías de plomo) Controlar el nivel de electrolito en la batería; si necesario rellenar mediante los tapones (8, Fig. U).
5. Dejar todos los tapones (8) abiertos para la recarga.
6. Limpiar (si necesario) la superficie superior de la batería.

7. Conectar el cable eléctrico (5, Fig. U) del cargador de batería a la red eléctrica (la tensión y la frecuencia de la red deben ser compatibles con el cargador de batería: véase el Manual del cargador.
8. Cuando la luz de aviso verde (11, Fig. U) se enciende, la batería está cargada.



NOTA:

Para informaciones suplementarias sobre el cargador de batería (4, Fig. U) consultar el Manual relacionado.

9. Desconectar el cable eléctrico (5, Fig. U) del cargador de batería de la red eléctrica y recolocararlo en su alojamiento en la máquina.
10. Cerrar el capó (1, Fig. U); la máquina está lista para ser utilizada.



NOTA:

cuando el cargador de batería está conectado a la red eléctrica, todas las funciones de la máquina se paran automáticamente.

FUNCIONES DE SEGURIDAD Y BUSQUEDA AVERIAS

INTERRUPTOR DE SEGURIDAD APERTURA CAPO

Se activa cuando se abre el capó de la máquina: para todas las funciones.

Si la máquina se pone en marcha también con el capó abierto acuda de inmediato a un Centro de Asistencia autorizado o a su revendedor.

BUSQUEDA AVERIAS

AVERIA	SOLUCION
La máquina no se pone en marcha cuando la llave está en posición "I".	Controlar que el conector sea correctamente conectado (3, Fig. U).
	Controlar que el capó sea correctamente cerrado.
	Controlar el fusible de reactivación (6, Fig. U).
	Comprobar el estado del fusible del circuito de control
	Controlar que el cargador de batería opcional sea correctamente conectado a la batería y/o el cargador de batería no sea enchufado para recargar la batería.
El cepillo lateral no funciona.	Controlar que el fusible (7, Fig. U) no sea dañado.
La máquina funciona sólo cuando está parada en un punto, si se intenta moverla se apaga y la luz de aviso roja parpadea.	Recargar la batería. Si el problema sigue existiendo, sustituir la batería.
El fusible de reactivación (6, Fig. U) salta frecuentemente	Comprobar que la huella del cepillo central no sea superior a 4 cm/1,57 in.
	Comprobar que la máquina no se haga funcionar sobre inclinaciones superiores al 2%.
	Comprobar que los residuos no impidan la rotación del cepillo central.
La autonomía de la batería es escasa.	Instalar una batería de mayor capacidad. (mín. 140 Ah)



NOTA:

si en la máquina hay un cargador de batería instalado, la máquina no puede funcionar si el cargador no está a bordo. Si el cargador de batería no funciona correctamente, contactar con un Centros de Asistencia Advance.

Para informaciones suplementarias consulte el Manual de Taller cerca de los Centros de Asistencia Advance.

DESCARTE

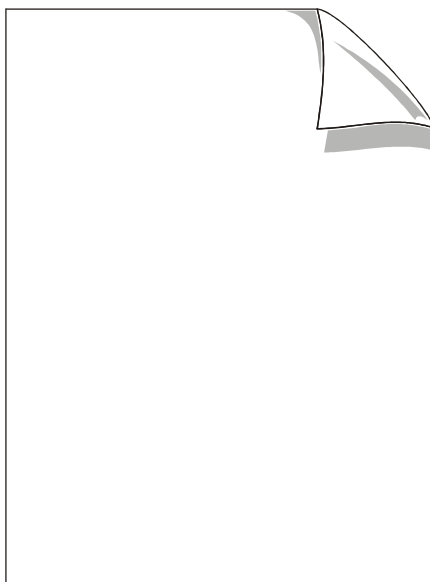
Descartar la máquina cerca de un derribador calificado. Antes de descartar la máquina es necesario quitar los siguientes componentes:

1. Batería
2. Filtro polvos de poliéster
3. Cepillos central y lateral
4. Tarjeta de circuito



¡ADVERTENCIA!

Recoger y eliminar los componentes quitados de la máquina según las actuales normas de higiene ambiental.



INTRODUÇÃO	42
ESCOPO E CONTEÚDO DO MANUAL	42
DADOS DE IDENTIFICAÇÃO	42
OUTROS MANUAIS DE REFERÊNCIA	42
PEÇAS DE REPOSIÇÃO E MANUTENÇÃO	42
MODIFICAÇÕES E MELHORIAS	42
SEGURANÇA	42
SÍMBOLOS UTILIZADOS	42
INSTRUÇÕES GERAIS	43
DESEMBALAGEM	44
DESCRIÇÃO DA MÁQUINA	44
CAPACIDADES OPERACIONAIS MÁQUINA DE VARRER TERRA 132B	44
CARACTERÍSTICAS TÉCNICAS	45
PROTECÇÕES ELÉCTRICAS	45
ACESSÓRIOS / OPCIONAIS	45
USO	45
CONTROLO / PREPARAÇÃO BATERIA EM UMA MÁQUINA NOVA	45
INSTALAÇÃO BATERIA E AJUSTE DO TIPO DE BATERIA (WET OU GEL)	46
ANTES DA PARTIDA	46
PARTIDA E PARADA DA MÁQUINA	47
MÁQUINA EM OPERAÇÃO	47
ESVAZIAMENTO DA GAVETA PORTA LIXO	47
APÓS O USO DA MÁQUINA	48
MOVIMENTO DA MÁQUINA POR IMPULSO	48
LONGA INACTIVIDADE DA MÁQUINA	48
MANUTENÇÃO	48
DIAGRAMA DE MANUTENÇÃO PROGRAMADA	49
VERIFICAÇÃO ALTURA DA ESCOVA CENTRAL	49
SUBSTITUIÇÃO DA ESCOVA CENTRAL	50
AJUSTE ALTURA DA ESCOVA LATERAL	50
SUBSTITUIÇÃO DA ESCOVA LATERAL	50
LIMPEZA FILTRO POEIRAS E VERIFICAÇÃO INTEGRIDADE	51
VERIFICAÇÃO ALTURA E FUNCIONAMENTO DOS FLAP	51
CARREGAMENTO DA BATERIA	52
FUNÇÕES DE SEGURANÇA E PROCURA DEFEITOS	52
INTERRUPTOR DE SEGURANÇA ABERTURA CAPOTA	52
PROCURA DE DEFEITOS	53
SUCATEAMENTO	53

INTRODUÇÃO

ESCOPO E CONTEÚDO DO MANUAL

Esse manual tem o escopo de fornecer ao Cliente todas as informações necessárias de modo a usar a máquina do modo mais adequado e seguro. Este manual foi preparado para Operadores e Técnicos Qualificados na execução da manutenção da máquina.

Antes de efetuar qualquer operação na Máquina, os Operadores e os Técnicos Qualificados devem ler cuidadosamente as instruções contidas na presente publicação. Em caso de dúvidas sobre a correta interpretação das instruções e para qualquer esclarecimento adicional, interpelar o Fabricante para obter os esclarecimentos necessários.

DADOS DE IDENTIFICAÇÃO

O Número de Série e o Modelo da sua Máquina estão indicados na placa aplicada sob a capota da máquina. (20, Fig. U).

O ano de fabricação da sua máquina está na placa de identificação indicado após o Código de Data (A04 significa Janeiro 2004).

Essas informações são necessárias quando se encomendam peças de reposição para a máquina e o motor. Usar o espaço abaixo para anotar os dados de identificação da sua máquina, para uma referência futura.

Modelo MÁQUINA:.....
Número de série MÁQUINA:.....

OUTROS MANUAIS DE REFERÊNCIA

- Manual Operacional do Carregador de Baterias eletrônico, em dotação, deve ser considerado parte integrante deste manual.

Além disso, encontram-se disponíveis os seguintes manuais:

- Manual de oficina (Service Manual) que pode ser consultado junto aos centros de Assistência Advance
- Catálogo peças de reposição (Part List), **em dotação com a máquina**

PEÇAS DE REPOSIÇÃO E MANUTENÇÃO

Para qualquer necessidade inerente ao uso, as manutenções extraordinárias e as reparações, quando necessárias, deve-se consultar pessoal qualificado ou diretamente os centros de assistência Advance e devem ser utilizadas peças de reposição e acessórios ori-

ginais.

Para assistência e para encomendar peças de reposição ou acessórios, procurar pela organização Advance, especificando sempre o Modelo e o Número de série.

MODIFICAÇÕES E MELHORIAS

A nossa empresa procura por um constante aperfeiçoamento dos próprios produtos e se reserva o direito de efectuar modificações e melhorias, quando necessário, sem a obrigação de modificar as máquinas já vendidas em precedência.

Fica esclarecido que qualquer modificação e/ou acréscimo de acessórios deve ser explicitamente aprovada e realizada pelo Fabricante.

SEGURANÇA

Utiliza-se a simbologia abaixo para sinalizar potenciais condições de perigo. Ler sempre essas informações com atenção e tomar as devidas precauções para proteger as pessoas e as coisas.

A colaboração do Operador da máquina, para evitar infortúnios é essencial. Nenhum programa de prevenção de acidentes pode ser eficaz sem a total colaboração da pessoa diretamente responsável pelo funcionamento da máquina. A maior parte dos acidentes que podem se verificar em uma empresa, no trabalho ou nas transferências são causados pela inobservância das mais elementares normas de prudência. Um usuário atento e prudente é a melhor garantia contra os acidentes e se revela indispensável para completar qualquer programa de prevenção.

SÍMBOLOS UTILIZADOS



PERIGO!

Indica um perigo com risco, até mortal, para o Usuário.



ATENÇÃO!

É usado para advertir sobre a exposição a um risco de acidente a pessoas.



ADVERTÊNCIA!

Indica uma advertência ou uma nota sobre funções chave ou sobre funções úteis. Prestar a máxima atenção aos blocos de texto indicados com esse símbolo.



CONSULTA

É necessário consultar o Livro Instruções antes de efectuar qualquer operação.

INSTRUÇÕES GERAIS

Encontram-se descritas a seguir advertências e atenções específicas para avisar dos potenciais perigos de danos à máquina e às pessoas.



PERIGO!

- **Antes de executar qualquer operação de manutenção/repairo, posicionar a chave de partida da máquina na posição de desligado e desligar a bateria.**
- Essa máquina deve ser usada somente por pessoal especialmente treinado e autorizado. É proibida a utilização da máquina por parte de crianças e deficientes físicos.
- Manter faísca, chamas e materiais fumegantes, longe das baterias. Gases explosivos saem durante o uso normal.
- Tirar todas as jóias quando se trabalha em proximidade a componentes elétricos.
- Não trabalhar sob a máquina erguida, sem adequadas sustentações fixas de segurança.
- Não operar com esta máquina em ambientes onde estejam presentes poeiras, líquidos ou vapores nocivos, perigosos, inflamáveis e/ou explosivos.
- **O carregamento das baterias produz gás hidrogênio, altamente explosivo. Manter a capota na posição aberta durante todo o ciclo de recarga das baterias e desenvolver a operação somente em áreas bem ventiladas e longe de chamas livres.**
- **Caso, a bordo, estejam instaladas baterias de chumbo (wet), não inclinar, em hipótese alguma, a máquina de mais de 30° com relação com a horizontal já que isso poderia provocar a saída do líquido altamente corrosivo das mesmas. Caso seja necessário inclinar a máquina para manutenção, tirar as baterias de chumbo.**



ATENÇÃO!

- Não utilizar em superfícies cujo gradiente superior a 2%.
- Não lavar a máquina com jatos de água diretos ou sob pressão ou com substâncias corrosivas. Devido à tipologia da máquina não usar ar comprimido em sua limpeza geral.
- Não usar a máquina em ambientes particularmente poeirentos.
- Durante o uso desta máquina prestar atenção em salvaguardar a incolumidade das demais pessoas.
- A temperatura de armazenamento deve estar compreendida entre 0°C +40°C.
- A temperatura de uso da máquina deve estar compreendida entre 0°C e +40°C.
- A umidade deve estar compreendida entre 30% e 95%.
- Não usar a máquina como meio de transporte.
- Evitar que as escovas trabalhem com a máquina parada para não provocar danos ao piso.
- Em caso de incêndio usar, possivelmente, um extintor de pó e não de água.
- Não encostar em suportes ou andaimes, principalmente se existe o perigo de queda de objetos.
- Adequar a velocidade de utilização às condições de aderência.
- Não violar, em hipótese alguma, as proteções previstas para a máquina, ater-se escrupulosamente às instruções previstas para a manutenção ordinária.
- Não remover ou alterar as placas colocadas na Máquina pelo Fabricante.
- Na hipótese de se verificarem anomalias no funcionamento da máquina, certificar-se que não dependam da falta de manutenção ordinária. Caso contrário solicitar a intervenção do pessoal autorizado ou do Centro Assistência autorizado.
- Em caso de substituição de peças solicitar as reposições ORIGINAIS a um Concessionário ou Revendedor autorizado.
- Para os fins da Segurança, e também do bom funcionamento, fazer com que pessoal autorizado ou um Centro de Assistência Autorizado, execute a Manutenção Programada prevista no capítulo específico deste manual.
- A máquina não deve ser abandonada, no fim de seu ciclo de vida, devido à presença, em seu interior, de materiais tóxicos nocivos (baterias, óleos, etc.), sujeitos a normas que prevêm o despejo junto a centros especiais (ver, em propósito, o capítulo Sucateamento).
- Em condições de emprego em conformidade com as indicações de utilização corretas, as vibrações não são tais a criar situações de perigo. O nível de vibrações da máquina é inferior a 2,5 m/s².

DESEMBALAGEM

No momento da entrega da máquina, controlar com atenção que a embalagem de papelão e a máquina não tenham sofrido danos durante o transporte. Se o dano for evidente, conservar a embalagem de modo que possa ser verificada pelo Transportador que a entregou. Contactá-lo imediatamente para preencher uma solicitação de ressarcimento dos danos.

Controlar que os seguintes componentes acompanhem a sua máquina:

1. Documentação Técnica: Manuais de uso e Manutenção da máquina de varrer e do carregador de baterias eletrónico e Catálogo peças de reposição
2. Fusível escova lateral (1)
3. Cabos de reposição da bateria e terminais de proteção
4. Fusível eletrónico (1)

DESCRIÇÃO DA MÁQUINA

CAPACIDADES OPERACIONAIS

MÁQUINA DE VARRER TERRA 132B

A máquina de varrer TERRA 132B foi concebida e construída para a limpeza (varredura), de pisos lisos e sólidos, em ambiente civil e industrial, e para a coleta de poeiras não tóxicas e detritos leves, em condições de verificada segurança, por parte de um **Operador qualificado**.



NOTA:

todas as referências a para frente, para trás, dianteiro, direito, esquerdo ou traseiro indicadas neste manual, devem ser entendidas como referidas ao operador com as mãos no guiador (3, Fig. C).

Painel de controlo e comandos

(Vere Fig. B)

1. Painel de controlo
2. Chave de partida
3. Sinalizador luminoso de bateria descarregada
4. Sinalizador luminoso de bateria quase descarregada
5. Sinalizador luminoso de bateria carregada
6. Visualizador dados (Display)
7. Botão de selecção no Display: contador de horas / contador de horas e minutos / tensão bateria (V),
8. Botão dispositivo sacudimento filtro (opcional)
9. Parafusos de fixação painel

Vista externa geral

(Ver Fig. C)

1. Placa matrícula / dados técnicos
2. Retenção escova lateral
3. Guiador

4. Alavanca de marcha
5. Manoplas para a regulação inclinação guiador
6. Porta objectos
7. Capota
8. Rodas traseiras em eixo fixo
9. Roda louca dianteira
10. Escova lateral
11. Escova central
12. Manopla para elevação e regulação altura escova lateral
13. Flap lateral esquerdo
14. Flap lateral direito
15. Flap dianteiro
16. Flap traseiro
17. Gaveta porta lixo
18. Gancho da gaveta porta lixo
19. Maçaneta da gaveta porta lixo
20. Empunhadura do dispositivo sacudimento filtro manual
21. Portinhola removível da Escova central
22. Regulador esquerdo da altura escova central
23. Regulador direito da altura escova central
24. Portinhola direita da escova central
25. Parafusos de fixação portinhola direita escova central
26. Travão de pedal na roda dianteira (opcional)
27. Alavanca ergue-flap dianteiro

Sob a capota

(Ver Fig. U)

1. Capota (na posição de aberto)
2. Baterias
3. Conectores baterias
4. Carregador de bateria electrónico
5. Cabo eléctrico de ligação do carregador de bateria à rede
6. Fusível de armar
7. Fusível motor escova lateral
8. Tampas bateria (de chumbo)
9. Selector bateria de chumbo (WET) o gel (GEL) posicionado no carregador de bateria electrónico opcional
10. Diagramas de montagem bateria
11. Sinalizador luminoso de bateria carregada
12. Correia da escova central
13. Correia de tracção
14. Polia de transmissão para escova central
15. Polia de transmissão para rodas traseiras
16. Ventoinha
17. Motor eléctrico principal
18. Sinal fusível
19. Interruptor de segurança abertura capota
20. Placa matrícula / dados técnicos
21. Corrente de aterramento

CARACTERÍSTICAS TÉCNICAS

Dimensões	Valores
Largura de limpeza (sem escova lateral)	600 mm(23.62 in)
Largura de limpeza (com escova lateral)	820 mm(32.3 in)
Comprimento máquina	1.070 mm(42.18 in)
Largura máquina, sem escova lateral	773 mm(30.43 in)
Altura com guidom abaixado	836 mm(32.91 in)
Altura mínima do chão	40 mm(1.6 in)
Altura guidom, mínima / máxima	824 /1120 mm (32.4/44 in)
Dimensões Escova central	ø 245 x 600 mm (9.65x23.62 in)
Dimensões Escova lateral	ø 347 mm (13.7 in)
Velocidade com força de impulso máxima	4,4 Km/h(2.7 mph)
Pendência máx. que pode ser vencida	2 %
Capacidade do recipiente de lixo	50 l (1.7 ft ³)
Peso total máquina sem bateria	100.9 Kg (222.4 lb)
Roda dianteira, direcionável	ø 125/37.5-50 mm (4.92/1.48-1.97 in)
Rodas traseiras, de tração	ø 250 x 50 mm (ø9.84x1.97 in)
Motor elétrico	600W(0.8 hp)
Nível de pressão acústica ponderada (L _{pA})	64 dB(A)

Baterias

- De chumbo, com eletrólito ácido (WET)
 - Ao gel, hermética (GEL)
- O ajuste de fábrica da máquina é para baterias de chumbo (WET).
- | | |
|---------------------------------|---------------------------------|
| Tensão bateria | 12 V |
| Capacidade baterias utilizáveis | Max. 240 Ah |
| Dimensões máx. vão baterias | 398x262x283 (15.7x10.3x11.1 in) |

Aspiração e filtragem poeiras

Filtro poeiras, em papel de 5-10 µm	2 m ² (22 ft ²)
Disp. elétrico sacudimento filtro (opcional)	12V, 30W
Depressão do vão escova central	4 mm H ₂ O (0.63 in H ₂ O)

Diagramas

Diagramas elétricos, para as várias montagens opcionais. Ver (fig. V).

PROTECÇÕES ELÉCTRICAS

Fusível de armar:	6, Fig. U
Fusível escova lateral:	7, Fig. U
Sinal fusível	18, Fig. U

ACESSÓRIOS / OPCIONAIS

Além dos componentes presentes na versão padrão, a máquina pode ser equipada com os seguintes acessórios/opcionais, com base na utilização específica da mesma:

1. Bateria(s) ao gel
2. Escovas central e laterais com cerdas mais agressivas ou mais macias com relação àquelas padrão
3. Filtro poeiras e poliéster anti-estático e em poliéster BIA C
4. Dispositivo elétrico de sacudimento filtro
5. Roda dianteira com freio a pedal
6. Diferentes tipos de borrachas flap

Para maiores informações relativas aos acessórios opcionais acima listados, consultar o seu revendedor de confiança.

USO



ATENÇÃO!

Em alguns pontos da máquina estão aplicados adesivos que indicam:

- PERIGO
- ATENÇÃO
- ADVERTÊNCIA
- CONSULTA

Por ocasião da leitura deste manual, o operador deve compreender perfeitamente o significado de tais símbolos.

Não cobrir os adesivos, em hipótese alguma, e substituí-los imediatamente caso se danifiquem.

CONTROLO / PREPARAÇÃO BATERIA EM UMA MÁQUINA NOVA



NOTA:

Conectar o carregador de bateria às baterias para fazer a máquina funcionar.

A máquina requer uma bateria de 12 V, ou duas baterias de 6 V ligadas conforme o diagrama da Fig. U, 10. A máquina pode ser fornecida em um dos seguintes modos:

- a. Com bateria (de chumbo ou ao gel) montada na máquina e pronta para o uso.

- b. Com bateria (de chumbo) montada na máquina, mas sem electrólito líquido.
- c. Sem bateria

Com base ao tipo de fornecimento recebido, operar como descrito a seguir.

a. Bateria (de chumbo ou ao gel) fornecida já montada na máquina e pronta para o uso.

1. Erguer a capota (7, Fig. C) da máquina e verificar que a bateria esteja conectada à máquina por meio do respectivo conector (3, Fig. U).
2. Abaixar a capota certificando-se de seu perfeito fechamento (a máquina deve se apresentar como na Fig. C).
3. Inserir a chave de partida (2, Fig. B) no painel de comando; girá-la para a posição "I" (sem puxar a alavanca 4, Fig. C).

Se o sinalizador luminoso verde (5, Fig. B) se acende, a bateria está pronta para o uso.

Caso contrário é necessário executar o carregamento da bateria (ver procedimento no capítulo Manutenção).

b. Bateria (de chumbo) fornecida já montada na máquina mas a seco (ou seja, sem electrólito líquido).

1. Erguer a capota (7, Fig. C) da máquina.
2. Remover as tampas (8, Fig. U) da bateria.



ATENÇÃO!

Prestar uma especial atenção durante o emprego de ácido sulfúrico já que este é corrosivo; em caso de contato com a pele ou os olhos, lavar com grande quantidade de água e consultar um médico.

As baterias devem ser enchidas em uma área bem ventilada.

Utilizar luvas de protecção.

3. Encher as células (ou elementos individuais) da bateria com ácido sulfúrico para baterias (densidade de 1,27 a 1,29 Kg a 25°C), de acordo com as instruções especificadas no manual de uso da bateria.

A correcta quantidade de solução ácida a ser colocada está indicada no manual de uso da bateria.

4. Deixar a bateria descansar e completar as células com solução de ácido sulfúrico, de acordo com as instruções especificadas no manual de uso da bateria.
5. Executar o carregamento da bateria (ver procedimento no Parágrafo Manutenção)

c. Bateria não fornecida

1. Adquirir uma bateria adequada (Ver parágrafo Características Técnicas e o diagrama 10, Fig. T). Procurar revendedores de baterias qualificados para a escolha e a instalação.
2. Proceder ao ajuste da máquina e do carregador de bateria (se montado) em função do tipo de bateria escolhida.

3. Proceder à instalação da bateria (ver procedimento no Parágrafo Manutenção).

INSTALAÇÃO BATERIA E AJUSTE DO TIPO DE BATERIA (WET OU GEL)



NOTA:

Conectar o carregador de bateria às baterias para fazer a máquina funcionar.

Com base no tipo de bateria escolhida (de chumbo ou ao gel) deve ser efetuado o relativo ajuste da placa eletrônica da máquina e do carregador de bateria, operando conforme indicado a seguir:

Ajuste da máquina

1. Girar a chave (2, Fig. B) para a posição "0"
2. Erguer a capota (7, Fig. C)
3. O ajuste de fábrica da máquina é para baterias de chumbo (WET). Se tal ajuste corresponde ao tipo de bateria adquirido, passar ao parágrafo seguinte, caso contrário executar as seguintes operações:
 4. Desligar o conector (3, Fig. U)
 5. Soltar os parafusos (9, Fig. B) e extrair o painel de controle (1, Fig. B) com cautela
 6. Posicionar o jumper (1, Fig. T) nos conectores (3, Fig. T) "GEL" para bateria ao gel.
 7. Posicionar o jumper (1, Fig. T) nos conectores (2) "WET" para baterias de chumbo ou nos conectores (3) "GEL" para bateria ao gel.
 8. Remontar o painel de controlo e apertar os parafusos (9, Fig. B)
 9. Fechar a capota (7, Fig. C)

Ajuste do carregador de bateria

1. Girar a chave (2, Fig. B) em "0"; erguer a capota (7, Fig. C) e levar o selector (9, Fig. U) em "WET" para bateria de chumbo ou em "GEL" para bateria ao gel.
2. Montar a bateria na máquina conforme o diagrama (10, Fig. U).
3. Executar o carregamento da bateria (ver procedimento no parágrafo manutenção)

ANTES DA PARTIDA



ATENÇÃO!

Certificar-se que a gaveta do lixo (17, Fig. C) esteja correctamente fechada antes de partir a máquina.

PARTIDA E PARADA DA MÁQUINA

A cada partida

1. Inserir a chave de partida (2, Fig. B) no painel de controlo; girá-la para a posição "I" [sem puxar a alavanca (4, Fig. C)], verificar, então, o acendimento do sinalizador luminoso verde (5, Fig. B).
2. Caso se ilumine o sinalizador luminoso amarelo ou vermelho (3 ou 4, Fig. B) levar a chave de volta à posição "0" e extrai-la. Providenciar, então, a recarga da bateria (ver procedimento no capítulo manutenção).

Partida da máquina

1. Regular o guidom (3, Fig. C) por meio das manoplas (5), segundo a própria comodidade.
2. Abaixar a escova lateral (10, Fig. C) abaixando (sem girar) a manopla (12) após ter desenganchado sua trava (2).



NOTA:

a escova lateral (10, Fig. C) pode ser abaixada e erguida mesmo em funcionamento.

3. Girar a chave de partida (2, Fig. B) para a posição "I" sem puxar a alavanca (4, Fig. C) de marcha.
4. Verificar o acendimento do sinalizador luminoso verde (5, Fig. B) (bateria carregada). Caso se acenda o sinalizador luminoso amarelo e vermelho (3 ou 4, Fig. B), levar a chave de volta à posição "0", proceder, então, à recarga da bateria. (ver capítulo relativo).
5. Puxar, com cautela, a alavanca de marcha (4, Fig. C) até quando a máquina se põe em movimento. A velocidade de avanço é proporcional à pressão exercitada na alavanca de marcha (4, Fig. C).

Parada da máquina

Para parar a máquina soltar completamente a alavanca de marcha (4, Fig. C) e puxar o guidom para trás.

Para parar a rotação das escovas, girar a chave (2, Fig. B) para a posição "0".

Para erguer a escova lateral (10, Fig. C) erguer (sem girar) a manopla (12, Fig. C) e alinhar a trava com o rasgo no chassis plástico. Girar a manopla (12) para frente para, então, enganchar sua trava (2).

MÁQUINA EM OPERAÇÃO

1. Evitar de parar com a máquina por muito tempo na mesma posição, com as escovas girando: podem-se criar marcas indesejáveis no piso.
2. Para a coleta de detritos leves e volumosos, erguer o flap dianteiro puxando a alavanca (27, Fig. C); levar em conta que durante o tempo em que o

flap dianteiro permanece erguido, a capacidade aspirante da máquina diminui.

3. Para um bom trabalho de varredura é necessário que o filtro poeiras esteja o mais limpo possível. Para sua limpeza durante a varredura, accionar o dispositivo sacudimento filtro, operando como indicado a seguir com base no tipo de dispositivo sacudimento filtro instalado:

a) Dispositivo manual sacudimento filtro: levar a chave de partida para a posição "0", puxar a empunhadura (20, Fig. C) para fora até o fim de curso e, em seguida, soltá-la. A mola interna determinará um golpe no chassis do filtro poeiras, sacudindo-o. Repetir a operação algumas vezes acima descrita.

Levar novamente a chave de partida para a posição "I" para recomeçar a trabalhar.

b) Dispositivo eléctrico sacudimento filtro (opcional): manter o botão do dispositivo sacudimento filtro (8, Fig. B) pressionado por alguns segundos.



NOTA:

Repetir a operação em média a cada 10 minutos durante o trabalho (variar o intervalo em função da pulverulência do ambiente a ser limpo).



NOTA:

durante esta operação o motor principal, e conseqüentemente todas as funções, é parado.



NOTA:

Quando a gaveta rejeitos estiver cheia e/ou o filtro poeiras estiver entupido, a máquina não consegue recolher pó e detritos.



ADVERTÊNCIA

Não operar em terreno molhado para não danificar o filtro poeiras.

Terminado o serviço ou toda vez que a gaveta porta lixo (17, Fig. C) **estiver** cheia, dever-se-á providenciar seu esvaziamento.

ESVAZIAMENTO DA GAVETA PORTA LIXO

1. Parar a máquina, soltando a alavanca de marcha.
2. Girar a chave de partida (2, Fig. B) em "0".
3. Soltar o gancho (18, Fig. C) puxando sua extremidade inferior.
4. Extrair a gaveta porta lixo (17, Fig. C) por meio da

- maçaneta (19, Fig. C) e esvaziar a mesma.
5. Recolocar a gaveta porta lixo em sua sede e prender o gancho (18, Fig. C).
 6. A máquina está pronta para retomar o trabalho de varredura.

APÓS O USO DA MÁQUINA

No fim do serviço, antes de abandonar a máquina:

1. Limpar o filtro mediante a utilização da empunhadura do dispositivo manual sacudimento filtro (20, Fig. C) ou, com o respectivo botão (8, Fig. B), do dispositivo eléctrico sacudimento filtro, se em dotação.
2. Esvaziar a gaveta porta lixo (17, Fig. C) (ver instruções no Parágrafo anterior).
3. Erguer a escova lateral por meio da manopla (12, Fig. C).
4. Remover a chave de partida (2, Fig. B) da máquina.
5. Certificar-se que a máquina não possa se mover autonomamente.
6. Accionar o travão a pedal opcional (26, Fig. C).

MOVIMENTO DA MÁQUINA POR IMPULSO

A máquina pode ser movimentada por impulso tanto com a chave de partida (2, Fig. B) posicionada em “0” quanto em “I”.

LONGA INACTIVIDADE DA MÁQUINA

Caso se preveja de não utilizar a máquina por mais de 30 dias, é oportuno executar as seguintes operações:

- Guardar a máquina em uma adequada área de armazenagem coberta.
- Desligar o conector (3, Fig. U) da bateria.
- Erguer ligeiramente a máquina de modo que os flap, a escova central e as rodas não toquem no chão.
- Desligar o borne positivo (+) da bateria directamente do pólo (+) da bateria.

MANUTENÇÃO

A operação adequada e segura da máquina é garantida por meio de uma manutenção cuidadosa e regular. Encontra-se indicado a seguir o diagrama resumo de manutenção programada. As periodicidades indicadas podem sofrer variações em função de especiais condições de trabalho, a ser definidas por parte do responsável da manutenção.



ATENÇÃO:

operações a ser efectuadas com a máquina desligada, chave de partida retirada e (quando solicitado) com a bateria desligada.

Além disso, ler cuidadosamente todas as instruções do capítulo Segurança.

Todas as operações de manutenção programada ou extraordinária devem ser efectuadas por pessoal qualificado, ou junto a um centro de assistência autorizado. Neste manual estão indicados, a seguir, somente os procedimentos das manutenções mais simples e mais frequentes.



NOTA:

para os procedimentos das demais operações de manutenção previstas pelo Diagrama de Manutenção Programada, ver a publicação específica “Service Manual”, de posse de vários centros de Assistência Advance.

DIAGRAMA DE MANUTENÇÃO PROGRAMADA

Título da manutenção	No momento da entrega	A cada 10 horas	A cada 50 horas	A cada 100 horas	A cada 200 horas	A cada 400 horas
Verificação nível líquido bateria	●	● (1)				
Verificação visual das correias de transmissão: tracção, escova central	●			● (*)		
Verificação altura e funcionamento dos flap	●		●			
Verificação altura das escovas lateral e central		●				
Limpeza filtro poeiras e verificação integridade		● (1)				
Verificação funcionamento dispositivo eléctrico sacudimento filtro (opcional)			● (*)			
Controlo aperto porcas e parafusos				● (*)		
Ajuste tensor correia tracção			● (*)			
Substituição das correias de transmissão: tracção, escova central					● (*)	
Controlo ou substituição escovas (ou carvões) do motor eléctrico principal						● (*)
Verificação funcionamento interruptor de segurança abertura capota			● (*)			

(*): para o relativo procedimento, ver a publicação “Service Manual”

(1): ou antes de cada partida.

VERIFICAÇÃO ALTURA DA ESCOVA CENTRAL



NOTA:

são fornecidas escovas de várias durezas. O presente procedimento é aplicável a todos os tipos de escova.

- Controlar a correta altura do chão (não carpete) da escova central, operando como segue:
 - Posicionar a máquina sobre um piso plano. Mantendo a máquina parada fazer girar por alguns segundos a escova lateral.
 - Parar a escova central e deslocar a máquina.
 - Verificar que a quota da marca (1, Fig. D) deixada pela escova central tenha uma largura de 2 a 4 cm/0.8-1.6 in em todo o seu comprimento, no tipo de superfície no qual a máquina será usada.
 - Somente no caso em que a marca (A) resulte diferente, proceder à regulagem da altura da escova, operando como descrito no ponto 2 a seguir.
- Posicionar a máquina sobre um terreno plano e, se presente, acionar o freio a pedal (26, Fig. C) ou bloquear as rodas.
- Levar a chave de partida (2, Fig. B) para a posição “0”.

- Soltar as manoplas (1, fig. E) em ambos os lados da máquina.
- Agindo nas manoplas (1, fig. E) deslocar o índice (2) de variação da escova em ambos os lados da máquina, de quanto necessário, então, aparafusar as manoplas (1).



NOTA:

o índice (2) deve ser levado para a mesma posição em ambos os lados da máquina; admite-se uma diferença máxima de posição de duas marcas, de modo a alcançar a impressão (1, Fig. D) com largura de 2 a 4 cm definida no ponto 1.

- Executar novamente o ponto 1 para verificar a correta regulagem da altura do chão da escova central.
- Quando, o excessivo consumo da escova não permitir mais sua regulagem, substituir a escova como previsto no capítulo a seguir.



ADVERTÊNCIA

Uma marca excessiva no chão (maior que 4 cm/1.6 in) feita pela escova central compromete o regular funcionamento da máquina e pode levar ao super-aquecimento das partes em movimento e elétricas, reduzindo drasticamente a durabilidade das mesmas.

Prestar especial atenção ao executar a operação de verificação acima indicada e nunca fazer a máquina funcionar fora das condições indicadas.



ADVERTÊNCIA

Aconselha-se o uso de luvas durante a substituição tanto da escova central quanto da lateral devido à possível presença de detritos cortantes inseridos entre as cerdas.

SUBSTITUIÇÃO DA ESCOVA CENTRAL



NOTA:

São fornecidas escovas de várias durezas. O presente procedimento é aplicável a todos os tipos de escova.

1. Posicionar a máquina em um terreno plano e, se presente, accionar o travão a pedal (26, Fig. C).
2. Levantar a chave de partida (2, Fig. B) para a posição "0".
3. Soltar as manoplas (1, fig. E) em ambos os lados da máquina.
4. Deslocar os índices (2, Fig. E) de variação altura escova, até levar a escova para a máxima distância do chão. Aparafusar novamente as manoplas (1).
5. Abrir a capota. (7, Fig. C).
6. No lado esquerdo da máquina, soltar a manopla (3, Fig. E).
7. Remover a tampa (1, Fig. F) da escova, pressionando-a para baixo para soltar as travas (2).
8. Extrair a escova (1, Fig. G).
9. Verificar também que o cubo arrastador (4, Fig. R) esteja livre de sujeira e de objetos (cordas, panos, etc.) enroladas acidentalmente.
10. Predispor a nova escova para a montagem orientando-a com o andamento inclinado das cerdas, (1, Fig. H) como representado na figura, vista por cima.
11. Inserir a nova escova na máquina e certificar-se que sua tomada (1, Fig. I) se introduza no respectivo cubo arrastador (4, Fig. R). Verificar também

que o cubo arrastador esteja isento de sujeira e de objectos (cordas, panos, etc.) acidentalmente enrolados.

12. Remontar a tampa (1, Fig. F) da escova, prendendo as travas (2).
13. Aparafusar a manopla (3, Fig. E).
14. Executar a Regulação Altura da Escova Central, como indicado no parágrafo anterior.

AJUSTE ALTURA DA ESCOVA LATERAL



NOTA:

São fornecidas escovas de várias durezas. O presente procedimento é aplicável a todos os tipos de escova.

1. Controlar a correcta altura do chão da escova lateral, operando como segue:
2. Posicionar a máquina em um piso plano e abaixar a escova lateral.
3. Mantendo a máquina parada fazer girar por alguns segundos a escova lateral.
4. Parar a escova lateral e deslocar a máquina.
5. Verificar que a marca deixada pela escova lateral, seja por extensão e orientação igual àquela ilustrada na Fig. J. Somente no caso em que a marca resulte diferente, proceder à regulação da altura da escova, operando como descrito no ponto a seguir.
6. Girar a manopla (12, Fig. C) em sentido horário ou anti-horário para regular a altura da escova do solo.
7. Executar novamente os pontos **do 1 ao 5** para verificar a correta regulação da altura da escova lateral com relação ao piso.
8. Quando, o excessivo consumo da escova não permitir mais sua regulação, substituir a escova como previsto no parágrafo a seguir.

SUBSTITUIÇÃO DA ESCOVA LATERAL



NOTA:

São fornecidas escovas de várias durezas. O presente procedimento é aplicável a todos os tipos de escova.

1. Levantar a chave de partida (2, Fig. B) para a posição "0".
2. Inserir a mão no interior da escova lateral e pressionar as linguetas (1, Fig. K) para dentro, então, remover a escova (2, Fig. K) soltando-a dos quatro eixos (3, Fig. K).
3. Montar a nova escova na máquina prendendo-a nos eixos (3, Fig. K) e nas linguetas (1, Fig. K).
4. Executar a Regulação Altura da Escova lateral, como indicado no parágrafo anterior.

LIMPEZA FILTRO POEIRAS E VERIFICAÇÃO INTEGRIDADE



NOTA:

além do filtro de papel padrão, também se encontram disponíveis como opcionais filtros em poliéster. O presente procedimento é aplicável para qualquer um desses tipos.

1. Posicionar a máquina em um terreno plano e, se presente accionar o travão a pedal (26, Fig. C).
2. Levantar a chave de partida (2, Fig. B) para a posição "0".
3. Soltar a trava (18, Fig. C).
4. Extrair a gaveta porta lixo (17) por meio da maçaneta (19, Fig. C).
5. Girar a maçaneta (1, Fig. L) (de aproximadamente 90°) para cima e deixar o chassis porta filtro (2, Fig. L) girar para fora.
6. Extrair o filtro poeiras (3, Fig. L) pelo alto.
7. Em ambiente externo, limpar o filtro sacudindo-o sobre uma superfície plana e limpa, batendo com o lado (1, Fig. M), oposto àquele da rede (2).
8. Completar a limpeza por meio de um jato perpendicular (3, Fig. M) de ar comprimido de no máximo 6 Bar (87 psi), soprando unicamente do lado protegido com a rede (2, Fig. M). Tomar, além disso os seguintes cuidados em função do tipo de filtro tratado:
 - **Filtro de papel** (padrão): não utilizar água ou detergentes para limpá-lo; corre-se o risco de danificá-lo irremediavelmente.
 - **Filtro em poliéster** (opcional): para a sua lavagem ver as instruções acima citadas. Eventualmente, para uma limpeza mais profunda, é permitido lavar o filtro com água e eventualmente com detergentes não espumantes. Lembra-se que tal tipo de lavagem, mesmo que de melhor qualidade, reduz a vida útil do filtro que será substituído mais frequentemente. O emprego de detergentes inadequados prejudica as características funcionais do filtro.
Controlar que o corpo do filtro não tenha lacerações.
9. Se necessário, limpar a vedação de borracha (4, Fig. L) do vão do filtro ao longo de todo o seu perímetro; além disso controlar que esteja íntegra. Caso contrário proceder à sua substituição.
10. Para a remontagem, inverter oportunamente a sucessão das operações executadas para a desmontagem.



NOTA:

Ao remontar orientar o filtro com a rede (2, Fig. M) voltada para a parte dianteira da máquina (na direção da ventoinha (16, Fig. U))

VERIFICAÇÃO ALTURA E FUNCIONAMENTO DOS FLAP

1. Posicionar a máquina sobre um piso plano e adequado a servir de plano de referência para a verificação da correcta altura dos flap, se presente, accionar o travão a pedal (26, Fig. C) ou bloquear as rodas.
2. Levantar a chave de partida (2, Fig. B) para a posição "0".

Verificação flap laterais

3. Verificar a integridade dos flap laterais (13 e 14, Fig. C).
Substituir os flap quando estiverem presentes cortes (1, Fig. N) de mais de 20 mm/0.75 in ou quebras (2) de mais de 10 mm/0.5 in (ver o Serviço Manual para a Substituição dos flap).
4. Verificar que a altura dos flap laterais do chão (13 e 14, Fig. C), seja de zero a 3 mm/0-1/8 in (ver Fig. O). Se necessário ajustar a altura dos flap, operando como descrito a seguir.

Flap esquerdo:

- a. Erguer a capota, soltar a manopla (3, Fig. E) e remover a tampa esquerda (1, Fig. F) da escova, pressionando-a para baixo para soltar as travas (2).
- b. Ajustar a altura do flap (3, Fig. F) desfrutando seus furos (4, Fig. F).
- c. Remontar as partes removidas invertendo oportunamente a sucessão das operações executadas para a desmontagem.

Flap direito:

- a. Remover a Escova Central, como previsto no Parágrafo específico.
- b. Tirar a correia (12, Fig. U) da polia (14, Fig. U); para facilitar a operação, fazer girar a polia (14, Fig. U) agindo manualmente na ventoinha (16, Fig. U).
- c. Soltar os parafusos (25, Fig. C) e remover a tampa direita (24, Fig. C) juntamente com a correia (12, Fig. U).
- d. Ajustar, na máquina, a altura do flap (1, Fig. S) desfrutando seus furos (2, Fig. S).
- e. Remontar as partes removidas invertendo oportunamente a sucessão das operações executadas para a desmontagem.

Verificação flap dianteiro e traseiro

5. Remover a Escova Central, como previsto no Parágrafo específico.
6. Verificar a integridade dos flap dianteiro (1, Fig. R) e traseiro (2).
7. Substituir os flap quando estiverem presentes cortes (1, Fig. N) de mais de 20 mm ou quebras (2) de mais de 10 mm (ver o Service Manual para a Substituição dos flap).
8. Verificar que:
 - o flap dianteiro (1, Fig. P), roce levemente no piso e, todavia, que não esteja afastado do chão (como na figura)
 - o flap traseiro (1, Fig. O), esteja a uma altura do piso de zero a 3 mm (como na figura)
9. Se necessário, ajustar a altura dos flap desfrutando seus furos (3, Fig. R).
10. Acionar a alavanca ergue-flap dianteira (27, Fig. C) e verificar que o flap dianteiro (1, Fig. Q) gire para cima de aproximadamente 90° (como na figura); soltar a alavanca e verificar que o flap retorne para a posição inicial e não permaneça em uma posição intermediária. Se necessário ver o Service Manual para o Ajuste ou a Substituição do Cabo de Comando flap dianteiro.
11. Remontar as partes removidas invertendo oportunamente a sucessão das operações executadas para a desmontagem.

CARREGAMENTO DA BATERIA



ATENÇÃO!

O carregamento das baterias produz gás hidrogênio, altamente explosivo. Carregar somente em áreas bem ventiladas e longe de chamas livres ou faíscas.

Não fumar durante o carregamento das baterias.

Manter a capota em posição aberta durante todo o ciclo de recarga da bateria.



ATENÇÃO!

Prestar uma atenção especial durante a recarga da bateria, já que é possível a saída de pequenas quantidades de líquido da bateria na fase de carregamento. Tal líquido é corrosivo; se entrar em contacto com a pele ou os olhos, lavar com muita água e consultar um médico.

1. Posicionar a máquina sobre um terreno plano e, se presente, accionar o travão a pedal (26, Fig. C).
2. Levantar a chave de partida (2, Fig. B) para a posição "0".

3. Erguer a capota (7, Fig. C).
4. (Somente para baterias de chumbo) executar uma verificação do correcto nível do electrólito no interior da bateria; se necessário completá-lo através das tampas (8, Fig. U).
5. Deixar todas as tampas (8) abertas para a sucessiva recarga.
6. Limpar (se necessário) a superfície superior da bateria.
7. Ligar o cabo elétrico (5, Fig. U) do carregador de bateria com a rede elétrica (a voltagem e a frequência de rede devem ser iguais aos valores correspondentes do carregador de bateria: ver o MANUAL OPERACIONAL do aparelho).
8. Quando o sinalizador luminoso verde (11, Fig. U) se acender, a bateria está carregada.



NOTA:

Para maiores informações sobre o funcionamento do carregador de bateria (4, Fig. U) consultar o seu Manual Operacional.

9. Desligar o cabo elétrico (5, Fig. U) do carregador de bateria da rede elétrica e guardá-lo no alojamento da máquina.
10. Fechar a capota (7, Fig. U); a máquina está pronta para o uso.



NOTA:

Quando o carregador de bateria está ligado à rede, todas as funções da máquina são automaticamente excluídas.

FUNÇÕES DE SEGURANÇA E PROCURA DEFEITOS

INTERRUPTOR DE SEGURANÇA ABERTURA CAPOTA

É acionado no momento em que se ergue o capô da máquina: pára todas as funções.

No caso em que a máquina parta, mesmo com a capota levantada, procurar imediatamente um Centro de Assistência autorizado ou o próprio revendedor de confiança.

PROCURA DE DEFEITOS

PROBLEMA	SOLUÇÃO
Girando a chave para a posição "I" a máquina não parte.	Verificar a correcta conexão do conector 3, Fig. U.
	Verificar o correcto fechamento da capota.
	Controlar o fusível de armar (6, Fig. U)
	Verificar integridade sinal fusível
	Verificar que o carregador de bateria esteja adequadamente ligado à bateria(s) e/ou que o carregador de bateria não esteja ligado à rede para recarregar baterias.
A escova lateral não funciona.	Verificar a integridade do fusível 7, Fig. U.
A máquina funciona somente parada mas, sob esforço se desliga e o indicador luminoso vermelho lampeja.	Recarregar a bateria. Caso o problema persista substituir a bateria.
O fusível de armar (6, Fig. U) é acionado frequentemente	Verificar que a marca da escova principal no piso não seja superior a 4 cm/1.57 in
	Verificar que a máquina não trabalhe em rampas com pendência superior a 2%
	Verificar que detritos não impeçam a rotação da escova central
A bateria tem pouca autonomia.	Montar uma bateria de maior capacidade. (min. 140 Ah)



NOTA:

se sua máquina tiver um carregador de baterias instalado, a mesma pode não operar se o carregador não estiver a bordo. Em caso de mau funcionamento do carregador de baterias, contatar um Centro de Assistência autorizado.

Para maiores informações contactar os Centros de Assistência Advance, os quais possuem o Manual de Oficina (Service Manual).

SUCATEAMENTO

Proceder ao sucateamento da máquina junto a um demolidor autorizado.

Antes de sucatear a máquina é necessário, em qualquer caso, remover as seguintes partes:

1. Bateria
2. Filtro poeiras em poliéster
3. Escovas central e lateral
4. Placa de circuitos.



ADVERTÊNCIA!

Os componentes removidos devem ser enviados a colectas diferenciadas em respeito da Normativa de higiene ambiental vigente.

