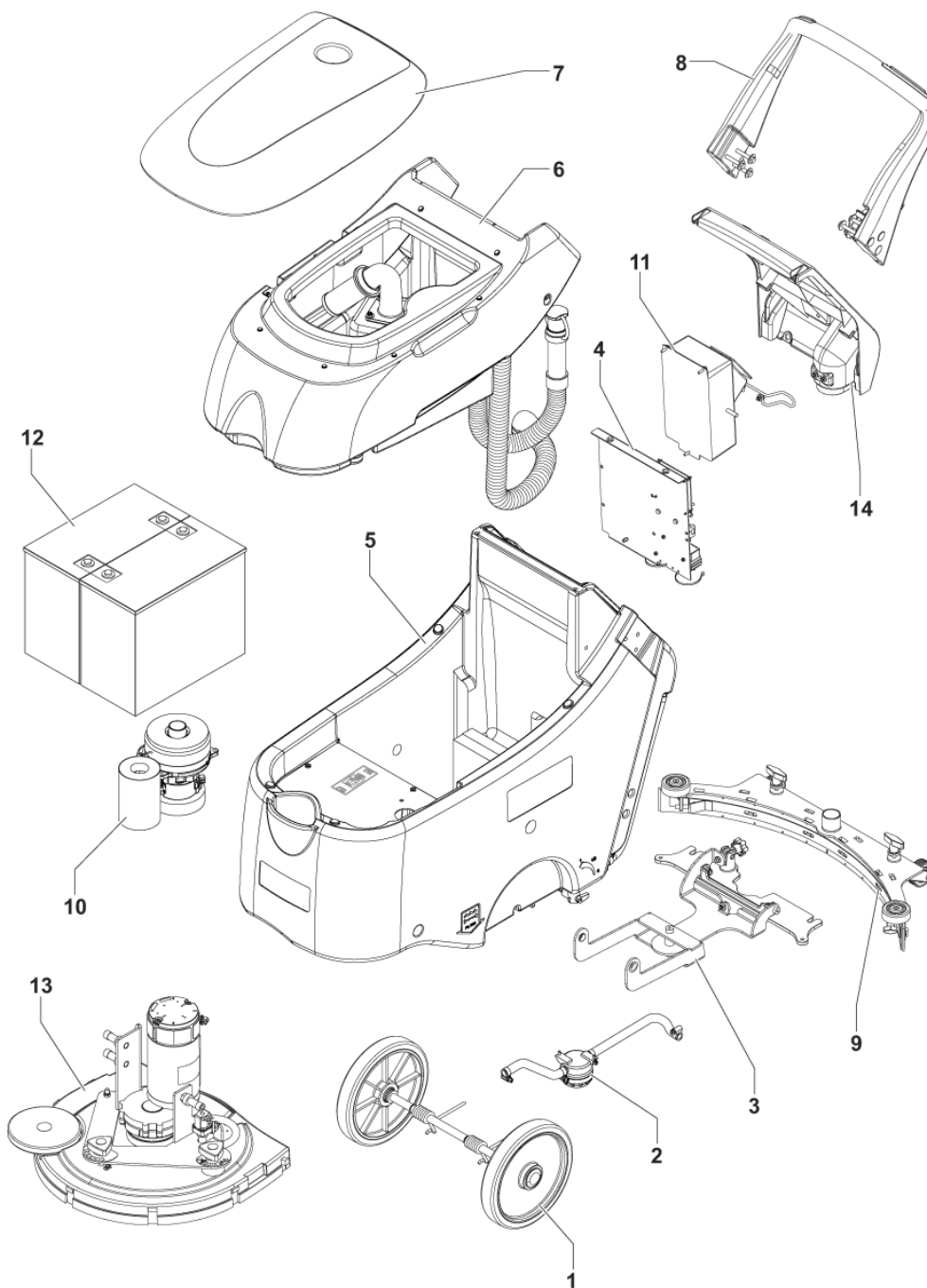


PARTS LIST

2016.01.28

TABLE OF CONTENTS

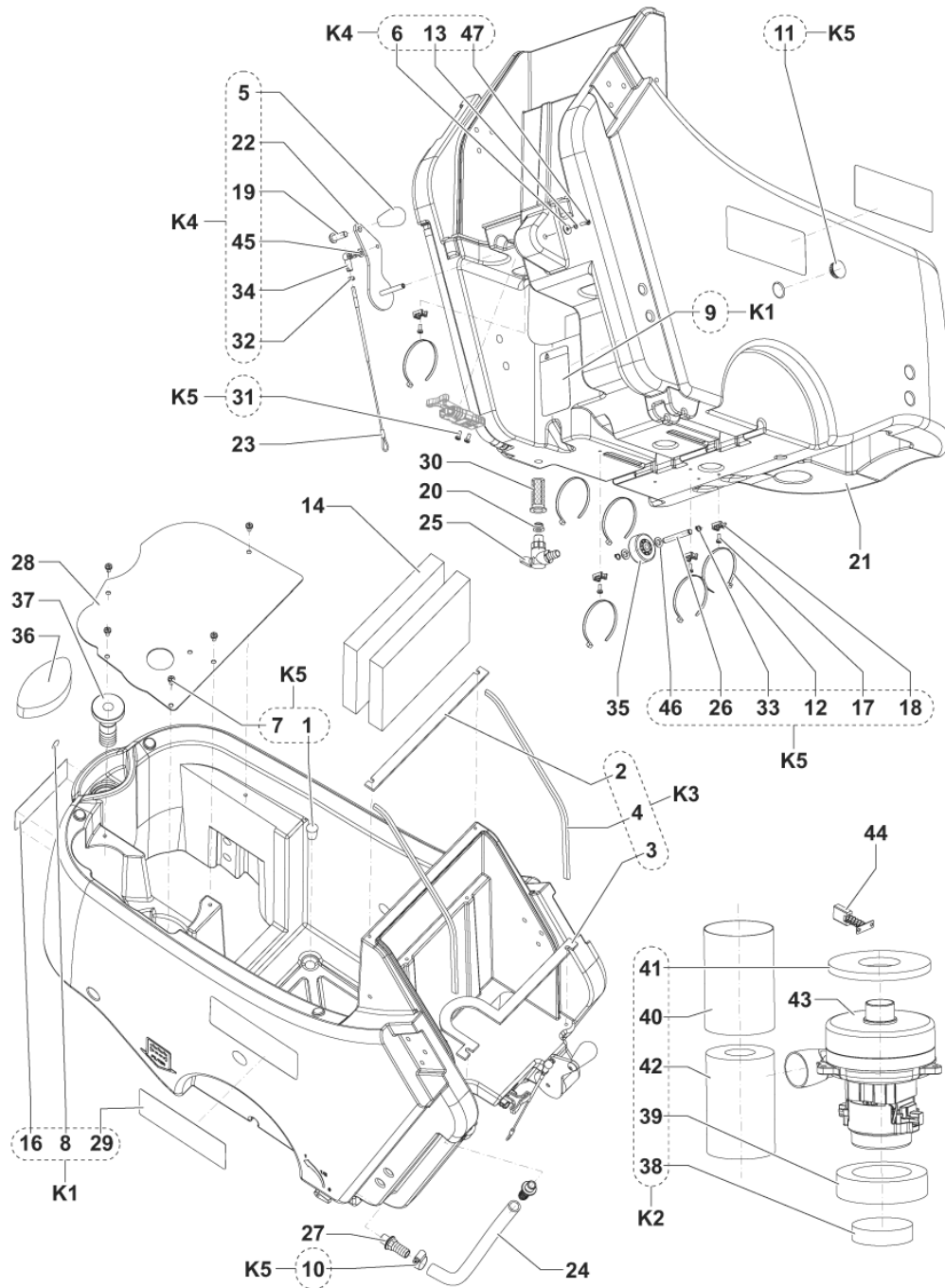
GENERAL SYSTEM.....	1
SOLUTION TANK.....	3
RECOVERY TANK.....	5
HANDLE BAR AND WHEELS.....	7
SOLUTION SYSTEM.....	9
SQUEEGEE SYSTEM.....	11
BRUSH DECK.....	13
CONTROL PANEL.....	15
ELECTRICAL COMPONENTS.....	17
ACCESSORIES.....	19
ACCESSORIES.....	21
WIRING DIAGRAM.....	23
RECOMMENDED PARTS.....	25



No.	Part No.	Qty.	Description	Part Note
1		1	WHEELS ASSEMBLY	[1]
2		1	SOLUTION SYSTEM ASSEMBLY	[2]
3		1	SQUEEGEE HOLDER ASSEMBLY	[3]
4		1	ELECTRONIC BOX ASSEMBLY	[4]
5		1	SOLUTION TANK ASSEMBLY	[5]
6		1	RECOVERY TANK ASSEMBLY	[6]
7		1	COVER TANK ASSEMBLY	[7]
8		1	HANDLE BAR ASSEMBLY	[8]
9		1	SQUEEGEE ASSEMBLY	[3]
10		1	VACUUM ASSEMBLY	[9]
11		1	CHARGER ASSEMBLY	[10]
12		1	BATTERIES	
13		1	BRUSH DECK ASSEMBLY	[11]
14		1	CONTROL PANEL ASSEMBLY	[12]

Part Notes:

- [1] - WHEELS
- [2] - SOLUTION SYSTEM
- [3] - SQUEEGEE SYSTEM
- [4] - ELECTRICAL COMPONENTS
- [5] - SOLUTION TANK
- [6] - RECOVERY TANK
- [7] - COVERTANK
- [8] - HANDLE BAR
- [9] - VACUUM
- [10] - OPTION
- [11] - BRUSH DECK
- [12] - CONTROL PANEL



SOLUTION TANK

SC450 53B NIL

2015.05.19

2016.01.26

No.	Part No.	Qty.	Description	Part Note
5	909 6621 000	1	KNOB	
14	146 0668 000	2	PANEL INSULATING	
20	909 5286 000	1	GASKET	
21	9099251000	1	TANK SOLUTION	
23	9099258000	1	CABLE SQUEEGEE LIFTING	
24	9099261000	1	HOSE SOLUTION	
25	9099513000	1	VALVE ELBOW 90. D.13MM	
27	9100001780	2	BARB HOSE STRAIGHT D.16 G3/8 KIT	
28	9100000168	1	PLATE VACUUM MOTOR	
30	9100001353	1	FILTER SOLUTION TANK PKD	[1]
35	9099953000	1	WHEEL D.50	[2]
36	9099561000	1	SPONGE WATER ENTRANCE	
37	9097290000	1	HOSE FILLING	[1]
38	909 6672 000	1	FILTER	
43	9099922000	1	MOTOR VACUUM 330W 24V KIT	
44	909 5371 000	2	CARBON BRUSH	
K1	9099856000	1	DECALS SC450 ADV KIT	
K2	9099310000	1	GASKETS VACUUM MOTOR KIT	
K3	9099311000	1	GASKETS KIT	
K4	9100000767	1	LEVER SQUEEGEE LIFTING KIT	
K5	9100000768	1	HARDWARE SOLUTION TANK KIT	

Part Notes:

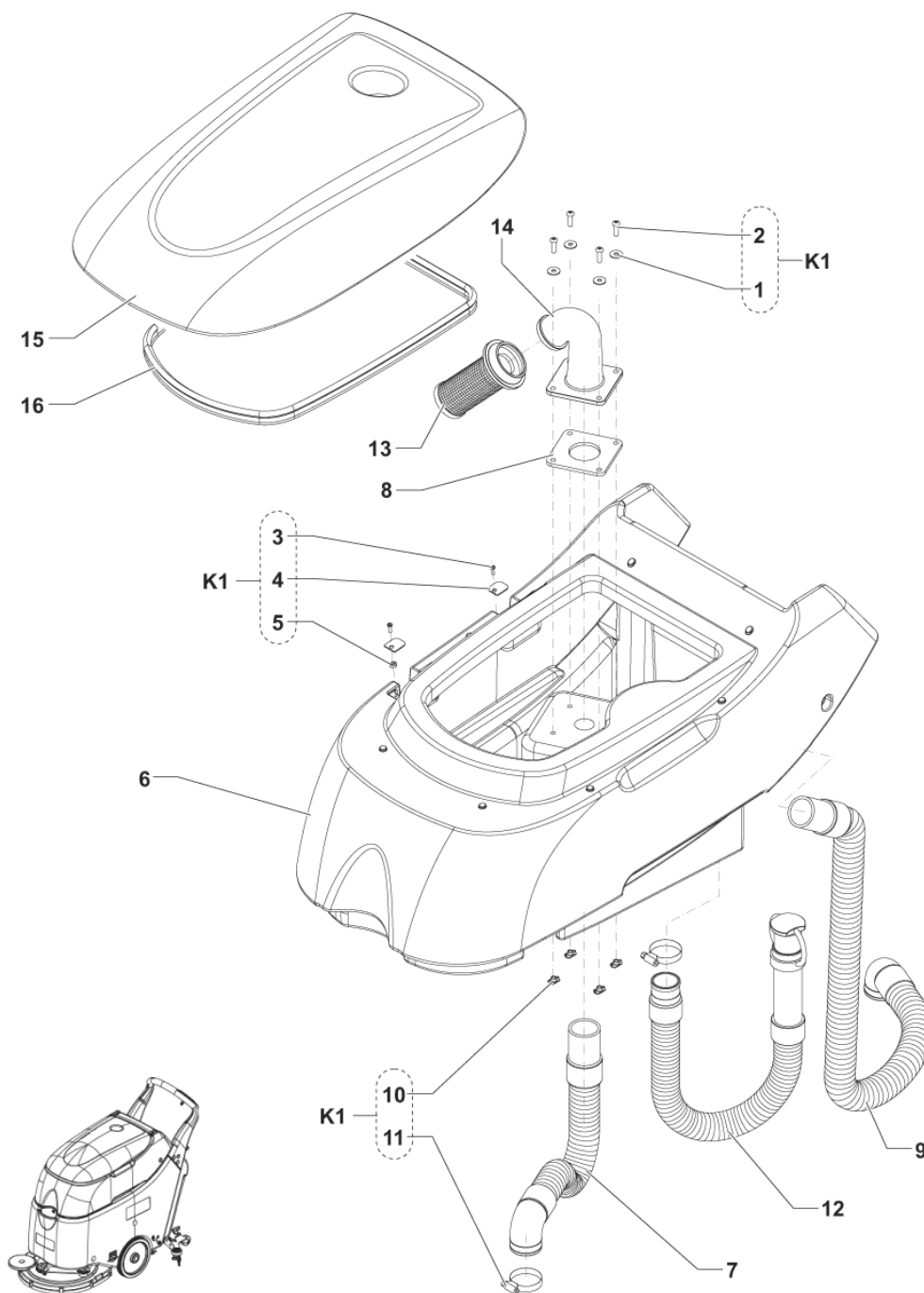
- [1] - OPTION
- [2] - starting from serial number 3510124805613

RECOVERY TANK

SC450 53B NIL

2015.05.19

2015.11.11



RECOVERY TANK

SC450 53B NIL

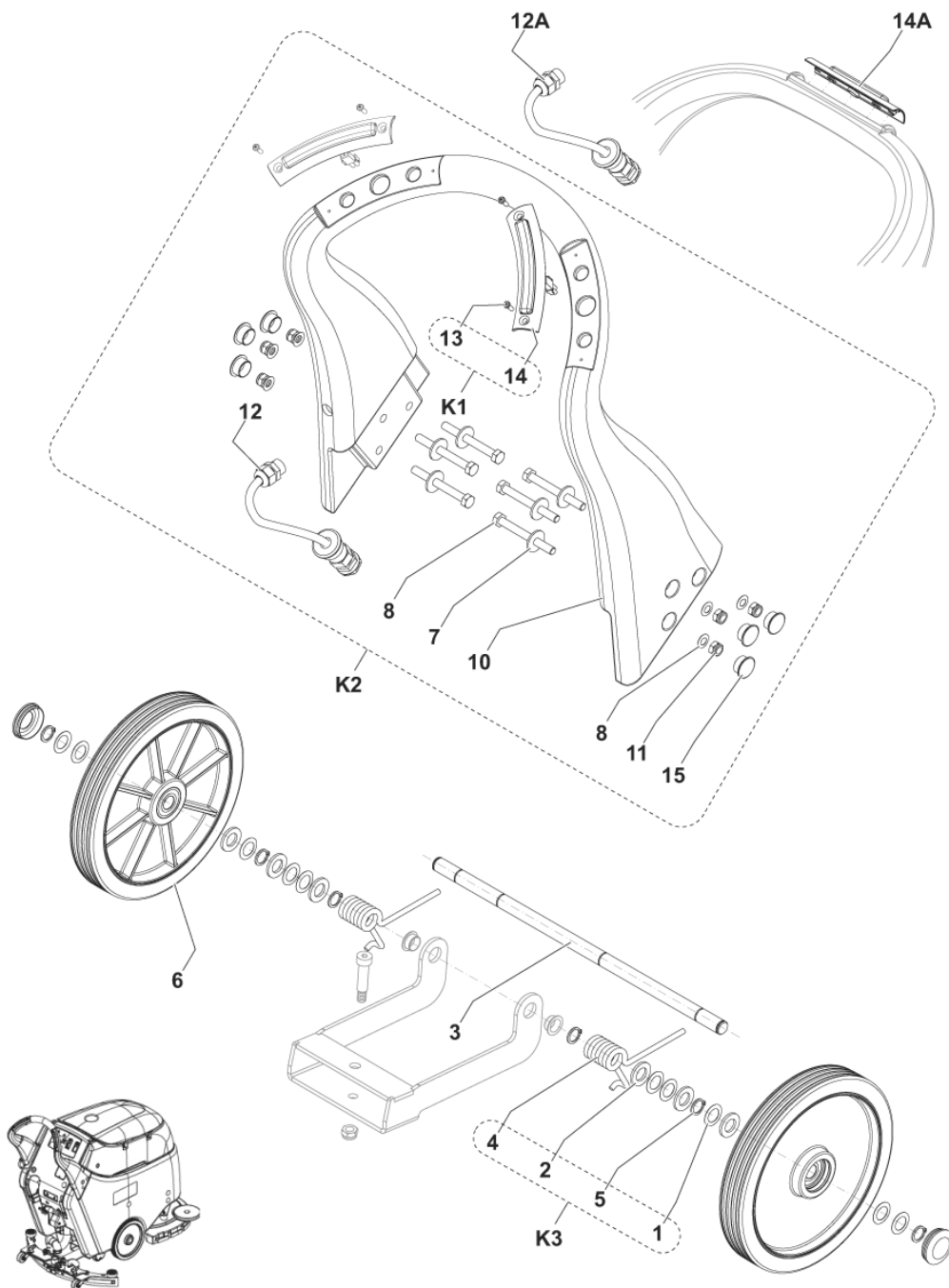
2015.05.19

2015.11.11

No.	Part No.	Qty.	Description	Part Note
6	9099252000	1	TANK RECOVERY	
7	9099255000	1	HOSE VACUUM MOTOR	
8	9100000912	1	GASKET FLOAT CAGE HOLDER PKD	
9	9100000642	1	HOSE SUCTION BLACK PKD	
12	9099692000	1	HOSE DRAIN BLACK PKD	
13	9099559000	1	FLOAT SHUT OFF	
14	9099558000	1	ELBOW FLOAT HOLDER	
15	9099253000	1	COVER TANK	
16	9099342000	1	GASKET BULB RUBBER L.1350MM PKD	
17	909 5065 000	1	FILTER ANTIFOAMING	[1]
K1	9099313000	1	HARDWARE RECOVERY TANK KIT	

Part Notes:

[1] - OPTION - NOT SHOWN



HANDLE BAR AND WHEELS

SC450 53B NIL

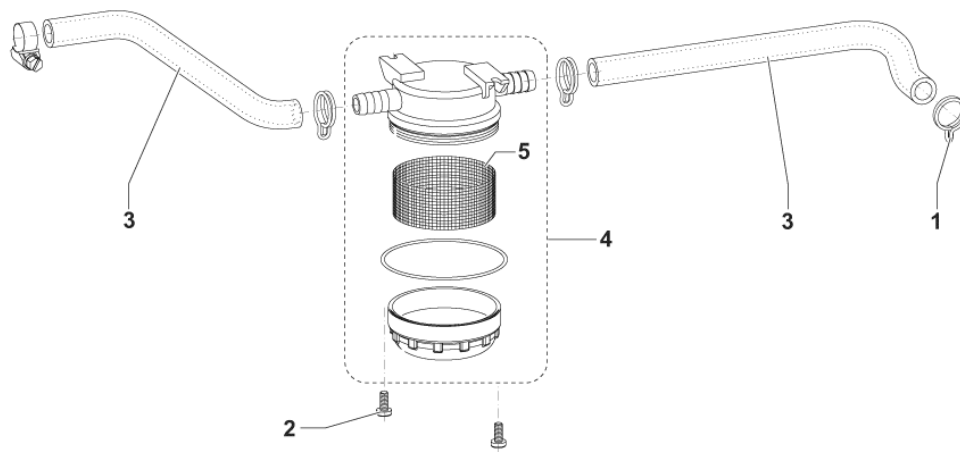
2015.05.19

2015.11.11

No.	Part No.	Qty.	Description	Part Note
3	9099256000	1	SHAFT WHEELS	
6	9099270000	2	WHEEL D.254	
10	9100000564	1	HANDLE BAR GREY PKD	
12	9100000565	1	HARNESS HANDLE BAR PKD	
12A	9099285000	1	HARNESS HANDLE BAR	[1]
12A	9099286000	1	CABLE HANDLE BAR US	[2]
14A	11178A	1	SWITCH HANDLE ASSY	[3]
K1	9100000466	1	SWITCHES CPL BLACK F HANDLE BAR KIT	
K2	9100000425	1	HANDLE BAR GREY KIT	[4]
K3	9100000566	1	HARDWARE WHEELS KIT	

Part Notes:

- [1] - FOR OLD HANDLE BAR EU MODEL WITH ONE SWITCH
- [2] - FOR OLD HANDLE BARUS MODEL WITH ONE SWITCH
- [3] - FOR OLD HANDLE BAR MODEL WITH ONE SWITCH
- [4] - INSTRUCTIONS INSTALL - 9100000465



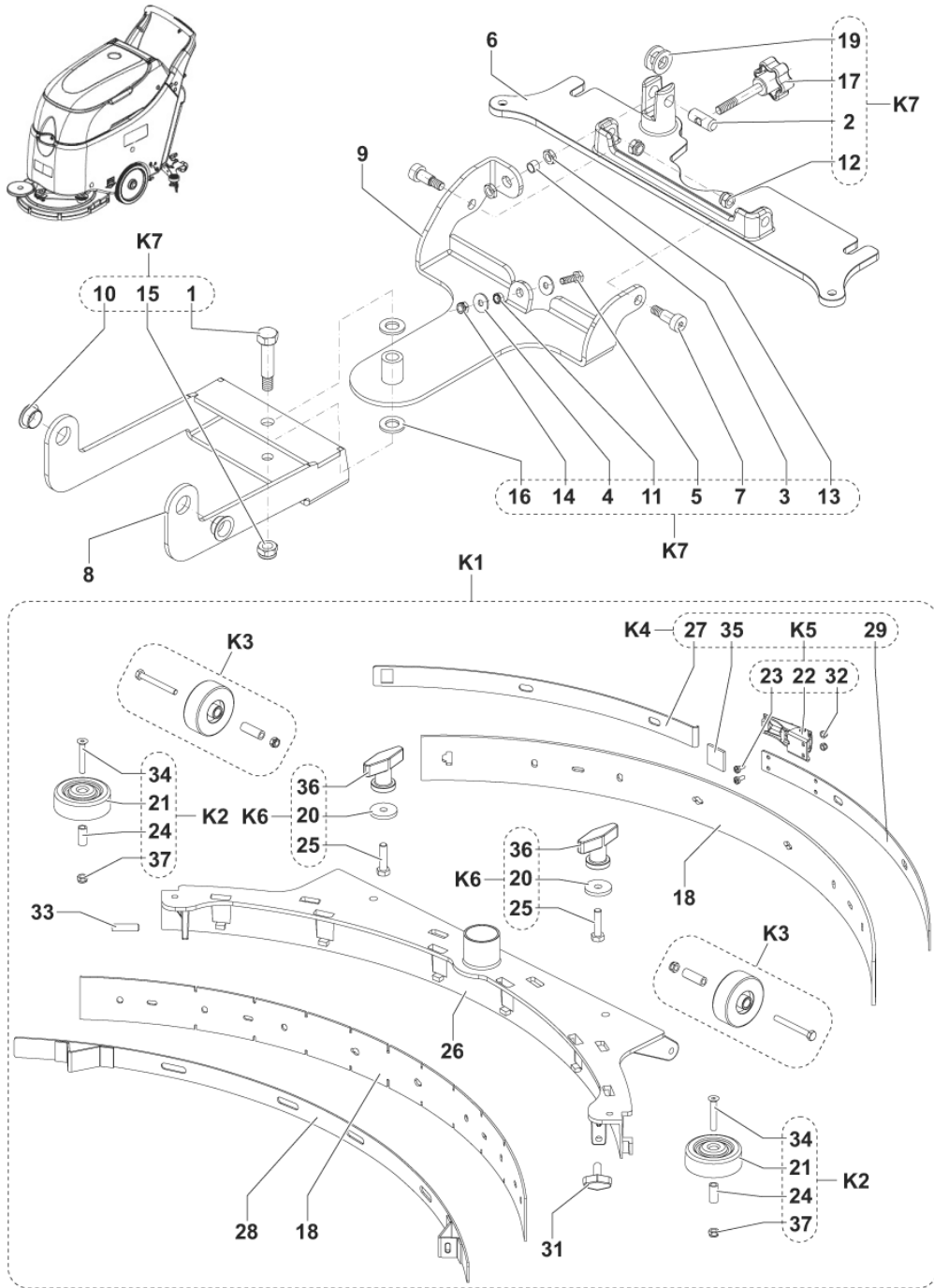
SOLUTION SYSTEM

SC450 53B NIL

2015.05.19

2015.07.06

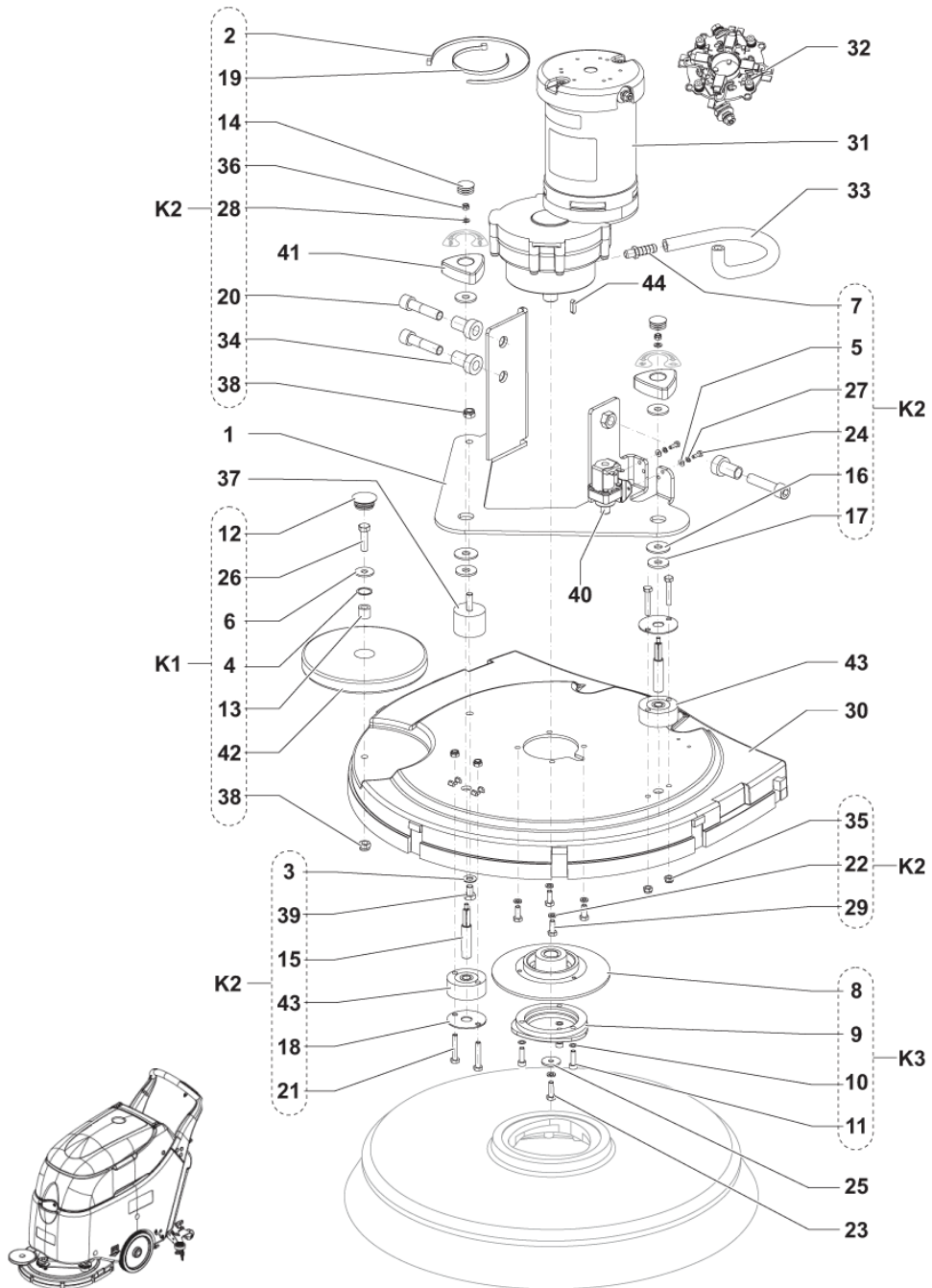
No.	Part No.	Qty.	Description	Part Note
1	910000511	4	CLAMPS F SOLUTION SYSTEM KIT	
2	909 5009 000	2	SCREW M5X12 PAN HD PHIL SS ISO7045	
3	9099337000	2	HOSE D.12 KIT	
4	9100000860	1	FILTER WATER PKD	
5	9100000861	1	NET WATER FILTER REINFORCED PKD	



No.	Part No.	Qty.	Description	Part Note
6	909 6045 000	1	SUPPORT. SQUEEGEE	
8	9100000509	1	SUPPORT FRONT F SQUEEGEE PKD	
9	9100000510	1	SUPPORT REAR F SQUEEGEE PKD	
18	9100000279	1	BLADES NON MARKING 740MM/29 KIT	
18	909 6858 000	1	BLADE SQUEEGEE 740MM 29 PU KIT	[1]
26	909 6044 000	1	WELDMENT.SQUEEGEE TOOL	
28	909 6055 000	1	STRAP.SQUEEGEE FRONT	
31	9100000791	1	KNOB M8X30 THD STUD SS PKD	
33	909 6600 000	1	SCREW GRUB M8X30 CUP POINT SS ISO4029	
K1	909 6851 000	1	SQUEEGEE CPL ALU 760MM/30 KIT	
K2	909 6884 000	1	ROLLER BUMPER SQUEEG.KIT	
K3	909 6883 000	1	WHEELS SQUEEGEE 60X20MM KIT	
K4	909 6882 000	1	HARDWARE SQU.BLADE FIXING KIT	
K5	909 6394 000	1	LATCH SQUEEGEE KIT	
K6	9097637000	1	SQUEEGEE FIXING KIT	
K7	9099322000	1	HARDWARE SQUEEGEE SUPPORT KIT	

Part Notes:

[1] - OPTION



BRUSH DECK

SC450 53B NIL

2015.05.19

2015.07.16

No.	Part No.	Qty.	Description	Part Note
1	9100000572	1	PLATE BLACK BRUSH DECK HOLDER PKD	
8	L08812306	1	HUB BRUSH R.GEARMOTOR RIGHT	
9	L08812480	1	HUB.BRUSH	
25	145 0493 000	1	WASHER 6.6X24X2 UNI6593 SS	
30	909 6042 000	1	DECK BRUSH	
31	9100001279	1	REDUCTION GEARMOTOR 540W 24V KIT	[1]
32	L08603949	1	CARBON BRUSHES SET 4 PCS	[2]
32	9100000421	1	CARBON BRUSHES W/HOLDER KIT	[3]
32	909 5380 000	1	CARBON BRUSHES W/HOLDER KIT 4PCS	[4]
33	9099341000	1	HOSE POLYESTER REINF. D.10 L.250 KIT	
37	9100000868	1	VIBRATION DAMPING M8 60SH 2 PCS SET	
40	9099563000	1	SOLENOID VALVE 24V	
41	L08812203	2	KNOB	
43	L08812213	2	BUFFER	
44	1466147000		KEY 5X5X20 UNI6604A PKD	
K1	909 6887 000	1	ROLLER BUMPER KIT	
K2	9099326000	1	HARDWARE BRUSH DECK KIT	
K3	L08812589	1	HUB BRUSH KIT	

Part Notes:

- [1] - SEE TSB FC 2015-016
- [2] - FOR AMER MOTOR 6913065E
- [3] - STOCK COVERS GUARANTEE
FOR LEROY SOMER MOTOR GM515200 (4852023) - UP TO S.N. 3510152110640
- [4] - STOCK COVERS GUARANTEE

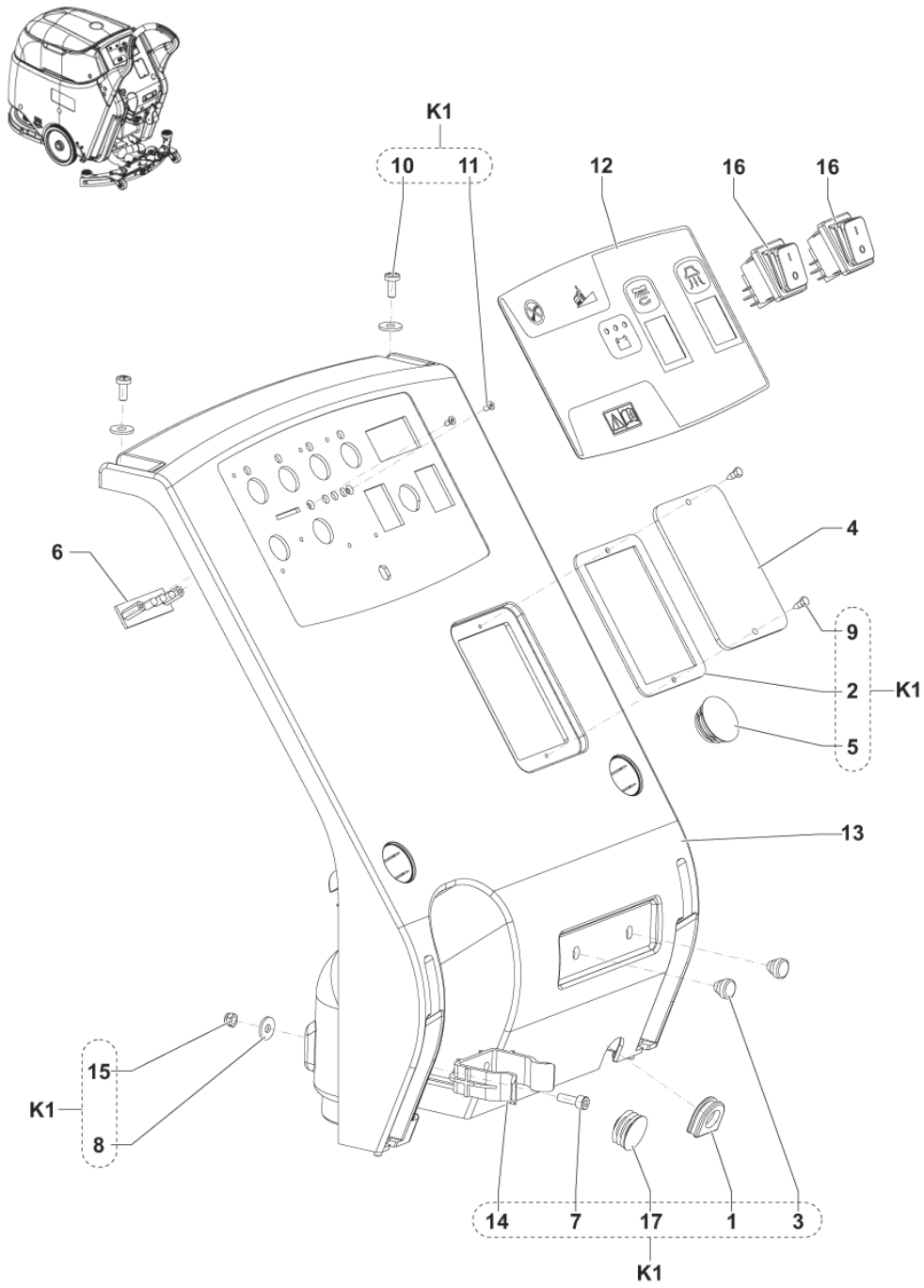
FOR OLD MODEL LEROY SOMER GM462200 - UP TO SN 3510134507872

CONTROL PANEL

SC450 53B NIL

2015.05.19

2015.07.16



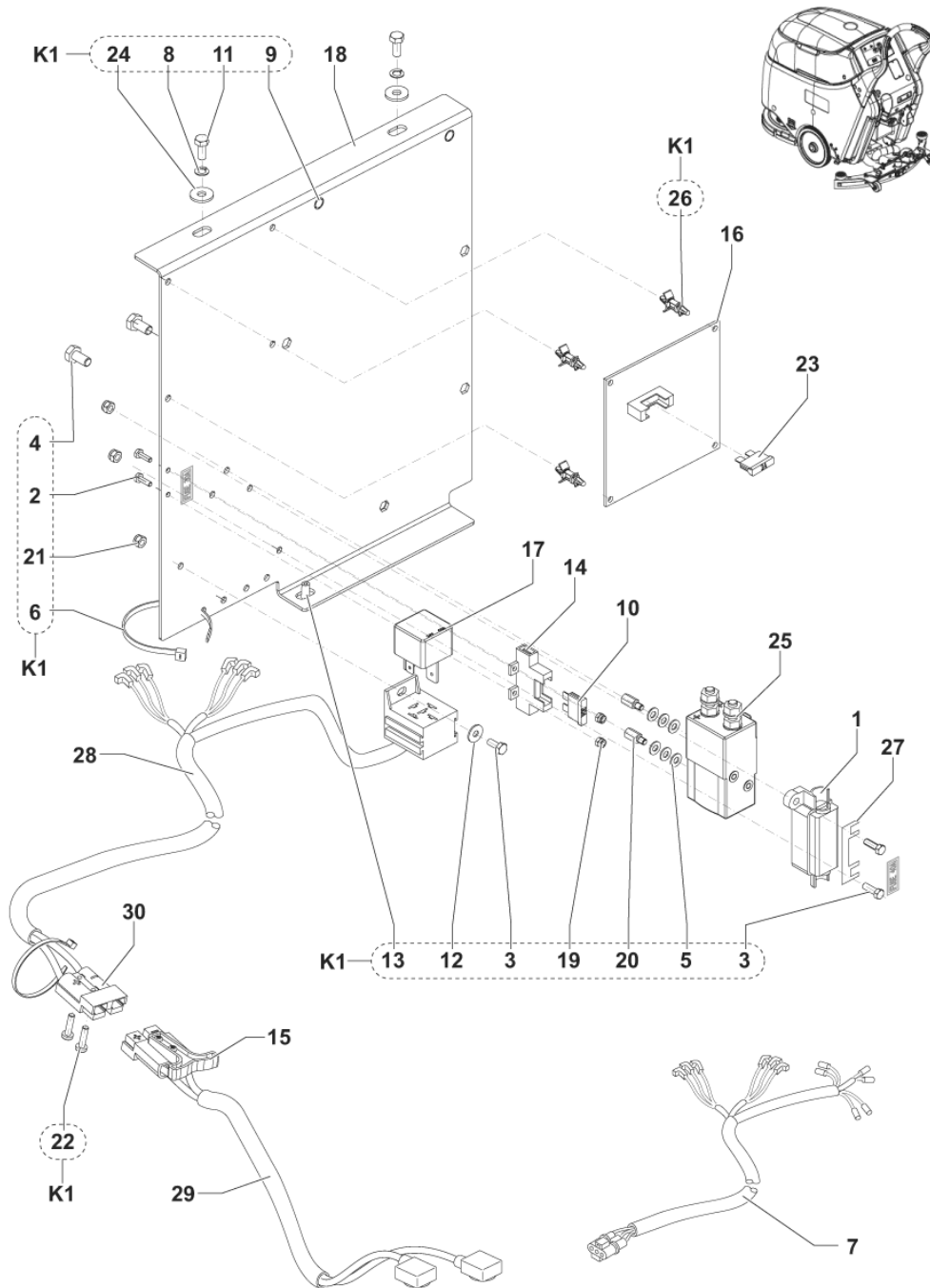
CONTROL PANEL

SC450 53B NIL

2015.05.19

2015.07.16

No.	Part No.	Qty.	Description	Part Note
4	9100001065	1	COVER F INSPECTION PLATE BLACK PKD	
6	L08812909	1	BOARD. LED	
12	9100000943	1	DECAL CONTROL PANEL PKD	
13	9100001361	1	COVER GREY F ELECTRIC COMP. BOX PKD	
16	107404540	2	SWITCH 0-1 DOUBLE POLE SET	
K1	9099327000	1	HARDWARE CONTROL PANEL BA KIT	



ELECTRICAL COMPONENTS

SC450 53B NIL

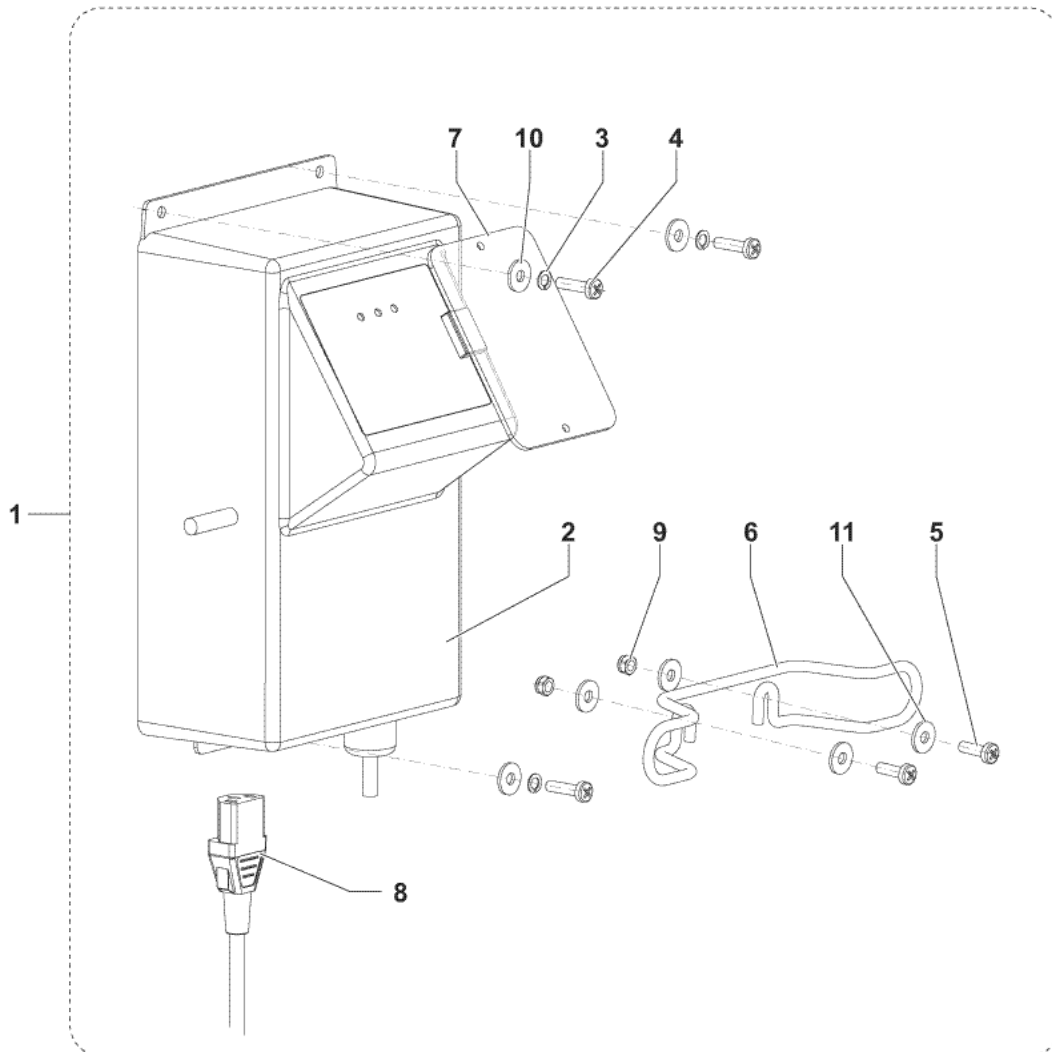
2015.05.19

2016.01.20

No.	Part No.	Qty.	Description	Part Note
1	145 8046 000	1	HOLDER FUSE	
7	9099268000	1	HARNESS MACHINE	
10	145 8513 000	1	FUSE BLADE 30A UL	
14	146 0660 000	1	HOLDER FUSE THERMOPL. UL 94-V0	
15	1464116000	1	HANDLE RED PLASTIC SB 120	
16	9099967000	1	CARD ELECTRONIC PKD	
17	909 6622 000	1	RELAY 24V 40A	
18	909 6498 000	1	SUPPORT ELECTRIC COMP.	[1]
23	145 9852 000	1	FUSE BLADE 5A UL	
25	146 0719 000	1	SWITCH ELECTROMAGNETIC 24V	
27	145 3824 000	1	FUSE STRIP 40A	
27	9100000778	1	FUSE STRIP 30A KIT	[2]
28	9100001196	1	HARNESS ELECTRIC COMP. BOX PKD	
29	L08603889	1	HARNESS BATTERY	
30	9098761000	2	CONNECTOR 50A RED	
K1	9099328000	1	HARDWARE ELECTRIC COMP. KIT	

Part Notes:

- [1] - COMPLEXITY REDUCTION
- [2] - INST. INSTR. 9100000777



ACCESSORIES

SC450 53B NIL

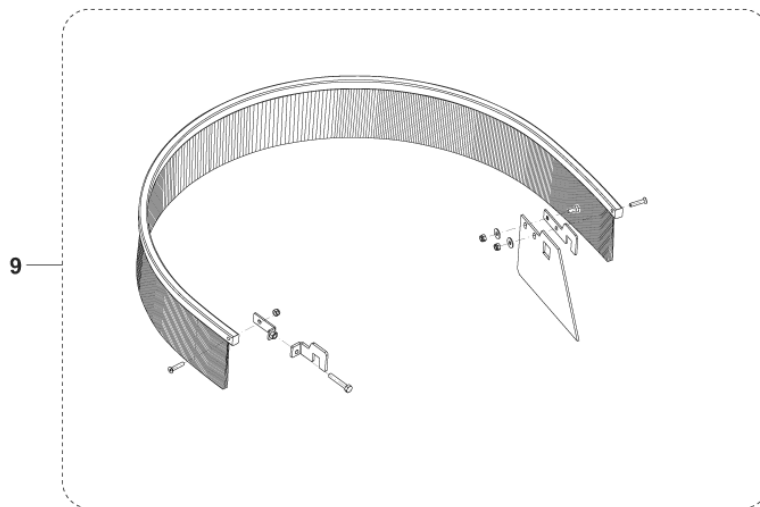
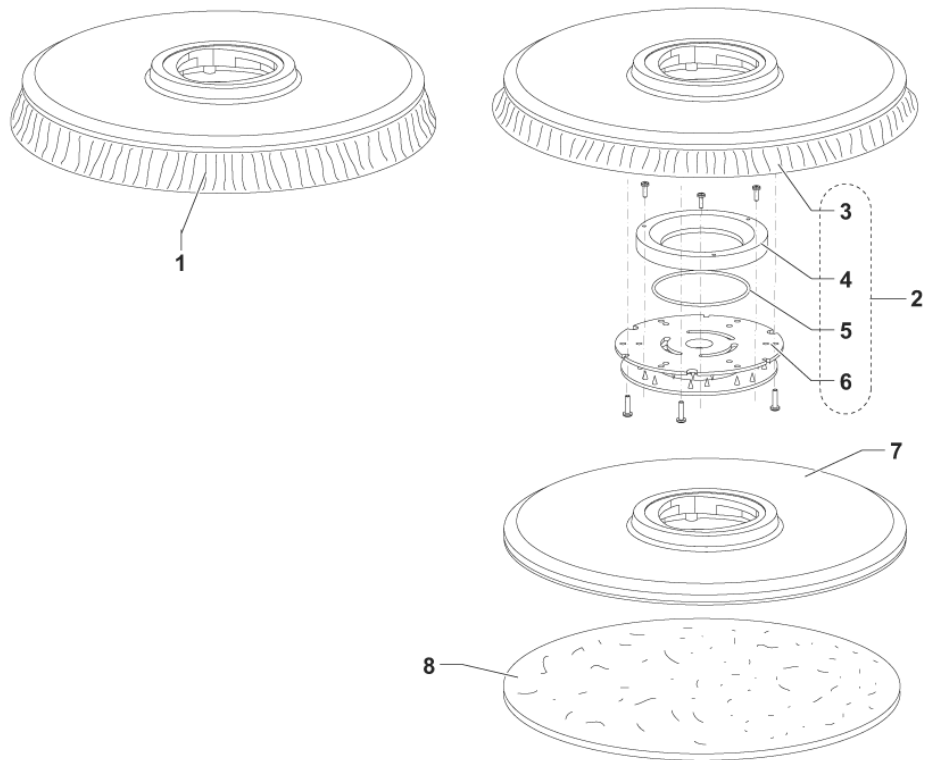
2015.05.19

2015.12.14

No.	Part No.	Qty.	Description	Part Note
1	909 6739 000	1	CHARGER BATT. O/B 24V 13A 100-230V KIT	[1]
2	9098297000	1	CHARGER BATT. O/B 24V 13A 100-230V EU	
5	146 2090 000	2	SCREW M5X16 PAN HD PHIL ISO7045	
6	1466317000	1	SUPPORT CABLE KIT	
7	9100001064		COVER F INSPECTION PLATE TRANSP. PKD	
8	9096914000	1	CABLE EXTENSION US PLUG L.1500MM	
8	9100001151	1	CABLE EXTENSION UK PLUG L.1000MM PKD	
8	9100000790	1	CABLE EXTENSION EU PLUG L.1000MM PKD	
9	33023194	2	NUT SELF L. M5 UNI7474 10 PCS SET	
11	145 1261 000	2	WASHER 5X15X1.5 UNI6593	

Part Notes:

[1] - OPT.INST.INSTR. 909 6746 000



ACCESSORIES

SC450 53B NIL

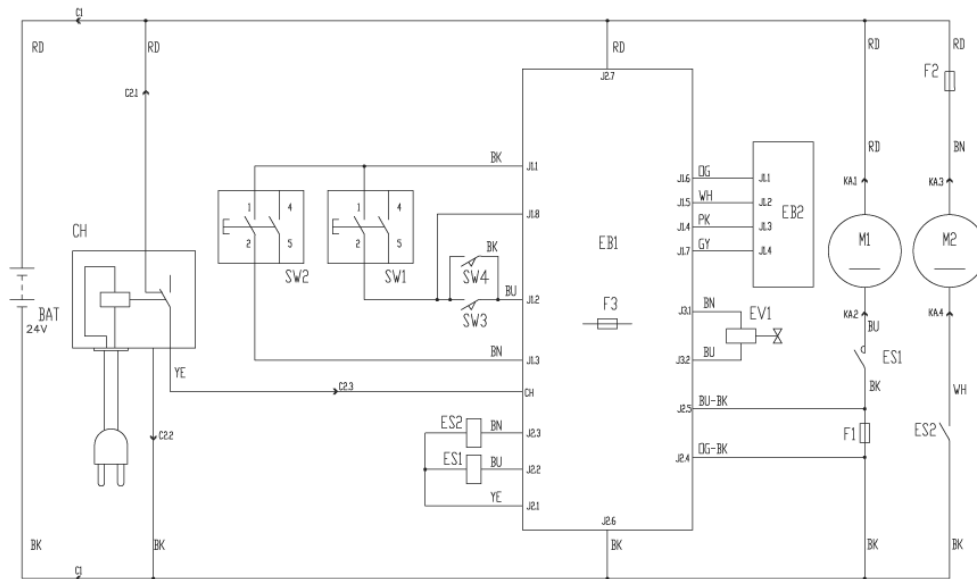
2015.05.19

2015.05.28

No.	Part No.	Qty.	Description	Part Note
1	L08837025	1	BRUSH DISC 530MM 21 PROLENE	[1]
1	L08837026	1	BRUSH DISC 530MM 21 PROLITE	[1]
1	L08837027	1	BRUSH DISC 530MM 21 UNION MIX	[1]
1	L08837028	1	BRUSH DISC 530MM 21 MIDLITE GRIT 180	[1]
1	L08837029	1	BRUSH DISC 530MM 21 MID GRIT 240	[1]
1	L08837065	1	BRUSH DISC 530MM 21 MAGNA GRIT 46	[1]
1	L08837066	1	BRUSH DISC 530MM 21 DYNA GRIT 80	[1]
1	L08837067	1	BRUSH DISC 530MM 21 AGLITE GRIT 500	[1]
4	L08603966	1	RING NYLON	
5	L08603965	1	O-RING 2.62X82.22 -3325-NBR 40SH	
6	56505195	1	PAD RETAINER	
7	9099671000	1	PAD HOLDER FLAT 20 508MM	[1]
7	L08837018	1	PAD HOLDER 530MM	[1]
8	10001955	1	PAD 20 508MM ECO BLACK 5PCS	[1]
8	10001956	1	PAD 20 508MM ECO BLUE 5PCS	[1]
8	10001957	1	PAD 20 508MM ECO BROWN 5PCS	[1]
8	10001958	1	PAD 20 508MM ECO GREEN 5PCS	[1]
8	10001959	1	PAD 20 508MM ECO RED 5PCS	[1]
8	10001960	1	PAD 20 508MM ECO WHITE 5PCS	[1]
8	10002348	1	PAD 20 508MM ECO BRILLIANCE RED 2PCS	[1]
8	10002349	1	PAD 20 508MM ECO BRILLIANCE BLUE 2PCS	[1]
8	10002350	1	PAD 20 508MM ECO BRILLIANCE YELLOW 2PCS	[1]
8	10002351	1	PAD 20 508MM ECO BRILLIANCE GREEN 2PCS	[1]
9	909 6736 000	1	SPLASH GUARD F DECK 530MM 21 KIT	[2]

Part Notes:

- [1] - OPTION
- [2] - OPTION - INST. INSTRUCTION 909 6745 000



WIRING DIAGRAM

SC450 53B NIL

2015.05.19

2015.07.16

No.	Part No.	Qty.	Description	Part Note
BAT		1	24V BATTERIES	
C1	9098761000	1	CONNECTOR 50A RED	
C2		1	MAIN CHARGER CONNECTOR	
CH	9098297000	1	CHARGER BATT. O/B 24V 13A 100-230V EU	
EB1	9099967000	1	CARD ELECTRONIC PKD	
EB2	L08812909	1	BOARD. LED	
ES1	146 0719 000	1	SWITCH ELECTROMAGNETIC 24V	
ES2	909 6622 000	1	RELAY 24V 40A	
EV1	9099563000	1	SOLENOID VALVE 24V	
F1	145 3824 000	1	FUSE STRIP 40A	
F2	145 8513 000	1	FUSE BLADE 30A UL	
F3	145 9852 000	1	FUSE BLADE 5A UL	
M1	9100001279	1	REDUCTION GEARMOTOR 540W 24V KIT	
M2	9099922000	1	MOTOR VACUUM 330W 24V KIT	
SW1	107404540	1	SWITCH 0-1 DOUBLE POLE SET	
SW2	107404540	1	SWITCH 0-1 DOUBLE POLE SET	
SW3-4	9100000466	1	SWITCHES CPL BLACK F HANDLE BAR KITHANDLE BAR SWITCH	

RECOMMENDED PARTS

SC450 53B NIL

2015.05.19

2015.07.28

RECOMMENDED PARTS

SC450 53B NIL

2015.05.19

2015.07.28

No.	Part No.	Qty.	Description	Part Note
N W	909 5371 000	1	CARBON BRUSH	
N W	9100000279	1	BLADES NON MARKING 740MM/29 KIT	
N W	L08837025	1	BRUSH DISC 530MM 21 PROLENE	
N W	909 5380 000	1	CARBON BRUSHES W/HOLDER KIT 4PCS	[1]
N W	9100000421	1	CARBON BRUSHES W/HOLDER KIT	[1]
N W	909 6736 000	1	SPLASH GUARD F DECK 530MM 21 KIT	
O M	9099258000	1	CABLE SQUEEGEE LIFTING	
O M	9099953000	1	WHEEL D.50	
O M	9099922000	1	MOTOR VACUUM 330W 24V KIT	
O M	9099255000	1	HOSE VACUUM MOTOR	
O M	9100000642	1	HOSE SUCTION BLACK PKD	
O M	9099692000	1	HOSE DRAIN BLACK PKD	
O M	9099342000	1	GASKET BULB RUBBER L.1350MM PKD	
O M	9099270000	2	WHEEL D.254	
O M	9100000860	1	FILTER WATER PKD	
O M	9100000861	1	NET WATER FILTER REINFORCED PKD	
O M	9100001279	1	REDUCTION GEAR MOTOR 540W 24V KIT	
O M	9099563000	1	SOLENOID VALVE 24V	
O M	9100000868	1	VIBRATION DAMPING M8 60SH 2 PCS SET	
O M	9099671000	1	PAD HOLDER FLAT 20 508MM	
O M	9099310000	1	GASKETS VACUUM MOTOR KIT	
O M	9099311000	1	GASKETS KIT	
O M	9099513000	1	VALVE ELBOW 90. D.13MM	
E O M	9100000466	1	SWITCHES CPL BLACK F HANDLE BAR KITSWITCH	
E O M	9100000943	1	DECAL CONTROL PANEL PKD	
E O M	107404540	2	SWITCH 0-1 DOUBLE POLE SET	
E O M	11178A	1	SWITCH HANDLE ASSY	
E O M	145 8513 000	1	FUSE BLADE 30A UL	
E O M	9099967000	1	CARD ELECTRONIC PKD	
E O M	909 6622 000	1	RELAY 24V 40A	
E O M	146 0719 000	1	SWITCH ELECTROMAGNETIC 24V	
E O M	145 3824 000	1	FUSE STRIP 40A	
E O M	9100001196	1	HARNESS ELECTRIC COMP. BOX PKD	
E O M	9098761000	2	CONNECTOR 50A RED	
E O M	9099268000	1	HARNESS MACHINE	
E O M	145 9852 000	1	FUSE BLADE 5A UL	
E O M	9098297000	1	CHARGER BATT. O/B 24V 13A 100-230V EU	
E O M	909 6887 000	1	ROLLER BUMPER KIT	

Part Notes:

[1] - STOCK COVERS GUARANTEE

