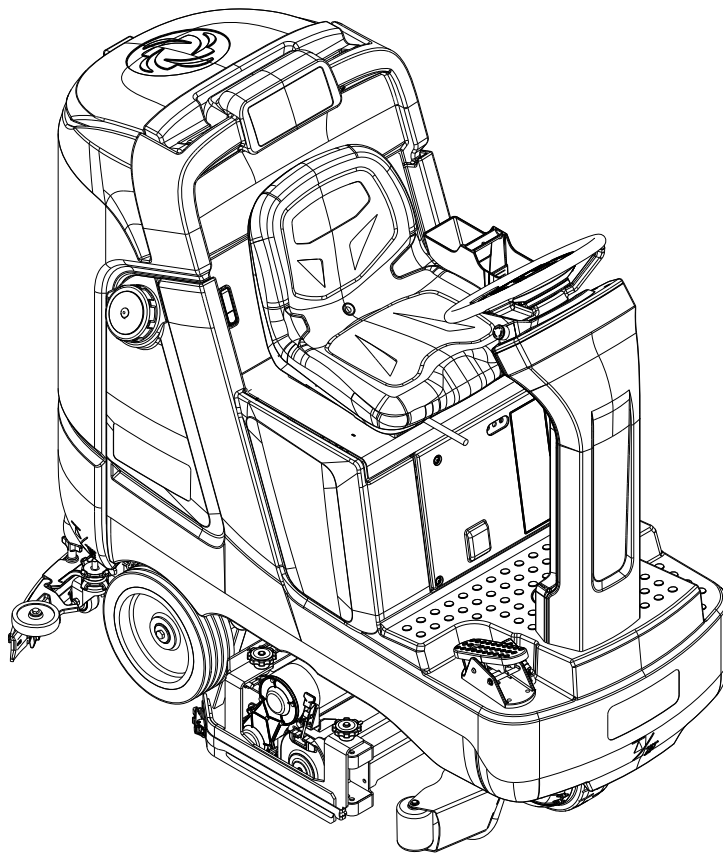


SC4000

Parts List

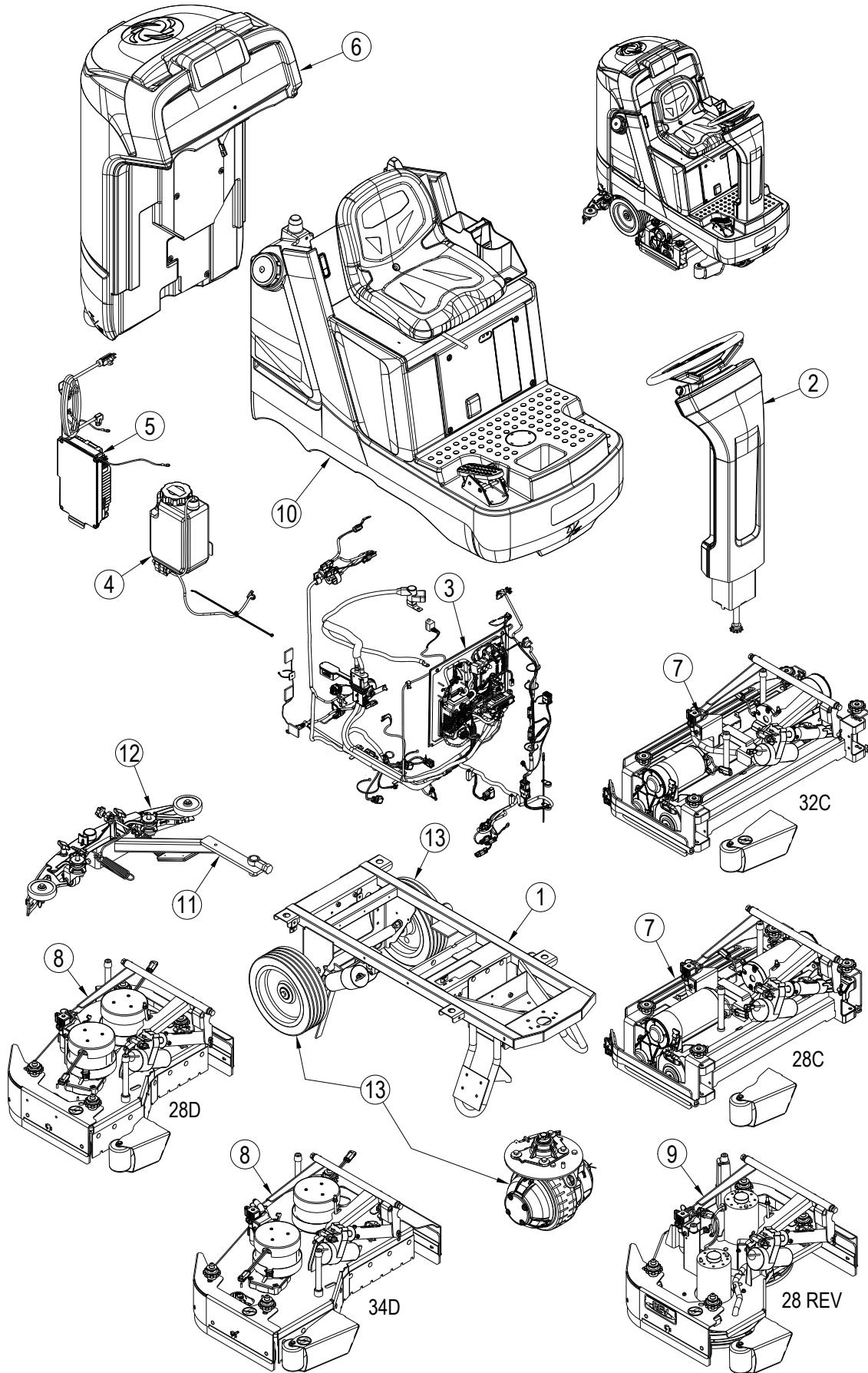
10/2021 revised 1/2023 REV B
Form no. 56042683



Models:

- 56120070 (SC4000 28C)
- 56120071 (SC4000 28D)
- 56120072 (SC4000 28REV)
- 56120073 (SC4000 32C)
- 56120074 (SC4000 34D)
- 56120405 (SC4000 28C HP)
- 56120406 (SC4000 28D HP)
- 56120407 (SC4000 28 REV HP)
- 56120408 (SC4000 32C HP)
- 56120409 (SC4000 34D HP)

GENERAL VIEW



GENERAL VIEW

Kit	Item	Ref. No.	Qty	Description
	1		1	Chassis System
	2		1	Control System
	3		1	Electrical System
	4		1	Ecoflex™ Assembly
	5		1	Onboard-Charger-Assembly
	6		1	Recovery System
	7		1	Scrub System-Cylindrical
	8		1	Scrub System-Disc
	9		1	Scrub System-Rev
	10		1	Solution System
	11		1	Squeegee System
	12		1	Squeegee Assy
	13		1	Wheel System

TABLE OF CONTENTS

DESCRIPTION	PAGE
Chassis System	4-5
Steering Control System	6-7
Decal System	8-9
Electrical Systems	10-23
Ecoflex™ Assembly	24-25
Onboard-Charger-Assembly	26-27
Recovery System	28-29
Scrub System-Cylindrical-Deck Assembly-28C	30-31
Scrub System-Cylindrical-Deck Assemblies-28C	32-33
Scrub System-Cylindrical-Deck Assembly-32C	34-35
Scrub System-Cylindrical-Deck Assemblies-32C	36-37
Scrub System-Cylindrical-Side Blade Assemblies	38-39
Scrub System-Disc-Deck Assembly-28D	40-41
Scrub System-Disc-Deck Assembly-34D	42-43
Scrub System-Rev-Deck Assembly	44-45
Scrub System-Disc-Rev-Side Skirt Assemblies 28D	46-47
Scrub System-Disc-Side Skirt Assemblies 34D	48-49
Solution System	48-49
Squeegee System	50-51
Squeegee System-Squeegee Assy L	52-53
Squeegee System-Squeegee Assy M	54-55
Wheel System	56-57
Ladder Diagrams	60-75
Options & Accessories	76-77
Recommended Spare Parts	78-79
Brush Selector Guide-Disc	80
Brush Selector Guide-Cylindrical	81
Squeegee Blade Selector Guide	82

WHEN ORDERING PARTS

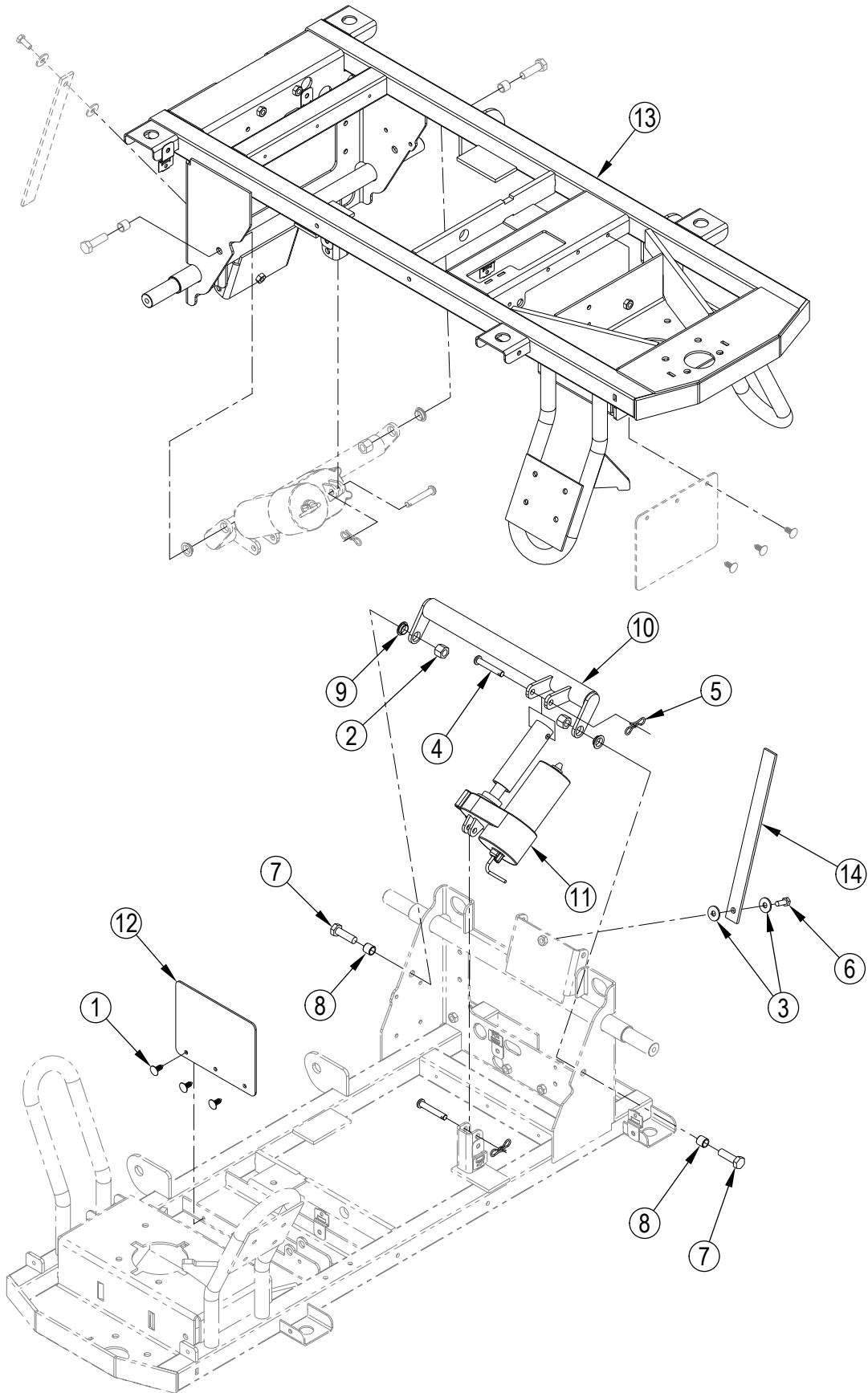
- * Use the part numbers from the "Ref. No." columns in this parts list. If the "Ref. No." column is blank; look under the "Kit" column to identify which kit contains the part in question, then use the kit callout, for example "K1", to find the "Ref. No." for that kit.

Kit	Item	Ref. No.	Qty	Description
K1	1		16	Washer Flat 3/16 Zinc Plat
K1	2		2	Screw-BHS-Brass-10-32x3/8-MS
K1	3		3	Washer EPDM 7/32 X 1/8
	4	805	1	Chain-Cover
	5	905	2	Caster Swivel 4 Gray Non MA
K1	6		2	Nut, Hex Nyl Loc 10-24
K1	7		3	Scr- Hex SS 1/4-20 X .75
K1	8		16	Scr, Hex Hd Loc 1/4-20 x .50
K1	9		3	Wsh, Flt SS .260 X 1.000 X .074
	10	56113012	1	Solution Tank
	11	56113034	2	Hinge Plate
K1		56113103	1	Kit-Hardware Solution Tank

- * Specify the model number and serial number of the machine.
- * Use the space below to record the model number and serial number for future reference.

Model No. _____ Serial No. _____

CHASSIS SYSTEM



CHASSIS SYSTEM

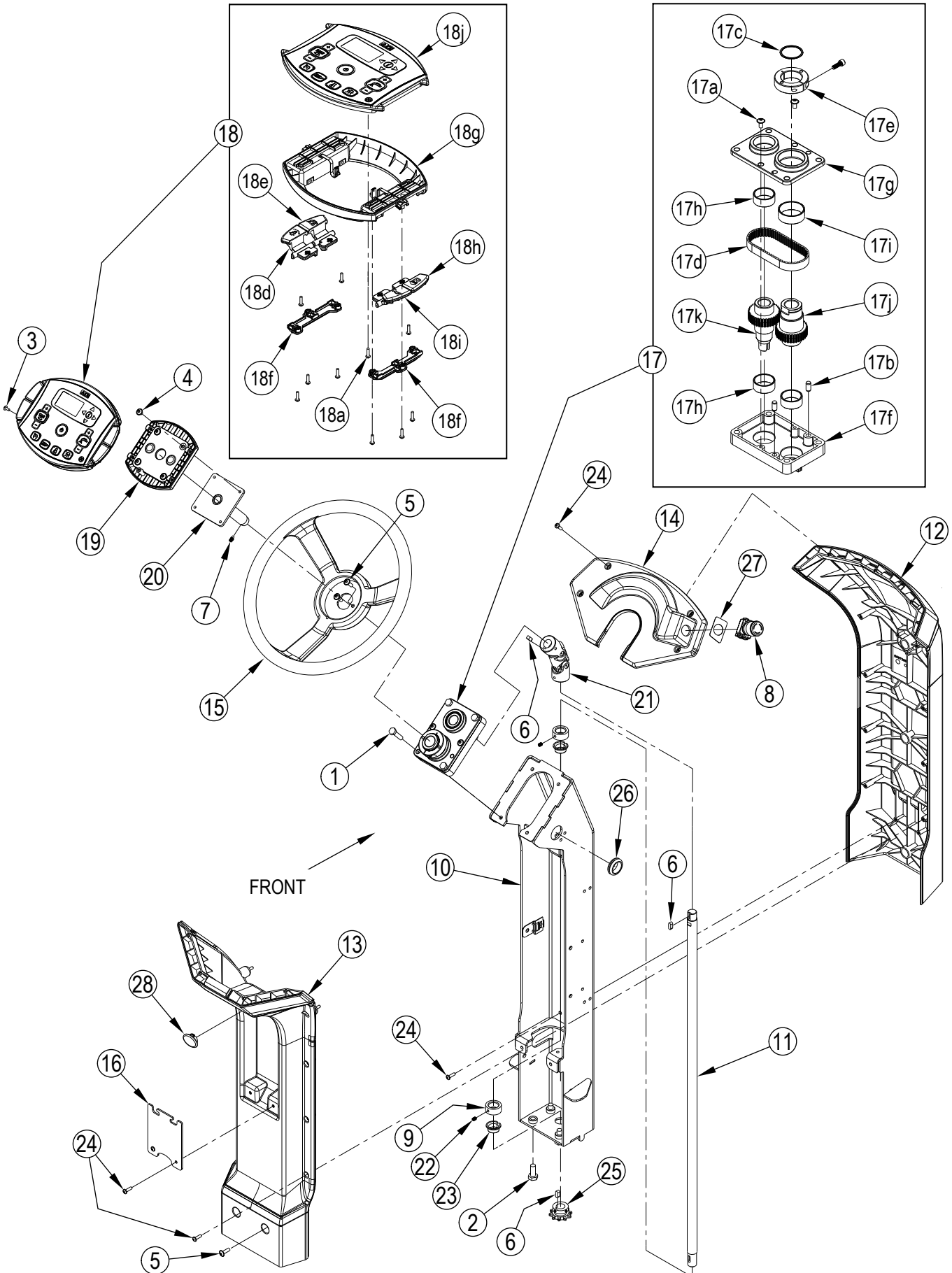
Kit	Item	Ref. No.	Qty	Description
K4	1		3	Rivet, Nylon Tree Push-In (.25)
K2	2		2	Nut, Hex Nyl Loc Ss M12-1.75
K3	3		2	Wsh, Flt Ss 8mm
K1	4		2	Clevis Pin .375 X 2.25
K1	5		2	Pin-Bow-Tie Cot 7/16-1/2x.091
K3	6		1	Scr Hex M8x20 Ss W/Thd Lck
K2	7		2	Scr Hex M12x40 Ss W/Thd Lck
K2	8		2	Bushing-12.5x16x14.48mm
K2	9		2	Bearing-Flange-16x18x6mm
K2	10		1	Squeegee Lift Arm Weldment
K1	11#		1	Actuator-Squeegee (M25)
K4	12		1	Shield-Actuator-Deck
	13	56120240-SP	1	Chassis Weldment
K3	14		1	Strap,Static, 12.5"

Service Kits

K1	56117889	1	Squeegee Actuator Kit
K2	56117890	1	Squeegee Arm Kit
K3	56117891	1	Static Strap Kit
K4	56117833	1	Actuator Shield Kit

= Revised or new since last update

STEERING CONTROL SYSTEM



STEERING CONTROL SYSTEM

Kit	Item	Ref. No.	Qty	Description
	1	56004088	4	Scr Hex M8x35 Ss W/Thd Lck
	2	56004091	4	Scr Hex M10x25 Ss W/Thd Lck
K1	3		4	Scr Trx M4x10 Bk Zc W/Thd Lck
	4	56004099	4	Scr Trx M6x8 Bk Zc W/Thd Lck
	5	56004101	6	Scr Trx M6x20 W/Thd Lck Blk
K3,K4	6		3	Key-Sq 6x6x16-Din 6885a
K6				
K2	7		1	Scr-Soc Set-Dog M6-1x12 Din915
	8	56104247	1	Emergency Disconnect (S21)
K5	9		2	Collar-Shaft-20x32x14mm
	10	56117080-SP	1	Steering Column Weldment
K4	11		1	Shaft-Steering-Lower
	12	56120470-SP	1	Shroud-Steering-Pim-Front
	13	56117386-SP	1	Shroud-Steering-Pim-Back
	14	56117387-SP	1	Shroud-Steering-Pim-Top
	15	56117436-SP	1	Wheel-Steering
	16	56117438-SP	1	Plate-Cover-Shroud
	17	56117705-SP	1	Offset Steering Assy
	17a		2	Scr Trx M6x12 W/Thd Lck Blk
	17b		2	Pin-Dowel-Iso2338-A1-H8-8x16
	17c		1	Ring-Ret-Spiral-Ext-35mm
	17d		1	Belt-Sync-5mm Pitch-300long
	17e		1	Collar-Shaft-M35-Steering
	17f		1	Base-Offset Steering
	17g		1	Cover-Offset Steering
	17h		3	Bearing-Sleeve-32x36x15
	17i		1	Bearing-Sleeve-40x44x16
	17j		1	Sprocket-Steering Wheel
	17k		1	Sprocket-U-Joint

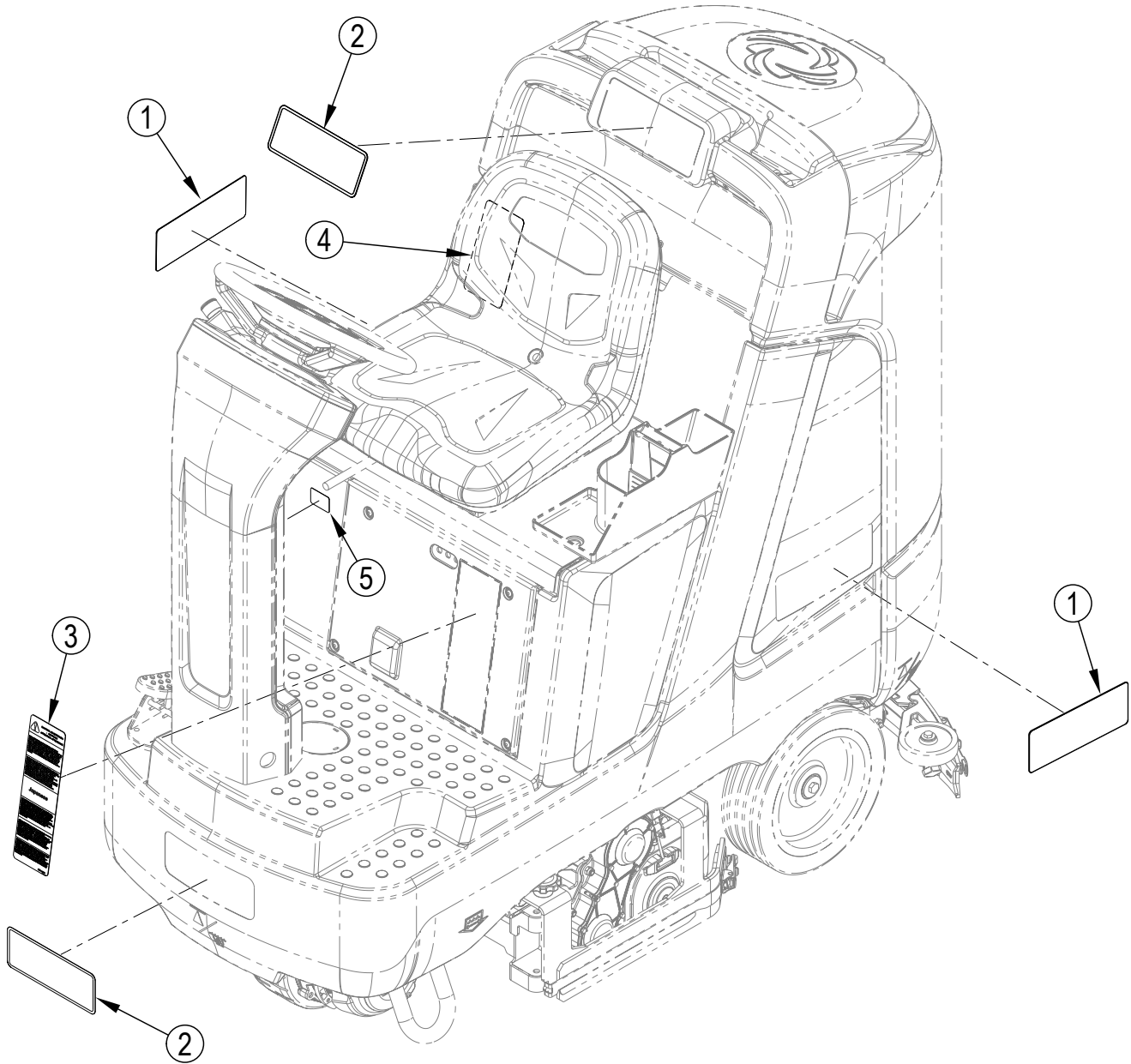
Kit	Item	Ref. No.	Qty	Description
K1	18		1	Interface Assembly (A9)
K1	18a		10	Scr M3.5x14 Trx Plastite
K1	[18b]		1	Bootloader-Interface
K1	[18c]		1	Firmware-Interface
K1	18d		1	Paddle-Boost Of Power
K1	18e		1	Paddle-Solution
K1	18f		2	Retainer-Paddle-Interface
K1	18g		1	Housing Assembly-Padl Membrane
K1	18h		1	Paddle-Reverse
K1	18i		1	Paddle-Horn
K1	18j		1	Display Assembly-Oled
	19	56117716-SP	1	Base-Interface
K2	20		1	Mounting Weldment-Interface
K3	21		1	Ujoint-Double-18mm
K5	22		2	Scr-Soc-Set Cup M6x8 Iso4029
	23	56118192	2	Bearing-Flange-20x23x12-Bronze
	24	302004029	18	Screw Ejot Delta Pt50x18wn1451
K6	25		1	Sprocket-10 Tooth-18mm
	26	56117681-SP	1	Grommet-1.25dogx.19wogx.88id
	27	56117849-SP	1	Decal-Emergency Stop
	28	56120293	1	Cap-USB Holes

[] = Not Shown

Service Kits

K1	56117185	1	Interface Kit
K2	56117924	1	Interface Mount Kit
K3	56117923	1	Universal Joint Kit
K4	56117920	1	Lower Steering Shaft Kit
K5	56117922	1	Shaft Collar Kit
K6	56117921	1	Sprocket Kit

DECAL SYSTEM



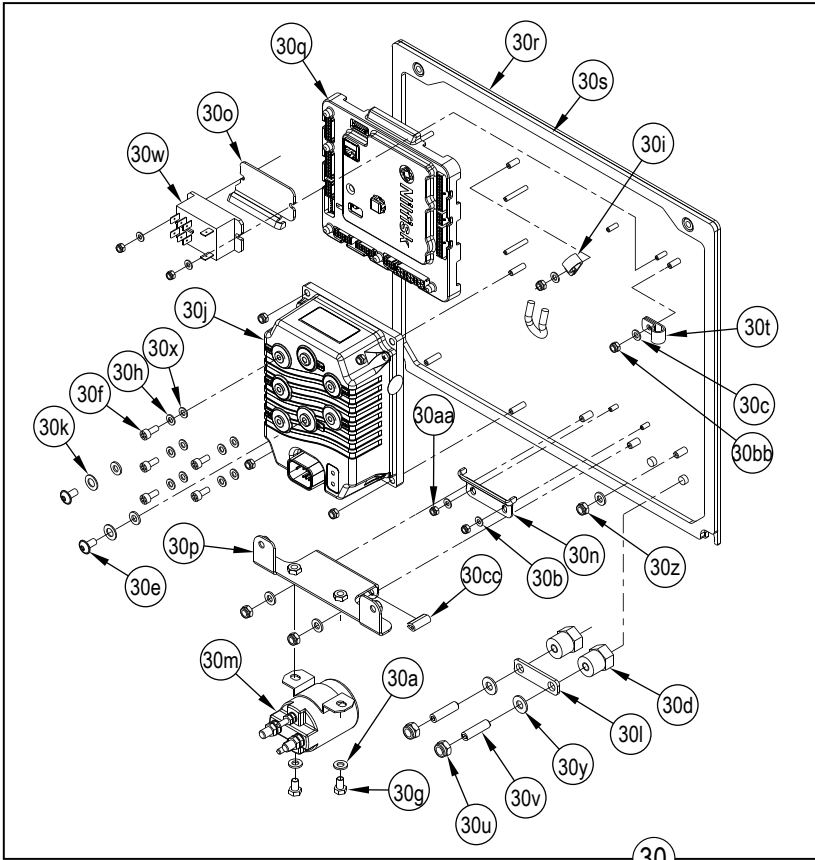
DECAL SYSTEM

Kit	Item	Ref. No.	Qty	Description
	1	56120181	2	Decal-Advance SC4000
	2	1463057000	2	Decal Advance Rectangular 210x83
	3	56014601	1	Decal-Caution
	4#	56120182	1	Decal-Battery
	5	56394259	1	Decal-Prop 65

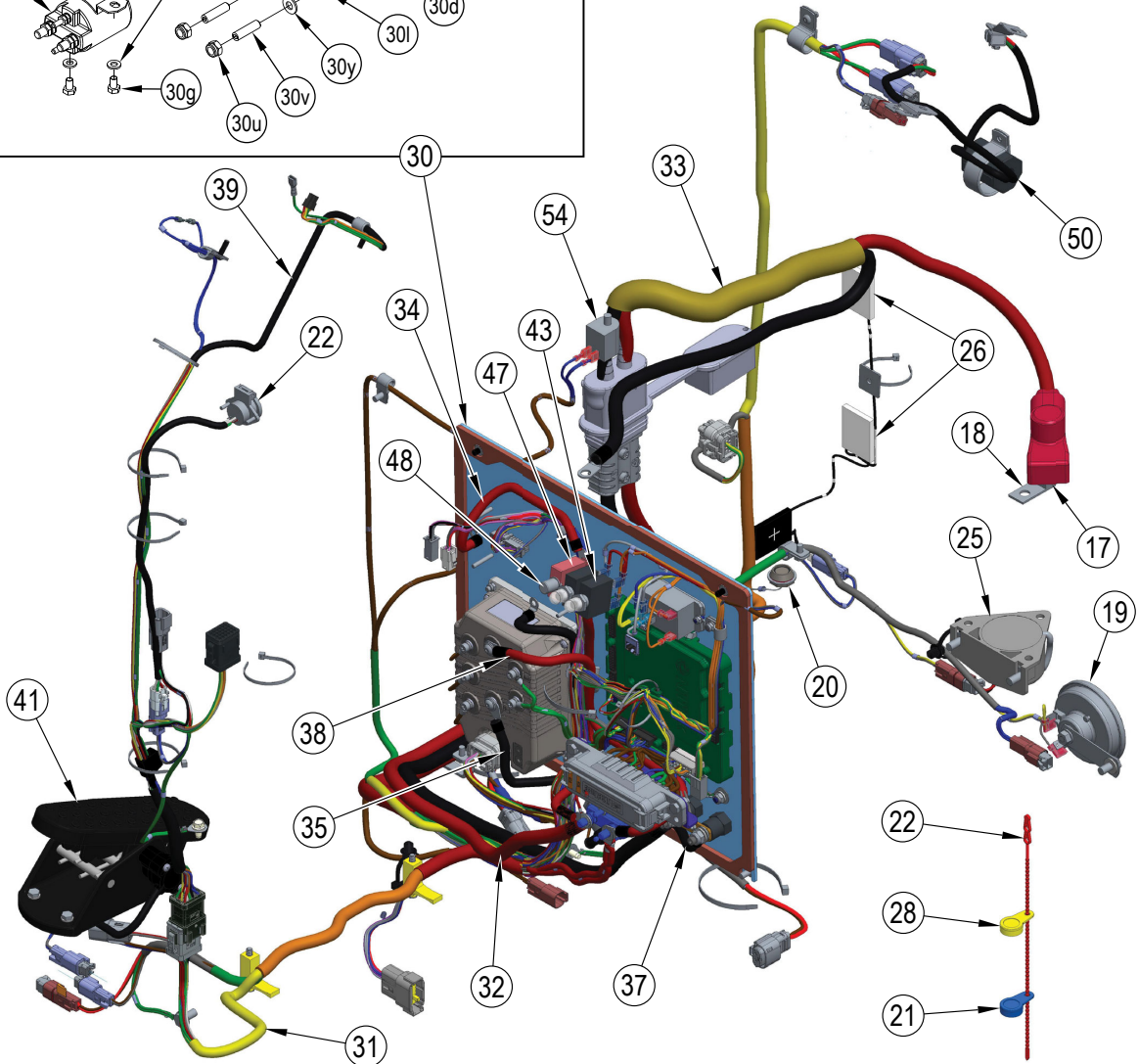
[] = Not Shown

= Revised or new since last update

ELECTRICAL SYSTEM-1



MACHINE HARNESSES



ELECTRICAL SYSTEM-1

Kit	Item	Ref. No.	Qty	Description
	1	1312	1	Mounting Pad
K1	2		3	Washer Plain M6x12.5x1.6 Ss Iso7093
	3#	1467022000	2	Screw Thread Rolling M6x12
	4	9100001351	1	Washer Plain M8x16 Ss Iso7089
	5	56002561	1	Nut, Hex W/ Shprf
	6	56004083	3	Scr Hex M6x12 Ss W/Thd Lck
	7	56004084	3	Scr Hex M6x20 Ss W/Thd Lck
	8	56004100	4	Scr Trx M6x12 W/Thd Lck Blk
	9	56004128	2	Scr Hex M8x16 Ss W/Thd Lck
	10	56004136	2	Scr Hex M6x16 Ss W/Thd Lck
	11	56004148	1	Wshr-28.6odx22.2idx1.5 Blk Nyl
	12	56004152	2	Scr Hex M6x45 Ss W/Thd Lck
	13	56004157	2	Scr Trx M6x16 W/Thd Lck Blk
	14	56004158	2	Scr Trx M6x30 Skt Ss W/Thd Lck
	15	56004160	2	Scr Trx M8x16 W/Thd Lck Blk
	16	56111972	1	Clip-Connector
	17	56115432	1	Fuse-150 Amp (F1)
	18	56115433	1	Holder-Fuse
	19	56116375	1	Horn-36v (H7)
	20	56116477	1	Ibutton-Probe (A17)
	21	56116518	1	Smart Key-User
	22	L08066000	1	Clamp Red
	23	56116611	2	Cable Tie Mount
	24	56117408	1	Harness-Recovery Tank
	25	56117416-SP	1	Alarm-Back-Up-11-100v (H8)
	26	56117427-SP	1	Sensor-Level-Capacitive
	27	56117964	1	Bushing-Flange-20x21x3.5mm
	28	56116519	1	Smart Key-Supervisor
	29	56120194	2	Clamp-Dipped-Electrical
	30		1	Electrical Panel Assembly
	30a	33005875	7	Washer Plain M6x12.5x1.6 Ss Iso7093
	30b#	33023198	4	Washer Plain M4x9 Iso7089
	30c#	33023195	2	Washer Plain M5x10 Iso7089
	30d	33017365	2	Isolator Spacer M8
	30e	56004100	2	Scr Trx M6x12 W/Thd Lck Blk
	30f	56004130	5	Scr Trx M5x12 Skt Ss W/Thd Lck
	30g	56004178	2	Scr Hex M6x10 Ss W/Thd Lck
	30h	56009255	5	Wsh Int Shprf 5mm
	30i	56056903	1	Clamp-P
	30j	56116087	1	Module-High Power (A2)
	30k	56116828	2	Washer Int Lock M6 Din6798j Ss
	30l	56117669	1	Plate-Bus Bar
K1	30m#		1	Contactor-36v (K2)
	30n	56120103	1	Bracket-P32-Bottom
	30o	56120104	1	Bracket-P32-Top
	30p	56120157	1	Fuse Holder Bracket Weldment
K2	30q#		1	P32 Assembly-Msro (A1)
	30r	56120197	1	Panel Assembly-Electrical
	30s	56120198	1	Gasket-Electrical Panel
	30t	56172017	1	Clamp-P
	30u	1450452000	2	Nut Lock Hex M8 Low Ss Iso10511
	30v	9096600000	2	Screw Grub M8x30 Cup Point Ss Iso4029
	30w	40892a	1	Relay Dpdt 36vdc (K1)
	30x	L08241500	5	Washer Plain M5x10 Ss Iso7089
	30y	9100001351	2	Washer Plain M8x16 Ss Iso7089
K1	30z	L08603682	3	Nut Lock Hex M6 Low Ss Iso10511
	30aa	L08603685	4	Nut Lock Hex M4 Low Ss Iso10511
	30bb	L08603688	6	Nut Lock Hex M5 Low Ss Iso10511
	30cc#	1462803000	1	Gasket-Rubber

Kit	Item	Ref. No.	Qty	Description
	31	56120202	1	Main Harness
	32	56120203	1	Cable-Power Machine
	33	56120204	1	Harness-Battery Power
	34	56120206	1	Cable-B+ Drive Module
	35	56120207	1	Cable-B- Power Module
	36	56120208	1	Cable-6ga Red
	37	56120209	1	Cable-B+ Drive Module
	38	56120211	1	Cable-B+ Power Module
	39	56120220	1	Harness-Column
	40	56123173	1	Clip-Connector
	41	56123358	1	Pedal-Uni Direction-Hall (R3)
	42	56314608	2	Clamp, Cable
	43	56315255	2	Circuit Breaker, 5 Amp (CB1, CB3)
	44	56323260	6	Clamp, Hose Support
	45	56394585	1	Clamp-P-1.57 Dia.
	46	56419120	1	Clamp, Hose Support
	47	56454429	1	Circuit Breaker, 70 Amp (CB2)
	48	56459369	1	Boot, Reset Button
	49	56486112	1	Clamp-P
	50	56601686	1	Ferrite Bead
	51#	302004029	2	Screw Ejoy Delta Pt50x18wn1451
	52#	1466344000	3	Tie Cable 4.8x200 Black
	53#	1467025000	7	Tie Cable 2.9x130 Black
	54	7-82-00050	1	Switch Seat (S22)

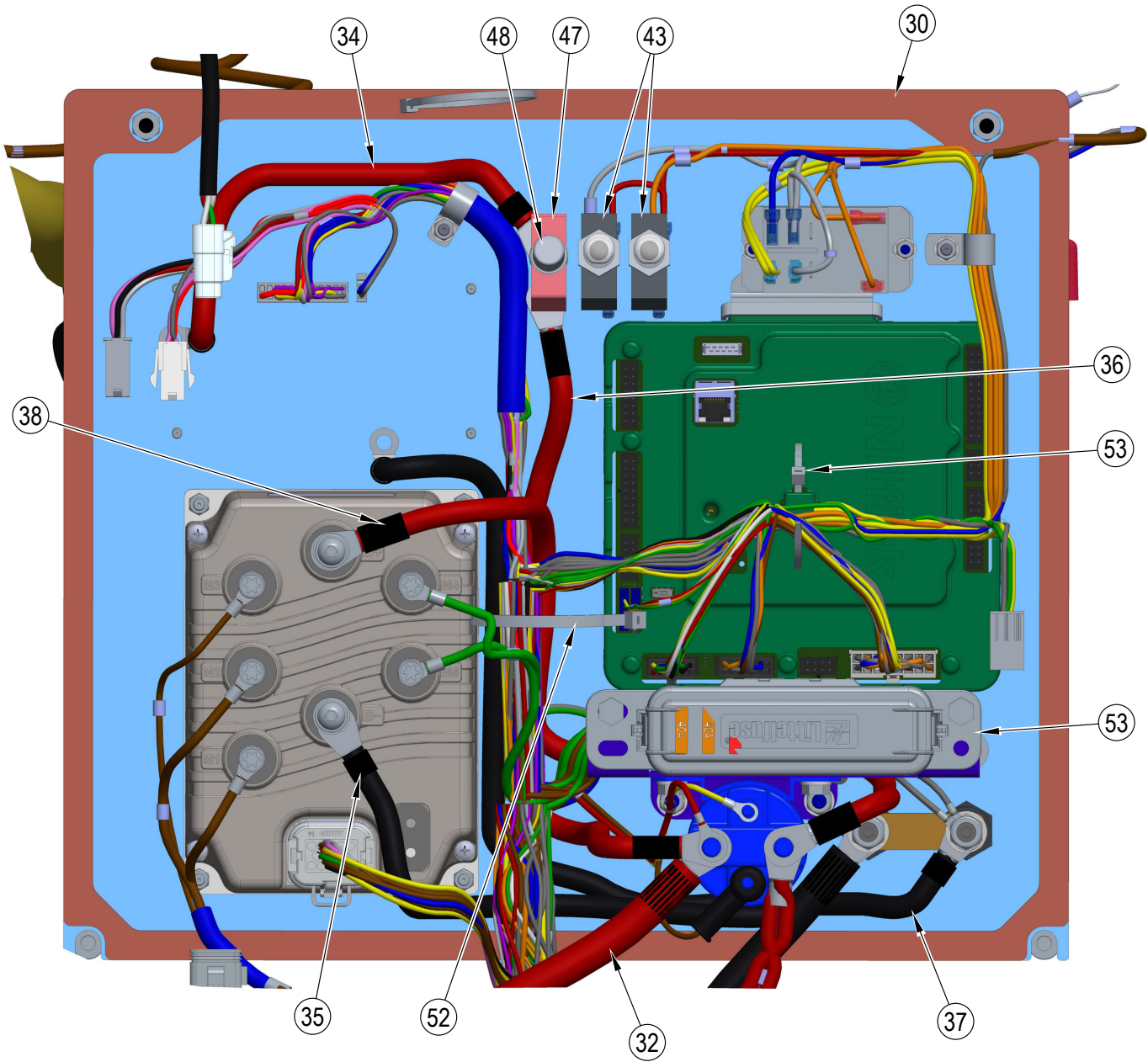
Service Kits

K1	56117835	1	36v Contactor Kit
K2#	56120488	1	Controller Kit

[] = Not Shown

= Revised or new since last update

ELECTRICAL SYSTEM-2



ELECTRICAL SYSTEM-2

Kit	Item	Ref. No.	Qty	Description	Kit	Item	Ref. No.	Qty	Description
	1	1312	1	Mounting Pad		31	56120202	1	Main Harness
K1	2		3	Washer Plain M6x12.5x1.6 Ss Iso7093		32	56120203	1	Cable-Power Machine
	3#	1467022000	2	Screw Thread Rolling M6x12		33	56120204	1	Harness-Battery Power
	4	9100001351	1	Washer Plain M8x16 Ss Iso7089		34	56120206	1	Cable-B+ Drive Module
	5	56002561	1	Nut, Hex W/ Shprf		35	56120207	1	Cable-B- Power Module
	6	56004083	3	Scr Hex M6x12 Ss W/Thd Lck		36	56120208	1	Cable-6ga Red
	7	56004084	3	Scr Hex M6x20 Ss W/Thd Lck		37	56120209	1	Cable-B- Drive Module
	8	56004100	4	Scr Trx M6x12 W/Thd Lck Blk		38	56120211	1	Cable-B+ Power Module
	9	56004128	2	Scr Hex M8x16 Ss W/Thd Lck		39	56120220	1	Harness-Column
	10	56004136	2	Scr Hex M6x16 Ss W/Thd Lck		40	56123173	1	Clip-Connector
	11	56004148	1	Wshr-28.6odx22.2idx1.5 Blk Nyl		41	56123358	1	Pedal-Uni Direction-Hall (R3)
	12	56004152	2	Scr Hex M6x45 Ss W/Thd Lck		42	56314608	2	Clamp, Cable
	13	56004157	2	Scr Trx M6x16 W/Thd Lck Blk		43	56315255	2	Circuit Breaker, 5 Amp (CB1, CB3)
	14	56004158	2	Scr Trx M6x30 Skt Ss W/Thd Lck		44	56323260	6	Clamp, Hose Support
	15	56004160	2	Scr Trx M8x16 W/Thd Lck Blk		45	56394585	1	Clamp-P-1.57 Dia.
	16	56111972	1	Clip-Connector		46	56419120	1	Clamp, Hose Support
	17	56115432	1	Fuse-150 Amp (F1)		47	56454429	1	Circuit Breaker, 70 Amp (CB2)
	18	56115433	1	Holder-Fuse		48	56459369	1	Boot, Reset Button
	19	56116375	1	Horn-36v (H7)		49	56486112	1	Clamp-P
	20	56116477	1	Ibutton-Probe (A17)		50	56601686	1	Ferrite Bead
	21	56116518	1	Smart Key-User		51#	302004029	2	Screw Ejot Delta Pt50x18wn1451
	22	L08066000	1	Clamp Red		52#	1466344000	3	Tie Cable 4.8x200 Black
	23	56116611	2	Cable Tie Mount		53#	1467025000	7	Tie Cable 2.9x130 Black
	24	56117408	1	Harness-Recovery Tank		54	7-82-00050	1	Switch Seat (S22)
	25	56117416-SP	1	Alarm-Back-Up-11-100v (H8)					
	26	56117427-SP	1	Sensor-Level-Capacitive					
	27	56117964	1	Bushing-Flange-20x21x3.5mm					
	28	56116519	1	Smart Key-Supervisor					
	29	56120194	2	Clamp-Dipped-Electrical					
	30		1	Electrical Panel Assembly					
	30a	33005875	7	Washer Plain M6x12.5x1.6 Ss Iso7093					
	30b#	33023198	4	Washer Plain M4x9 Iso7089					
	30c#	33023195	2	Washer Plain M5x10 Iso7089					
	30d	33017365	2	Isolator Spacer M8					
	30e	56004100	2	Scr Trx M6x12 W/Thd Lck Blk					
	30f	56004130	5	Scr Trx M5x12 Skt Ss W/Thd Lck					
	30g	56004178	2	Scr Hex M6x10 Ss W/Thd Lck					
	30h	56009255	5	Wsh Int Shprf 5mm					
	30i	56056903	1	Clamp-P					
	30j	56116087	1	Module-High Power (A2)					
	30k	56116828	2	Washer Int Lock M6 Din6798j Ss					
	30l	56117669	1	Plate-Bus Bar					
K1	30m#		1	Contact-36v (K2)					
	30n	56120103	1	Bracket-P32-Bottom					
	30o	56120104	1	Bracket-P32-Top					
	30p	56120157	1	Fuse Holder Bracket Weldment					
K2	30q#		1	P32 Assembly-MSRO (A1)					
	30r	56120197	1	Panel Assembly-Electrical					
	30s	56120198	1	Gasket-Electrical Panel					
	30t	56172017	1	Clamp-P					
	30u	1450452000	2	Nut Lock Hex M8 Low Ss Iso10511					
	30v	9096600000	2	Screw Grub M8x30 Cup Point Ss Iso4029					
	30w	40892a	1	Relay Dpdt 36vdc (K1)					
	30x	L08241500	5	Washer Plain M5x10 Ss Iso7089					
	30y	9100001351	2	Washer Plain M8x16 Ss Iso7089					
K1	30z	L08603682	3	Nut Lock Hex M6 Low Ss Iso10511					
	30aa	L08603685	4	Nut Lock Hex M4 Low Ss Iso10511					
	30bb	L08603688	6	Nut Lock Hex M5 Low Ss Iso10511					
	30cc#	1462803000	1	Gasket-Rubber					

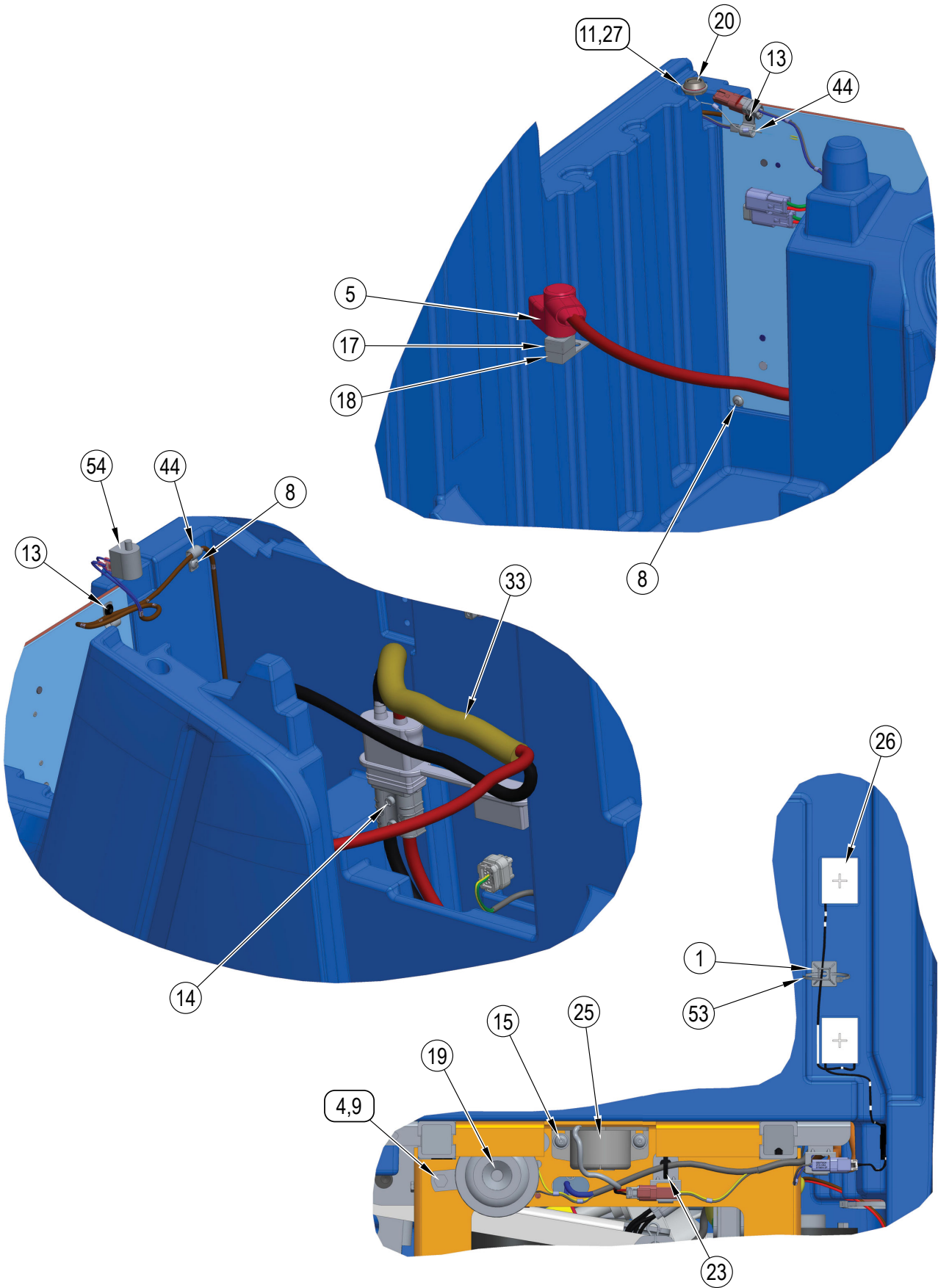
Service Kits

K1	56117835	1	36v Contactor Kit
K2#	56120488	1	Controller Kit

[] = Not Shown

= Revised or new since last update

ELECTRICAL SYSTEM-3



ELECTRICAL SYSTEM-3

Kit	Item	Ref. No.	Qty	Description
	1	1312	1	Mounting Pad
K1	2		3	Washer Plain M6x12.5x1.6 Ss Iso7093
	3#	1467022000	2	Screw Thread Rolling M6x12
	4	9100001351	1	Washer Plain M8x16 Ss Iso7089
	5	56002561	1	Nut, Hex W/ Shprf
	6	56004083	3	Scr Hex M6x12 Ss W/Thd Lck
	7	56004084	3	Scr Hex M6x20 Ss W/Thd Lck
	8	56004100	4	Scr Trx M6x12 W/Thd Lck Blk
	9	56004128	2	Scr Hex M8x16 Ss W/Thd Lck
	10	56004136	2	Scr Hex M6x16 Ss W/Thd Lck
	11	56004148	1	Wshr-28.6odx22.2idx1.5 Blk Nyl
	12	56004152	2	Scr Hex M6x45 Ss W/Thd Lck
	13	56004157	2	Scr Trx M6x16 W/Thd Lck Blk
	14	56004158	2	Scr Trx M6x30 Skt Ss W/Thd Lck
	15	56004160	2	Scr Trx M8x16 W/Thd Lck Blk
	16	56111972	1	Clip-Connector
	17	56115432	1	Fuse-150 Amp (F1)
	18	56115433	1	Holder-Fuse
	19	56116375	1	Horn-36v (H7)
	20	56116477	1	Ibutton-Probe (A17)
	21	56116518	1	Smart Key-User
	22	L08066000	1	Clamp Red
	23	56116611	2	Cable Tie Mount
	24	56117408	1	Harness-Recovery Tank
	25	56117416-SP	1	Alarm-Back-Up-11-100v (H8)
	26	56117427-SP	1	Sensor-Level-Capacitive
	27	56117964	1	Bushing-Flange-20x21x3.5mm
	28	56116519	1	Smart Key-Supervisor
	29	56120194	2	Clamp-Dipped-Electrical
	30		1	Electrical Panel Assembly
	30a	33005875	7	Washer Plain M6x12.5x1.6 Ss Iso7093
	30b#	33023198	4	Washer Plain M4x9 Iso7089
	30c#	33023195	2	Washer Plain M5x10 Iso7089
	30d	33017365	2	Isolator Spacer M8
	30e	56004100	2	Scr Trx M6x12 W/Thd Lck Blk
	30f	56004130	5	Scr Trx M5x12 Skt Ss W/Thd Lck
	30g	56004178	2	Scr Hex M6x10 Ss W/Thd Lck
	30h	56009255	5	Wsh Int Shprf 5mm
	30i	56056903	1	Clamp-P
	30j	56116087	1	Module-High Power (A2)
	30k	56116828	2	Washer Int Lock M6 Din6798j Ss
	30l	56117669	1	Plate-Bus Bar
K1	30m#		1	Contactor-36v (K2)
	30n	56120103	1	Bracket-P32-Bottom
	30o	56120104	1	Bracket-P32-Top
	30p	56120157	1	Fuse Holder Bracket Weldment
K2	30q#		1	P32 Assembly-MSRO (A1)
	30r	56120197	1	Panel Assembly-Electrical
	30s	56120198	1	Gasket-Electrical Panel
	30t	56172017	1	Clamp-P
	30u	1450452000	2	Nut Lock Hex M8 Low Ss Iso10511
	30v	9096600000	2	Screw Grub M8x30 Cup Point Ss Iso4029
	30w	40892a	1	Relay Dpdt 36vdc (K1)
	30x	L08241500	5	Washer Plain M5x10 Ss Iso7089
	30y	9100001351	2	Washer Plain M8x16 Ss Iso7089
K1	30z	L08603682	3	Nut Lock Hex M6 Low Ss Iso10511
	30aa	L08603685	4	Nut Lock Hex M4 Low Ss Iso10511
	30bb	L08603688	6	Nut Lock Hex M5 Low Ss Iso10511
	30cc#	1462803000	1	Gasket-Rubber

Kit	Item	Ref. No.	Qty	Description
	31	56120202	1	Main Harness
	32	56120203	1	Cable-Power Machine
	33	56120204	1	Harness-Battery Power
	34	56120206	1	Cable-B+ Drive Module
	35	56120207	1	Cable-B- Power Module
	36	56120208	1	Cable-6ga Red
	37	56120209	1	Cable-B- Drive Module
	38	56120211	1	Cable-B+ Power Module
	39	56120220	1	Harness-Column
	40	56123173	1	Clip-Connector
	41	56123358	1	Pedal-Uni Direction-Hall (R3)
	42	56314608	2	Clamp, Cable
	43	56315255	2	Circuit Breaker, 5 Amp (CB1, CB3)
	44	56323260	6	Clamp, Hose Support
	45	56394585	1	Clamp-P-1.57 Dia.
	46	56419120	1	Clamp, Hose Support
	47	56454429	1	Circuit Breaker, 70 Amp (CB2)
	48	56459369	1	Boot, Reset Button
	49	56486112	1	Clamp-P
	50	56601686	1	Ferrite Bead
	51#	302004029	2	Screw Eject Delta Pt50x18wn1451
	52#	1466344000	3	Tie Cable 4.8x200 Black
	53#	1467025000	7	Tie Cable 2.9x130 Black
	54	7-82-00050	1	Switch Seat (S22)

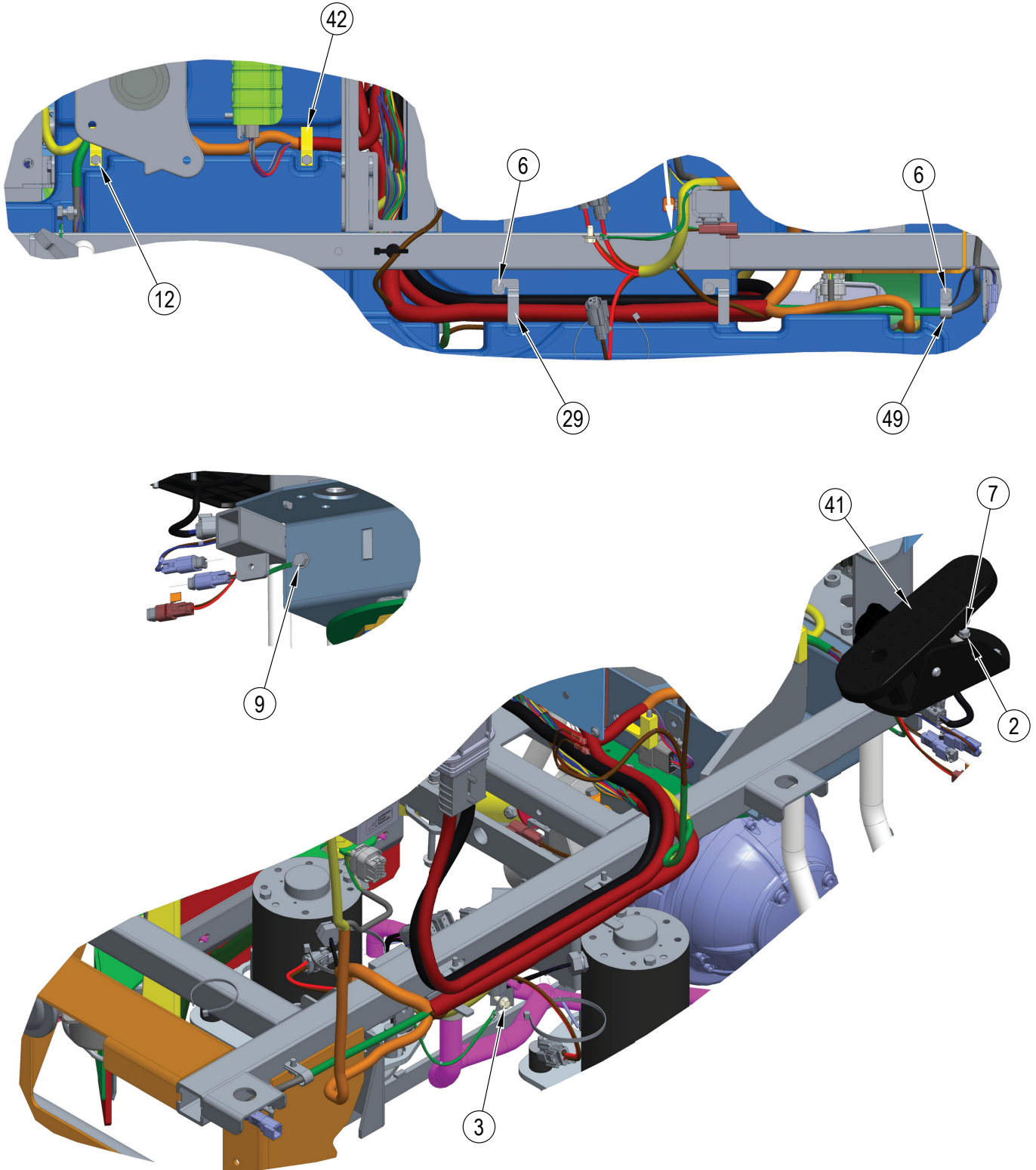
Service Kits

K1	56117835	1	36v Contactor Kit
K2#	56120488	1	Controller Kit

[] = Not Shown

= Revised or new since last update

ELECTRICAL SYSTEM-4



ELECTRICAL SYSTEM-4

Kit	Item	Ref. No.	Qty	Description
	1	1312	1	Mounting Pad
K1	2		3	Washer Plain M6x12.5x1.6 Ss Iso7093
	3#	1467022000	2	Screw Thread Rolling M6x12
	4	9100001351	1	Washer Plain M8x16 Ss Iso7089
	5	56002561	1	Nut, Hex W/ Shprf
	6	56004083	3	Scr Hex M6x12 Ss W/Thd Lck
	7	56004084	3	Scr Hex M6x20 Ss W/Thd Lck
	8	56004100	4	Scr Trx M6x12 W/Thd Lck Blk
	9	56004128	2	Scr Hex M8x16 Ss W/Thd Lck
	10	56004136	2	Scr Hex M6x16 Ss W/Thd Lck
	11	56004148	1	Wshr-28.6odx22.2idx1.5 Blk Nyl
	12	56004152	2	Scr Hex M6x45 Ss W/Thd Lck
	13	56004157	2	Scr Trx M6x16 W/Thd Lck Blk
	14	56004158	2	Scr Trx M6x30 Skt Ss W/Thd Lck
	15	56004160	2	Scr Trx M8x16 W/Thd Lck Blk
	16	56111972	1	Clip-Connector
	17	56115432	1	Fuse-150 Amp (F1)
	18	56115433	1	Holder-Fuse
	19	56116375	1	Horn-36v (H7)
	20	56116477	1	Ibutton-Probe (A17)
	21	56116518	1	Smart Key-User
	22	L08066000	1	Clamp Red
	23	56116611	2	Cable Tie Mount
	24	56117408	1	Harness-Recovery Tank
	25	56117416-SP	1	Alarm-Back-Up-11-100v (H8)
	26	56117427-SP	1	Sensor-Level-Capacitive
	27	56117964	1	Bushing-Flange-20x21x3.5mm
	28	56116519	1	Smart Key-Supervisor
	29	56120194	2	Clamp-Dipped-Electrical
	30		1	Electrical Panel Assembly
	30a	33005875	7	Washer Plain M6x12.5x1.6 Ss Iso7093
	30b#	33023198	4	Washer Plain M4x9 Iso7089
	30c#	33023195	2	Washer Plain M5x10 Iso7089
	30d	33017365	2	Isolator Spacer M8
	30e	56004100	2	Scr Trx M6x12 W/Thd Lck Blk
	30f	56004130	5	Scr Trx M5x12 Skt Ss W/Thd Lck
	30g	56004178	2	Scr Hex M6x10 Ss W/Thd Lck
	30h	56009255	5	Wsh Int Shprf 5mm
	30i	56056903	1	Clamp-P
	30j	56116087	1	Module-High Power (A2)
	30k	56116828	2	Washer Int Lock M6 Din6798j Ss
	30l	56117669	1	Plate-Bus Bar
K1	30m#		1	Contactor-36v (K2)
	30n	56120103	1	Bracket-P32-Bottom
	30o	56120104	1	Bracket-P32-Top
	30p	56120157	1	Fuse Holder Bracket Weldment
K2	30q#		1	P32 Assembly-MSRO (A1)
	30r	56120197	1	Panel Assembly-Electrical
	30s	56120198	1	Gasket-Electrical Panel
	30t	56172017	1	Clamp-P
	30u	1450452000	2	Nut Lock Hex M8 Low Ss Iso10511
	30v	9096600000	2	Screw Grub M8x30 Cup Point Ss Iso4029
	30w	40892a	1	Relay Dpdt 36vdc (K1)
	30x	L08241500	5	Washer Plain M5x10 Ss Iso7089
	30y	9100001351	2	Washer Plain M8x16 Ss Iso7089
K1	30z	L08603682	3	Nut Lock Hex M6 Low Ss Iso10511
	30aa	L08603685	4	Nut Lock Hex M4 Low Ss Iso10511
	30bb	L08603688	6	Nut Lock Hex M5 Low Ss Iso10511
	30cc#	1462803000	1	Gasket-Rubber

Kit	Item	Ref. No.	Qty	Description
	31	56120202	1	Main Harness
	32	56120203	1	Cable-Power Machine
	33	56120204	1	Harness-Battery Power
	34	56120206	1	Cable-B+ Drive Module
	35	56120207	1	Cable-B- Power Module
	36	56120208	1	Cable-6ga Red
	37	56120209	1	Cable-B- Drive Module
	38	56120211	1	Cable-B+ Power Module
	39	56120220	1	Harness-Column
	40	56123173	1	Clip-Connector
	41	56123358	1	Pedal-Uni Direction-Hall (R3)
	42	56314608	2	Clamp, Cable
	43	56315255	2	Circuit Breaker, 5 Amp (CB1, CB3)
	44	56323260	6	Clamp, Hose Support
	45	56394585	1	Clamp-P-1.57 Dia.
	46	56419120	1	Clamp, Hose Support
	47	56454429	1	Circuit Breaker, 70 Amp (CB2)
	48	56459369	1	Boot, Reset Button
	49	56486112	1	Clamp-P
	50	56601686	1	Ferrite Bead
	51#	302004029	2	Screw Eجت Delta Pt50x18wn1451
	52#	1466344000	3	Tie Cable 4.8x200 Black
	53#	1467025000	7	Tie Cable 2.9x130 Black
	54	7-82-00050	1	Switch Seat (S22)

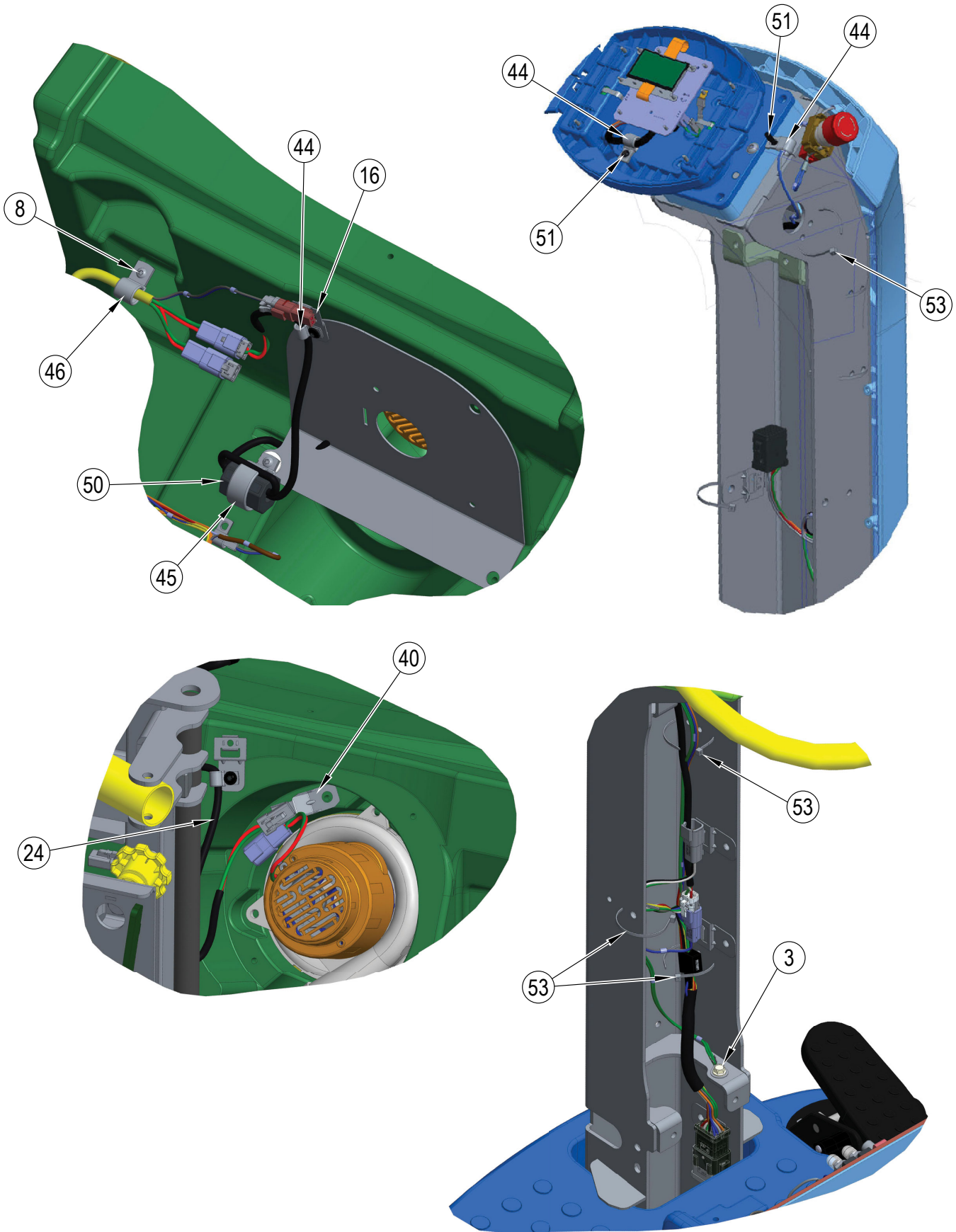
Service Kits

K1	56117835	1	36v Contactor Kit
K2#	56120488	1	Controller Kit

[] = Not Shown

= Revised or new since last update

ELECTRICAL SYSTEM-5



ELECTRICAL SYSTEM-5

Kit	Item	Ref. No.	Qty	Description
	1	1312	1	Mounting Pad
K1	2		3	Washer Plain M6x12.5x1.6 Ss Iso7093
	3#	1467022000	2	Screw Thread Rolling M6x12
	4	9100001351	1	Washer Plain M8x16 Ss Iso7089
	5	56002561	1	Nut, Hex W/ Shprf
	6	56004083	3	Scr Hex M6x12 Ss W/Thd Lck
	7	56004084	3	Scr Hex M6x20 Ss W/Thd Lck
	8	56004100	4	Scr Trx M6x12 W/Thd Lck Blk
	9	56004128	2	Scr Hex M8x16 Ss W/Thd Lck
	10	56004136	2	Scr Hex M6x16 Ss W/Thd Lck
	11	56004148	1	Wshr-28.6odx22.2idx1.5 Blk Nyl
	12	56004152	2	Scr Hex M6x45 Ss W/Thd Lck
	13	56004157	2	Scr Trx M6x16 W/Thd Lck Blk
	14	56004158	2	Scr Trx M6x30 Skt Ss W/Thd Lck
	15	56004160	2	Scr Trx M8x16 W/Thd Lck Blk
	16	56111972	1	Clip-Connector
	17	56115432	1	Fuse-150 Amp (F1)
	18	56115433	1	Holder-Fuse
	19	56116375	1	Horn-36v (H7)
	20	56116477	1	Ibutton-Probe (A17)
	21	56116518	1	Smart Key-User
	22	L08066000	1	Clamp Red
	23	56116611	2	Cable Tie Mount
	24	56117408	1	Harness-Recovery Tank
	25	56117416-SP	1	Alarm-Back-Up-11-100v (H8)
	26	56117427-SP	1	Sensor-Level-Capacitive
	27	56117964	1	Bushing-Flange-20x21x3.5mm
	28	56116519	1	Smart Key-Supervisor
	29	56120194	2	Clamp-Dipped-Electrical
	30		1	Electrical Panel Assembly
	30a	33005875	7	Washer Plain M6x12.5x1.6 Ss Iso7093
	30b#	33023198	4	Washer Plain M4x9 Iso7089
	30c#	33023195	2	Washer Plain M5x10 Iso7089
	30d	33017365	2	Isolator Spacer M8
	30e	56004100	2	Scr Trx M6x12 W/Thd Lck Blk
	30f	56004130	5	Scr Trx M5x12 Skt Ss W/Thd Lck
	30g	56004178	2	Scr Hex M6x10 Ss W/Thd Lck
	30h	56009255	5	Wsh Int Shprf 5mm
	30i	56056903	1	Clamp-P
	30j	56116087	1	Module-High Power (A2)
	30k	56116828	2	Washer Int Lock M6 Din6798j Ss
	30l	56117669	1	Plate-Bus Bar
K1	30m#		1	Contactor-36v (K2)
	30n	56120103	1	Bracket-P32-Bottom
	30o	56120104	1	Bracket-P32-Top
	30p	56120157	1	Fuse Holder Bracket Weldment
K2	30q#		1	P32 Assembly-MSRO (A1)
	30r	56120197	1	Panel Assembly-Electrical
	30s	56120198	1	Gasket-Electrical Panel
	30t	56172017	1	Clamp-P
	30u	1450452000	2	Nut Lock Hex M8 Low Ss Iso10511
	30v	9096600000	2	Screw Grub M8x30 Cup Point Ss Iso4029
	30w	40892a	1	Relay Dpdt 36vdc (K1)
	30x	L08241500	5	Washer Plain M5x10 Ss Iso7089
	30y	9100001351	2	Washer Plain M8x16 Ss Iso7089
K1	30z	L08603682	3	Nut Lock Hex M6 Low Ss Iso10511
	30aa	L08603685	4	Nut Lock Hex M4 Low Ss Iso10511
	30bb	L08603688	6	Nut Lock Hex M5 Low Ss Iso10511
	30cc#	1462803000	1	Gasket-Rubber

Kit	Item	Ref. No.	Qty	Description
	31	56120202	1	Main Harness
	32	56120203	1	Cable-Power Machine
	33	56120204	1	Harness-Battery Power
	34	56120206	1	Cable-B+ Drive Module
	35	56120207	1	Cable-B- Power Module
	36	56120208	1	Cable-6ga Red
	37	56120209	1	Cable-B- Drive Module
	38	56120211	1	Cable-B+ Power Module
	39	56120220	1	Harness-Column
	40	56123173	1	Clip-Connector
	41	56123358	1	Pedal-Uni Direction-Hall (R3)
	42	56314608	2	Clamp, Cable
	43	56315255	2	Circuit Breaker, 5 Amp (CB1, CB3)
	44	56323260	6	Clamp, Hose Support
	45	56394585	1	Clamp-P-1.57 Dia.
	46	56419120	1	Clamp, Hose Support
	47	56454429	1	Circuit Breaker, 70 Amp (CB2)
	48	56459369	1	Boot, Reset Button
	49	56486112	1	Clamp-P
	50	56601686	1	Ferrite Bead
	51#	302004029	2	Screw Eجت Delta Pt50x18wn1451
	52#	1466344000	3	Tie Cable 4.8x200 Black
	53#	1467025000	7	Tie Cable 2.9x130 Black
	54	7-82-00050	1	Switch Seat (S22)

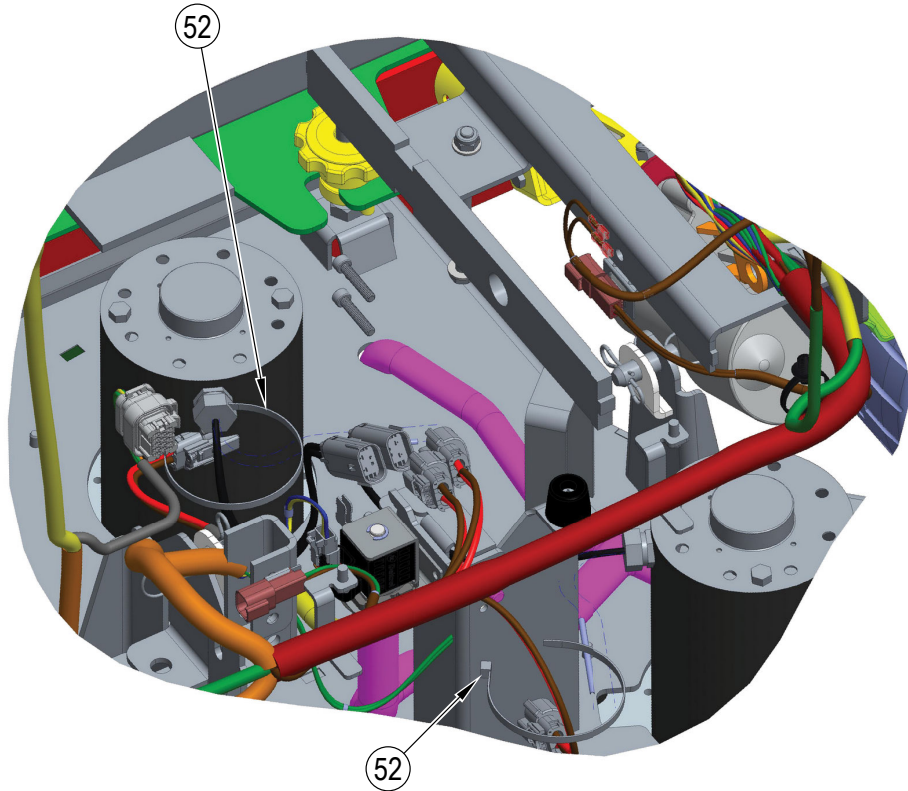
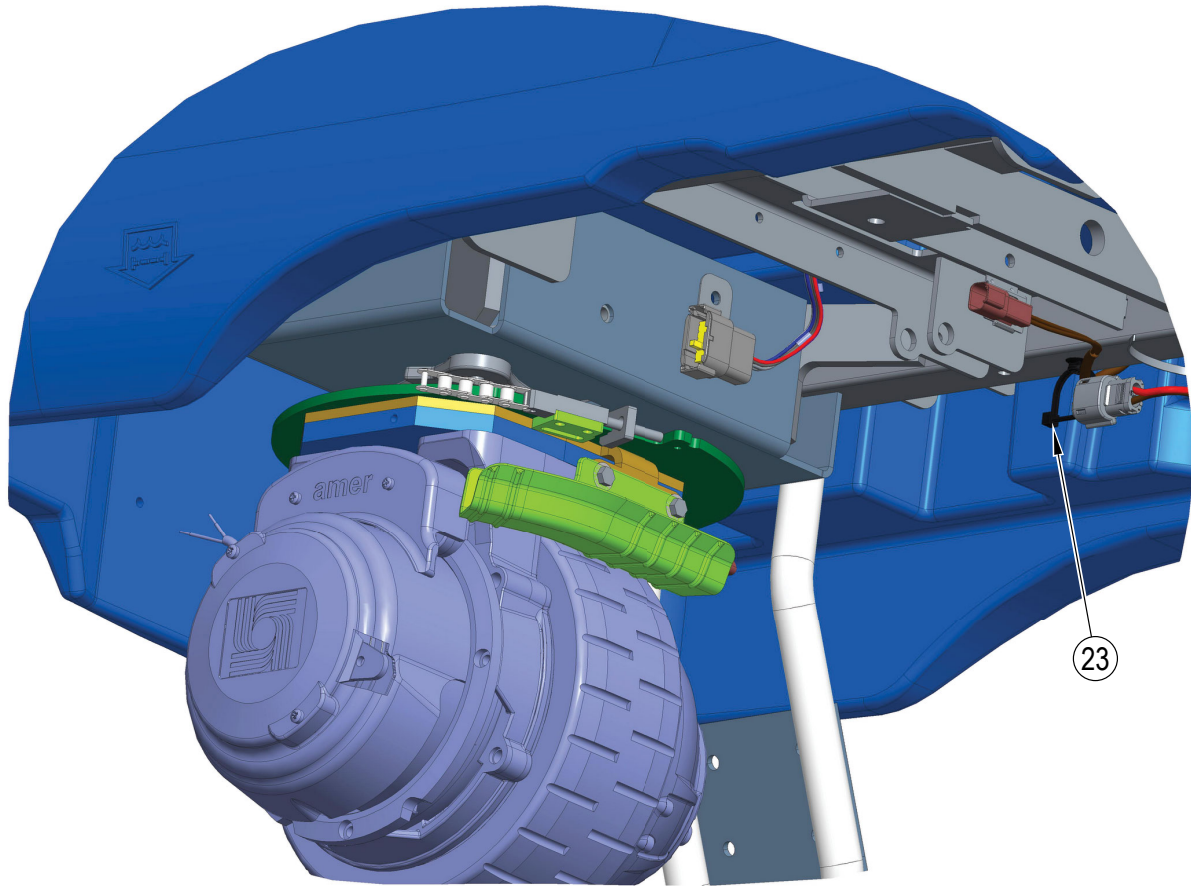
Service Kits

K1	56117835	1	36v Contactor Kit
K2#	56120488	1	Controller Kit

[] = Not Shown

= Revised or new since last update

ELECTRICAL SYSTEM-6



ELECTRICAL SYSTEM-6

Kit	Item	Ref. No.	Qty	Description
	1	1312	1	Mounting Pad
K1	2		3	Washer Plain M6x12.5x1.6 Ss Iso7093
	3#	1467022000	2	Screw Thread Rolling M6x12
	4	9100001351	1	Washer Plain M8x16 Ss Iso7089
	5	56002561	1	Nut, Hex W/ Shprf
	6	56004083	3	Scr Hex M6x12 Ss W/Thd Lck
	7	56004084	3	Scr Hex M6x20 Ss W/Thd Lck
	8	56004100	4	Scr Trx M6x12 W/Thd Lck Blk
	9	56004128	2	Scr Hex M8x16 Ss W/Thd Lck
	10	56004136	2	Scr Hex M6x16 Ss W/Thd Lck
	11	56004148	1	Wshr-28.6odx22.2idx1.5 Blk Nyl
	12	56004152	2	Scr Hex M6x45 Ss W/Thd Lck
	13	56004157	2	Scr Trx M6x16 W/Thd Lck Blk
	14	56004158	2	Scr Trx M6x30 Skt Ss W/Thd Lck
	15	56004160	2	Scr Trx M8x16 W/Thd Lck Blk
	16	56111972	1	Clip-Connector
	17	56115432	1	Fuse-150 Amp (F1)
	18	56115433	1	Holder-Fuse
	19	56116375	1	Horn-36v (H7)
	20	56116477	1	Ibutton-Probe (A17)
	21	56116518	1	Smart Key-User
	22	L08066000	1	Clamp Red
	23	56116611	2	Cable Tie Mount
	24	56117408	1	Harness-Recovery Tank
	25	56117416-SP	1	Alarm-Back-Up-11-100v (H8)
	26	56117427-SP	1	Sensor-Level-Capacitive
	27	56117964	1	Bushing-Flange-20x21x3.5mm
	28	56116519	1	Smart Key-Supervisor
	29	56120194	2	Clamp-Dipped-Electrical
	30		1	Electrical Panel Assembly
	30a	33005875	7	Washer Plain M6x12.5x1.6 Ss Iso7093
	30b#	33023198	4	Washer Plain M4x9 Iso7089
	30c#	33023195	2	Washer Plain M5x10 Iso7089
	30d	33017365	2	Isolator Spacer M8
	30e	56004100	2	Scr Trx M6x12 W/Thd Lck Blk
	30f	56004130	5	Scr Trx M5x12 Skt Ss W/Thd Lck
	30g	56004178	2	Scr Hex M6x10 Ss W/Thd Lck
	30h	56009255	5	Wsh Int Shprf 5mm
	30i	56056903	1	Clamp-P
	30j	56116087	1	Module-High Power (A2)
	30k	56116828	2	Washer Int Lock M6 Din6798j Ss
	30l	56117669	1	Plate-Bus Bar
K1	30m#		1	Contactor-36v (K2)
	30n	56120103	1	Bracket-P32-Bottom
	30o	56120104	1	Bracket-P32-Top
	30p	56120157	1	Fuse Holder Bracket Weldment
K2	30q#		1	P32 Assembly-MSRO (A1)
	30r	56120197	1	Panel Assembly-Electrical
	30s	56120198	1	Gasket-Electrical Panel
	30t	56172017	1	Clamp-P
	30u	1450452000	2	Nut Lock Hex M8 Low Ss Iso10511
	30v	9096600000	2	Screw Grub M8x30 Cup Point Ss Iso4029
	30w	40892a	1	Relay Dpdt 36vdc (K1)
	30x	L08241500	5	Washer Plain M5x10 Ss Iso7089
	30y	9100001351	2	Washer Plain M8x16 Ss Iso7089
K1	30z	L08603682	3	Nut Lock Hex M6 Low Ss Iso10511
	30aa	L08603685	4	Nut Lock Hex M4 Low Ss Iso10511
	30bb	L08603688	6	Nut Lock Hex M5 Low Ss Iso10511
	30cc#	1462803000	1	Gasket-Rubber

Kit	Item	Ref. No.	Qty	Description
	31	56120202	1	Main Harness
	32	56120203	1	Cable-Power Machine
	33	56120204	1	Harness-Battery Power
	34	56120206	1	Cable-B+ Drive Module
	35	56120207	1	Cable-B- Power Module
	36	56120208	1	Cable-6ga Red
	37	56120209	1	Cable-B- Drive Module
	38	56120211	1	Cable-B+ Power Module
	39	56120220	1	Harness-Column
	40	56123173	1	Clip-Connector
	41	56123358	1	Pedal-Uni Direction-Hall (R3)
	42	56314608	2	Clamp, Cable
	43	56315255	2	Circuit Breaker, 5 Amp (CB1, CB3)
	44	56323260	6	Clamp, Hose Support
	45	56394585	1	Clamp-P-1.57 Dia.
	46	56419120	1	Clamp, Hose Support
	47	56454429	1	Circuit Breaker, 70 Amp (CB2)
	48	56459369	1	Boot, Reset Button
	49	56486112	1	Clamp-P
	50	56601686	1	Ferrite Bead
	51#	302004029	2	Screw Eجت Delta Pt50x18wn1451
	52#	1466344000	3	Tie Cable 4.8x200 Black
	53#	1467025000	7	Tie Cable 2.9x130 Black
	54	7-82-00050	1	Switch Seat (S22)

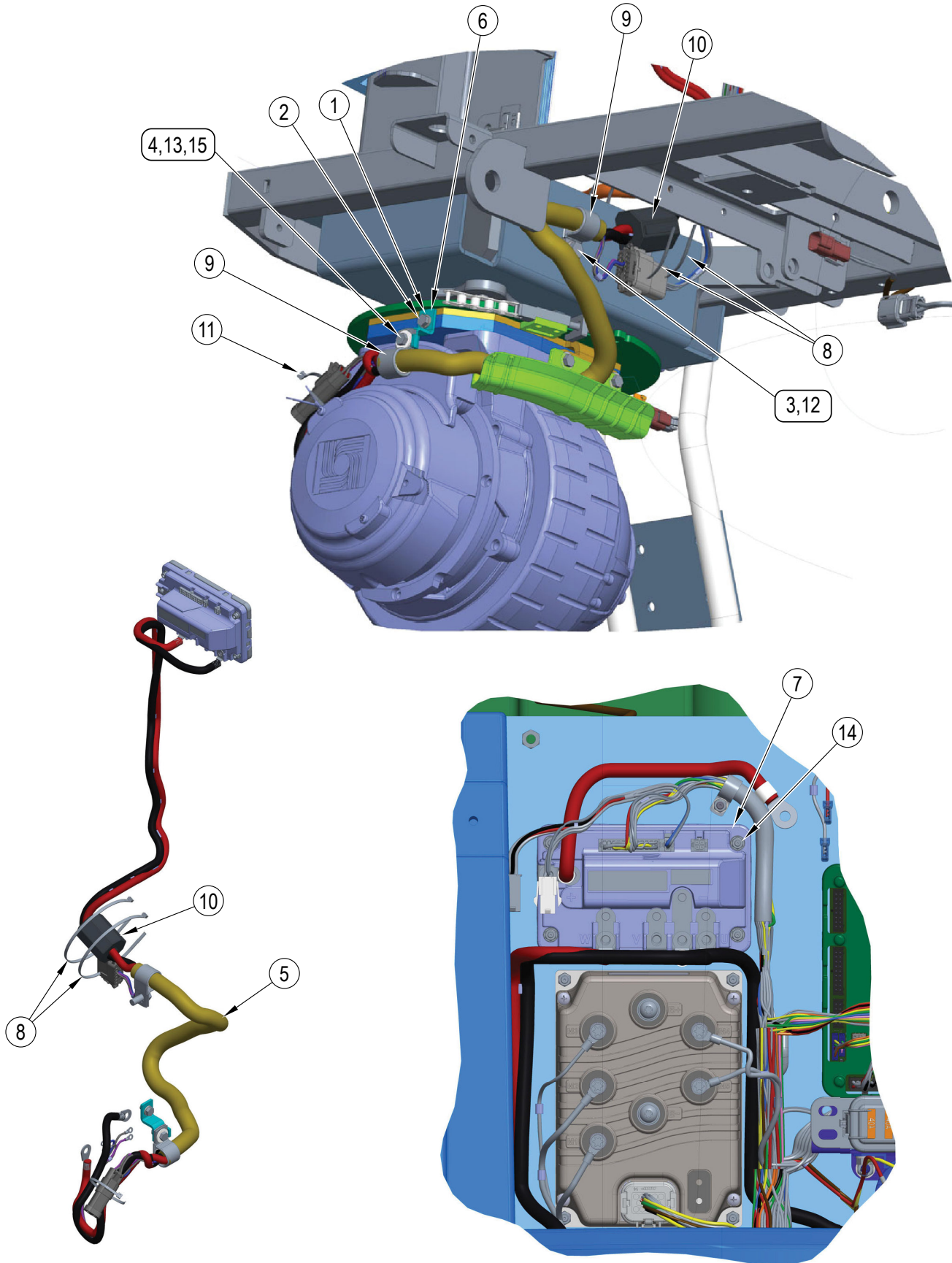
Service Kits

K1	56117835	1	36v Contactor Kit
K2#	56120488	1	Controller Kit

[] = Not Shown

= Revised or new since last update

ELECTRICAL SYSTEM-7



ELECTRICAL SYSTEM-7

Kit	Item	Ref. No.	Qty	Description
	1	33005875	1	Washer Plain M6x12.5x1.6 Ss Iso7093
	2	56004083	1	Scr Hex M6x12 Ss W/Thd Lck
	3	56004087	1	Scr Hex M8x20 Ss W/Thd Lck
	4	56004136	1	Scr Hex M6x16 Ss W/Thd Lck
	5	56120205	1	Harness-Traction
	6	56120244	1	Bracket-Traction Harness
	7	56120502	1	Controller-Drive (A4)
	8	56478523	2	Tie-Cable
	9	56496276	2	Clamp. Hose Support
	10	56601686	1	Ferrite Bead
	11#	1467025000	1	Tie Cable 2.9x130 Black
	12#	9100001351	1	Washer Plain M8x16 Ss Iso7089
	13	L08603682	1	Nut Lock Hex M6 Low Ss Iso10511
	14	L08603685	4	Nut Lock Hex M4 Low Ss Iso10511
	15	L08603689	1	Washer Plain M6x18 Ss Iso7093

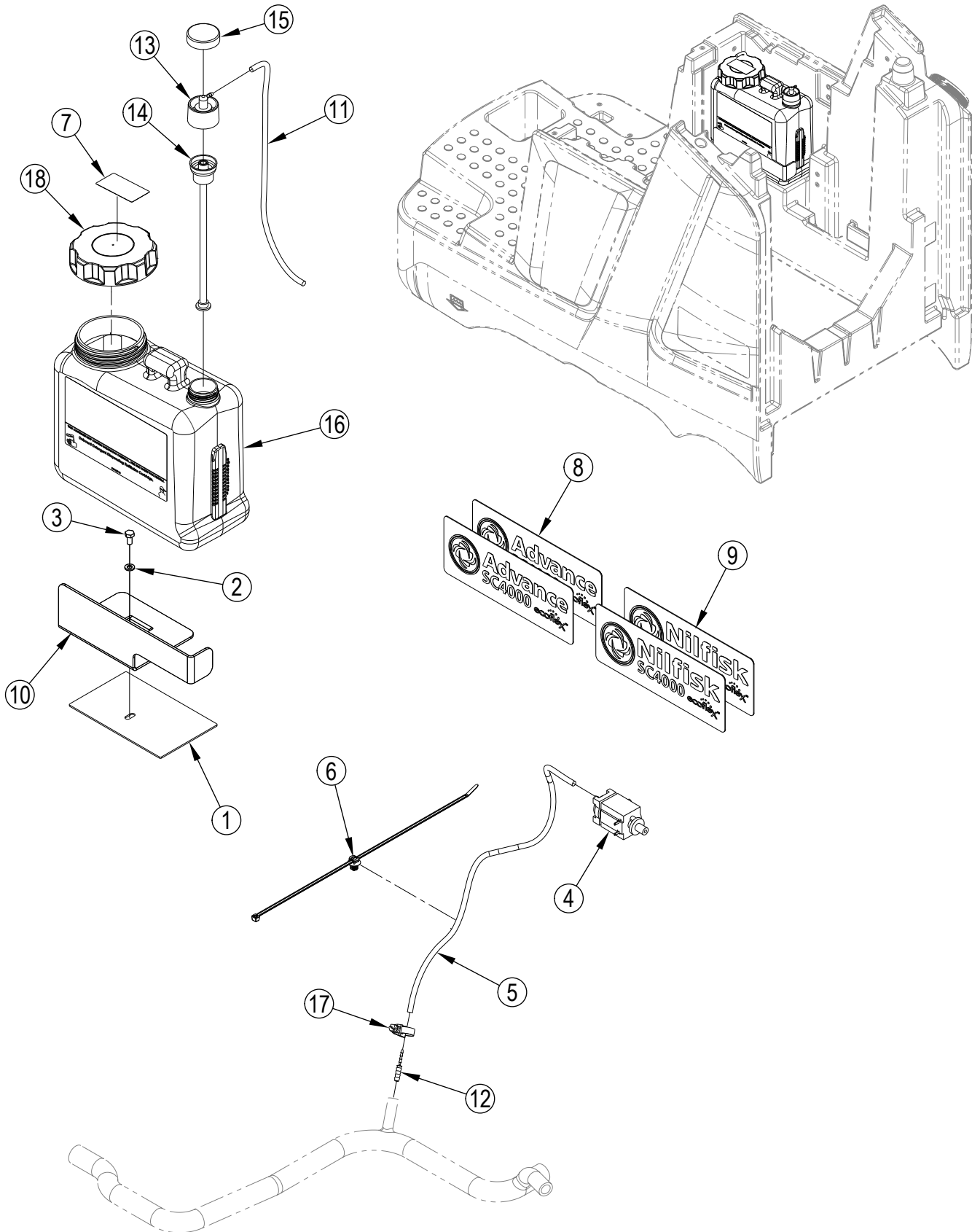
Service Kits

K1	56117835	1	36v Contactor Kit
----	----------	---	-------------------

[] = Not Shown

= Revised or new since last update

ECOFLEX™ ASSEMBLY

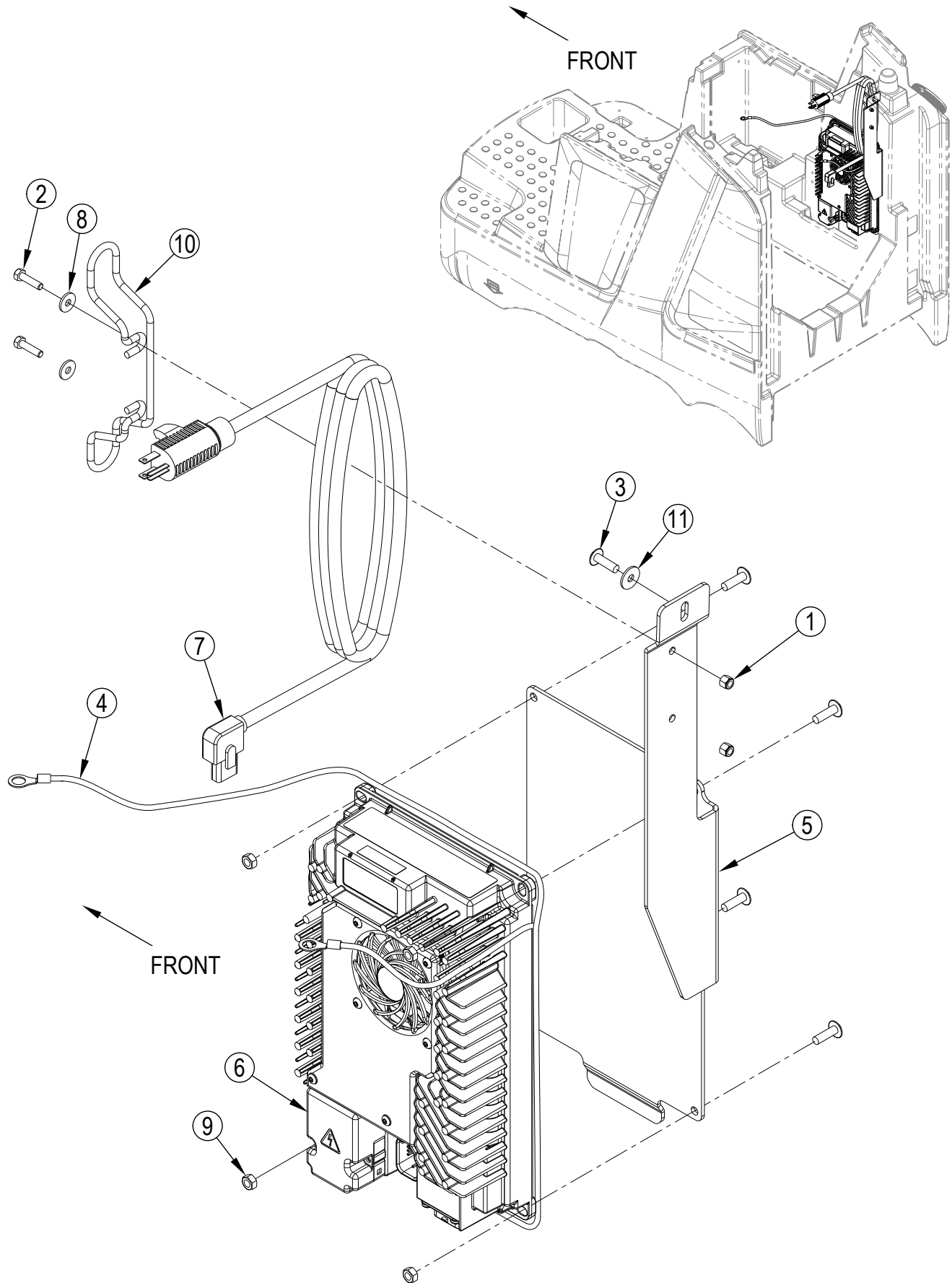


ECOFLEX™ ASSEMBLY

Kit	Item	Ref. No.	Qty	Description
	1	56394927	1	Bracket-Pump Cover
	2	56003638	1	Wsh. Flt Ss 6mm
	3	56004083	1	Scr Hex M6x12 Ss W/Thd Lck
	4	56110742	1	Pump, Detergent, 12v (M24)
	5	56111870	1	Hose-.125id
	6	56116611	1	Cable Tie-Mount
	7	56116801	1	Decal-Chemical Ratio
	8	56120184	2	Decal-Advance Sc4000-Ecoflex
	9	56120185	2	Decal-Nilfisk Sc4000-Ecoflex
	10	56120186	1	Bracket-Detergent Bottle
	11	56306169	1	Hose-.125 Id X 432mm
	12	56314982	1	Reducer Barb
	13	56315523	1	Cap Dry Break 1/8 Barb
	14	56315527	1	Insert, Dry Break
	15	56315690	1	Cap, 38mm Buttress
	16	56601544	1	Chemical Bottle Assy
	17#	33023593	1	Clamp Hose 8-16/9 Din3017
	18	9100001512	1	Cap Plastic F Chemical Tank

= Revised or new since last update

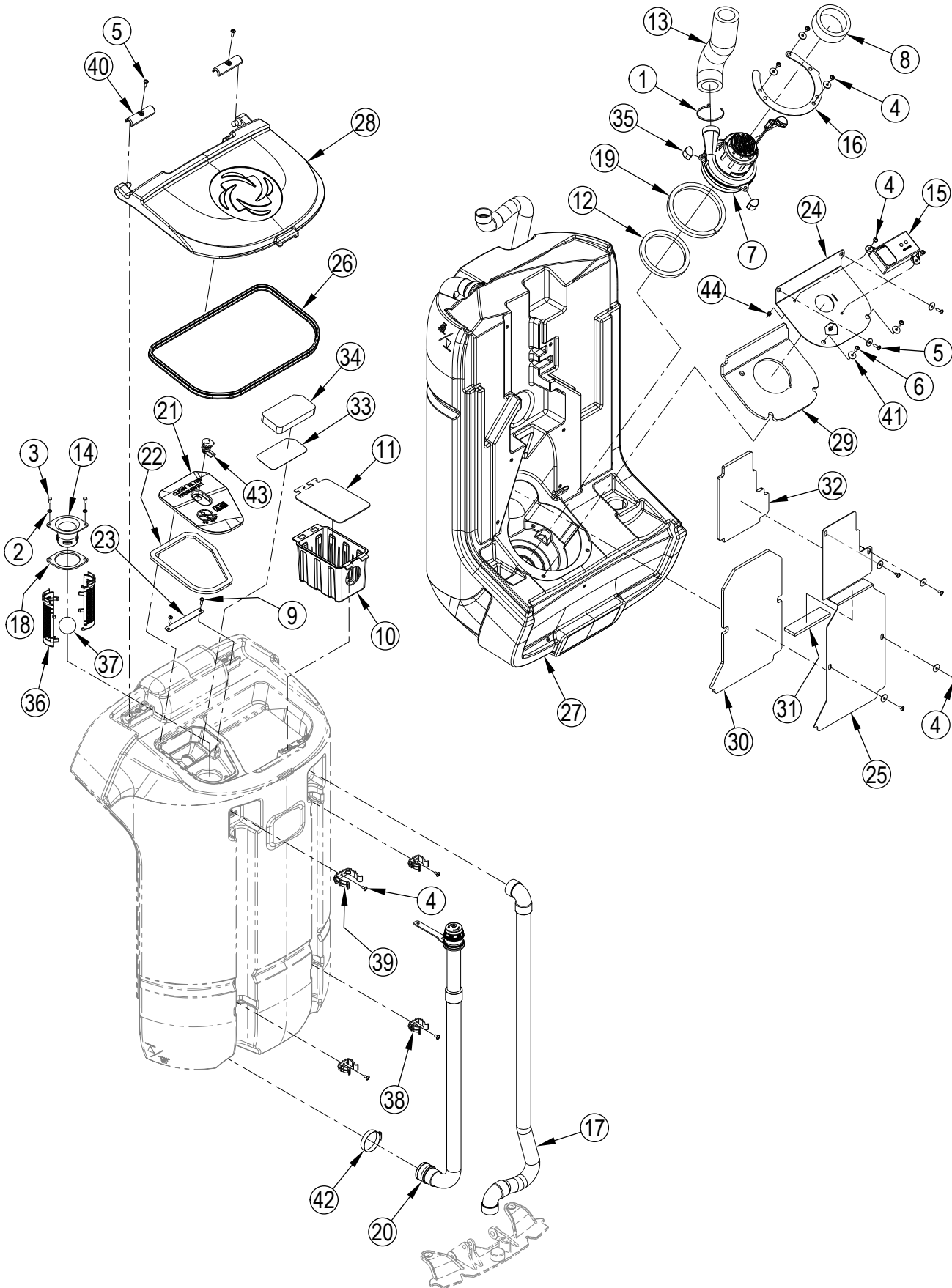
ONBOARD-CHARGER-ASSEMBLY



ONBOARD-CHARGER-ASSEMBLY

Kit	Item	Ref. No.	Qty	Description
	1	56003402	2	Nut-Hex Nyl Loc M5-0.8
	2	56003427	2	Scr-Hex M5-0.8 X 20mm
	3	56004101	5	Scr Trx M6x20 W/Thd Lck Blk
	4	56117410	1	Harness-Charger
	5	56117425	1	Bracket-Onboard Charger Mount
	6	56117797	1	Charger-On Board-36v (A7)
	7	56383866	1	Cord-Ac Nema Iec320 - Deltaq
	8	1458280000	2	Washer Plain M5x15 Ss Iso7093
	9	1459960000	4	Nut Hex M6 Ss
	10	9095149000	1	Cable Support
	11	1466530000	1	Washer Plain M6x18 Iso7093

RECOVERY SYSTEM



RECOVERY SYSTEM

Kit	Item	Ref. No.	Qty	Description	Kit	Item	Ref. No.	Qty	Description
	1	33003513	1	Tie Cable 4.8x290 Black	K6	24		1	Panel-Upper-Vacuum Exhaust
	2	33005875	2	Washer Plain M6x12.5x1.6 Ss Iso7093	K5	25		1	Panel-Lower-Vacuum Exhaust
	3	56004083	2	Scr Hex M6x12 Ss W/Thd Lck	K3	26		1	Seal-Recovery Cover
K1,K5	4		13	Scr Trx M6x12 W/Thd Lck Blk		27	56120088	1	Tank-Recovery
K3,K6	5		4	Scr Trx M6x20 W/Thd Lck Blk	K3	28		1	Cover-Recovery Tank
K6	6		2	Scr Trx M6x16 W/Thd Lck Blk	K6	29		1	Foam-Sound-Vac Cover
K2	7#		1	Motor-Vacuum 36vdc-Standard (M30, M30) NOTE 1	K5	30		1	Foam-Sound-Vac Exhaust-Upper
K7	7#		1	Motor-Vacuum 36vdc-HP (M30, M30) NOTE 2	K5	31		1	Foam-Sound-Vac Exhaust-Mid
K2	8		1	Seal-Inlet	K5	32		1	Foam-Sound-Vac Exhaust-Lower
	9	56116800	2	Screw M6x20 Wn1451 Black Zn		33	56314372	1	Screen, Filter
	10	56117529	1	Debris Tray		34	56314373	1	Filter
	11	56117530	1	Cover-Debris Tray	K2	35		3	Mount, Vibration
K2	12		1	Gasket-Vac Inlet	K1	36		2	Cage, Float Half
	13	56117532	1	Foam Tube-Exhaust	K1	37		1	Ball- Floating
K1	14		1	Mount-Float Cage		38	56392171	3	Clamp, Plastic
	15	56117538	1	Resonator-Vacuum Inlet		39	56396199	1	Clamp, Plastic
	16	56117539	1	Retainer-Vacuum Motor	K3	40		2	Hinge Clamp
	17	56117543	1	Squeegee Hose Assy	K5,K6	41		11	Washer Plain M6x24x2 Ss Iso7093
K1	18		1	Gasket-Float Cage		42	1460771000	1	Clamp Hose 47-67 / 12
K2	19		1	Gasket-Vac Housing	K4	43		1	Latch With Fold Away
	20	56117789	1	Hose Assy-Drain-Pu-1.5-Black		44	L08603682	2	Nut Lock Hex M6 Low Ss Iso10511
K4	21		1	Cover-Filter					
K4	22		1	Gasket-Filter Cover					
	23	56120084	1	Plate-Cover Latch					

Service Kits

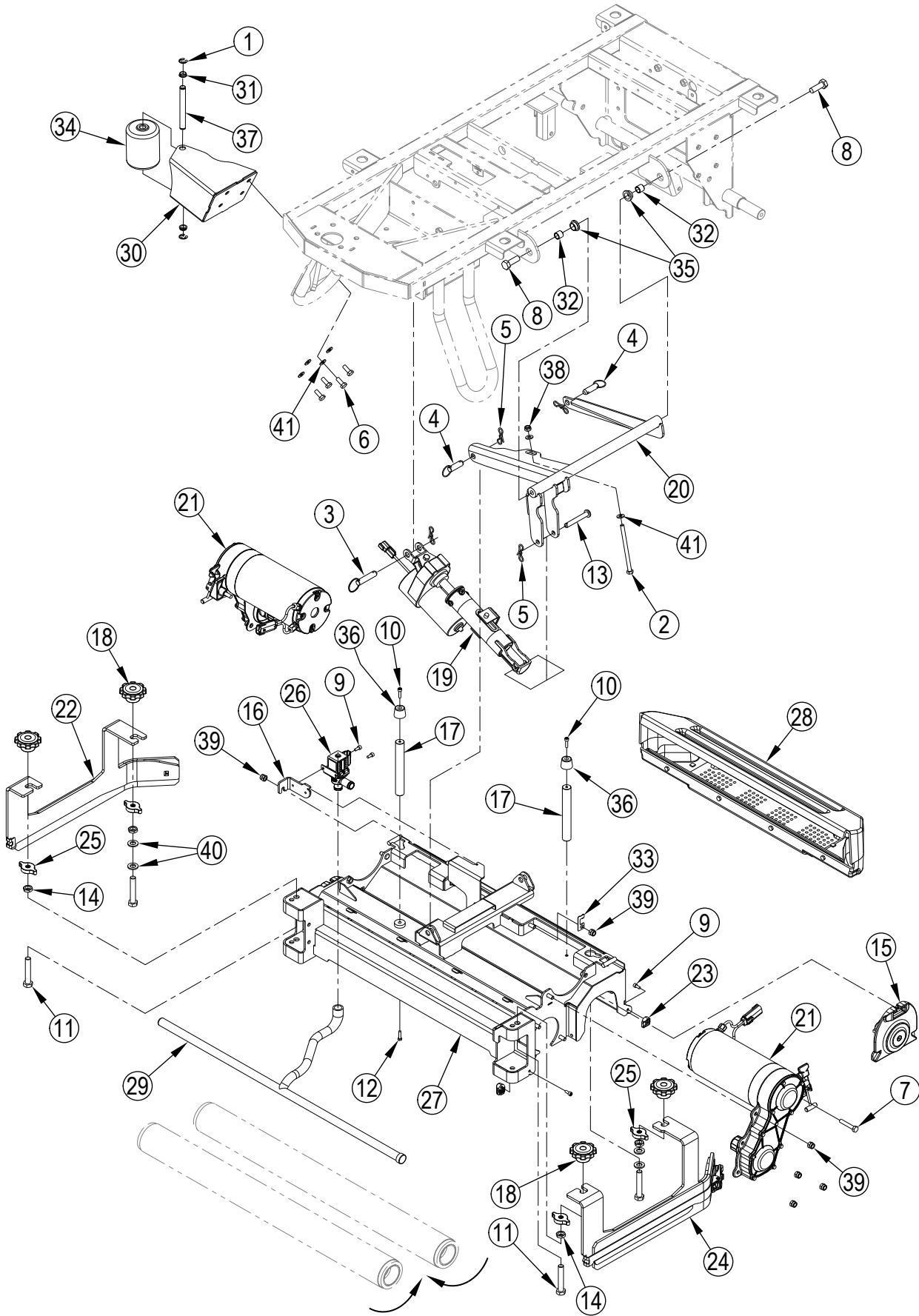
K1	56117992	1	Float Cage Kit
K2	56120313	1	Vacuum Motor Kit-Standard
K3	56120314	1	Recovery Tank Lid Kit
K4	56120315	1	Filter Cover Kit
K5	56120316	1	Lower Vacuum Exhaust Panel Kit
K6	56120317	1	Upper Vacuum Exhaust Panel Kit
K7#	56120261	1	Vacuum Kit-High Power

= Revised or new since last update

NOTE 1:# Service Kit 56120313 should be ordered if you have the Standard Vacuum Motor on your Recovery System.

NOTE 2:# Service Kit 56120261 should be ordered if you have the High Power Vacuum Motor on your Recovery System.

SCRUB SYSTEM-CYLINDRICAL-DECK ASSEMBLY-28C



SCRUB SYSTEM-CYLINDRICAL-DECK ASSEMBLY-28C

Kit	Item	Ref. No.	Qty	Description
K7,K8	1		2	Ring, Ret Ext Type E 0.50 Dia
	2	56003462	1	Scr-Hex Ss M8-1.25 X 120mm
K1	3		1	Pin, Ring .50 X 1.63
K9	4		2	Pin, Ring .500 X 1.18
K1,K9	5		4	Pin-Bow-Tie Cot 7/16-1/2x.091
K8	6		4	Scr Hex M8x20 Ss W/Thd Lck
K4	7		2	Scr Hex M8x45 Ss W/Thd Lck
K9	8		2	Scr Hex M12x35 Ss W/Thd Lck
K2	9		6	Scr Trx M5x12 Skt Ss W/Thd Lck
K3	10		2	Scr Trx M5x20 Skt Ss W/Thd Lck
K4,K5	11	56003658	4	Scr-Hex Thd To Hd Ss M12-1.75 X 70mm
K6				
	12	56004161	2	Scr Hex M5x20 Ss W/Thd Lck
K1,K9	13		1	Pin-Clevis 10x70 Iso2341-B
K4,K5	14	56003657	4	Nut, Hex Jam Ss Metric
K6				
	15#	56117318-SP	2	Idler Assembly-Cylindrical (Pages 32-33)
K2	16		1	Plate-Valve
K3	17		2	Rod-Up Stop-20mm-148mm
K4,K5	18	56380149	4	Knob - M12-1.75 Thru
K6				
K1	19#		1	Actuator Assy-Cyl Deck (Pages 32-33) (M27)
K9	20		1	Deck Linkage Weldment
	21#	56120292	2	Drive Assembly-Cyl-5.75in (Pages 32-33)
K5,K6	22#		1	Side Blade Assembly-Fixed-Rt (Pages 38-39)
	23	56117772	4	Guide-Wear
K5,K6	24#		1	Side Blade Assembly-Fixed-Lt (Pages 38-39)
K5,K6	25	56601578	4	Knob
K2	26		1	Valve-Solenoid-36vdc (L7)
K4	27		1	Cyl Deck Weldment-28 In
	28	56120122	1	Hopper Assembly-28in (Pages 32-33)
	29	56120125	1	Applicator Tube Assy-28 In

Kit	Item	Ref. No.	Qty	Description
K8	30		1	Roller Weldment-28c
K7,K8	31		2	Bearing, Flange
K9	32		2	Bushing
	33	56384494	2	Clip-Mount-Tie Down
K7,K8	34		1	Wheel, Roller
K9	35		2	Bearing, Flange
K3	36		2	Up Stop Mount
K7,K8	37		1	Pin
	38	1450452000	1	Nut Lock Hex M8 Low Ss Iso10511
K4	39		11	Nut Lock Hex M8 Ss Iso7040
K4,K6	40	33003720	4	Washer Plain M12x24 Iso7089
K8	41#		6	Washer Plain M8x16 Ss Iso7089

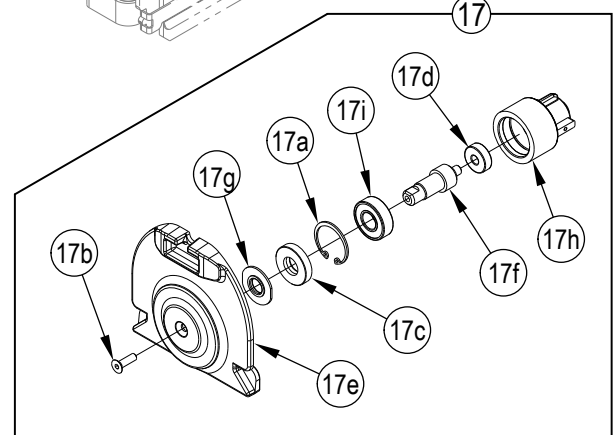
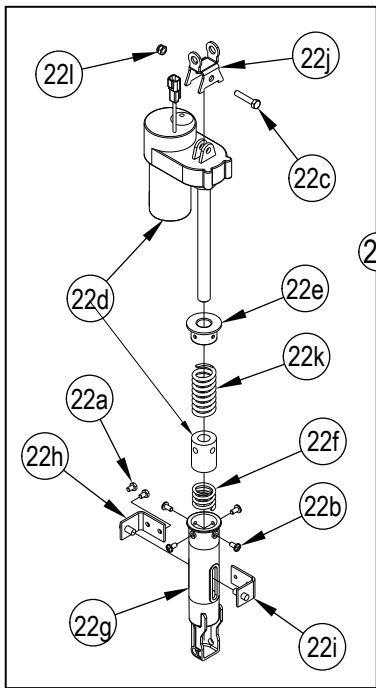
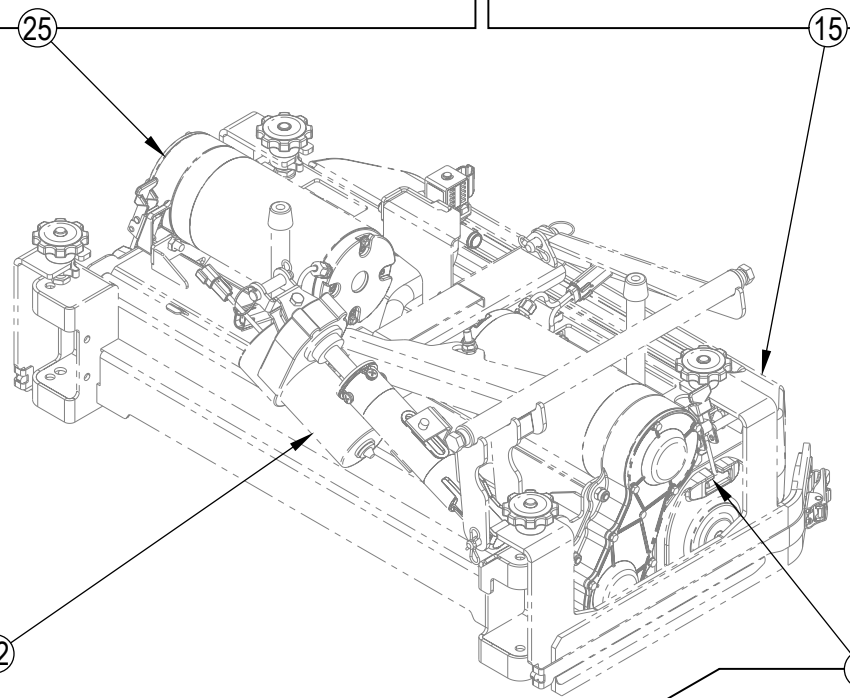
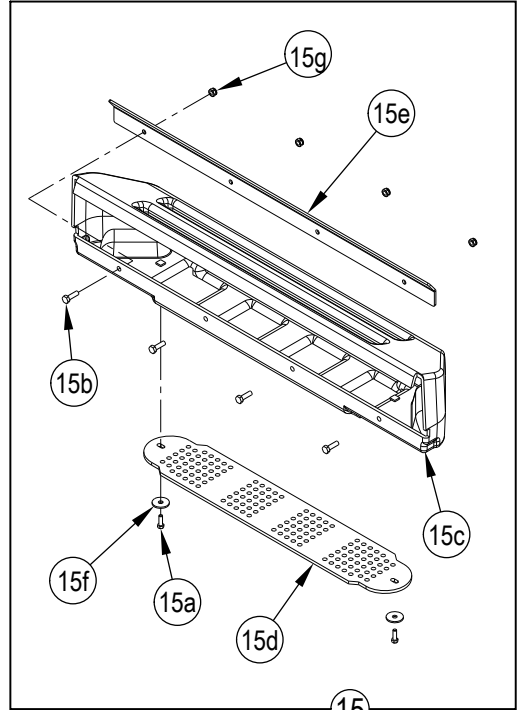
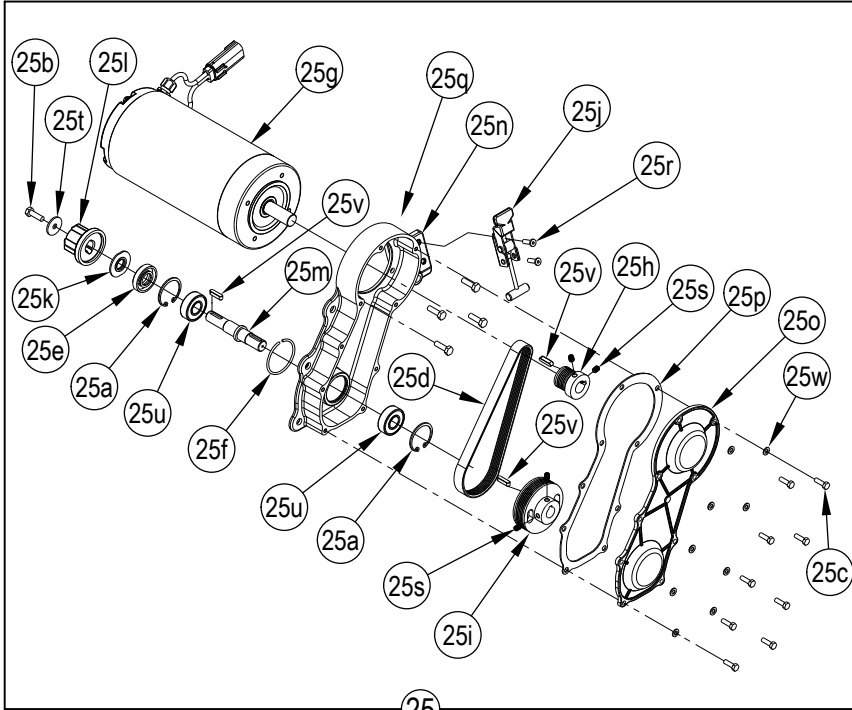
Service Kits

K1	56117919	1	Cylindrical Deck Actuator Kit
K2	56117898	1	Solenoid Valve Kit
K3	56117899	1	Up Stop Kit
K4	56120318	1	28 Cyl Deck Weldment Kit
K5	56117901	1	Right Blade Kit
K6	56117902	1	Left Blade Kit
K7	56117903	1	Roller Wheel Kit
K8	56120319	1	Roller Kit
K9	56117911	1	Deck Linkage Kit

[] = Not Shown

= Revised or new since last update

SCRUB SYSTEM-CYLINDRICAL-DECK ASSEMBLIES-28C



SCRUB SYSTEM-CYLINDRICAL-DECK ASSEMBLIES-28C

Kit	Item	Ref. No.	Qty	Description
	15	56120122	1	Hopper Assembly-28in
K12	15a		2	Scr-Hex Loc Ss M5-0.8 X 16mm
	15b	56004084	4	Scr Hex M6x20 Ss W/Thd Lck
	15c#		1	Hopper-Cylindrical-28in
K12	15d		1	Screen-Hopper-28in
	15e	56120129	1	Bracket-Hopper-28in
K12	15f		2	Washer Plain M6x24x2 Ss Iso7093
	15g	L08603682	4	Nut Lock Hex M6 Low Ss Iso10511

Kit	Item	Ref. No.	Qty	Description
	17	56117318-SP	2	Idler Assembly-Cylindrical
	17a	33006165	1	Ring D 35 Uni7437
	17b	33023604	1	Screw M6x20 C/Sunk Flat Hex Ss Iso10642
	17c	56117136-SP	1	Seal-Bearing-15mm X 35mm X 7mm
	17d	56117198-SP	1	Bearing-Ball-8mm X 24mm X 8mm
	17e	56117317-SP	1	Castng-Idler End-Cylindrical
	17f	56117563	1	Spindle-Idler End-Cylindrical
	17g	56117564-SP	1	Washer-Bearing
	17h	56117904	1	Lug-Idler-Cyl Deck
	17i	1452361000	1	Ball Bearing 6202 2rs1

Kit	Item	Ref. No.	Qty	Description
	22#	56117919	1	Actuator Assy-Cyl Deck (M27)
	22a	56009019	2	Scr. Hex Thd Form 1/4-20 X .38
	22b	56009062	4	Scr. Pan Phil Thd Form 1/4-20 X .50
	22c	56116853	1	Screw M8x40 Uni5739 Ss
	22d	56117499-SP	1	Actuator-Deck
	22e	56396268	1	Spring Housing Guide
	22f	56412071	1	Compression Spring
	22g	56412262	1	Housing Spring
	22h	56420019	1	Nut Retainer
	22i	56420020	1	Nut Retainer
	22j	56601328	1	Yoke, Actuator
	22k	56601470	1	Compression Spring
	22l	1450452000	1	Nut Lock Hex M8 Low Ss Iso10511

Kit	Item	Ref. No.	Qty	Description
	25#	56120292	2	Drive Assembly-Cyl-5.75in
K18	25a	33006165	2	Ring D 35 Uni7437
K13	25b		5	Scr Hex M6x20 Ss W/Thd Lck
K16	25c		9	Scr Hex M5x16 Ss W/Thd Lck
K16	25d		1	Belt-Auto Tension
K18	25e	56117136-SP	1	Seal-Bearing-15mm X 35mm X 7mm
K18	25f	56117148-SP	1	Ring-Ret Ext-Round-45mm
K13	25g		1	Motor-36vdc-1900rpm-550w (M34, M40)
K15	25h		1	Sheave-Poly-V-27.25mm
K17	25i		1	Sheave-Poly V
K14	25j		1	Latch-Draw
K18	25k	56117564-SP	1	Washer-Bearing
	25l	56117565-SP	1	Lug-Drive End
K18	25m	56117566	1	Spindle-Drive End-Cylindrical
K18	25n	56117760-SP	1	Housing-Cylindrical Drive
K16	25o		1	Cover-Belt Housing
K16	25p	56117762-SP	1	Gasket-Drive Housing-Cyl
K14	25q	56117785-SP	1	Plate-Nut-Latch
K14	25r		2	Scr-Soc Hd-Low Prfl-M5x16-Znc
K15.K17	25s		4	Scr-Soc-Set Cup M6x8 Iso4029
	25t	9100001272	1	Washer Plain M6x24 Ss Iso7093 10 Pcs Set
K18	25u	1452361000	2	Ball Bearing 6202 2rs1
K13.K15	25v		3	Key 5x5x20
K16	25w		9	Washer Plain M5x10 Ss Iso7089

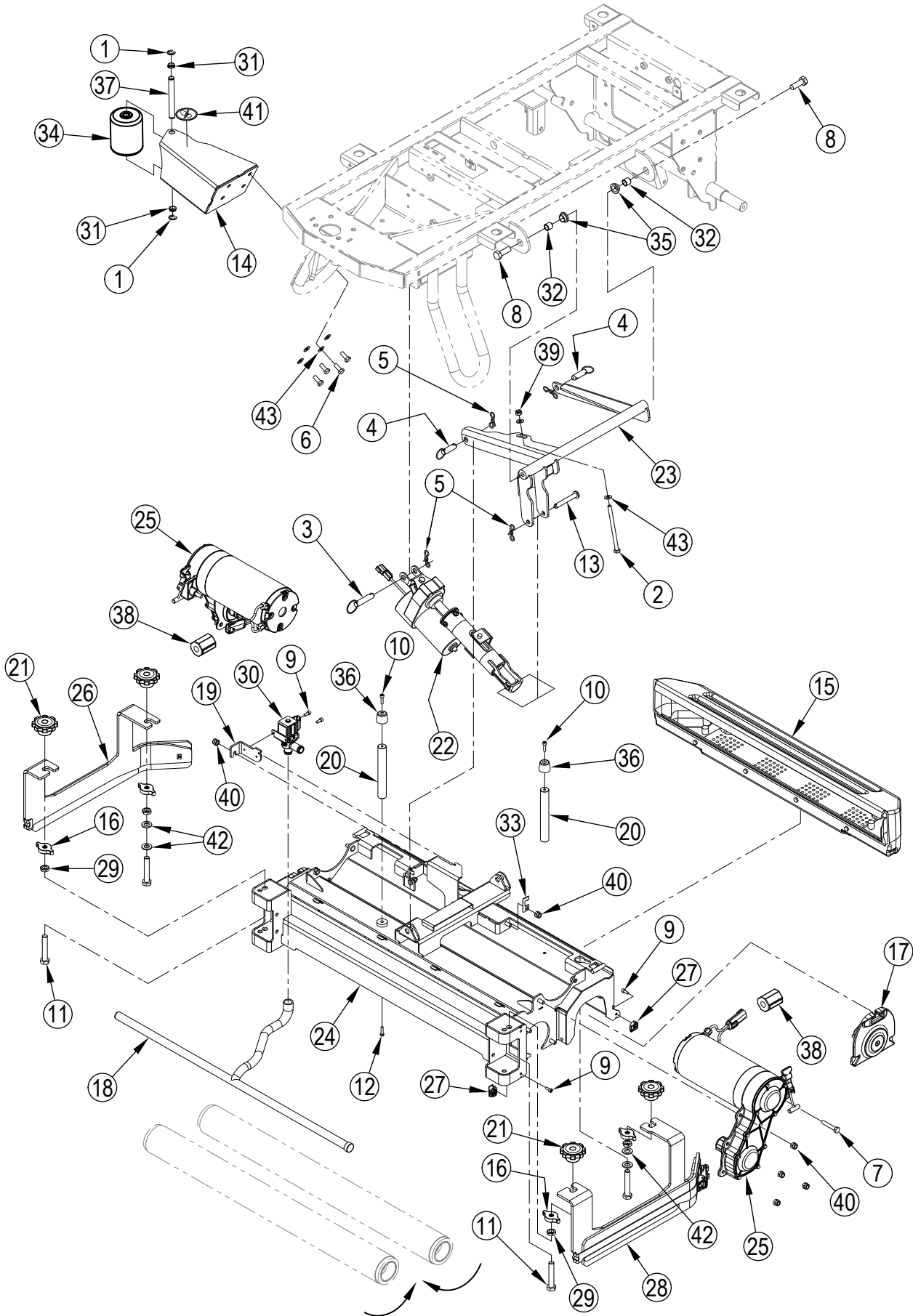
Service Kits

K12	56120320	1	Hopper Screen Kit-28
K13	56117459	1	Motor Kit-Cyl Deck
K14	56117460	1	Latch Kit-Cyl
K15	56117461	1	Motor Sheave Kit
K16	56117462	1	Belt Auto Tension Kit
K17	56117463	1	Drive Sheave Kit
K18	56120333	1	Drive Housing Kit-Cyl-5.75IN

[] = Not Shown

= Revised or new since last update

SCRUB SYSTEM-CYLINDRICAL-DECK ASSEMBLY-32C



SCRUB SYSTEM-CYLINDRICAL-DECK ASSEMBLY-32C

Kit	Item	Ref. No.	Qty	Description
K7,K8	1		2	Ring, Ret Ext Type E 0.50 Dia
	2	56003462	1	Scr-Hex Ss M8-1.25 X 120mm
K1	3		1	Pin, Ring .50 X 1.63
K9	4	56003786	2	Pin, Ring .500 X 1.18
K1,K9	5		4	Pin-Bow-Tie Cot 7/16-1/2x.091
K8	6		4	Scr Hex M8x20 Ss W/Thd Lck
K4	7		2	Scr Hex M8x45 Ss W/Thd Lck
K9	8		2	Scr Hex M12x35 Ss W/Thd Lck
K2	9		6	Scr Trx M5x12 Skt Ss W/Thd Lck
K3	10		2	Scr Trx M5x20 Skt Ss W/Thd Lck
K4,K5	11	56003658	4	Scr-Hex Thd To Hd Ss M12-1.75 X 70mm
K6				
	12	56004161	2	Scr Hex M5x20 Ss W/Thd Lck
K1,K9	13		1	Pin-Clevis 10x70 Iso2341-B
K8	14		1	Roller Weldment
	15	56117313-SP	1	Hopper Assembly-32in (Pages 36-37)
K4,K5	16	56601578	4	Knob
K6				
	17	56117318-SP	2	Idler Assembly-Cylindrical (Pages 36-37)
	18	56117362-SP	1	Applicator Tube Assy-32 In
K2	19	56117455-SP	1	Plate-Valve
K3	20		2	Rod-Up Stop-20mm-148mm
K5,K6	21	56380149	4	Knob - M12-1.75 Thru
K1	22#		1	Actuator Assy-Cyl Deck (Pages 36-37) (M27)
K9	23		1	Deck Linkage Weldment
K4	24		1	Cyl Deck Weldment-32in
	25#	56120292	2	Drive Assembly-Cyl-5.75in (Pages 36-37)
K6	26#		1	Side Blade Assembly-Fixed-Rt (Pages 38-39)
	27	56117772-SP	4	Guide-Wear
K5	28#		1	Side Blade Assembly-Fixed-Lt (Pages 38-39)

Kit	Item	Ref. No.	Qty	Description
K5,K6	29	56003657	4	Nut, Hex Jam Ss Metric
K2	30		1	Valve-Solenoid-36vdc (L7)
K7,K8	31		2	Bearing, Flange
K9	32		2	Bushing
	33	56384494	2	Clip-Mount-Tie Down
K7,K8	34		1	Wheel, Roller
K9	35		2	Bearing, Flange
K3	36		2	Up Stop Mount
K7,K8	37		1	Pin
	38	56601686	2	Ferrite Bead
	39	1450452000	1	Nut Lock Hex M8 Low Ss Iso10511
K4	40		11	Nut Lock Hex M8 Ss Iso7040
K8	41	56016163	1	Decal, No Stop
K5,K6	42	33003720	4	Washer Plain M12x24 Iso7089
K8	43#		6	Washer Plain M8x16 Ss Iso7089

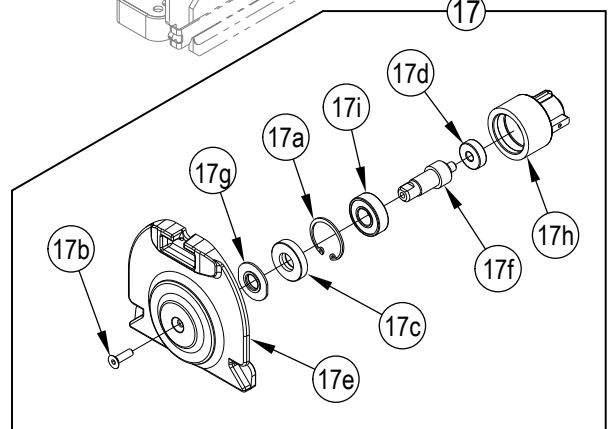
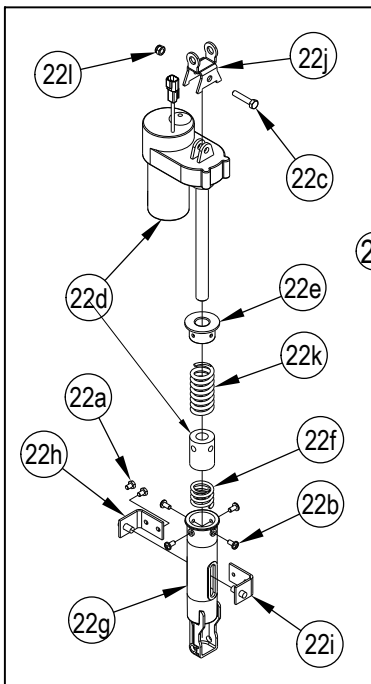
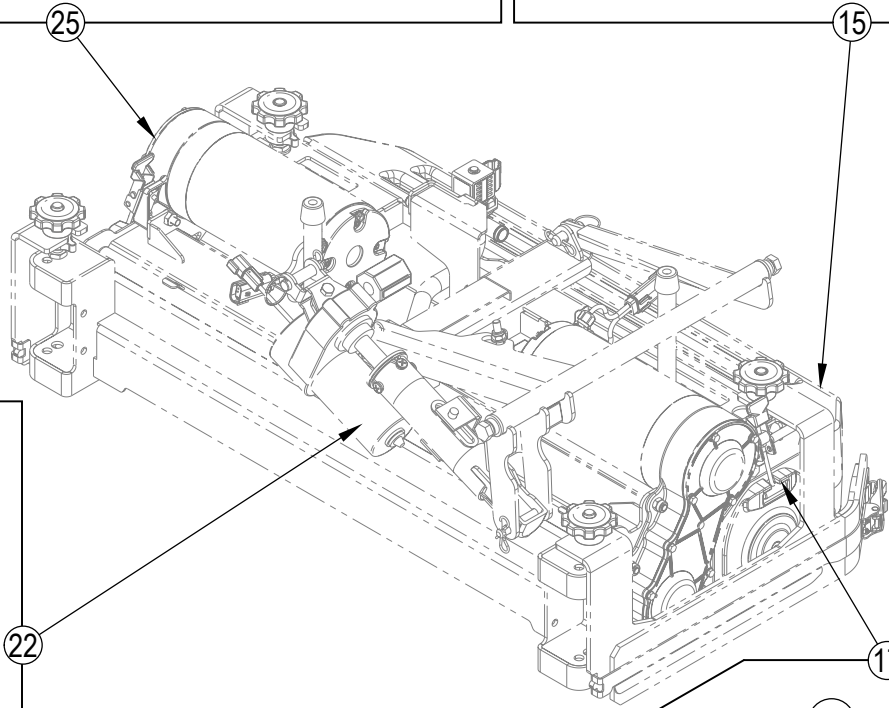
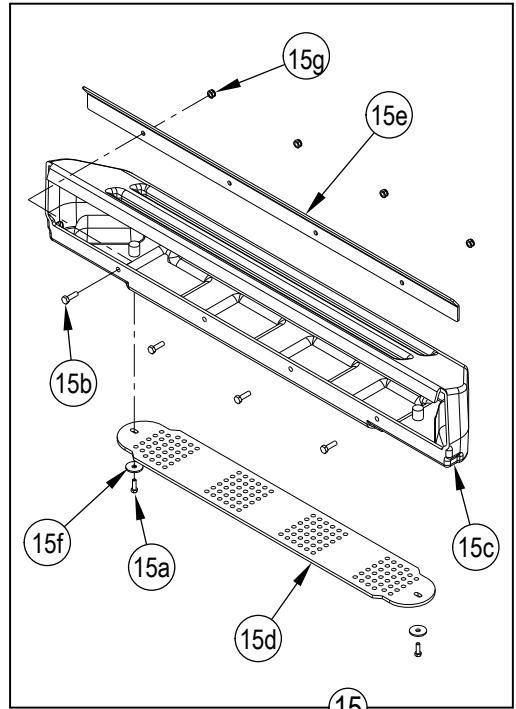
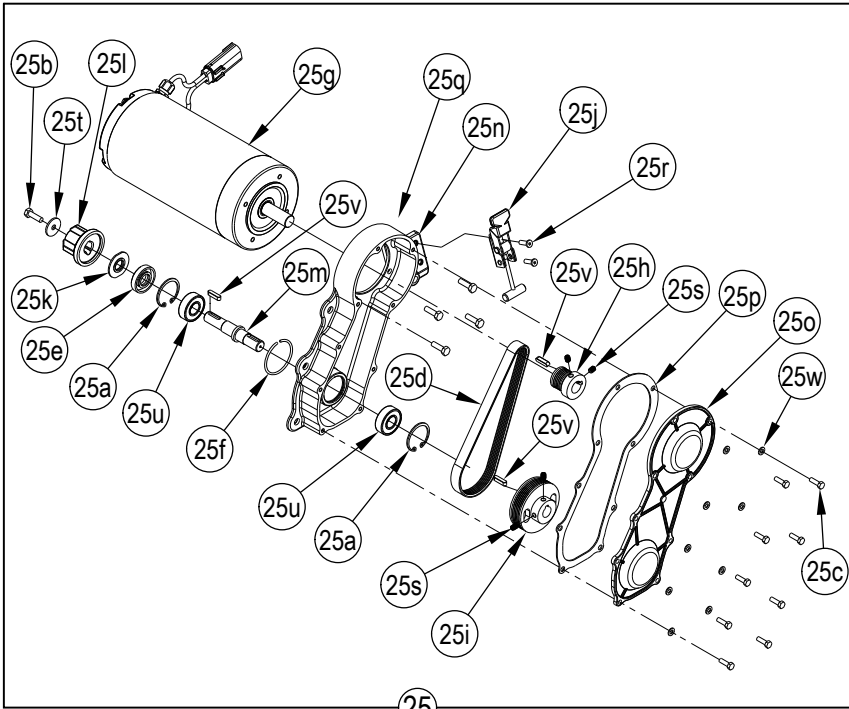
Service Kits

K1	56117919	1	Cylindrical Deck Actuator Kit
K2	56117898	1	Solenoid Valve Kit
K3	56117899	1	Up Stop Kit
K4	56117900	1	32 Cyl Deck Weldment Kit
K5	56117901	1	Right Blade Kit
K6	56117902	1	Left Blade Kit
K7	56117903	1	Roller Wheel Kit
K8	56117915	1	Roller Kit
K9	56117911	1	Deck Linkage Kit

[] = Not Shown

= Revised or new since last update

SCRUB SYSTEM-CYLINDRICAL-DECK ASSEMBLIES-32C



SCRUB SYSTEM-CYLINDRICAL-DECK ASSEMBLIES-32C

Kit	Item	Ref. No.	Qty	Description
	15	56117313-SP	1	Hopper Assembly-32in
K12	15a		2	Scr-Hex Loc Ss M5-0.8 X 16mm
	15b	56004084	4	Scr Hex M6x20 Ss W/Thd Lck
	15c#		1	Hopper-Cylindrical-32in
K12	15d		1	Screen-Hopper-32in
	15e	56117314	1	Bracket-Hopper-32in
K12	15f		2	Washer Plain M6x24x2 Ss Iso7093
	15g	L08603682	4	Nut Lock Hex M6 Low Ss Iso10511

Kit	Item	Ref. No.	Qty	Description
	17	56117318-SP	2	Idler Assembly-Cylindrical
	17a	33006165	1	Ring D 35 Uni7437
	17b	33023604	1	Screw M6x20 C/Sunk Flat Hex Ss Iso10642
	17c	56117136-SP	1	Seal-Bearing-15mm X 35mm X 7mm
	17d	56117198-SP	1	Bearing-Ball-8mm X 24mm X 8mm
	17e	56117317-SP	1	Castng-Idler End-Cylindrical
	17f	56117563	1	Spindle-Idler End-Cylindrical
	17g	56117564-SP	1	Washer-Bearing
	17h	56117904	1	Lug-Idler-Cyl Deck
	17i	1452361000	1	Ball Bearing 6202 2rs1

Kit	Item	Ref. No.	Qty	Description
	22#		1	Actuator Assy-Cyl Deck (M27)
	22a	56009019	2	Scr, Hex Thd Form 1/4-20 X .38
	22b	56009062	4	Scr, Pan Phil Thd Form 1/4-20 X .50
	22c	56116853	1	Screw M8x40 Uni5739 Ss
	22d	56117499-SP	1	Actuator-Deck
	22e	56396268	1	Spring Housing Guide
	22f	56412071	1	Compression Spring
	22g	56412262	1	Housing Spring
	22h	56420019	1	Nut Retainer
	22i	56420020	1	Nut Retainer
	22j	56601328	1	Yoke, Actuator
	22k	56601470	1	Compression Spring
	22l	1450452000	1	Nut Lock Hex M8 Low Ss Iso10511

Kit	Item	Ref. No.	Qty	Description
	25#	56120292	2	Drive Assembly-Cyl-5.75in
K18	25a	33006165	2	Ring D 35 Uni7437
K13	25b		5	Scr Hex M6x20 Ss W/Thd Lck
K16	25c		9	Scr Hex M5x16 Ss W/Thd Lck
K16	25d		1	Belt-Auto Tension
K18	25e	56117136-SP	1	Seal-Bearing-15mm X 35mm X 7mm
K18	25f	56117148-SP	1	Ring-Ret Ext-Round-45mm
K13	25g		1	Motor-36vdc-1900rpm-550w (M34, M40)
K15	25h		1	Sheave-Poly-V-27.25mm
K17	25i		1	Sheave-Poly V
K14	25j		1	Latch-Draw
K18	25k	56117564-SP	1	Washer-Bearing
	25l	56117565-SP	1	Lug-Drive End
K18	25m	56117566	1	Spindle-Drive End-Cylindrical
K18	25n	56117760-SP	1	Housing-Cylindrical Drive
K16	25o		1	Cover-Belt Housing
K16	25p	56117762-SP	1	Gasket-Drive Housing-Cyl
K14	25q	56117785-SP	1	Plate-Nut-Latch
K14	25r		2	Scr-Soc Hd-Low Prfl-M5x16-Znc
K15	25s		4	Scr-Soc-Set Cup M6x8 Iso4029
K17				
	25t	9100001272	1	Washer Plain M6x24 Ss Iso7093 10 Pcs
Set				
K18	25u	1452361000	2	Ball Bearing 6202 2rs1
K13	25v		3	Key 5x5x20
K15				
K16	25w		9	Washer Plain M5x10 Ss Iso7089

Service Kits

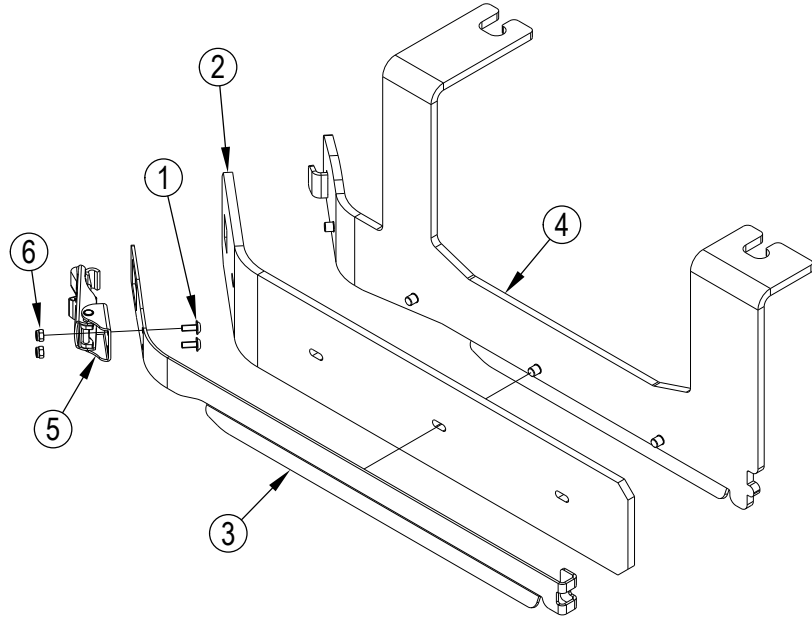
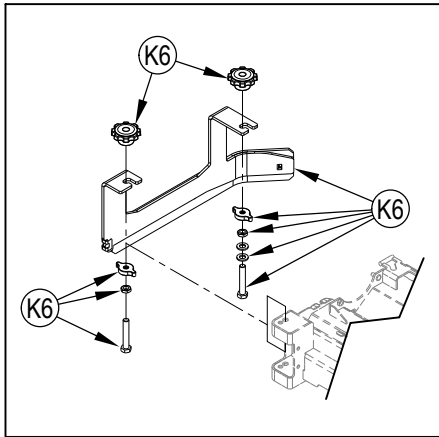
K12	56117458	1	Hopper Screen Kit-32
K13	56117459	1	Motor Kit-Cyl Deck
K14	56117460	1	Latch Kit-Cyl
K15	56117461	1	Motor Sheave Kit
K16	56117462	1	Belt Auto Tension Kit
K17	56117463	1	Drive Sheave Kit
K18	56120333	1	Drive Housing Kit-Cyl-5.75IN

[] = Not Shown

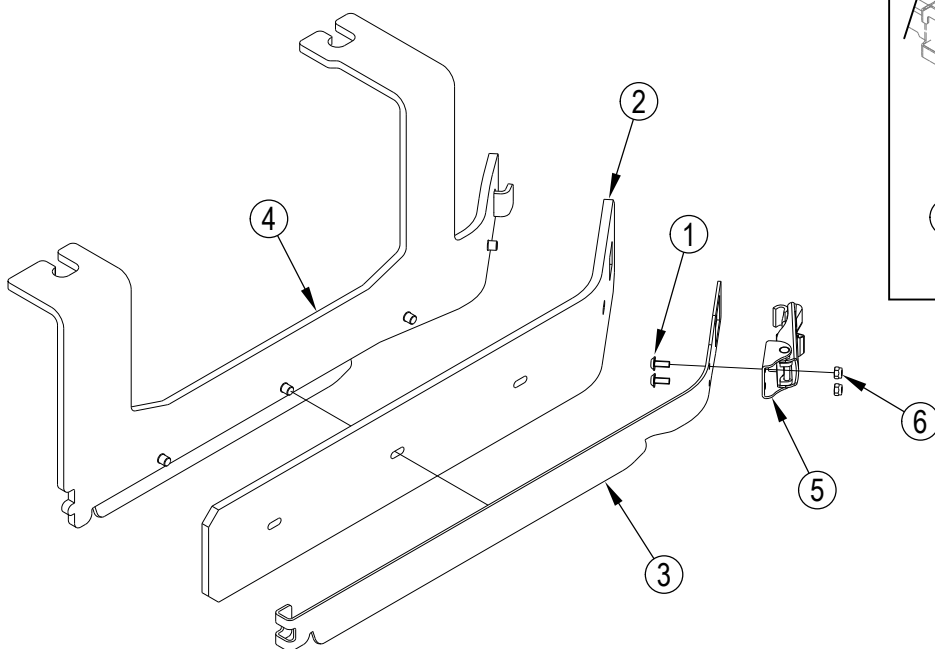
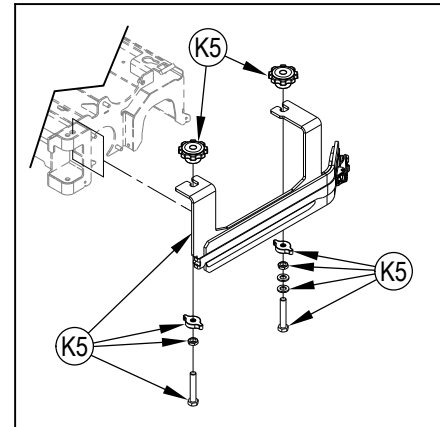
= Revised or new since last update

SCRUB SYSTEM-CYLINDRICAL-SIDE BLADE ASSEMBLIES

RIGHT FIXED SIDE BLADE ASSEMBLY



LEFT FIXED SIDE BLADE ASSEMBLY



SCRUB SYSTEM-CYLINDRICAL-SIDE BLADE ASSEMBLIES

Kit	Item	Ref. No.	Qty	Description
K6			1	Right Fixed Blade Kit
K11	1	56004097	2	Scr Trx M4x10 Bk Zc W/Thd Lck
	2	56117309-SP	1	Blade-Cylindrical-Linatex
	3	56117771	1	Strap-Side Blade-Cyl-Right
	4	56120364	1	Skirt Bracket Weldment-Right
K11	5	56471194	1	Latch Assembly
K11	6	L08603685	2	Nut Lock Hx M4 Low Ss Iso10511

Service Kits

K6	56120487	1	Right Fixed Blade Kit
K11	56117238	1	Rh Strap Kit-Cyl

* = Optional, Not Included

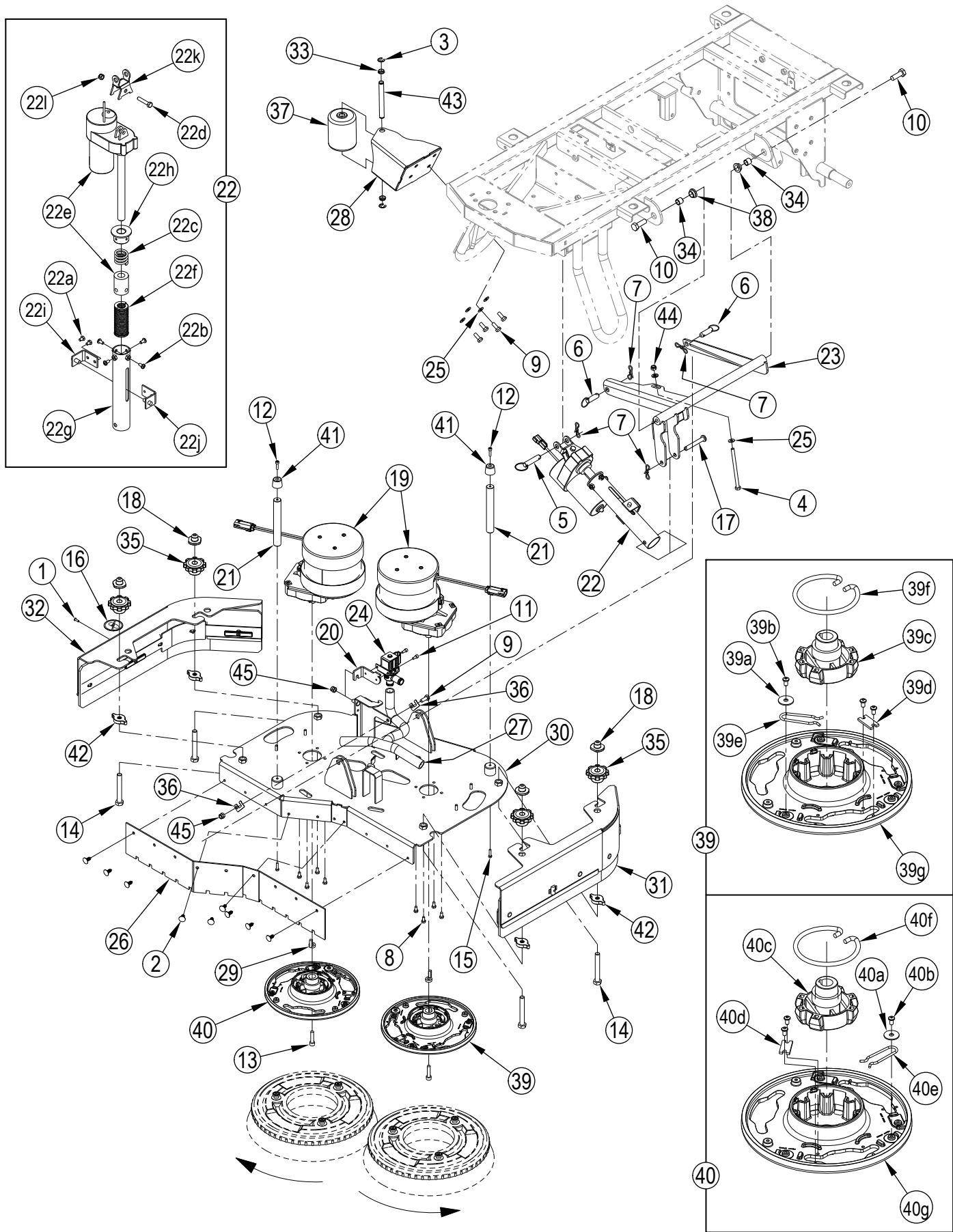
Kit	Item	Ref. No.	Qty	Description
K5			1	Left Fixed Blade Kit
K10	1	56004097	2	Scr Trx M4x10 Bk Zc W/Thd Lck
	2	56117309-SP	1	Blade-Cylindrical-Linatex
	3	56117781	1	Strap-Side Blade-Cyl-L
	4	56120362	1	Skirt Bracket Weldment-Left
K10	5	56471194	1	Latch Assembly
K10	6		2	Nut Lock Hex M4 Low Ss Iso10511

Service Kits

K5	56120486	1	Left Fixed Blade Kit
K10	56117252	1	Lh Strap Kit-Cyl

* = Optional, Not Included

SCRUB SYSTEM-DISC-DECK ASSEMBLY-28D



SCRUB SYSTEM-DISC-DECK ASSEMBLY-28D

Kit	Item	Ref. No.	Qty	Description
K11	1		2	Rivet, 0.156 Dia X 1/2
K10,K14	2		9	Rivet, Nylon Tree Push-In (.25)
K15	3		2	Ring, Ret Ext Type E 0.50 Dia
	4	56003462	1	Scr-Hex Ss M8-1.25 X 120mm
K6	5		1	Pin, Ring .50 X 1.63
K7	6		2	Pin, Ring .500 X 1.18
K6,K7	7		4	Pin-Bow-Tie Cot 7/16-1/2x.091
K3,K5	8		8	Scr Hex M6x12 Ss W/Thd Lck
K10				
K10,K15	9		5	Scr Hex M8x20 Ss W/Thd Lck
K7	10		2	Scr Hex M12x35 Ss W/Thd Lck
K4	11		2	Scr Trx M5x12 Skt Ss W/Thd Lck
K3	12		2	Scr Trx M5x20 Skt Ss W/Thd Lck
K5,K8	13		2	Scr Trx M8x35 Skt Ss W/Thd Lck
K9,K10				
K10,K11	14		4	Scr Hex M12x90 Ss Iso4017
K12				
K10	15		2	Scr Hex M5x20 Ss W/Thd Lck
K11	16		1	Decal, No Step
K6,K7	17		1	Pin-Clevis 10x70 Iso2341-B
K11,K1218			4	Cap-Side Skirt Holder
K5	19		2	Motor-36vdc-250rpm-1hp (M33, M41)
K5	[]		1	Key, Square 1.25 X 1.44
K4	20		1	Plate-Valve
K3	21		2	Rod-Up Stop-20mm-148mm
K6	22		1	Actuator Assy-Disk Deck (M27)
K16	22a		2	Scr, Hex Thd Form 1/4-20 X .38
K16	22b		4	Scr, Pan Phil Thd Form 1/4-20 X .50
K16	22c		1	Spring-Compression 1.40x1.40in
	22d	56116853	1	Screw M8x40 Uni5739 Ss
	22e	56117499-SP	1	Actuator-Deck
K16	22f		1	Spring-Compression-1.44x3.50in
K16	22g		1	Spring Housing Weldment
K16	22h		1	Spring Housing Guide
K16	22i		1	Nut Retainer
K16	22j		1	Nut Retainer
	22k	56601328	1	Yoke, Actuator
	22l	1450452000	1	Nut Lock Hex M8 Low Ss Iso10511
K7	23		1	Deck Linkage Weldment
K4	24		1	Valve-Solenoid-36vdc (L7)

Kit	Item	Ref. No.	Qty	Description
K15	25#		6	Washer Plain M8x16 Ss Iso7089
K14	26		1	Blade-Front-28d
	27	56120119	1	Hose-Solution Feed Disc-28
K15	28		1	Roller Weldment-28d
K5,K8	29#		2	Key Assembly Weldment
K9,K10				
K10	30		1	Scrub Deck Weldment-28d
K12	31		1	Left Side Skirt Assy-28d (Pages 46-47)
K11	32		1	Right Side Skirt Assy-28d (Pages 46-47)
K15	33		2	Bearing, Flange
K7	34		2	Bushing
K11,K1235			4	Knob - M12-1.75 Thru
K10	36		2	Clip-Mount-Tie Down
K15	37		1	Wheel, Roller
K7	38		2	Bearing, Flange
K9	39		1	Brush Plate Assy
K8	40		1	Brush Plate Assy
K3	41		2	Up Stop Mount
K11,K1242			4	Knob
K15	43		1	Pin
	44	1450452000	1	Nut Lock Hex M8 Low Ss Iso10511
K10	45		2	Nut Lock Hex M8 Ss Iso7040

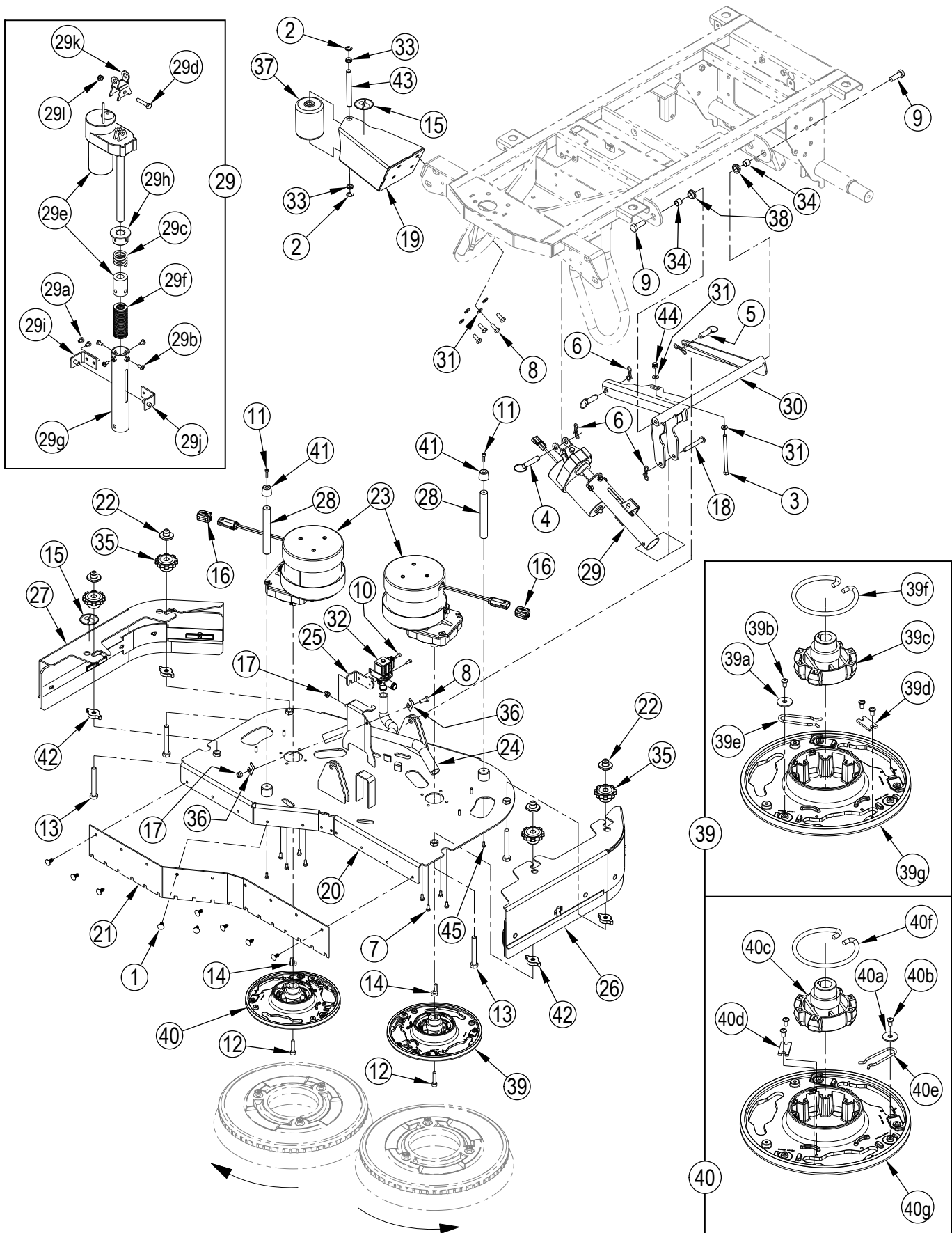
Service Kits

K3	56117473	1	Up Stop Kit
K4	56117898	1	Solenoid Valve Kit
K5	56117908	1	Motor Kit
K6	56117909	1	Disk Deck Actuator Kit
K7	56117911	1	Deck Linkage Kit
K8	56117917	1	Right Brush Plate Kit
K9	56117918	1	Left Brush Plate Kit
K10	56120321	1	28 Disc Deck Weldment Kit
K11	56120322	1	28 Disc Right Skirt Kit
K12	56120323	1	28D/28R Left Skirt Kit
K13	56120324	1	28D Click On Kit
K14	56120325	1	Front Blade Kit
K15	56120326	1	28D/28R Roller Kit
K16	56118048	1	Spring Housing Kit-Actuator

[] = Not Shown

= Revised or new since last update

SCRUB SYSTEM-DISC-DECK ASSEMBLY-34D



SCRUB SYSTEM-DISC-DECK ASSEMBLY-34D

Kit	Item	Ref. No.	Qty	Description
K8,K11	1		9	Rivet, Nylon Tree Push-In (.25)
K10,K16	2		2	Ring, Ret Ext Type E 0.50 Dia
	3	56003462	1	Scr-Hex Ss M8-1.25 X 120mm
K5	4		1	Pin, Ring .50 X 1.63
K7	5		2	Pin, Ring .500 X 1.18
K5,K7	6		4	Pin-Bow-Tie Cot 7/16-1/2x.091
K4,K8	7		8	Scr Hex M6x12 Ss W/Thd Lck
K8,K10	8		5	Scr Hex M8x20 Ss W/Thd Lck
K7	9		2	Scr Hex M12x35 Ss W/Thd Lck
K3	10		2	Scr Trx M5x12 Skt Ss W/Thd Lck
K2	11		2	Scr Trx M5x20 Skt Ss W/Thd Lck
K4,K8	12		2	Scr Trx M8x35 Skt Ss W/Thd Lck
K12,K13				
K6,K8	13		4	Scr Hex M12x90 Ss Iso4017
K9				
K4,K8, 14#			2	Key Assembly Weldment
K12,K13				
K9	15		2	Decal, No Step
	16	56115456	2	Ferrite Bead
K8	17		2	Nut Lock Hex M8 Ss Iso7040
K5,K7	18		1	Pin-Clevis 10x70 Iso2341-B
K10	19		1	Roller Weldment
K8	20		1	Scrub Deck Weldment-34d
K11	21		1	Blade-Front-34d
K6,K9	22	56117320-SP	4	Cap-Side Skirt Holder
K4	23		2	Motor-36vdc-250rpm-1hp (M33, M41)
K4,K8	[]		1	Key, Square 1.25 X 1.44
K12,K13				
	24	56117333-SP	1	Hose-Solution Feed Disc-28/34
K3	25	56117455-SP	1	Plate-Valve
K6	26		1	Left Side Skirt Assy-34d (Pages 48-49)
K9	27		1	Right Side Skirt Assy-34d(Pages 48-49)
K2	28		2	Rod-Up Stop-20mm-148mm
K5	29		1	Actuator Assy-Disk Deck (M27)
K17	29a	56009019	2	Scr, Hex Thd Form 1/4-20 X .38
K17	29b	56009062	4	Scr, Pan Phil Thd Form 1/4-20 X .50
K17	29c	56116848	1	Spring-Compression 1.40x1.40in
	29d	56116853	1	Screw M8x40 Uni5739 Ss
	29e	56117499-SP	1	Actuator-Deck
K17	29f	56118039	1	Spring-Compression-1.44x3.50in
K17	29g	56118194	1	Spring Housing Weldment
K17	29h	56396268	1	Spring Housing Guide
K17	29i	56420019	1	Nut Retainer
K17	29j	56420020	1	Nut Retainer
	29k	56601328	1	Yoke, Actuator
	29l	1450452000	1	Nut Lock Hex M8 Low Ss Iso10511

Kit	Item	Ref. No.	Qty	Description
K7	30		1	Deck Linkage Weldment
K10	31#		6	Washer Plain M8x16 Ss Iso7089
K3	32		1	Valve-Solenoid-36vdc (L7)
K10,K16	33		2	Bearing, Flange
K7	34		2	Bushing
K6,K9	35		4	Knob - M12-1.75 Thru
K8	36		2	Clip-Mount-Tie Down
K10,K16	37		1	Wheel, Roller
K7	38		2	Bearing, Flange
K13	39		1	Brush Plate Assy
	39a	56009002	1	Wsh, Fit .266 X .906 X .060
	39b	56009247	3	Scr.Pan Phil Plastite
	39c	56112521	1	Gimbal-Collar Assembly
	39d	56366455	1	Plate, Stop
	39e	56366463	1	Spring Retainer
	39f	56601056	1	Spring, Brush Holder
	39g	56601118	1	Brush Plate
K12	40		1	Brush Plate Assy
	40a	56009002	1	Wsh, Fit .266 X .906 X .060
	40b	56009247	3	Scr.Pan Phil Plastite
	40c	56112521	1	Gimbal-Collar Assembly
	40d	56366455	1	Plate, Stop
	40e	56366463	1	Spring Retainer
	40f	56601056	1	Spring, Brush Holder
	40g	56601118	1	Brush Plate
K2	41		2	Up Stop Mount
K6,K9	42		4	Knob
K10,K16	43		1	Pin
	44	1450452000	1	Nut Lock Hex M8 Low Ss Iso10511
K2,K8	45		2	Screw M5x12 Hex Hd F/Thd Ss

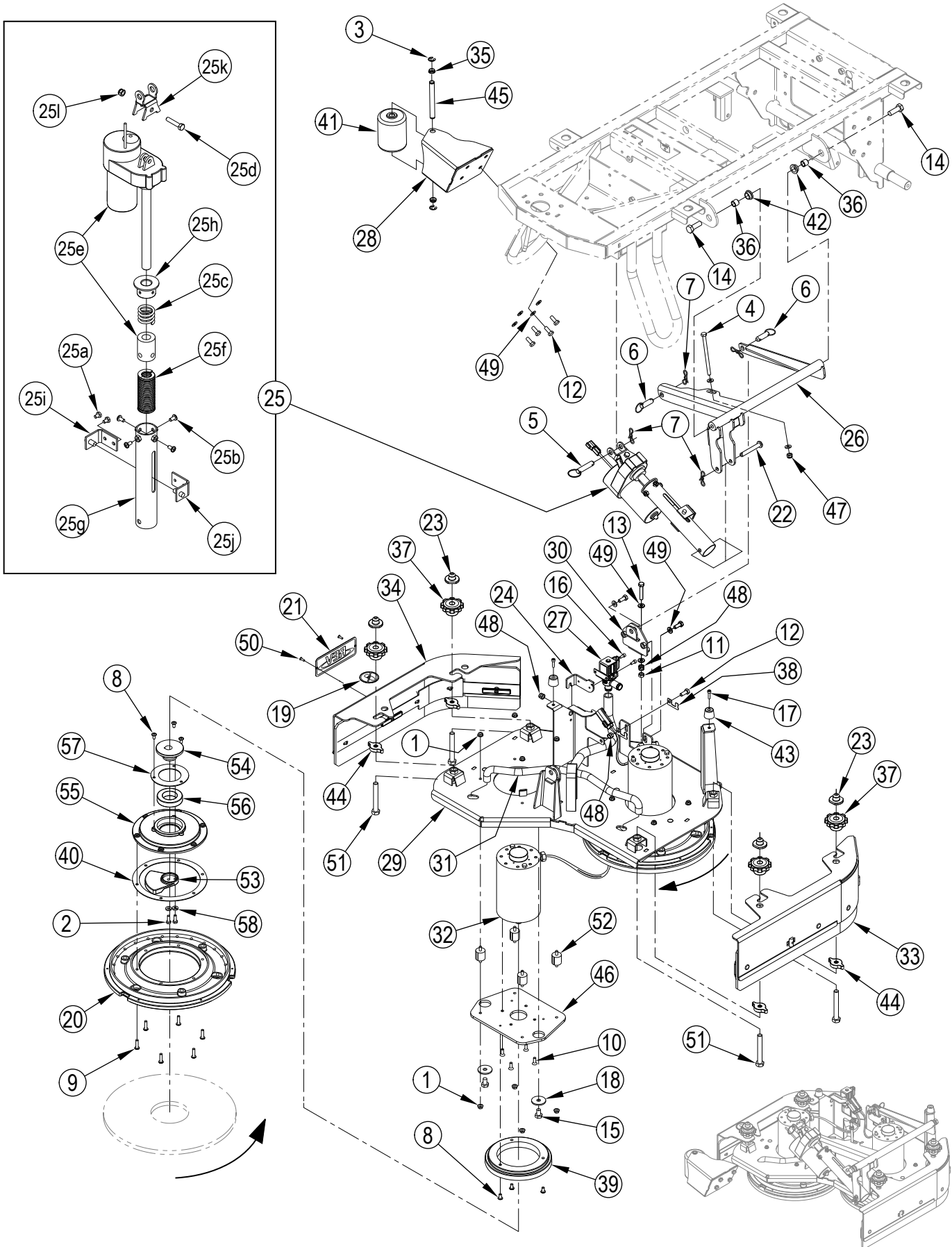
Service Kits

K2	56117473	1	Up Stop Kit
K3	56117898	1	Solenoid Valve Kit
K4	56117908	1	Motor Kit
K5	56117909	1	Disk Deck Actuator Kit
K6	56117910	1	Left Skirt Kit
K7	56117911	1	Deck Linkage Kit
K8	56117912	1	Disc Deck Weldment Kit
K9	56117913	1	Disc Right Skirt Kit
K10	56117915	1	Roller Kit
K11	56117916	1	Front Blade Kit
K12	56117917	1	Right Brush Plate Kit
K13	56117918	1	Left Brush Plate Kit
K14	56117214	1	Rh Strap Kit-Disk
K15	56117219	1	Lh Strap Kit-Disk
K16	56117903	1	Roller Wheel Kit
K17	56118048	1	Spring Housing Kit-Actuator

[] = Not Shown

= Revised or new since last update

SCRUB SYSTEM-REV-DECK ASSEMBLY



SCRUB SYSTEM-REV-DECK ASSEMBLY

Kit	Item	Ref. No.	Qty	Description
K16	1		16	Nut, Hex Flange Loc
	2	56003221	4	Scr-Hex Loc Ss 1/4-20 X .75
K11	3		2	Ring, Ret Ext Type E 0.50 Dia
	4	56003462	1	Scr-Hex Ss M8-1.25 X 120mm
K8	5		1	Pin, Ring .50 X 1.63
K9	6		2	Pin, Ring .500 X 1.18
K8,K9	7		4	Pin-Bow-Tie Cot 7/16-1/2x.091
K17,K18	8		12	Scr-Pan Phil Loc Ss 1/4-20 X .50
K6	9		12	Scr-Pan Phil Loc Ss 1/4-20 X 1.00
K15	10		8	Scr-Flt Phil Loc Ss 1/4-20x.75
K13	11		1	Nut, Hex Ss Metric
K11,K13	12		7	Scr Hex M8x20 Ss W/Thd Lck
K13	13		1	Scr Hex M8x45 Ss W/Thd Lck
K9	14		2	Scr Hex M12x35 Ss W/Thd Lck
	15	56004125	4	Scr Hex M10x16 Ss W/Thd Lck
K7	16		2	Scr Trx M5x12 Skt Ss W/Thd Lck
K14	17		2	Scr Trx M5x20 Skt Ss W/Thd Lck
	18	1451208000	4	Washer Plain M10 X 40 ISO7093
K10	19		1	Decal, No Step
K6	20		2	Pad Driver Assy
K10	21		1	Decal-Rev Embossed
K8,K9	22		1	Pin-Clevis 10x70 Iso2341-B
K10,K12	23		4	Cap-Side Skirt Holder
K7	24		1	Plate-Valve
K8	25		1	Actuator Assy-Disk Deck (M27)
K19	25a	56009019	2	Scr, Hex Thd Form 1/4-20 X .38
K19	25b	56009062	4	Scr, Pan Phil Thd Form 1/4-20 X .50
K19	25c	56116848	1	Spring-Compression 1.40x1.40in
	25d	56116853	1	Screw M8x40 Uni5739 Ss
	25e	56117499-SP	1	Actuator-Deck
K19	25f	56118039	1	Spring-Compression-1.44x3.50in
K19	25g	56118194	1	Spring Housing Weldment
K19	25h	56396268	1	Spring Housing Guide
K19	25i	56420019	1	Nut Retainer
K19	25j	56420020	1	Nut Retainer
	25k	56601328	1	Yoke, Actuator
	25l	1450452000	1	Nut Lock Hex M8 Low Ss Iso10511
K9	26		1	Deck Linkage Weldment
K7	27		1	Valve-Solenoid-36vdc (L7)
K11	28		1	Roller Weldment-28d
K13	29		1	Scrub Deck Weldment-Rev

Kit	Item	Ref. No.	Qty	Description
K13	30		1	Bracket Weldment
	31	56120147	1	Hose-Solution Feed-Rev
K15	32		2	Motor-36vdc-2200rpm-0.75hp (M33, M41)
K12	33		1	Left Side Skirt Assy-28d (Pages 46-47)
K10	34		1	Right Side Skirt Assy-28d (Pages 46-47)
K11	35		2	Bearing, Flange
K9	36		2	Bushing
K10,K12	37		4	Knob - M12-1.75 Thru
K13	38		2	Clip-Mount-Tie Down
K17	39		2	Shield Splash
K18	40		2	Gasket Driver
K11	41		1	Wheel, Roller
K9	42		2	Bearing, Flange
K14	43		2	Up Stop Mount
K10,K12	44		4	Knob
K11	45		1	Pin
	46	56601815	2	Motor Plate
	47	1450452000	1	Nut Lock Hex M8 Low Ss Iso10511
K13	48		3	Nut Lock Hex M8 Ss Iso7040
K11,K13	49#		10	Washer Plain M8x16 Ss Iso7089
K10	50		2	Rivet, 0.156 Dia X 1/2
K10,K12	51		4	Scr Hex M12x90 Ss Iso4017
K13				
K16	52		8	Isolator-40 Duro 1/4-20
	53	56390002	2	Weight Counter
	54	56390021	2	Eccentric
K18	55		2	Driver Motor
K18	56		2	Bearing
K18	57		2	Retainer, Bearing
	58	2-00-04687	4	Lk Wash Hel..25scr Med Sec S/S

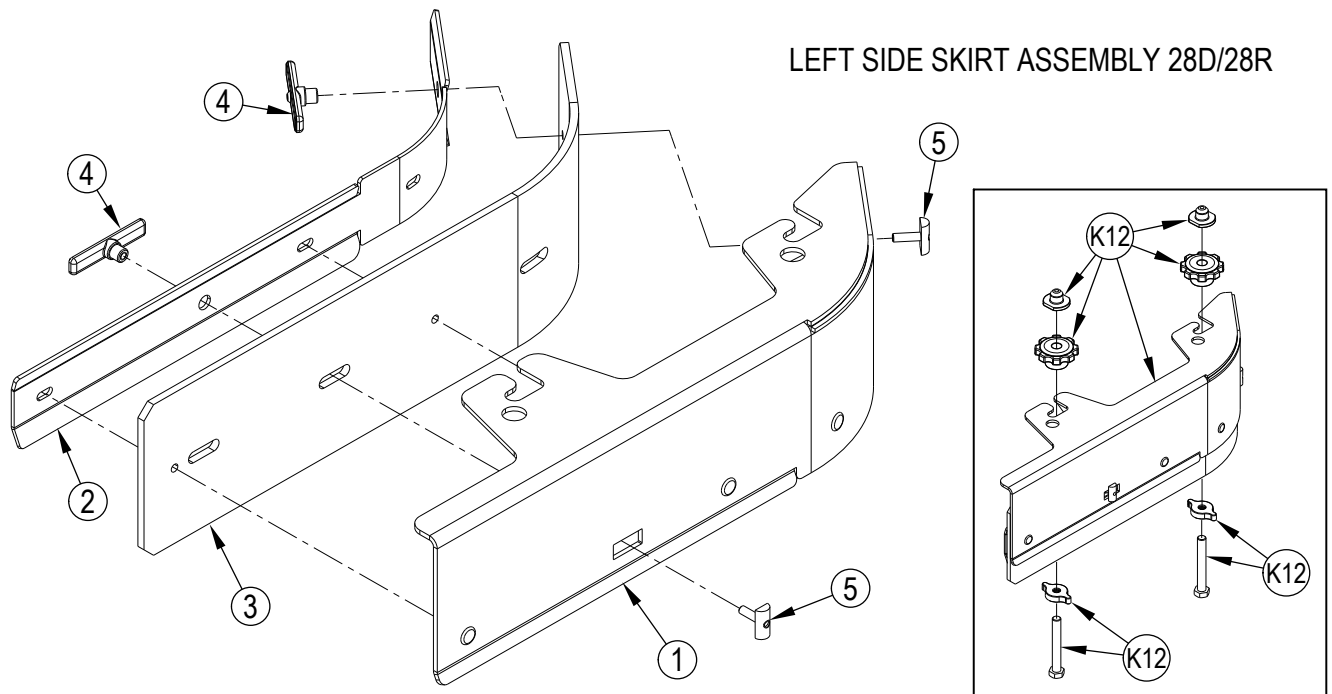
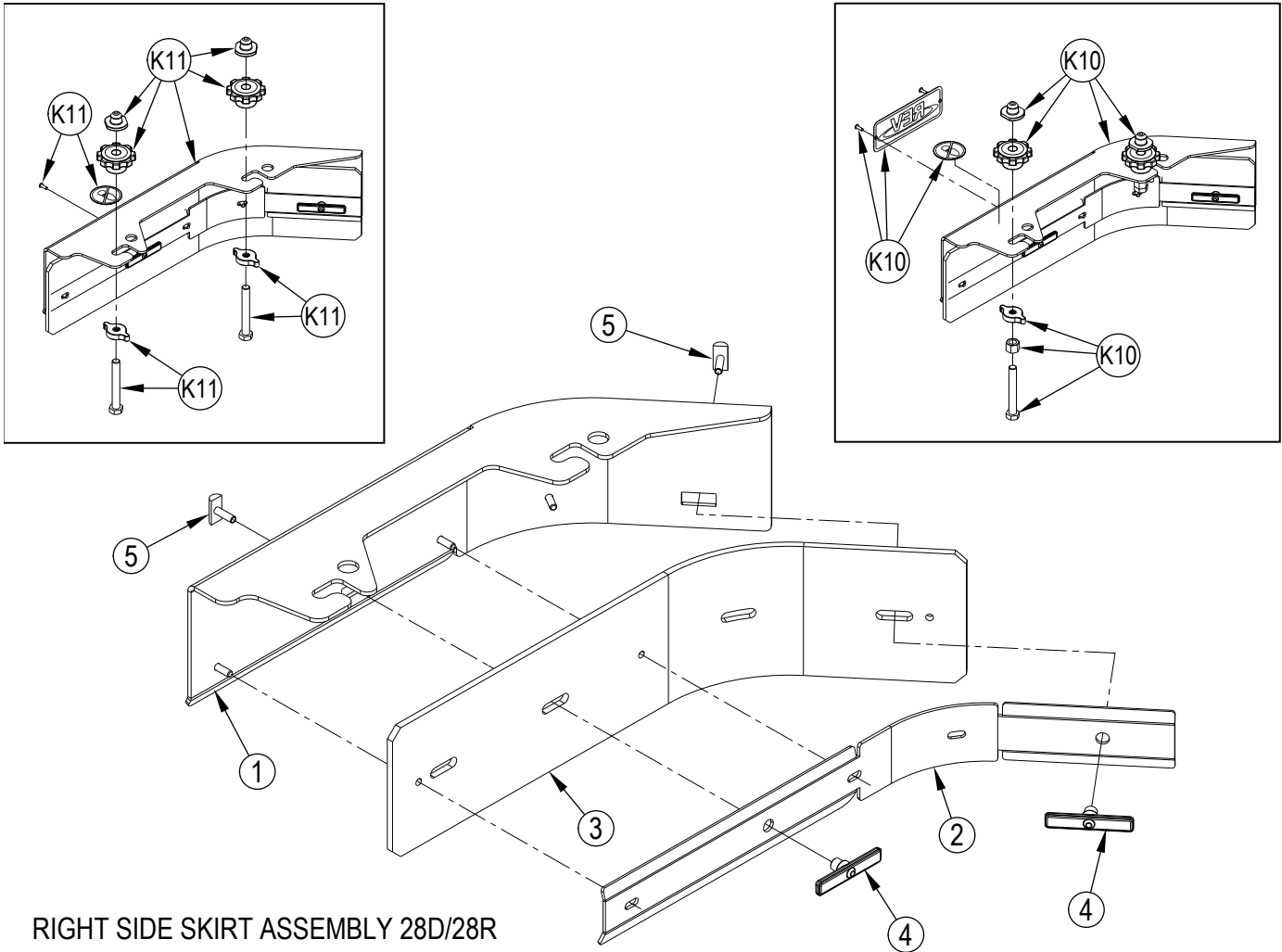
Service Kits

[K3]	56112746	1	Velcro 2 Sided 14
[K4]	56112751	1	Kit-Pad Driver Hook 14
[K5]	9096984000	1	Kit-Eccentric
K6	56112744	1	Kit-Pad Drivers
K7	56117898	1	Solenoid Valve Kit
K8	56117909	1	Disk Deck Actuator Kit
K9	56117911	1	Deck Linkage Kit
K10	56120350	1	28R Right Skirt Kit
K11	56120326	1	28D/28R Roller Kit
K12	56120323	1	28D/28R Left Skirt Kit
K13	56120327	1	Rev Deck Weldment Kit
K14	56120328	1	28R Up Stop Kit
K15	56120329	1	Rev Scrub Motor Kit
K16	56120330	1	Isolator Kit
K17	56120331	1	Splash Guard Kit
K18	56120332	1	Driver Kit
K19	56118048	1	Spring Housing Kit-Actuator

[] = Not Shown

= Revised or new since last update

SCRUB SYSTEM-DISC-REV-SIDE SKIRT ASSEMBLIES-28D



SCRUB SYSTEM-DISC-REV-SIDE SKIRT ASSEMBLIES-28D

Kit	Item	Ref. No.	Qty	Description
K1			1	Disc Right Skirt Kit
	1	56120285	1	Rt Fixed Side Blade Weldt-28d
K11	2		1	Strap-Right-34d
	3	56117627	1	Blade-Deck-34d-Linatex
K11	4		2	Thumb Nut
	5	56413850	2	Skirt Retainer Assy

Service Kits

K1	56120322	1	Disc Right Skirt Kit
K10	56120350		28R Right Skirt Kit
K11	56117214	1	Rh Strap Kit-Disk

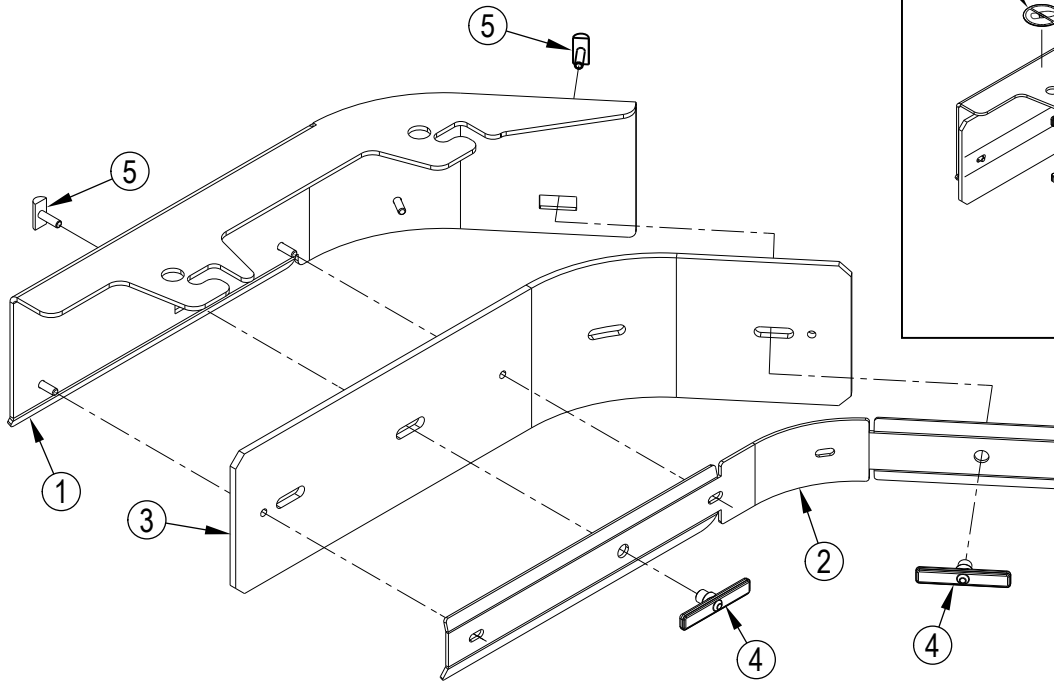
Kit	Item	Ref. No.	Qty	Description
K2			1	Left Skirt Kit
	1	56120282	1	Lt Fixed Side Blade Weldt-28d
K12	2		1	Strap-Left-34d
	3	56117627	1	Blade-Deck-34d-Linatex
K12	4		2	Thumb Nut
	5	56413850	2	Skirt Retainer Assy

Service Kits

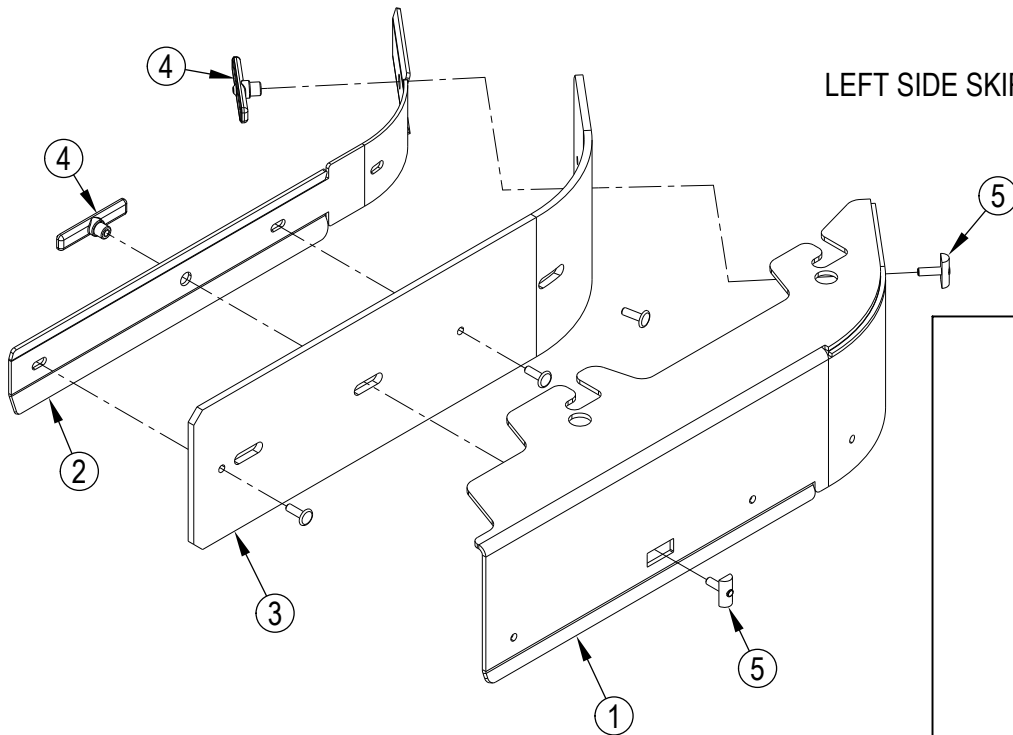
K2	56120323	1	28D/28R Left Skirt Kit
K12	56117219	1	Lh Strap Kit-Disk

SCRUB SYSTEM-DISC-SIDE SKIRT ASSEMBLIES-34D

RIGHT SIDE SKIRT ASSEMBLY 34D



LEFT SIDE SKIRT ASSEMBLY 34D



SCRUB SYSTEM-DISC-SIDE SKIRT ASSEMBLIES-34D

<u>Kit</u>	<u>Item</u>	<u>Ref. No.</u>	<u>Qty</u>	<u>Description</u>
K9			1	Disc Right Skirt Kit
	1	56117497	1	Rt Fixed Side Blade Weldt-34d
K14	2		1	Strap-Right-34d
	3	56117627	1	Blade-Deck-34d-Linatex
K14	4		2	Thumb Nut
	5	56413850	2	Skirt Retainer Assy

Service Kits

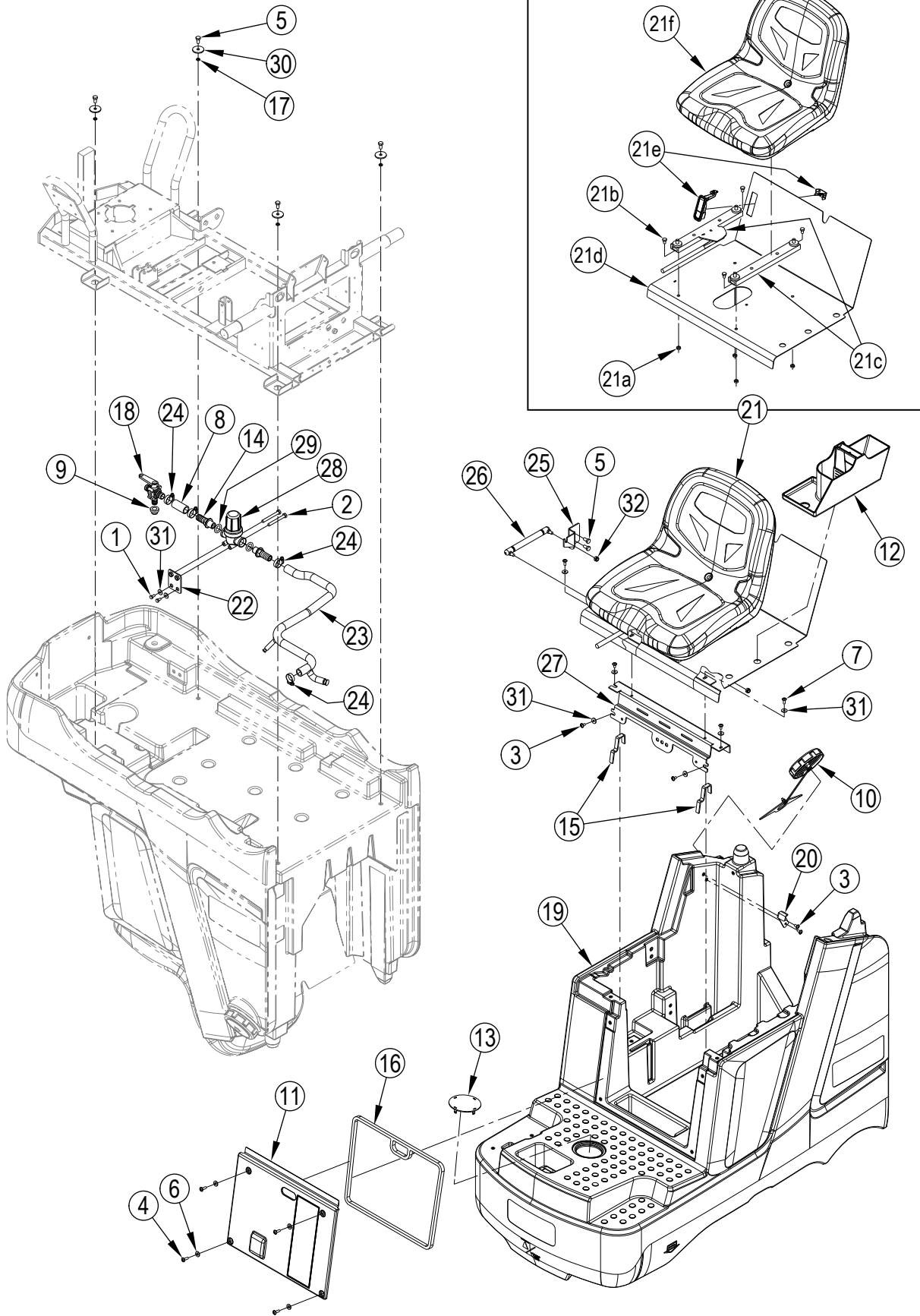
K9	56117913	1	Disc Right Skirt Kit
K14	56117214	1	Rh Strap Kit-Disk

<u>Kit</u>	<u>Item</u>	<u>Ref. No.</u>	<u>Qty</u>	<u>Description</u>
K6			1	Left Skirt Kit
	1	56117494	1	Lt Fixed Side Blade Weldt-34d
K15	2		1	Strap-Left-34d
	3	56117627	1	Blade-Deck-34d-Linatex
K15	4		2	Thumb Nut
	5	56413850	2	Skirt Retainer Assy

Service Kits

K6	56117910	1	Left Skirt Kit
K15	56117219	1	Lh Strap Kit-Disk

SOLUTION SYSTEM



SOLUTION SYSTEM

Kit	Item	Ref. No.	Qty	Description
K3	1		2	Scr Hex M6x12 Ss W/Thd Lck
K3	2		2	Scr Hex M8x70 Ss Wthd Lck
K5	3		6	Scr Trx M6x12 W/Thd Lck Blk
K4	4		4	Scr Trx M6x20 W/Thd Lck Blk
K7	5		6	Scr Hex M8x16 Ss W/Thd Lck
	6	56004155	4	Wshr-17odx8idx1.3 Din125a Blk
K5	7		2	Scr Trx M6x16 W/Thd Lck Blk
K1	8		1	Hose-20x26x52mm
K7	9		1	Grommet-.59x.78x.62
	10	56116763	1	Solution Cap Assembly
K4	11		1	Cover-Electrical Panel
	12	56117457	1	Box-Storage
	13	56412263	1	Cap-Spindle
K2	14		2	Barb Hose Straight D.19.8 G1/2
K5	15		2	Gasket-Cross Bar
K4	16		1	Gasket-Electrical Cover
K7	17		4	Spacer-Chassis
K1	18		1	Valve-Ball-5/8x3/4in Barb
K7	19		1	Tank-Solution
	20	56120094	1	Bracket-Seat Latch
	21#		1	Seat Assembly
	21a	33005533	4	Nut, Hex Thin M8
	21b	56004086	4	Scr Hex M8x12 Ss W/Thd Lck
	21c	56109300	1	Slide Kit, No Studs
	21d	56120098	1	Seat Mount Weldment
	21e	56120154	1	Latch-Button Style Release
	21f	56394342	1	Seat-Mid Back-11.25in Mount
	22	56120100	1	Bracket-Filter Mount
K8	23		1	Manifold Hose Assembly
K1	24		4	Hose Clamp-Spring Insert-16/27
K8	25	56120176	1	Bracket-Gas Strut
K9	26		1	Spring-Gas
K5	27		1	Bracket-Seat Mount
K2	28		1	Filter Water
K2	29		2	O-Ring 5x20 Metric Nbr 70sh
K7	30		4	Washer Plain M8x38x3 Galv.
K3,K5	31		8	Washer Plain M6x18 Iso7093
K9	32		2	Nut Lock Hex M8 Low Ss Iso10511

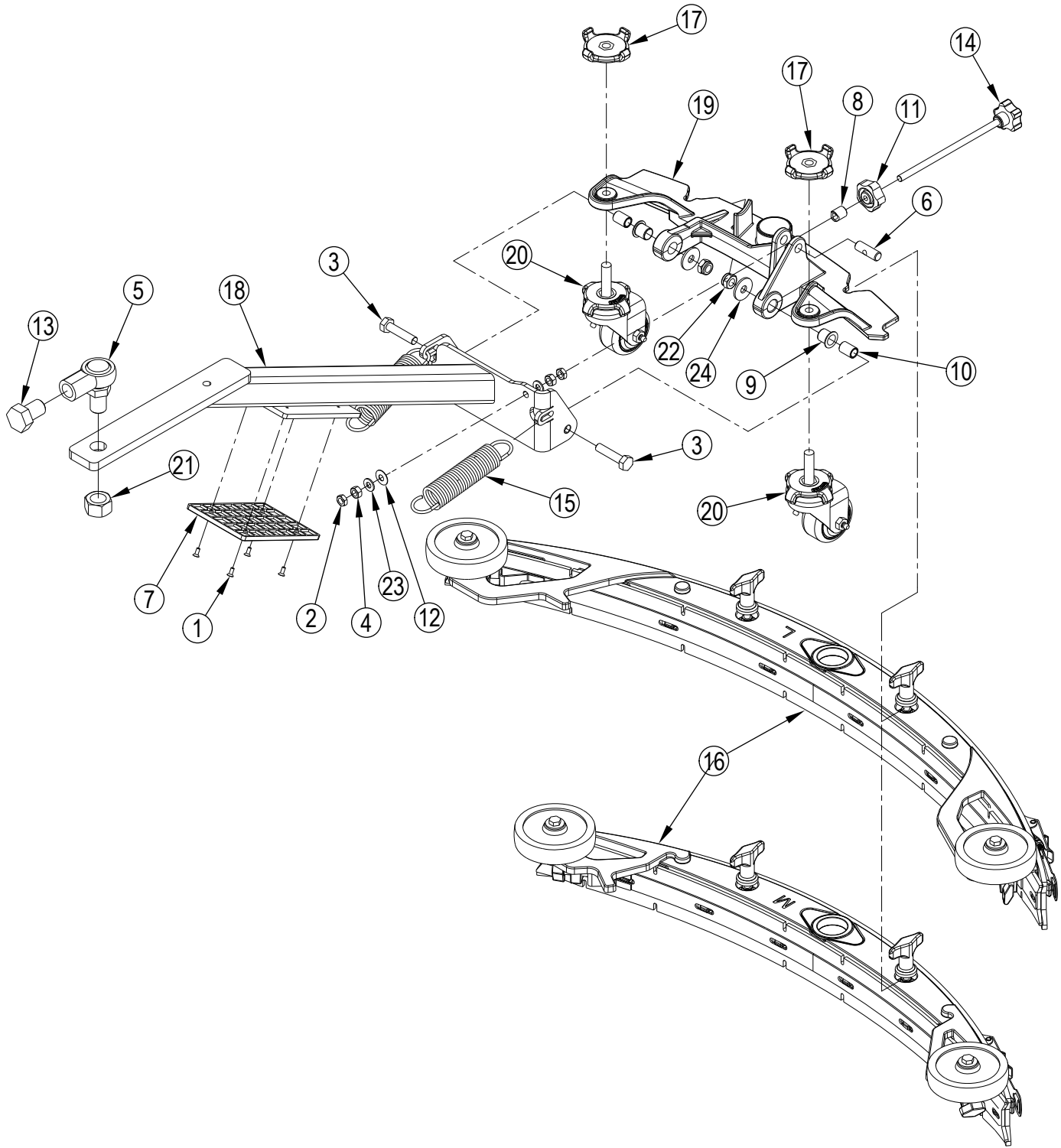
[] = Not Shown

= Revised or new since last update

Service Kits

K1	56117925	1	Ball Valve Kit
K2	56117926	1	Water Filter Kit
K3	56117927	1	Filter Mount Kit
K4	56117929	1	Cover Gasket Kit
K5	56117930	1	Seat Mount Kit
K7	56120311	1	Solution Tank Kit
K8	56120312	1	Manifold Hose Kit
K9	56120189	1	Gas Strut Kit

SQUEEGEE SYSTEM



SQUEEGEE SYSTEM

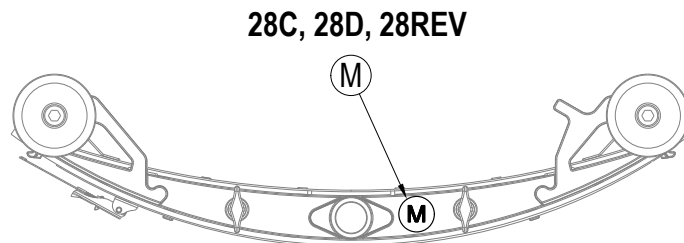
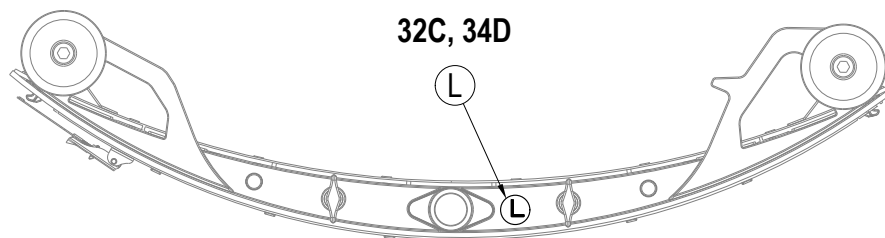
Kit	Item	Ref. No.	Qty	Description
K2	1		4	Screw M4x10 C/Sunk Flat Hd Hex Iso10642
	2	33005533	2	Nut, Hex Thin M8
	3	33022204	2	Screw M10x45 Hex Hd F/Thd Ss Iso4017
	4	56003989	2	Nut, Hex Ss Metric
K1	5		1	Rod End-20mm
	6	56116397	1	Pin-Squeegee Tilt
K2	7		1	Wear Plate-Squeegee
	8	56116407	1	Spacer-Squeegee Tilt
	9	56116487	2	Bearing-Flange-14x16x17mm
	10	56116488	2	Bushing
	11	56116552	1	Knob-M8-Lobe Short
	12	56116769	1	Washer-Bevel-8.2x20x0.7x1.35mm
K1	13		1	Screw M20-1.5x30 Din961 8.8
	14#	56116894	1	Tilt Rod Assembly
	15	56116974	2	Spring-Extension
	16	56117300	1	Squeegee Assembly-L
32c Cylindrical Model, 34d Disc Model Note 1				
16#	56120135-SP	1	Squeegee Assembly-M	
28c Cylindrical Model, 28d Disc Model, 28REV Note 1				
17#	56117302-SP	2	Knob-Squeegee-M12	
18	56117303	1	Squeegee Arm Weldment	
19	56117306	1	Mount-Squeegee	
20#	56117356-SP	2	Caster Assembly	
K1	21		1	Nut-Hex M20x1.5 Iso8673 8.8
	22	9096013000	2	Nut Lock Hex M10 Low Ss Iso10511
	23	9100001351	2	Washer Plain M8 Iso7089 Ss 10 Pcs Set
	24	L08812336	2	Washer Flat XI 10x30x2.5-Ss

Service Kits

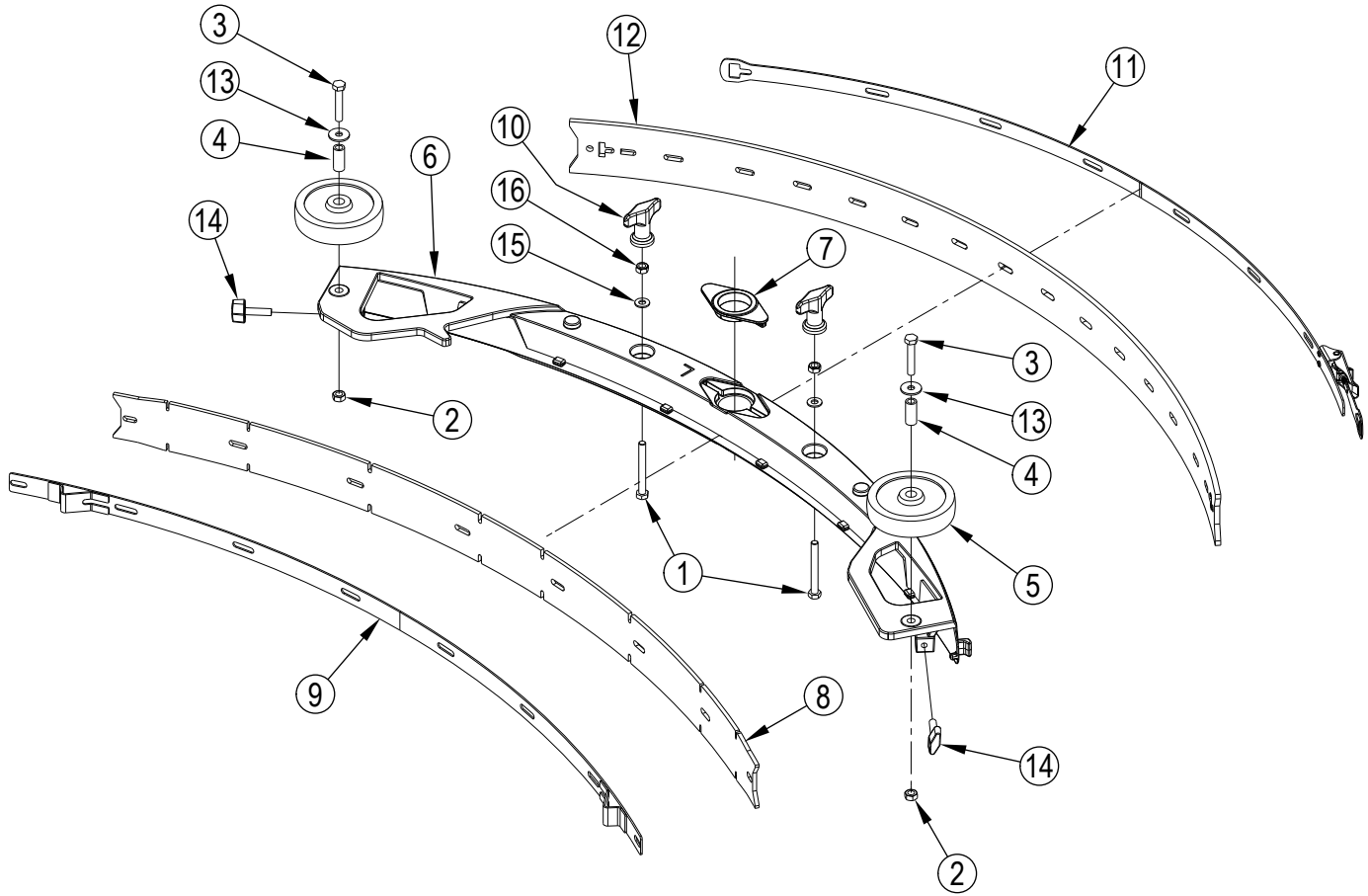
K1	56117988	1	Rod End Kit
K2	56116895	1	Squeegee Wear Plate Kit

= Revised or new since last update

NOTE 1: Includes Linard and Linatex Rubber Blades



SCRUB SYSTEM-SQUEEGEE ASSEMBLY-L



SQUEEGEE SYSTEM-SQUEEGEE ASSEMBLY L

Kit	Item	Ref. No.	Qty	Description
	1	56003649	2	Scr,Hex Thd To Hd Ss
	2	56003989	2	Nut, Hex Ss Metric
	3	56004089	2	Scr Hex M8x45 Ss W/Thd Lck
	4	56109581	2	Bushing
	5	56111639	2	Wheel 4.00 Dia.
	6#	56117301-SP	1	Casting-Squeegee-L
	7	56117305	1	Seal-Squeegee
K1	8		1	Blade-Squeegee Fr-Linard-L
K2	*		1	Blade-Squeegee FR-PU-L
K3	*		1	Blade-Squeegee FR-Gum 34
K4	*		1	Blade-Squeegee FR-Primo-L
	9	56120233	1	Front Strap Weldment-34
	10	56370711	2	Nut Thumb
	11	56382698	1	Clamp-Band 34 In Assy
K1	12		1	Blade-Squeegee Rr-Linatex 34
K2	*		1	Blade-Squeegee RR-PU-L
K3	*		1	Blade-Squeegee RR-Gum 34
K4	*		1	Blade-Squeegee RR-Primo-L
	13	1466482000	2	Washer Plain M8x24 Ss Iso7093 10 Pcs Set
	14	9100000791	2	Knob M8x30 Thd Stud Ss Sip
	15	9100001351	2	Washer Plain M8 Iso7089 Ss 10 Pcs Set
	16	L08603988	2	Nut Lock Hex 5/16 Unc Low Ss

Service Kits

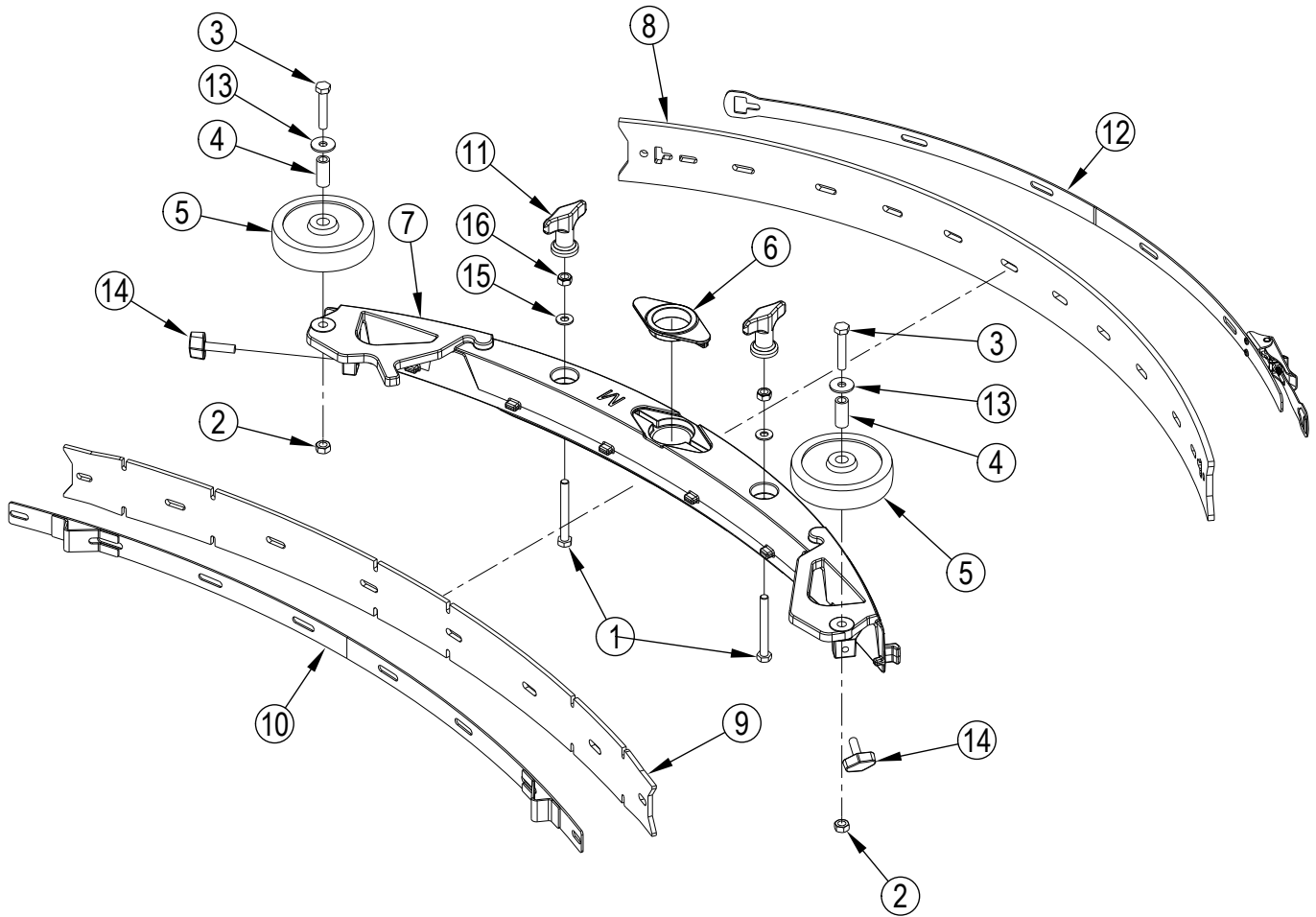
K1	56120338	1	Squeegee Blade Kit-Linatex L
K2	56120340	1	Squeegee Blade Kit-PU L
K3	56382738	1	Squeegee Blade Kit-Gum-L
K4	56120339	1	Squeegee Blade Kit-Primo-L

* = Optional, Not Included

= Revised or new since last update

NOTE 1: All squeegee blade kits include both front and rear squeegee blades.

SCRUB SYSTEM-SQUEEGEE ASSEMBLY-M



SQUEEGEE SYSTEM-SQUEEGEE ASSEMBLY M

Kit	Item	Ref. No.	Qty	Description
	1	56003649	2	Scr,Hex Thd To Hd Ss
	2	56003989	2	Nut, Hex Ss Metric
	3	56004089	2	Scr Hex M8x45 Ss W/Thd Lck
	4	56109581	2	Bushing
	5	56111639	2	Wheel 4.00 Dia.
	6	56117305	1	Seal-Squeegee
	7	56120136	1	Squeegee-Casting-M
K1	8		1	Blade-Squeegee Rr-Linatex 28
K2	*		1	Blade-Squeegee RR-PU-M
K3	*		1	Blade-Squeegee RR-Gum 28
K4	*		1	Blade-Squeegee RR-Primo-M
K1	9		1	Blade-Squeegee Fr-Linard-M
K2	*		1	Blade-Squeegee FR-PU-M
K3	*		1	Blade-Squeegee FR-Gum 28
K4	*		1	Blade-Squeegee FR-Primo-M
	10	56120236	1	Front Strap Weldment-28
	11	56370711	2	Nut Thumb
	12	56382697	1	Clamp-Band 28 In Assy
	13	1466482000	2	Washer Plain M8x24 Ss Iso7093 10 Pcs Set
	14	9100000791	2	Knob M8x30 Thd Stud Ss Sip
	15	9100001351	2	Washer Plain M8 Iso7089 Ss 10 Pcs Set
	16	L08603988	2	Nut Lock Hex 5/16 Unc Low Ss

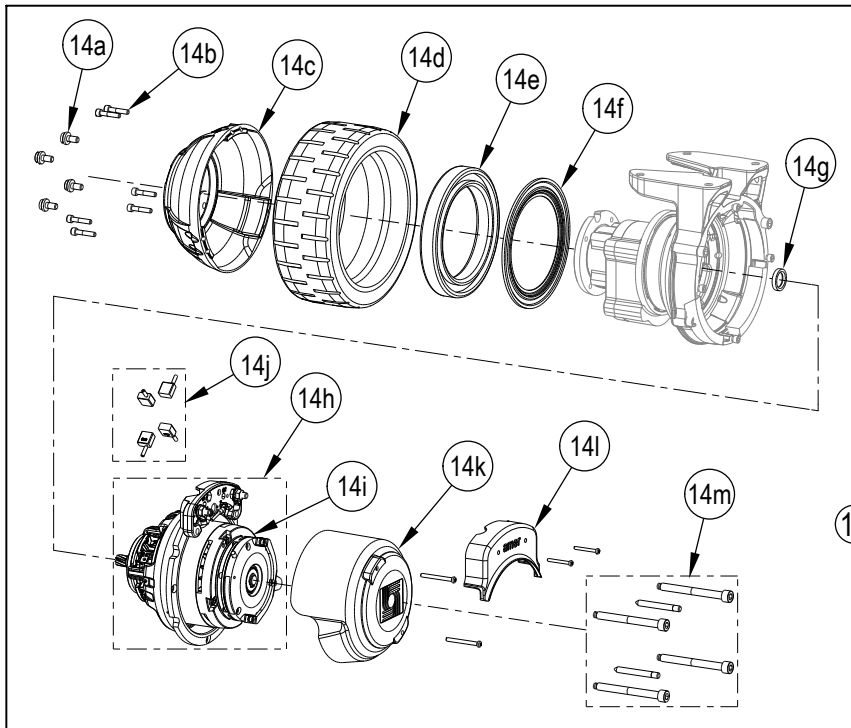
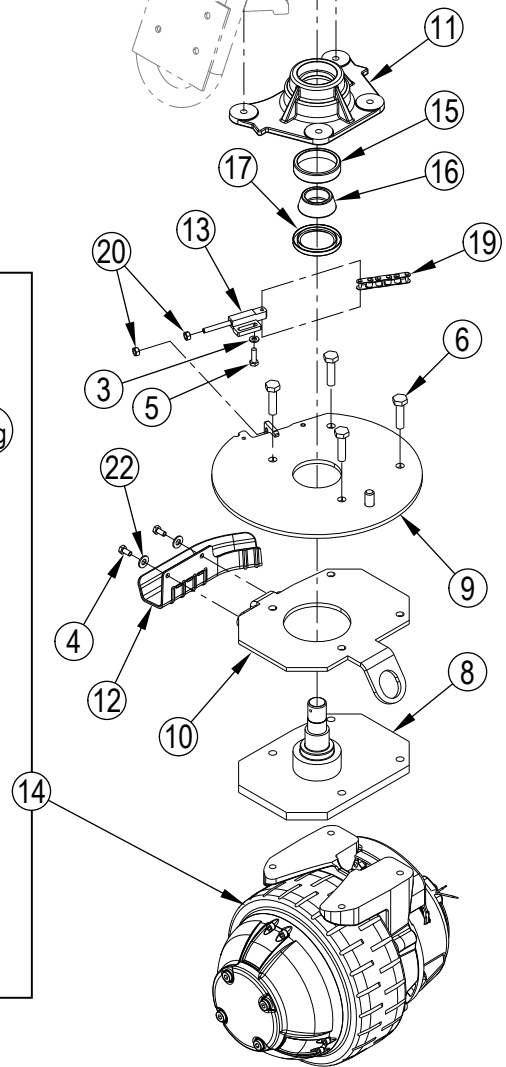
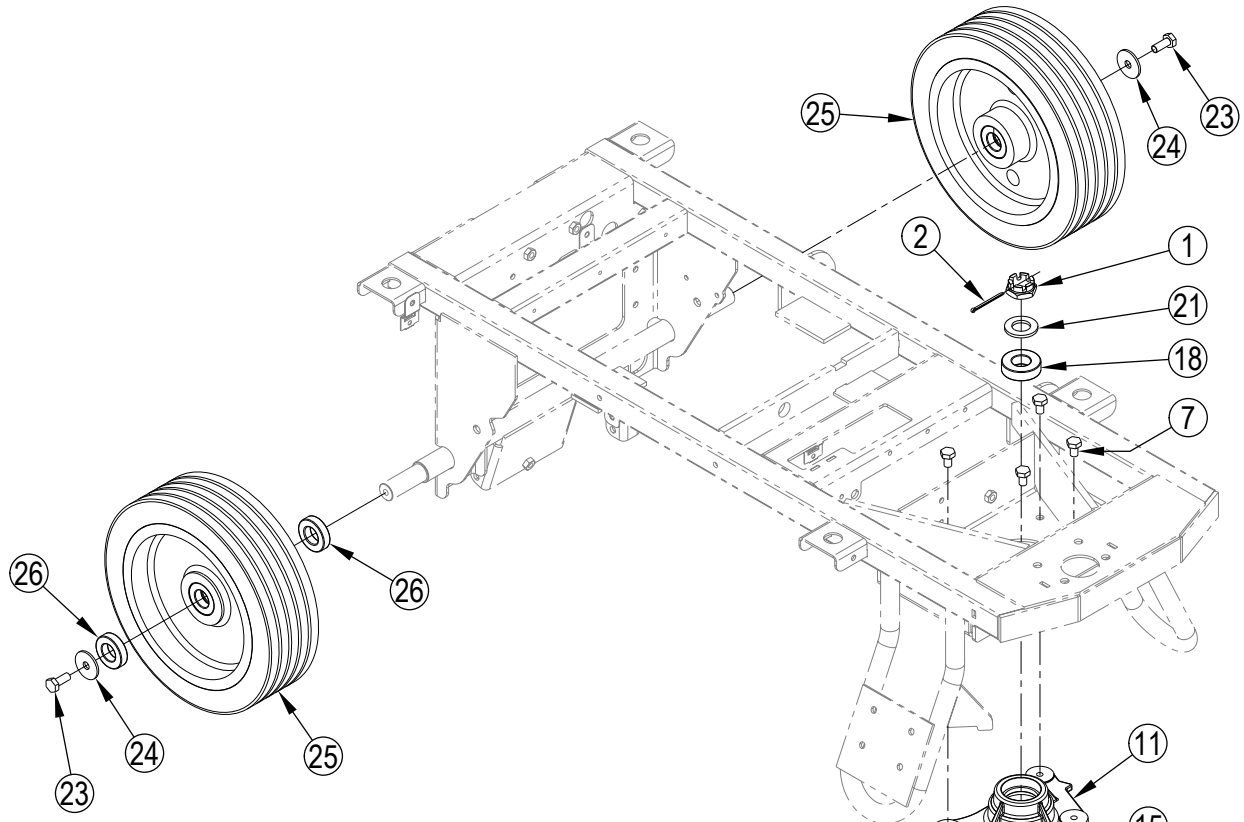
Service Kits

K1	56120334	1	Squeegee Blade Kit-Linatex-M
K2	56120336	1	Squeegee Blade Kit-PU-M
K3	56120335	1	Squeegee Blade Kit-Gum-M
K4	56120337	1	Squeegee Blade Kit-Primo-M

* = Optional, Not Included

NOTE 1: All squeegee blade kits include both front and rear squeegee blades.

REAR AND DRIVE WHEEL SYSTEM



REAR AND DRIVE WHEEL SYSTEM

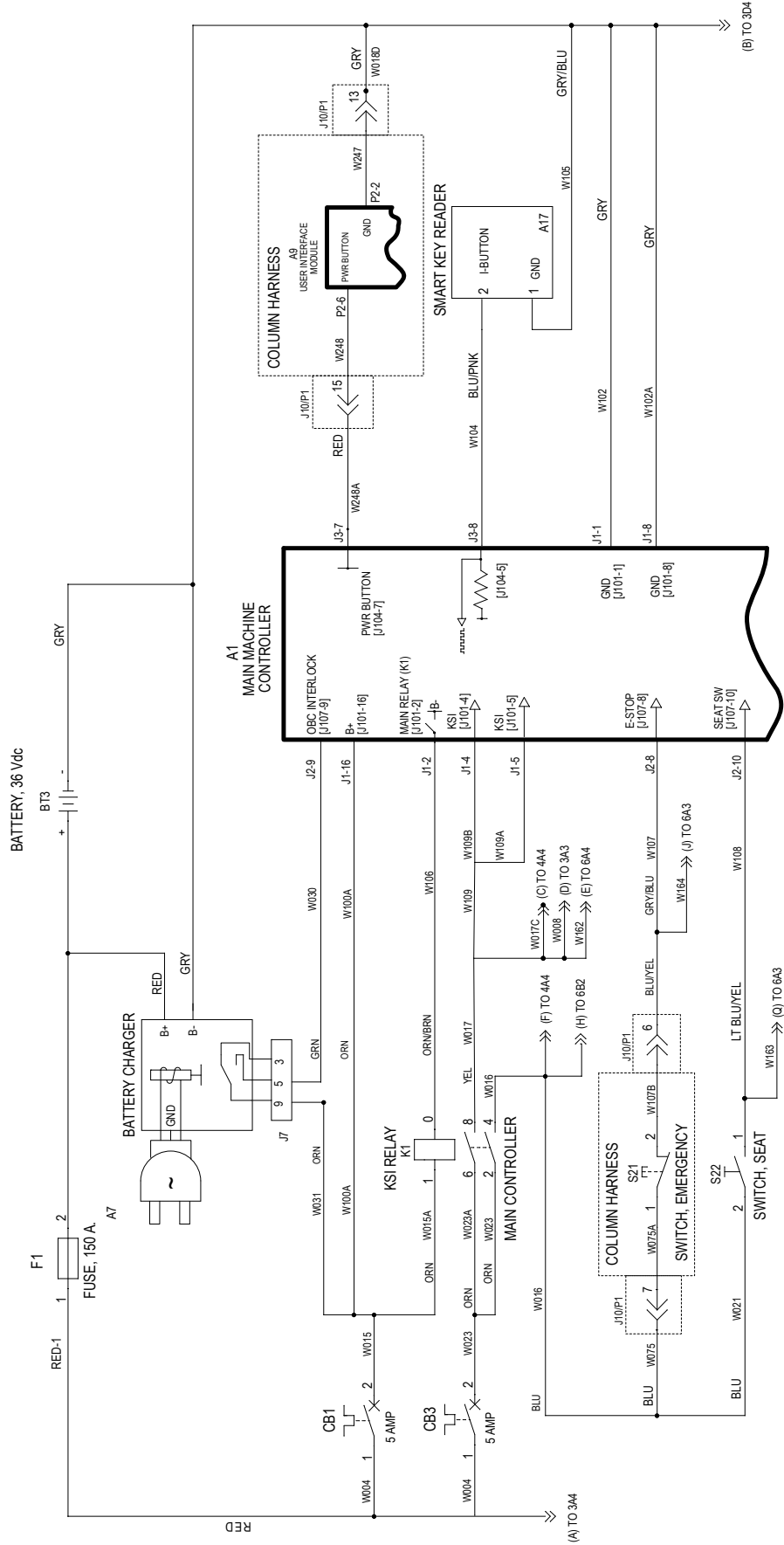
Kit	Item	Ref. No.	Qty	Description
	1	33005668	1	Nut Hex M24x2 Castle Low Din937
	2	33005782	1	Pin Cotter 3 X 50 Iso 1324
K3	3		1	Washer Plain M6x12.5x1.6 Ss Iso7093
	4	56004083	2	Scr Hex M6x12 Ss W/Thd Lck
K3	5		1	Scr Hex M6x20 Ss W/Thd Lck
	6	56004092	4	Scr Hex M10x40 Ss W/Thd Lck
	7	56004125	4	Scr Hex M10x16 Ss W/Thd Lck
	8	56117155	1	Spindle Weldment
	9	56117428	1	Steering Plate Weldment
	10	56117446	1	Plate-Tie Down
	11	56117558	1	Block Bearing
	12	56117791	1	Tray-Wire Harness
K3	13		1	Chain Tensioner Weldment
	14	56120105	1	Drive Wheel-36 Vdc-780w-Ip20
	14a	56120224	4	Screw-Aluminium Hub
	14b	56120225	6	Screw-Wheel
	14c	56120226	1	Aluminium Hub
	14d	56120227	1	Wheel-Poly-Red-250X90
	14e	56116809	1	Ball Bearing
	14f	56118197	1	Protection Ball Bearing
	14g	56412321	1	Motor Seal
	14h	56120265	1	Motor-36VDC-780W With Brake (M20)
	14i	56120266	1	Brake-Electromagnetic-Lever (Y4)
	14j	56120267	1	Brush Kit
	14k	56120268	1	Cover-Motor
	14l	56120269	1	Cover-Connection Box
	14m	56422174	1	Tire Puller Kit (Extractor + Guides)
	15	56158143	1	Bearing Cup
	16	56158151	1	Bearing Cone
	17	56171081	1	Seal-Shaft 1.750
	18	56378380	1	Bearing Ball
K3	19		1	Chain-Roller
K3	20		2	Nut Hex M6 Ss
	21	1461703000	1	Washer Plain M24x44 Iso7089
	22	9100001351	2	Washer Plain M8 Iso7089 Ss 10 Pcs Set
K1,K2	23		2	Scr Hex M10x25 Ss W/Thd Lck
K1,K2	24#		2	Wsh, Flt .406 x 1.5 x .1875
K1	25#		2	Wheel
K1,K2	26		2	Bearing-Ball

Service Kits

K1	56120307	1	Rear Wheel Kit
K2	56120308	1	Bearing Kit-Rear Wheel
K3	56117183	1	Chain Kit

= Revised or new since last update

LADDER DIAGRAM-1

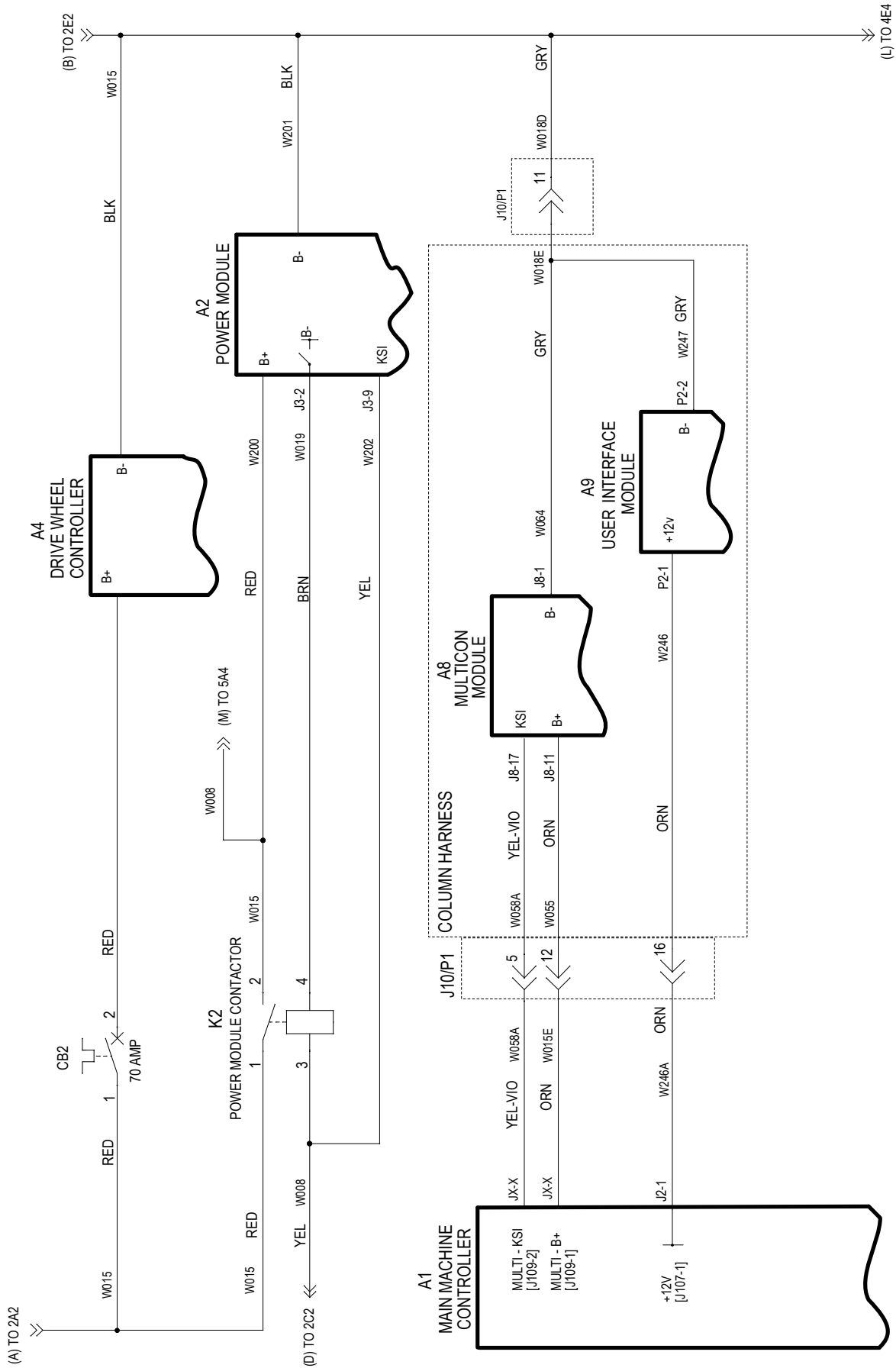


LADDER DIAGRAM-1

Kit	Item	Ref. No.	Qty	Description	Color	Codes
	A1#	56120488	1	Controller Kit	BLK	Black
	A2	56116087	1	Module-High Power	BLU	Blue
	A4#	56120502	1	Controller-Drive	BRN	Brown
	A7	56117797	1	Charger-On Board-36v	GRA	Gray
	A8#	9100003246	1	Multicon1	GRN	Green
	A9	56120213	1	Interface Assembly	ORN	Orange
	A17	56116477	1	Ibutton-Probe	PINK	Pink
	BT3	N/A	1	Battery 36VDC	RED	Red
	CB1	56315255	1	Circuit Breaker 5 Amp	TAN	Tan
	CB2	56454429	1	Circuit Breaker 70A	VIO	Violet
	CB3	56315255	1	Circuit Breaker 5 Amp	WHT	White
	F1	56115432	1	Fuse-150 Amp	YEL	Yellow
	F2		1	3 Amp Fuse		
	F3		1	30 Amp Fuse		
	F4		1	30 Amp Fuse		
	F5		1	30 Amp Fuse		
	F6		1	30 Amp Fuse		
	F7		1	5 Amp Fuse		
	F8		1	10 Amp Fuse		
	F9		1	10 Amp Fuse		
	F10		1	10 Amp Fuse		
	F11		1	40 Amp Fuse		
	F12		1	40 Amp Fuse		
	F13		1	40 Amp Fuse		
	H7	56116375	1	Horn-36		
	H8	56117416-SP	1	Alarm-Back-Up-11-100v-Spare Pa		
	K1	40892A	1	Relay Dpdt 36vdc		
	K2#	56117835	1	Contact-36v		
	L7		1	Valve-Solenoid-36vdc		
	LP1	56383032	1	Light-Led (Optional)		
	LP2	56383032	1	Light-Led (Optional)		
	LP8	56117845-SP	1	Beacon-Warning Led (Optional)		
		56117622	1	Light-Directional-Blue (Optional)		
		56117427-SP	1	Sensor-Level-Capacitive		
	M20	56120265	1	Motor-36vdc-780w With Brake		
	M24	56110742	1	Detergent Pump Motor		
	M25#	56117499-SP	1	Squeegee Actuator		
	M26	56117967	1	Wash Pump (Optional)		
	M27		1	Actuator Assy-Disk Deck		
	M27#		1	Actuator Assy-Cyl Deck		
	M30		1	Motor, Vacuum 1		
	M30		1	Motor, Vacuum 2 (Optional)		
	M33		1	Right Brush Disc		
	M33		1	Motor-36vdc-2200rpm-0.75hp (Rev)		
	M34		1	Rear Cylindrical Brush Motor		
	M40		1	Front Cylindrical Brush Motor		
	M41		1	Motor, Left Brush Disc Drive Motor		
	M41		1	Motor-36vdc-2200rpm-0.75hp (Rev)		
	R3	56123358	1	Drive Pedal		
	S1	56117842	1	Switch, Sweep		
	S21	56104247	1	SW, Emergency		
	S22	7-82-00050	1	SW, Seat		
	Y4#	56120229	1	Brake-Electromagnetic-Lever		

= Revised or new since last update

LADDER DIAGRAM-2

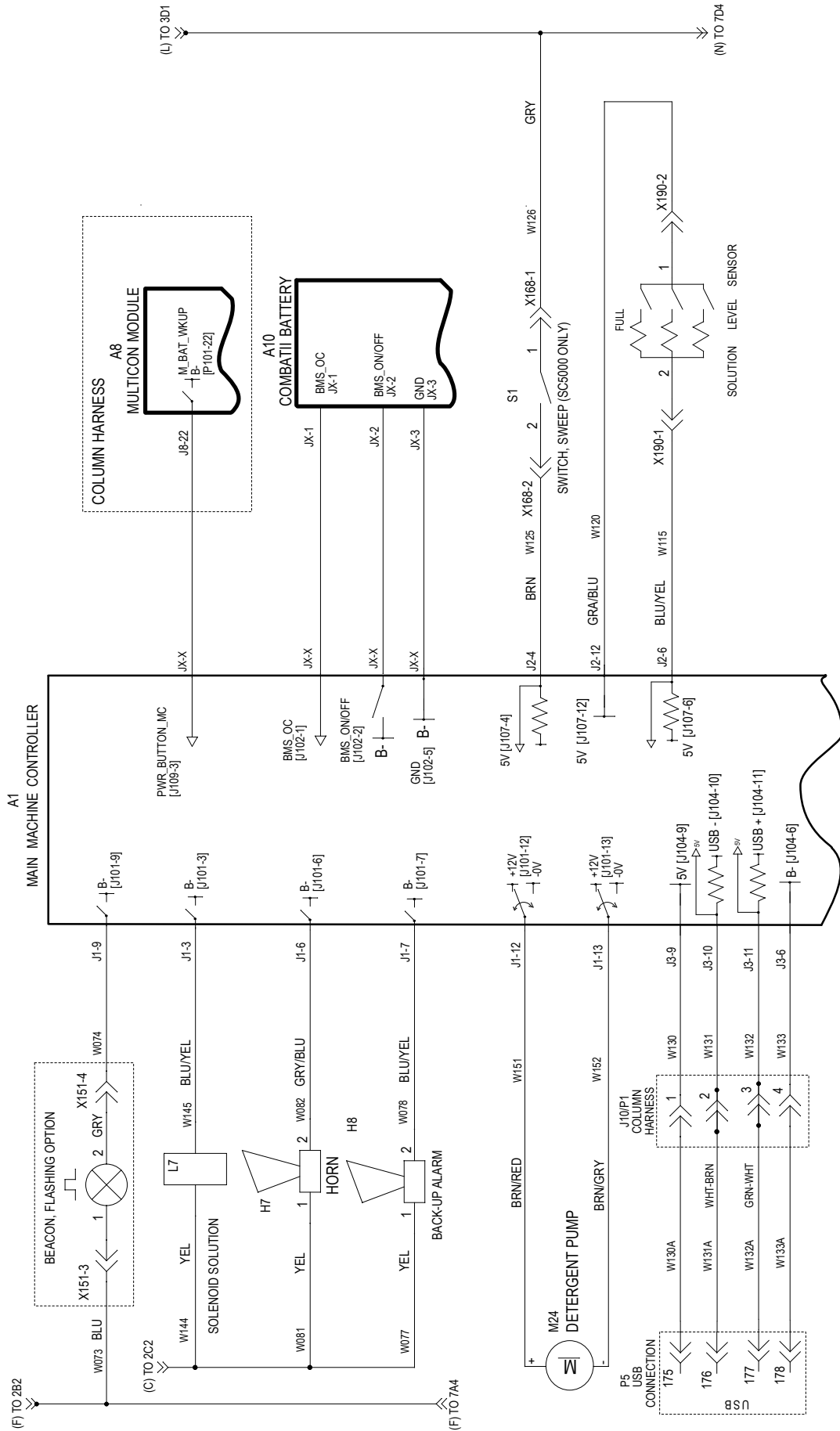


LADDER DIAGRAM-2

Kit	Item	Ref. No.	Qty	Description	Color Codes
	A1#	56120488	1	Controller Kit	BLK Black
	A2	56116087	1	Module-High Power	BLU Blue
	A4#	56120502	1	Controller-Drive	BRN Brown
	A7	56117797	1	Charger-On Board-36v	GRA Gray
	A8#	9100003246	1	Multicon1	GRN Green
	A9	56120213	1	Interface Assembly	ORN Orange
	A17	56116477	1	Ibutton-Probe	PINK Pink
	BT3	N/A	1	Battery 36VDC	RED Red
	CB1	56315255	1	Circuit Breaker 5 Amp	TAN Tan
	CB2	56454429	1	Circuit Breaker 70A	VIO Violet
	CB3	56315255	1	Circuit Breaker 5 Amp	WHT White
	F1	56115432	1	Fuse-150 Amp	YEL Yellow
	F2		1	3 Amp Fuse	
	F3		1	30 Amp Fuse	
	F4		1	30 Amp Fuse	
	F5		1	30 Amp Fuse	
	F6		1	30 Amp Fuse	
	F7		1	5 Amp Fuse	
	F8		1	10 Amp Fuse	
	F9		1	10 Amp Fuse	
	F10		1	10 Amp Fuse	
	F11		1	40 Amp Fuse	
	F12		1	40 Amp Fuse	
	F13		1	40 Amp Fuse	
	H7	56116375	1	Horn-36	
	H8	56117416-SP	1	Alarm-Back-Up-11-100v-Spare Pa	
	K1	40892A	1	Relay Dpdt 36vdc	
	K2#	56117835	1	Contacto-36v	
	L7		1	Valve-Solenoid-36vdc	
	LP1	56383032	1	Light-Led (Optional)	
	LP2	56383032	1	Light-Led (Optional)	
	LP8	56117845-SP	1	Beacon-Warning Led (Optional)	
		56117622	1	Light-Directional-Blue (Optional)	
		56117427-SP	1	Sensor-Level-Capacitive	
	M20	56120265	1	Motor-36vdc-780w With Brake	
	M24	56110742	1	Detergent Pump Motor	
	M25#	56117499-SP	1	Squeegee Actuator	
	M26	56117967	1	Wash Pump (Optional)	
	M27		1	Actuator Assy-Disk Deck	
	M27#		1	Actuator Assy-Cyl Deck	
	M30		1	Motor, Vacuum 1	
	M30		1	Motor, Vacuum 2 (Optional)	
	M33		1	Right Brush Disc	
	M33		1	Motor-36vdc-2200rpm-0.75hp (Rev)	
	M34		1	Rear Cylindrical Brush Motor	
	M40		1	Front Cylindrical Brush Motor	
	M41		1	Motor, Left Brush Disc Drive Motor	
	M41		1	Motor-36vdc-2200rpm-0.75hp (Rev)	
	R3	56123358	1	Drive Pedal	
	S1	56117842	1	Switch, Sweep	
	S21	56104247	1	SW, Emergency	
	S22	7-82-00050	1	SW, Seat	
	Y4#	56120229	1	Brake-Electromagnetic-Lever	

= Revised or new since last update

LADDER DIAGRAM-3

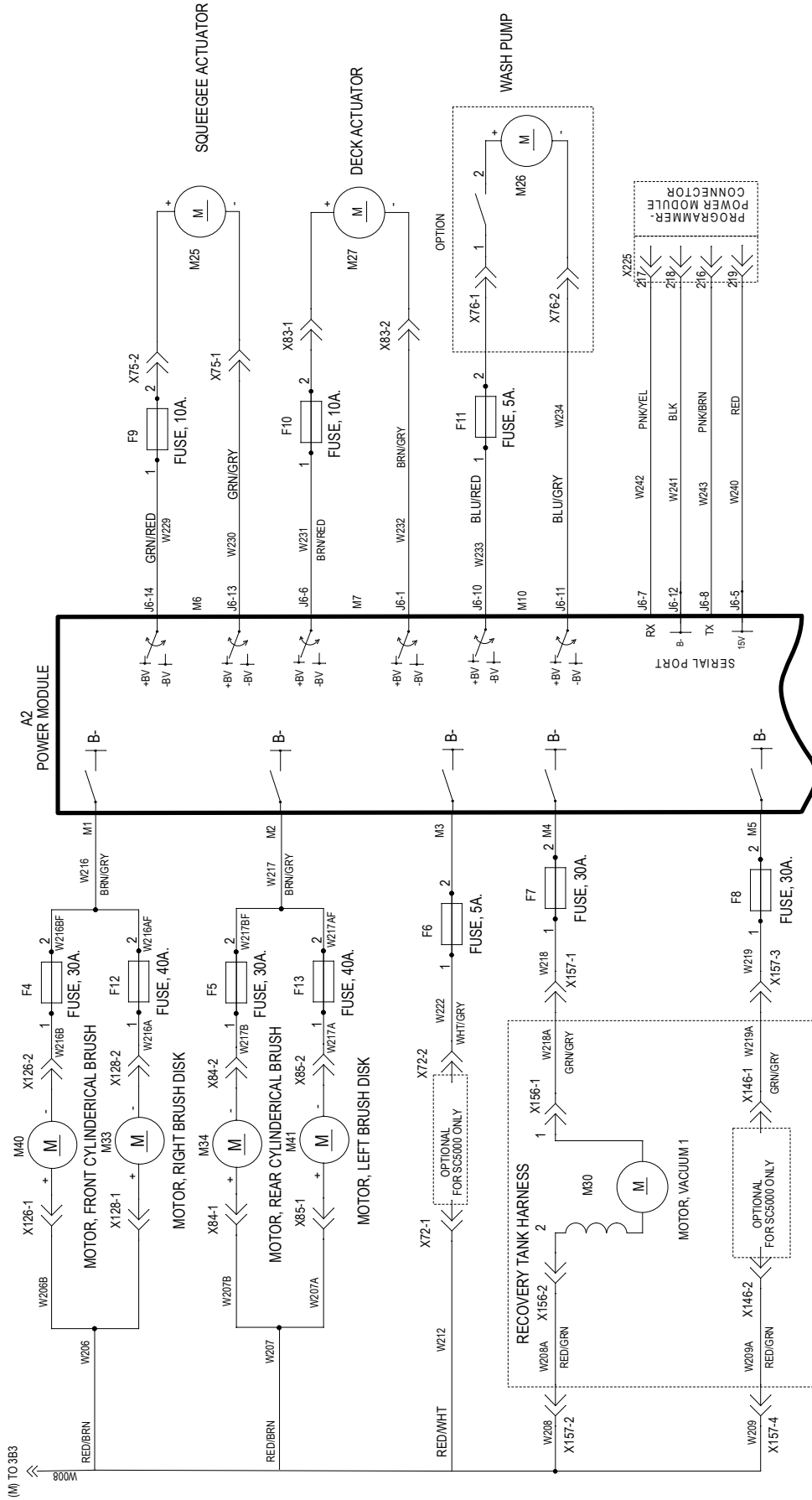


LADDER DIAGRAM-3

Kit	Item	Ref. No.	Qty	Description	Color Codes
	A1#	56120488	1	Controller Kit	BLK Black
	A2	56116087	1	Module-High Power	BLU Blue
	A4#	56120502	1	Controller-Drive	BRN Brown
	A7	56117797	1	Charger-On Board-36v	GRA Gray
	A8#	9100003246	1	Multicon1	GRN Green
	A9	56120213	1	Interface Assembly	ORN Orange
	A17	56116477	1	Ibutton-Probe	PINK Pink
	BT3	N/A	1	Battery 36VDC	RED Red
	CB1	56315255	1	Circuit Breaker 5 Amp	TAN Tan
	CB2	56454429	1	Circuit Breaker 70A	VIO Violet
	CB3	56315255	1	Circuit Breaker 5 Amp	WHT White
	F1	56115432	1	Fuse-150 Amp	YEL Yellow
	F2		1	3 Amp Fuse	
	F3		1	30 Amp Fuse	
	F4		1	30 Amp Fuse	
	F5		1	30 Amp Fuse	
	F6		1	30 Amp Fuse	
	F7		1	5 Amp Fuse	
	F8		1	10 Amp Fuse	
	F9		1	10 Amp Fuse	
	F10		1	10 Amp Fuse	
	F11		1	40 Amp Fuse	
	F12		1	40 Amp Fuse	
	F13		1	40 Amp Fuse	
	H7	56116375	1	Horn-36	
	H8	56117416-SP	1	Alarm-Back-Up-11-100v-Spare Pa	
	K1	40892A	1	Relay Dpdt 36vdc	
	K2#	56117835	1	Contact-36v	
	L7		1	Valve-Solenoid-36vdc	
	LP1	56383032	1	Light-Led (Optional)	
	LP2	56383032	1	Light-Led (Optional)	
	LP8	56117845-SP	1	Beacon-Warning Led (Optional)	
		56117622	1	Light-Directional-Blue (Optional)	
		56117427-SP	1	Sensor-Level-Capacitive	
	M20	56120265	1	Motor-36vdc-780w With Brake	
	M24	56110742	1	Detergent Pump Motor	
	M25#	56117499-SP	1	Squeegee Actuator	
	M26	56117967	1	Wash Pump (Optional)	
	M27		1	Actuator Assy-Disk Deck	
	M27#		1	Actuator Assy-Cyl Deck	
	M30		1	Motor, Vacuum 1	
	M30		1	Motor, Vacuum 2 (Optional)	
	M33		1	Right Brush Disc	
	M33		1	Motor-36vdc-2200rpm-0.75hp (Rev)	
	M34		1	Rear Cylindrical Brush Motor	
	M40		1	Front Cylindrical Brush Motor	
	M41		1	Motor, Left Brush Disc Drive Motor	
	M41		1	Motor-36vdc-2200rpm-0.75hp (Rev)	
	R3	56123358	1	Drive Pedal	
	S1	56117842	1	Switch, Sweep	
	S21	56104247	1	SW, Emergency	
	S22	7-82-00050	1	SW, Seat	
	Y4#	56120229	1	Brake-Electromagnetic-Lever	

= Revised or new since last update

LADDER DIAGRAM-4

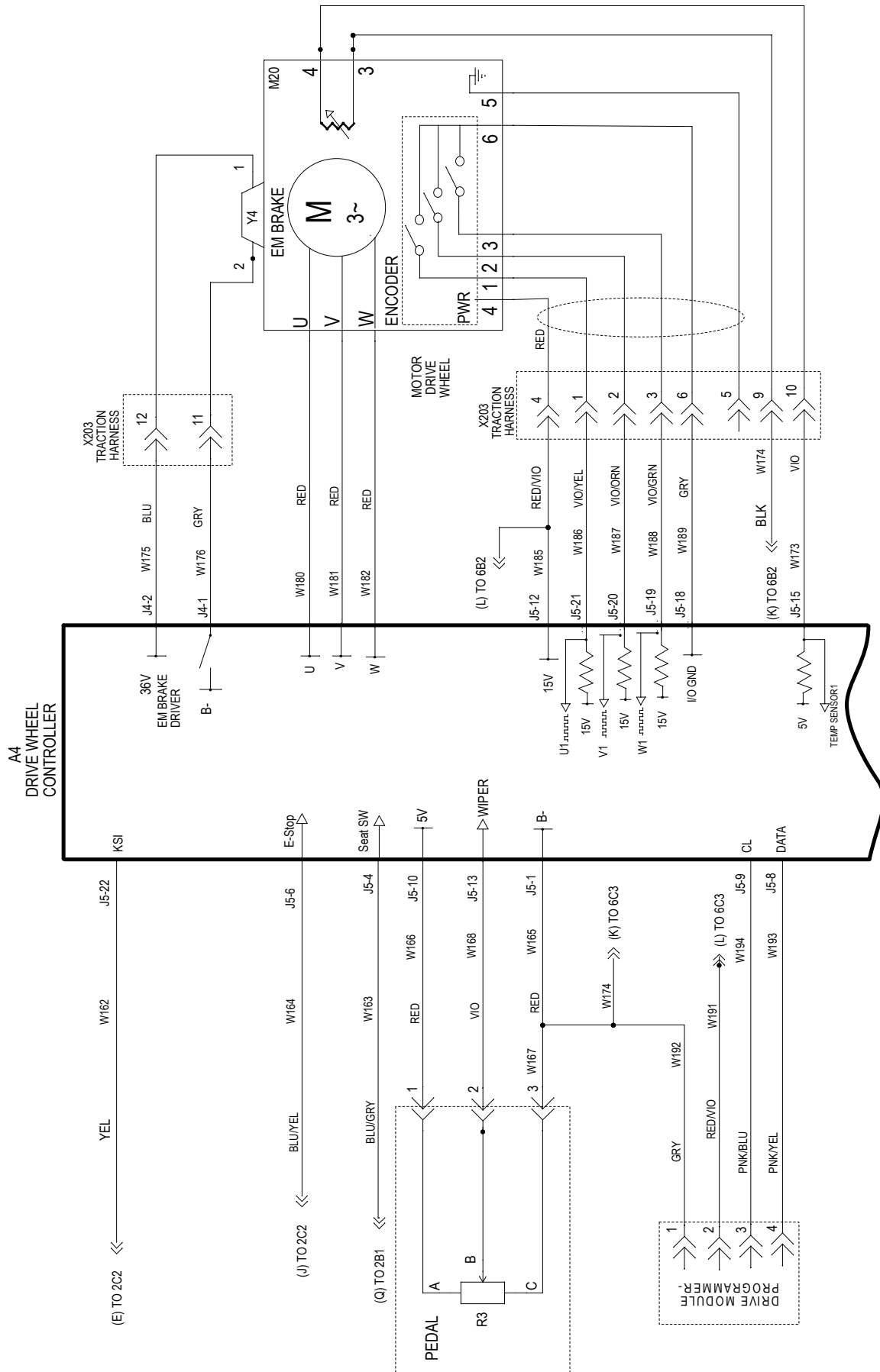


LADDER DIAGRAM-4

Kit	Item	Ref. No.	Qty	Description	Color Codes
	A1#	56120488	1	Controller Kit	BLK Black
	A2	56116087	1	Module-High Power	BLU Blue
	A4#	56120502	1	Controller-Drive	BRN Brown
	A7	56117797	1	Charger-On Board-36v	GRA Gray
	A8#	9100003246	1	Multicon1	GRN Green
	A9	56120213	1	Interface Assembly	ORN Orange
	A17	56116477	1	Ibutton-Probe	PINK Pink
	BT3	N/A	1	Battery 36VDC	RED Red
	CB1	56315255	1	Circuit Breaker 5 Amp	TAN Tan
	CB2	56454429	1	Circuit Breaker 70A	VIO Violet
	CB3	56315255	1	Circuit Breaker 5 Amp	WHT White
	F1	56115432	1	Fuse-150 Amp	YEL Yellow
	F2		1	3 Amp Fuse	
	F3		1	30 Amp Fuse	
	F4		1	30 Amp Fuse	
	F5		1	30 Amp Fuse	
	F6		1	30 Amp Fuse	
	F7		1	5 Amp Fuse	
	F8		1	10 Amp Fuse	
	F9		1	10 Amp Fuse	
	F10		1	10 Amp Fuse	
	F11		1	40 Amp Fuse	
	F12		1	40 Amp Fuse	
	F13		1	40 Amp Fuse	
	H7	56116375	1	Horn-36	
	H8	56117416-SP	1	Alarm-Back-Up-11-100v-Spare Pa	
	K1	40892A	1	Relay Dpdt 36vdc	
	K2#	56117835	1	Contacto-36v	
	L7		1	Valve-Solenoid-36vdc	
	LP1	56383032	1	Light-Led (Optional)	
	LP2	56383032	1	Light-Led (Optional)	
	LP8	56117845-SP	1	Beacon-Warning Led (Optional)	
		56117622	1	Light-Directional-Blue (Optional)	
		56117427-SP	1	Sensor-Level-Capacitive	
	M20	56120265	1	Motor-36vdc-780w With Brake	
	M24	56110742	1	Detergent Pump Motor	
	M25#	56117499-SP	1	Squeegee Actuator	
	M26	56117967	1	Wash Pump (Optional)	
	M27		1	Actuator Assy-Disk Deck	
	M27#		1	Actuator Assy-Cyl Deck	
	M30		1	Motor, Vacuum 1	
	M30		1	Motor, Vacuum 2 (Optional)	
	M33		1	Right Brush Disc	
	M33		1	Motor-36vdc-2200rpm-0.75hp (Rev)	
	M34		1	Rear Cylindrical Brush Motor	
	M40		1	Front Cylindrical Brush Motor	
	M41		1	Motor, Left Brush Disc Drive Motor	
	M41		1	Motor-36vdc-2200rpm-0.75hp (Rev)	
	R3	56123358	1	Drive Pedal	
	S1	56117842	1	Switch, Sweep	
	S21	56104247	1	SW, Emergency	
	S22	7-82-00050	1	SW, Seat	
	Y4#	56120229	1	Brake-Electromagnetic-Lever	

= Revised or new since last update

LADDER DIAGRAM-5



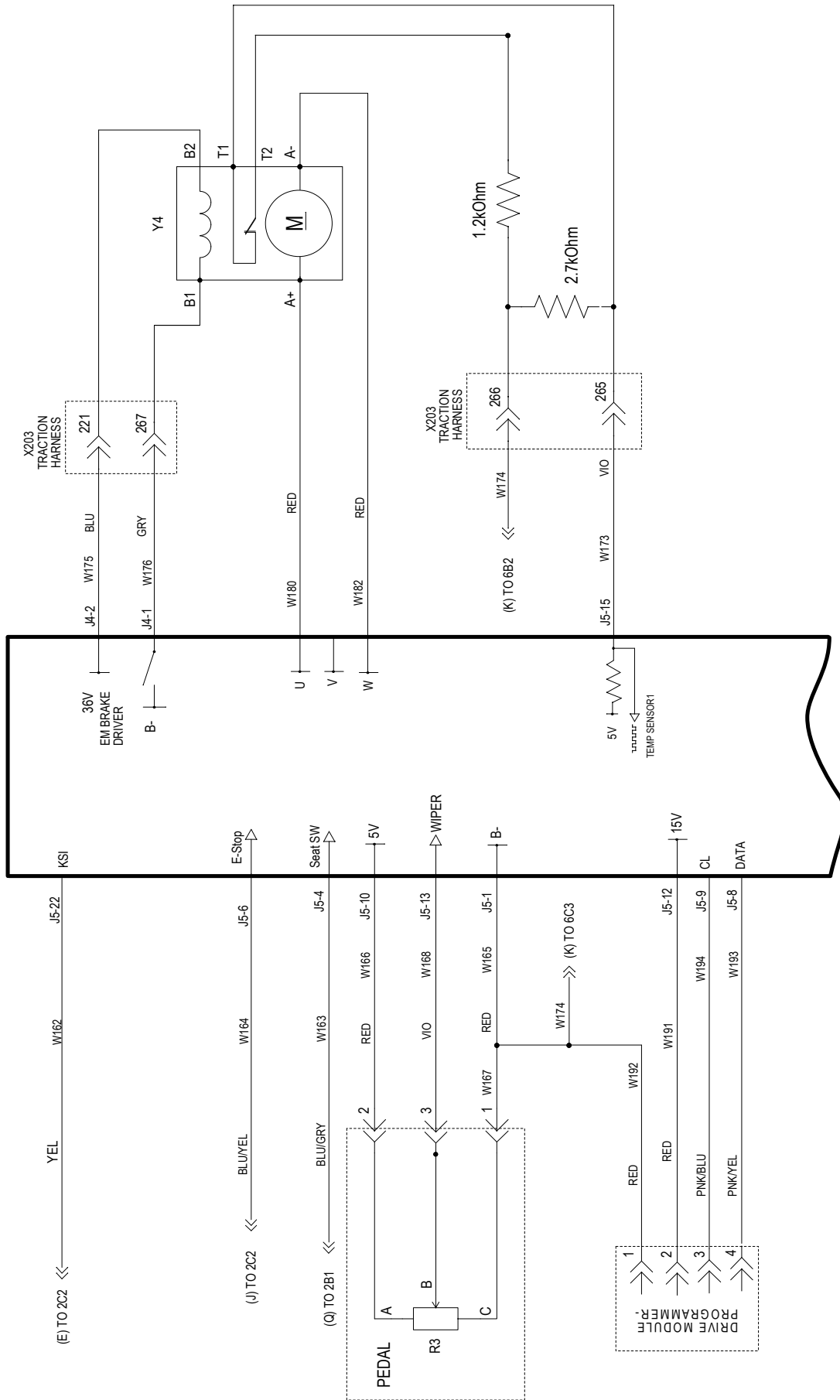
LADDER DIAGRAM-5

Kit	Item	Ref. No.	Qty	Description	Color	Codes
	A1#	56120488	1	Controller Kit	BLK	Black
	A2	56116087	1	Module-High Power	BLU	Blue
	A4#	56120502	1	Controller-Drive	BRN	Brown
	A7	56117797	1	Charger-On Board-36v	GRA	Gray
	A8#	9100003246	1	Multicon1	GRN	Green
	A9	56120213	1	Interface Assembly	ORN	Orange
	A17	56116477	1	Ibutton-Probe	PINK	Pink
	BT3	N/A	1	Battery 36VDC	RED	Red
	CB1	56315255	1	Circuit Breaker 5 Amp	TAN	Tan
	CB2	56454429	1	Circuit Breaker 70A	VIO	Violet
	CB3	56315255	1	Circuit Breaker 5 Amp	WHT	White
	F1	56115432	1	Fuse-150 Amp	YEL	Yellow
	F2		1	3 Amp Fuse		
	F3		1	30 Amp Fuse		
	F4		1	30 Amp Fuse		
	F5		1	30 Amp Fuse		
	F6		1	30 Amp Fuse		
	F7		1	5 Amp Fuse		
	F8		1	10 Amp Fuse		
	F9		1	10 Amp Fuse		
	F10		1	10 Amp Fuse		
	F11		1	40 Amp Fuse		
	F12		1	40 Amp Fuse		
	F13		1	40 Amp Fuse		
	H7	56116375	1	Horn-36		
	H8	56117416-SP	1	Alarm-Back-Up-11-100v-Spare Pa		
	K1	40892A	1	Relay Dpdt 36vdc		
	K2#	56117835	1	Contactactor-36v		
	L7		1	Valve-Solenoid-36vdc		
	LP1	56383032	1	Light-Led (Optional)		
	LP2	56383032	1	Light-Led (Optional)		
	LP8	56117845-SP	1	Beacon-Warning Led (Optional)		
		56117622	1	Light-Directional-Blue (Optional)		
		56117427-SP	1	Sensor-Level-Capacitive		
	M20	56120265	1	Motor-36vdc-780w With Brake		
	M24	56110742	1	Detergent Pump Motor		
	M25#	56117499-SP	1	Squeegee Actuator		
	M26	56117967	1	Wash Pump (Optional)		
	M27		1	Actuator Assy-Disk Deck		
	M27#		1	Actuator Assy-Cyl Deck		
	M30		1	Motor, Vacuum 1		
	M30		1	Motor, Vacuum 2 (Optional)		
	M33		1	Right Brush Disc		
	M33		1	Motor-36vdc-2200rpm-0.75hp (Rev)		
	M34		1	Rear Cylindrical Brush Motor		
	M40		1	Front Cylindrical Brush Motor		
	M41		1	Motor, Left Brush Disc Drive Motor		
	M41		1	Motor-36vdc-2200rpm-0.75hp (Rev)		
	R3	56123358	1	Drive Pedal		
	S1	56117842	1	Switch, Sweep		
	S21	56104247	1	SW, Emergency		
	S22	7-82-00050	1	SW, Seat		
	Y4#	56120229	1	Brake-Electromagnetic-Lever		

= Revised or new since last update

LADDER DIAGRAM-6

A4 DRIVE WHEEL CONTROLLER

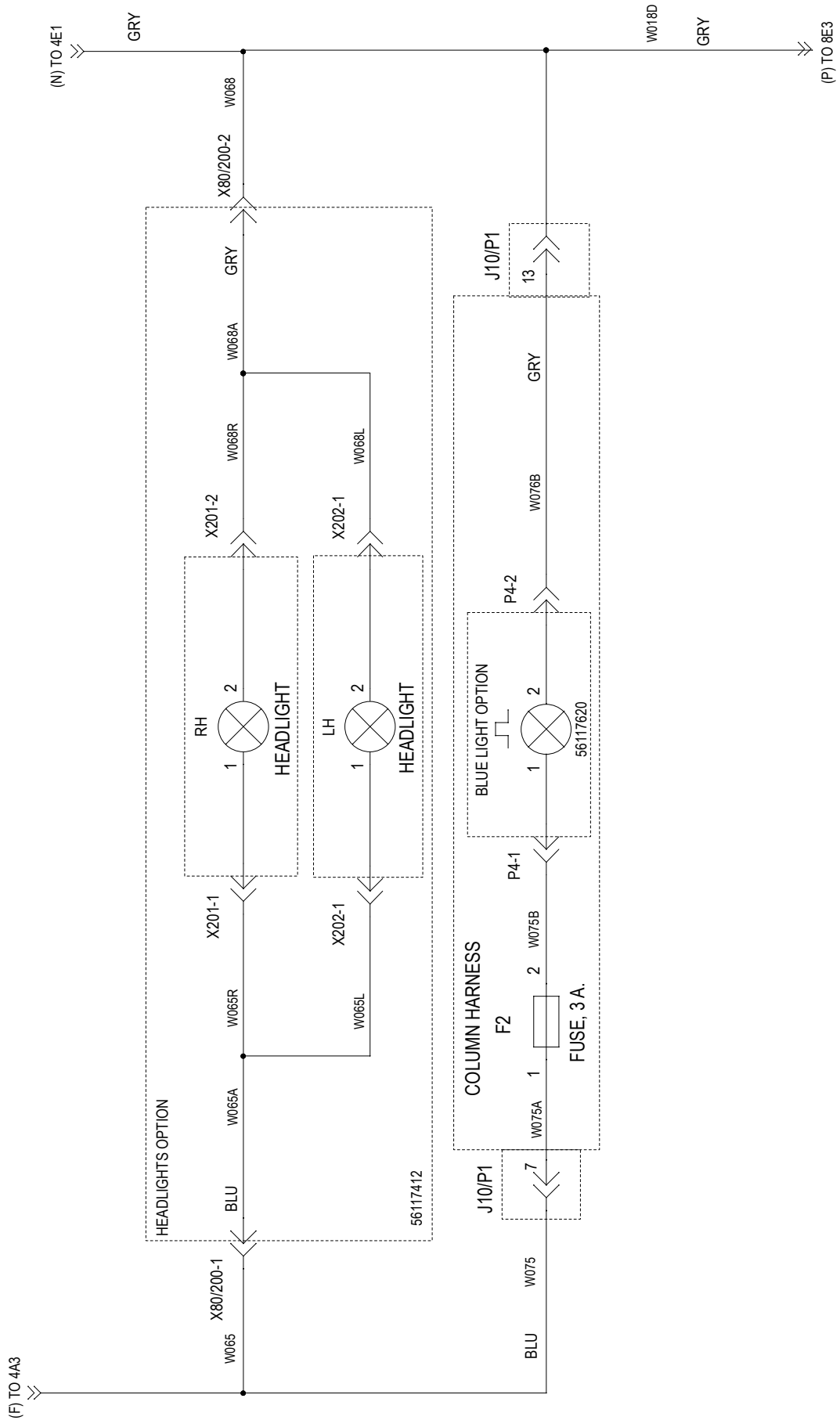


LADDER DIAGRAM-6

Kit	Item	Ref. No.	Qty	Description	Color Codes
	A1#	56120488	1	Controller Kit	BLK Black
	A2	56116087	1	Module-High Power	BLU Blue
	A4#	56120502	1	Controller-Drive	BRN Brown
	A7	56117797	1	Charger-On Board-36v	GRA Gray
	A8#	9100003246	1	Multicon1	GRN Green
	A9	56120213	1	Interface Assembly	ORN Orange
	A17	56116477	1	Ibutton-Probe	PINK Pink
	BT3	N/A	1	Battery 36VDC	RED Red
	CB1	56315255	1	Circuit Breaker 5 Amp	TAN Tan
	CB2	56454429	1	Circuit Breaker 70A	VIO Violet
	CB3	56315255	1	Circuit Breaker 5 Amp	WHT White
	F1	56115432	1	Fuse-150 Amp	YEL Yellow
	F2		1	3 Amp Fuse	
	F3		1	30 Amp Fuse	
	F4		1	30 Amp Fuse	
	F5		1	30 Amp Fuse	
	F6		1	30 Amp Fuse	
	F7		1	5 Amp Fuse	
	F8		1	10 Amp Fuse	
	F9		1	10 Amp Fuse	
	F10		1	10 Amp Fuse	
	F11		1	40 Amp Fuse	
	F12		1	40 Amp Fuse	
	F13		1	40 Amp Fuse	
	H7	56116375	1	Horn-36	
	H8	56117416-SP	1	Alarm-Back-Up-11-100v-Spare Pa	
	K1	40892A	1	Relay Dpdt 36vdc	
	K2#	56117835	1	Contactactor-36v	
	L7		1	Valve-Solenoid-36vdc	
	LP1	56383032	1	Light-Led (Optional)	
	LP2	56383032	1	Light-Led (Optional)	
	LP8	56117845-SP	1	Beacon-Warning Led (Optional)	
		56117622	1	Light-Directional-Blue (Optional)	
		56117427-SP	1	Sensor-Level-Capacitive	
	M20	56120265	1	Motor-36vdc-780w With Brake	
	M24	56110742	1	Detergent Pump Motor	
	M25#	56117499-SP	1	Squeegee Actuator	
	M26	56117967	1	Wash Pump (Optional)	
	M27		1	Actuator Assy-Disk Deck	
	M27#		1	Actuator Assy-Cyl Deck	
	M30		1	Motor, Vacuum 1	
	M30		1	Motor, Vacuum 2 (Optional)	
	M33		1	Right Brush Disc	
	M33		1	Motor-36vdc-2200rpm-0.75hp (Rev)	
	M34		1	Rear Cylindrical Brush Motor	
	M40		1	Front Cylindrical Brush Motor	
	M41		1	Motor, Left Brush Disc Drive Motor	
	M41		1	Motor-36vdc-2200rpm-0.75hp (Rev)	
	R3	56123358	1	Drive Pedal	
	S1	56117842	1	Switch, Sweep	
	S21	56104247	1	SW, Emergency	
	S22	7-82-00050	1	SW, Seat	
	Y4#	56120229	1	Brake-Electromagnetic-Lever	

= Revised or new since last update

LADDER DIAGRAM-7

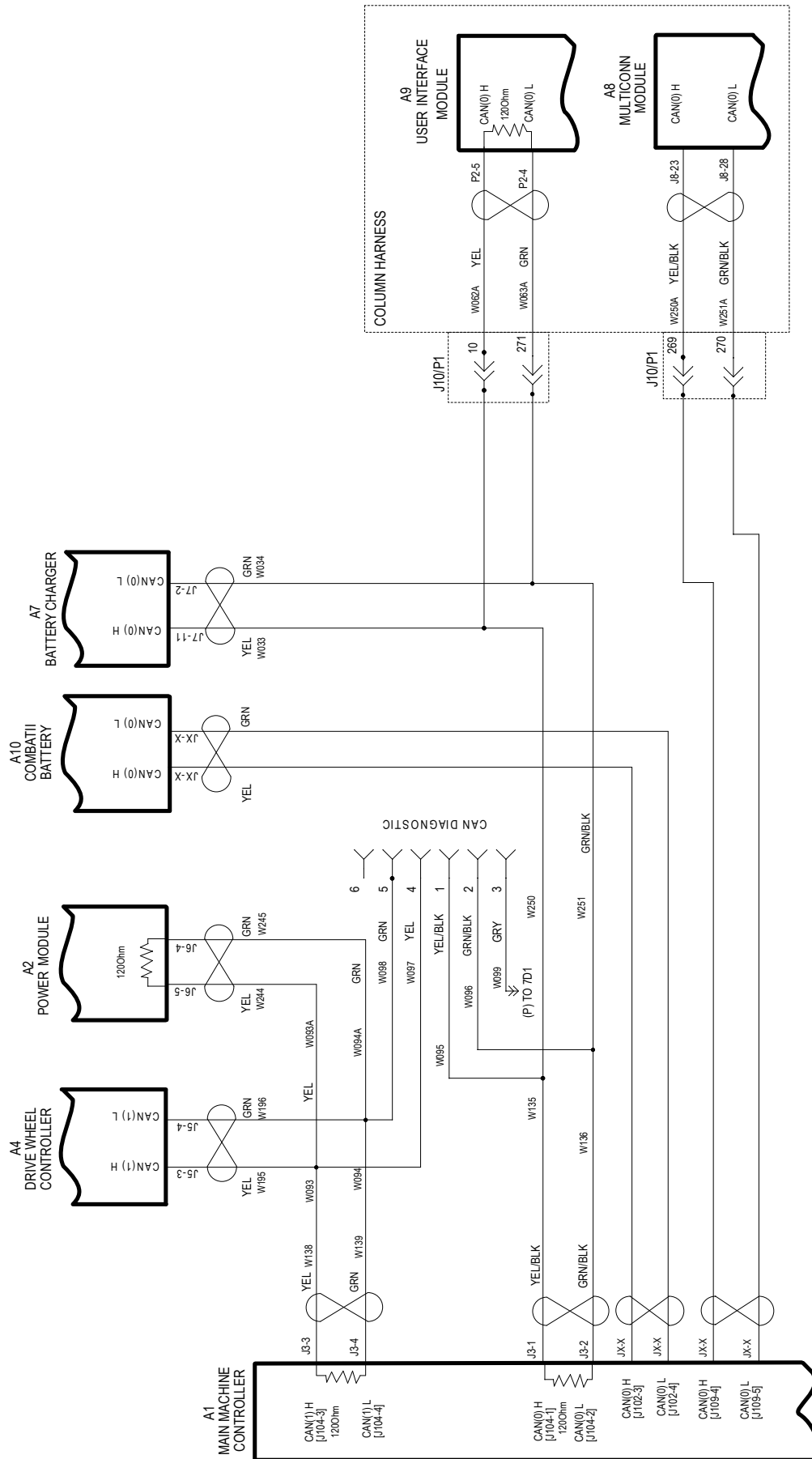


LADDER DIAGRAM-7

Kit	Item	Ref. No.	Qty	Description	Color	Codes
	A1#	56120488	1	Controller Kit	BLK	Black
	A2	56116087	1	Module-High Power	BLU	Blue
	A4#	56120502	1	Controller-Drive	BRN	Brown
	A7	56117797	1	Charger-On Board-36v	GRA	Gray
	A8#	9100003246	1	Multicon1	GRN	Green
	A9	56120213	1	Interface Assembly	ORN	Orange
	A17	56116477	1	Ibutton-Probe	PINK	Pink
	BT3	N/A	1	Battery 36VDC	RED	Red
	CB1	56315255	1	Circuit Breaker 5 Amp	TAN	Tan
	CB2	56454429	1	Circuit Breaker 70A	VIO	Violet
	CB3	56315255	1	Circuit Breaker 5 Amp	WHT	White
	F1	56115432	1	Fuse-150 Amp	YEL	Yellow
	F2		1	3 Amp Fuse		
	F3		1	30 Amp Fuse		
	F4		1	30 Amp Fuse		
	F5		1	30 Amp Fuse		
	F6		1	30 Amp Fuse		
	F7		1	5 Amp Fuse		
	F8		1	10 Amp Fuse		
	F9		1	10 Amp Fuse		
	F10		1	10 Amp Fuse		
	F11		1	40 Amp Fuse		
	F12		1	40 Amp Fuse		
	F13		1	40 Amp Fuse		
	H7	56116375	1	Horn-36		
	H8	56117416-SP	1	Alarm-Back-Up-11-100v-Spare Pa		
	K1	40892A	1	Relay Dpdt 36vdc		
	K2#	56117835	1	Contactor-36v		
	L7		1	Valve-Solenoid-36vdc		
	LP1	56383032	1	Light-Led (Optional)		
	LP2	56383032	1	Light-Led (Optional)		
	LP8	56117845-SP	1	Beacon-Warning Led (Optional)		
		56117622	1	Light-Directional-Blue (Optional)		
		56117427-SP	1	Sensor-Level-Capacitive		
	M20	56120265	1	Motor-36vdc-780w With Brake		
	M24	56110742	1	Detergent Pump Motor		
	M25#	56117499-SP	1	Squeegee Actuator		
	M26	56117967	1	Wash Pump (Optional)		
	M27		1	Actuator Assy-Disk Deck		
	M27#		1	Actuator Assy-Cyl Deck		
	M30		1	Motor, Vacuum 1		
	M30		1	Motor, Vacuum 2 (Optional)		
	M33		1	Right Brush Disc		
	M33		1	Motor-36vdc-2200rpm-0.75hp (Rev)		
	M34		1	Rear Cylindrical Brush Motor		
	M40		1	Front Cylindrical Brush Motor		
	M41		1	Motor, Left Brush Disc Drive Motor		
	M41		1	Motor-36vdc-2200rpm-0.75hp (Rev)		
	R3	56123358	1	Drive Pedal		
	S1	56117842	1	Switch, Sweep		
	S21	56104247	1	SW, Emergency		
	S22	7-82-00050	1	SW, Seat		
	Y4#	56120229	1	Brake-Electromagnetic-Lever		

= Revised or new since last update

LADDER DIAGRAM-8



LADDER DIAGRAM-8

Kit	Item	Ref. No.	Qty	Description	Color	Codes
	A1#	56120488	1	Controller Kit	BLK	Black
	A2	56116087	1	Module-High Power	BLU	Blue
	A4#	56120502	1	Controller-Drive	BRN	Brown
	A7	56117797	1	Charger-On Board-36v	GRA	Gray
	A8#	9100003246	1	Multicon1	GRN	Green
	A9	56120213	1	Interface Assembly	ORN	Orange
	A17	56116477	1	Ibutton-Probe	PINK	Pink
	BT3	N/A	1	Battery 36VDC	RED	Red
	CB1	56315255	1	Circuit Breaker 5 Amp	TAN	Tan
	CB2	56454429	1	Circuit Breaker 70A	VIO	Violet
	CB3	56315255	1	Circuit Breaker 5 Amp	WHT	White
	F1	56115432	1	Fuse-150 Amp	YEL	Yellow
	F2		1	3 Amp Fuse		
	F3		1	30 Amp Fuse		
	F4		1	30 Amp Fuse		
	F5		1	30 Amp Fuse		
	F6		1	30 Amp Fuse		
	F7		1	5 Amp Fuse		
	F8		1	10 Amp Fuse		
	F9		1	10 Amp Fuse		
	F10		1	10 Amp Fuse		
	F11		1	40 Amp Fuse		
	F12		1	40 Amp Fuse		
	F13		1	40 Amp Fuse		
	H7	56116375	1	Horn-36		
	H8	56117416-SP	1	Alarm-Back-Up-11-100v-Spare Pa		
	K1	40892A	1	Relay Dpdt 36vdc		
	K2#	56117835	1	Contactactor-36v		
	L7		1	Valve-Solenoid-36vdc		
	LP1	56383032	1	Light-Led (Optional)		
	LP2	56383032	1	Light-Led (Optional)		
	LP8	56117845-SP	1	Beacon-Warning Led (Optional)		
		56117622	1	Light-Directional-Blue (Optional)		
		56117427-SP	1	Sensor-Level-Capacitive		
	M20	56120265	1	Motor-36vdc-780w With Brake		
	M24	56110742	1	Detergent Pump Motor		
	M25#	56117499-SP	1	Squeegee Actuator		
	M26	56117967	1	Wash Pump (Optional)		
	M27		1	Actuator Assy-Disk Deck		
	M27#		1	Actuator Assy-Cyl Deck		
	M30		1	Motor, Vacuum 1		
	M30		1	Motor, Vacuum 2 (Optional)		
	M33		1	Right Brush Disc		
	M33		1	Motor-36vdc-2200rpm-0.75hp (Rev)		
	M34		1	Rear Cylindrical Brush Motor		
	M40		1	Front Cylindrical Brush Motor		
	M41		1	Motor, Left Brush Disc Drive Motor		
	M41		1	Motor-36vdc-2200rpm-0.75hp (Rev)		
	R3	56123358	1	Drive Pedal		
	S1	56117842	1	Switch, Sweep		
	S21	56104247	1	SW, Emergency		
	S22	7-82-00050	1	SW, Seat		
	Y4#	56120229	1	Brake-Electromagnetic-Lever		

= Revised or new since last update

OPTIONS & ACCESSORIES

Item	Ref. No.	Qty	Description
Accessories			
*	56120309	1	Beacon Kit
*	56116355	1	Vacuum Wand Kit
*#	56120505	1	Onboard Charger Kit-36v-Amer
*#	56120507	1	Onboard Charger Kit-36v-Korea
*	56116358	1	Solution Auto Fill Kit
*	56120300	1	Squeegee Guard Kit
*	56117811	1	Scrub-N-Vac Tool Kit
*	56117869	1	Foot Guard Kit
*	56120260	1	Headlight Kit-SC4000
*	56117906	1	Wash Hose Kit
*	56120349	1	Eco Flex Kit
*	56116614	1	Battery Watering Kit-36v
*	56116619	1	Mop Holder Kit
*	56383189	1	Arm Rest Kit-R/H Only
*	56117688	1	Seat Belt Kit
*	56117893	1	Drain Hose Extension
*	56117858	1	Blue Light Kit
*	56117868	1	Multicon Kit
*	56120261	1	Vacuum Kit-High Power
*	56116856	1	USB Kit
*#	56120192	1	Solution Drain Hose Assembly
*#	56120353	1	Click-On 28D / 710D Kit
*#	56120354	1	Click-On 34D / 860D Kit
*#	56120485	1	Deluxe Side Skirt Kit
Options			
	56116518	1	Smart Key-User
	56116519	1	Smart Key-Supervisor
	56044740	1	Literature Pack ADVANCE
Kits			
#	28C, 28D & 28R Squeegee Blade Kits for 56120135-SP (M) (See Squeegee Blade Selector Guide)		
	56120334	1	Squeegee Blade Kit-Linatex-M NOTE 1
*	56120336	1	Squeegee Blade Kit-PU-M NOTE 1
*	56120335	1	Squeegee Blade Kit-Gum-M NOTE 1
*	56120337	1	Squeegee Blade Kit-Primo-M NOTE 1
32C & 34D Squeegee Blade Kits for 56117300 (L) (See Squeegee Blade Selector Guide)			
	56120338	1	Squeegee Blade Kit-Linatex L NOTE 1
*	56120340	1	Squeegee Blade Kit-PU L NOTE 1
*	56382738	1	Squeegee Blade Kit-Gum-L NOTE 1
*	56120339	1	Squeegee Blade Kit-Primo-L NOTE 1
Scrub System Side Blade Kit for Cylindrical Decks (See Blade Selector Guide)			
	56120345	1	Cyl Side Blade Kit-Linatex
*	56120346	1	Cyl Side Blade Kit-Gum
*	56120347	1	Cyl Side Blade Kit-Pu
*	56120348	1	Cyl Side Blade Kit-Primo
Scrub System Side Blade Kit for Disc/Rev Decks (See Blade Selector Guide)			
	56120341	1	Disc/Rev Side Blade Kit-Linat
*	56120342	1	Disc/Rev Side Blade Kit-Gum
*	56120343	1	Disc/Rev Side Blade Kit-Pu
*	56120344	1	Disc/Rev Side Blade Kit-Primo

OPTIONS & ACCESSORIES (CONTINUED)

Item	Ref. No.	Qty	Description
Kits			
28D Disc Scrub Brushes (See Brush Selector Guide)			
*	56505800	2	Pad Holder-14
*	56505801	2	Disc Brush-14 Magnagrit 3 Lug
*	56505802	2	Disc Brush-14 Dynagrit 3 Lug
*	56505803	2	Disc Brush-14 Aglite 3 Lug
*	56505804	2	Disc Brush-14 Prolene 3 Lug
*	56505805	2	Disc Brush-14 Prolite 3 Lug
*	56505806	2	Disc Brush-14 Union Mix 3 Lug
*	56505807	2	Disc Brush-14 Midgrit 3 Lug
*	56505808	2	Disc Brush-14 Midlite 3 Lug
34D Disc Scrub Brushes (See Brush Selector Guide)			
*	56505780	2	Pad Holder-17 3 Lug
*	56505781	2	Disc Brush-17 Magnagrit 3 Lug
*	56505782	2	Disc Brush-17 Dynagrit 3 Lug
*	56505783	2	Disc Brush-17 Aglite 3 Lug
*	56505784	2	Disc Brush-17 Prolene 3 Lug
*	56505785	2	Disc Brush-17 Prolite 3 Lug
*	56505786	2	Disc Brush-17 Union Mix 3 Lug
*	56505787	2	Disc Brush-17 Midgrit 3 Lug
*	56505788	2	Disc Brush-17 Midlite 3 Lug
28C Cylindrical Scrub Brushes (See Brush Selector Guide)			
*	56412191	2	Brush-Soft Nylon 28
*	56412192	2	Brush-Hard Nylon 28
*	56412046	2	Brush-Polypropylene 28
*	56412193	2	Brush-180 Grit 28
*	56412194	2	Brush-80 Grit 28
*	56412195	2	Brush 46 Grit 28
32C Cylindrical Scrub Brushes (See Brush Selector Guide)			
*	56407474	2	Brush Hard Nylon 32-Natural
*	56407476	2	Brush 180 Grit 32-Blue/Grey
*	56407477	2	Brush 80 Grit 32-Black
*	56407473	2	Brush Soft Nylon 32-Yellow
*	56407475	2	Brush Polypropylene 32-Red
*	56407478	2	Brush-Cyl-46 Magnagrit-Orange
28REV Pads			
*	56112733	1	Pad-Maroon-14-10/CS
*	56384450		Pad-Maroon-14-10/CS
*	56112734		Pad Micro Fiber-14IN

* = Optional, Not Included

= Revised or new since last update

NOTE 1: All squeegee blade kits include both front and rear squeegee blades.

RECOMMENDED SPARE PARTS**WEAR ITEMS****BRUSHES**

Disc Scrub Brushes	28D	34D
Brush Pad Holder	56505800	56505780
MagnaGrit	56505801	56505781
DynaGrit	56505802	56505782
AgLite	56505803	56505783
Prolene	56505804	56505784
ProLite	56505805	56505785
Union Mix	56505806	56505786
MidGrit	56505807	56505787
MidLite Grit	56505808	56505788

Cylindrical Scrub Brushes	28C	32C
Hard Nylon	56412192	56407474
180 Grit	56412193	56407476
80 Grit	56412194	56407477
Soft Nylon	56412191	56407473
Prolene	56412046	56407475
46 Grit	56412195	56407478

PADS

Rev	28R
Pad-Maroon-14-10/CS	56112733
Pad-Maroon-14-10/CS	56384450
Pad-Micro Fiber-14IN	56112734

DECK BLADES

Disc/Rev Deck Blade Kit	28D	34D
Kit, Linatex Side Blade	56120341	56120341

Cylindrical Deck Blade Kit	28C	32C
Kit, Linatex Side Blade	56120345	56120345

SQUEEGEE BLADES

Squeegee Blade Kits	28D, 28C (M)	32C, 34D (L)
Kit, Linatex Squeegee Blade	56120334	56120338

RECOMMENDED SPARE PARTS

Item	Ref. No.	Qty	Description
CHASSIS SYSTEM			
Ordinary Maintenance			
O	56117889	1	Squeegee Actuator Kit
O	56117891	1	Static Strap Kit
STEERING CONTROL SYSTEM			
Ordinary Maintenance			
O	56117921	1	Sprocket Kit
O	56117185	1	Interface Kit
O	56117436-Sp	1	Wheel-Steering-Spare Part
ELECTRICAL SYSTEM			
Ordinary Maintenance			
O	56117835	1	36vContactor Kit
O	56120203	1	Cable-Machine
O	56120204	1	Cable-Battery
O	56120205	1	Harness-Traction
O	56117416-Sp	1	Alarm-Back-Up-11-100v-Spare Pa
O	56120220	1	Harens-Column
O#	56120502	1	Controller-Drive Brushed Dc
O	56117202-Sp	1	Main Harness-Spare Part
O	56115432	1	Fuse - 150 Amp
O	56116087	1	Module-High Power
O	56123358-Sp	1	Pedal-Uni Direction-Hall
O	40892a	1	Relay Dpdt 36vdc
O	56315255	1	Circuit Breaker 5 Amp
O	56454429	1	Circuit Breaker 70A
RECOVERY SYSTEM			
Ordinary Maintenance			
O	56120314	1	Recovery Tank Lid Kit
O	56120315	1	Filter Cover Kit
O	56117992	1	Float Cage Kit
O	56120313	1	Vacuum Motor Kit-Standard
O	56120316	1	Lower Vacuum Exhaust Panel Kit
O	56120317	1	Upper Vacuum Exhaust Panel Kit
O	56117529-Sp	1	Debris Tray-Spare Part
O	56117530-Sp	1	Cover-Debris Tray-Spare Part
O	56117789-Sp	1	Hose Assy-Drain-Pu-1.5-Black-S
O	56117543	1	Squeegee Hose Assembly-Spare P
O	56314372	1	Screen Filter
O	56314373	1	Filter
SCRUB SYSTEM			
Ordinary Maintenance			
O	56117362-Sp	1	Applicator Tube Assy-32 In-Spa
O	56117313-Sp	1	Hopper Assembly-32in-Spare Par
O	56117318-Sp	1	Idler Assembly-Cylindrical-Spa
O	56117564-Sp	1	Washer-Bearing-Spare Part
O	56117565-Sp	1	Lug-Drive End-Spare Part
O	56117148-Sp	1	Ring-Ret Ext-Round-45mm-Spare
O	56117760-Sp	1	Housing-Cylindrical Drive-Spar
O	56120125	1	Applicator Tube Assy-28 In
O	56120122	1	Hopper Assembly-28
O	56117214	1	Rh Strap Kit-Disk
O	56117499-Sp	1	Actuator-Deck-Spare Part
O	56117219	1	Lh Strap Kit-Disk
O	56117238	1	Rh Strap Kit-Cyl
O	56117252	1	Lh Strap Kit-Cyl

Item	Ref. No.	Qty	Description
SCRUB SYSTEM (CONTINUED)			
Ordinary Maintenance			
O	56117317-Sp	1	Castng-Idler End-Cylindrical-
O	56120320	1	Hopper Screen Kit-28
O	56117459	1	Motor Kit-Cyl Deck
O	56117460	1	Latch Kit-Cyl
O	56117461	1	Motor Sheave Kit
O	56117462	1	Belt Auto Tension Kit
O	56117463	1	Drive Sheave Kit
O	56117898	1	Solenoid Valve Kit
O	56117899	1	Up Stop Kit
O	56117900	1	32 Cyl Deck Weldment Kit
O	56117908	1	Disc Scrub Motor Kit
O	56117909	1	Disk Deck Actuator Kit
O	56120326	1	28d/28r Roller Kit
O	56120325	1	Front Blade Kit
O	56117917	1	Right Brush Plate Kit
O	56117918	1	Left Brush Plate Kit
O	56117919	1	Cylindrical Deck Actuator Kit
Normal Wear			
W	56120341	1	Disc/Rev Side Blade Kit-Linat
Cylindrical Deck Blades			
W	56120345	1	Cyl Side Blade Kit-Linatex
SOLUTION SYSTEM			
Ordinary Maintenance			
O	56117457-Sp	1	Box-Storage-Spare Part
O	56120311	1	Solution Tank Kit
O	56117925	1	Ball Valve Kit
O	56117926	1	Water Filter Kit
O	56117929	1	Cover Gasket Kit
O	56120192	1	Drain Hose Assembly
SQUEEGEE SYSTEM			
Ordinary Maintenance			
O	56117356-Sp	1	Caster Assembly-Spare Part
O	56117302-SP	1	Knob-Squeegee-M12-Spare Part
O	56117303	1	Squeegee Arm Weldment-Spare Pa
O	56117988	1	Rod End Kit
Normal Wear			
W	56120338	1	Squeegee Blade Kit-Linatex-L
W	56120340	1	Squeegee Blade Kit-Pu-L
REAR AND DRIVE WHEEL SYSTEM			
Ordinary Maintenance			
O	56120265	1	Motor-36vdc-780w With Brake
O	56117558-Sp	1	Block-Bearing-Spare Part
O	56117183	1	Chain Kit
O	56120307	1	Rear Wheel Kit

= Revised or new since last update

BRUSH SELECTOR GUIDE - DISC

We provide brushes and pad holders that will give you the best possible performance between machine and floor. Following are descriptions of the materials and their applications.

- ProLite:** Bristles are made from light-duty polypropylene for general scrubbing when you do not want to scratch or remove finish from the floor. Recommended for use in place of red pads.
- Prolene:** Polypropylene material for medium-duty scrubbing on concrete, terrazzo and vinyl floor tile. Recommended for use in place of green or blue pads.
- Union Mix:** Medium grade natural fibers for polishing finished floors with standard-speed equipment. Recommended for use in place of white pads.
- AgLite Grit 500:** For light scrubbing when used wet; buffing or polishing when used dry on urethane coated, sealed concrete or other resilient hard surface floors. Recommended for use in place of red or white pads.
- MidGrit 240:** For general purpose scrubbing when you need a lighter action for sealed or unsealed concrete, stone, terrazzo, quarry tile and other resilient hard floor surfaces. Recommended for use in place of green or blue pads.
- MidLite Grit 180:** For general purpose scrubbing of sealed or unsealed concrete, stone, terrazzo, quarry tile and other resilient hard floor surfaces. Recommended for use in place of green or blue pads.
- Dyna Grit 80:** For aggressive, heavy-duty scrubbing or stripping of floors. Recommended for use in place of brown pads.
- Magna Grit 46:** For extreme heavy-duty scrubbing or stripping of floors. This brush has extra large diameter silicon carbide grit impregnated synthetic bristles. Recommended for use in place of black pads.
- Short Trim Pad Holder:** Made with a structural foam block and center ring for correct pad centering. It has a "shower feed" design for getting solution to the floor.

SC4000 28D DISC BRUSHES

- 56505800 - Pad Holder-14 3 Lug
- 56505801 - Disc Brush-14 Magnagrit 3 Lug
- 56505802 - Disc Brush-14 Dynagrit 3 Lug
- 56505803 - Disc Brush-14 Aglite 3 Lug
- 56505804 - Disc Brush-14 Prolene 3 Lug
- 56505805 - Disc Brush-14 Prolite 3 Lug
- 56505806 - Disc Brush-14 Union Mix 3 Lug
- 56505807 - Disc Brush-14 Midgrit 3 Lug
- 56505808 - Disc Brush-14 Midlite 3 Lug

SC4000 34D DISC BRUSHES

- 56505780 - Pad Holder-17 3 Lug
- 56505781 - Disc Brush-17 Magnagrit 3 Lug
- 56505782 - Disc Brush-17 Dynagrit 3 Lug
- 56505783 - Disc Brush-17 Aglite 3 Lug
- 56505784 - Disc Brush-17 Prolene 3 Lug
- 56505785 - Disc Brush-17 Prolite 3 Lug
- 56505786 - Disc Brush-17 Union Mix 3 Lug
- 56505787 - Disc Brush-17 Midgrit 3 Lug
- 56505788 - Disc Brush-17 Midlite 3 Lug

DISC BRUSH APPLICATION GUIDE (SUGGESTION ONLY)

	46	80	180	240	500	Prolene	Prolite	Union Mix
Application	Grit	Grit	Grit	Grit	Grit			
Stripping:								
Concrete	X	X						
Terrazzo	X	X						
Ceramic/Quarry tile		X						
Vinyl tile		X						
General Scrubbing:								
Concrete	X	X	X	X		X		
Terrazzo			X	X	X	X		
Ceramic/Quarry tile			X	X	X	X		
Marble					X		X	
Vinyl tile			X		X	X		
Raised-rubber tile					X		X	
Polishing:								
Raised Disc Tile								X
Marble								X
Vinyl tile								X

BRUSH SELECTOR GUIDE - CYLINDRICAL

We provide brushes and pad holders that will give you the best possible performance between machine and floor. Following are descriptions of the materials and their applications.

- Soft Nylon:** Least aggressive brush available. Used on soft-finish floors where a more aggressive brush would leave scratch marks, or in applications requiring very light cleaning.
- Stiff Nylon:** Cleaning action similar to polypropylene. More durable and wear-resistant than polypropylene.
- Prolene:** Low cost, yet effective in cleaning many common floor surfaces.
- MidLite Grit 180:** Least aggressive grit brush. Used for daily cleaning of hard-finished floors.
- Dyna Grit 80:** Medium aggressive grit brush. Good all-around brush for medium to heavy buildup removal. Can also be used for general stripping operations.
- Magna Grit 46:** Most aggressive grit brush. Used primarily to clean heavy buildup on concrete floors in factories, or for heavy stripping of finish.

SC4000 28C CYLINDRICAL BRUSHES

56412191 - Brush Soft Nylon 28
 56412192 - Brush Hard Nylon 28
 56412046 - Brush Polypropylene 28
 56412193 - Brush 180 Grit 28
 56412194 - Brush 80 Grit 28
 56412195 - Brush 46 Grit 28

SC4000 32C CYLINDRICAL BRUSHES

56407474 - Brush Hard Nylon 32-Natural
 56407476 - Brush 180 Grit 32-Blue/Grey
 56407477 - Brush 80 Grit 32-Black
 56407473 - Brush Soft Nylon 32-Yellow
 56407475 - Brush Polypropylene 32-Red
 56407478 - Brush-Cyl-46 Magnagrit-Orange

CYLINDRICAL BRUSH APPLICATION GUIDE (SUGGESTION ONLY)

Application	46 Grit	80 Grit	180 Grit	Polypro- pylene	Stiff Nylon	Soft Nylon
Stripping:						
Concrete	X	X				
Terrazzo	X	X				
Ceramic/Quarry tile		X				
Vinyl tile		X				
General Scrubbing:						
Concrete	X	X	X	X	X	
Terrazzo			X	X	X	X
Ceramic/Quarry tile			X	X	X	X
Marble			X		X	X
Vinyl tile			X	X	X	X
Raised-rubber tile			X			X

SQUEEGEE BLADE SELECTOR GUIDE

Gum Rubber: Provides superior wiping action on tile, terrazzo, and polished floors.

Linatex: Provides longest life on finished or unfinished concrete floors.

Polyurethane: Oil resistance provides superior life in applications with oily floors.

SQUEEGEE BLADE APPLICATION GUIDE(SUGGESTION ONLY)

	Gum Rubber (Natural Rubber)	Linatex (Natural Rubber)	Polyurethane/ Primothane
Performance Traits			
Tear Strength		X	X
Abrasion Resistance		X	X
Applications			
Oil Resistant Applications			X
Appearance	Tan	Red	Translucent

9435 Winnetka Ave North
Minneapolis, MN 55445
www.advance-us.com
Phone: 800-989-2235
Fax: 800-989-6566
©2023 Nilfisk, Inc.

