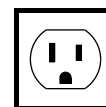
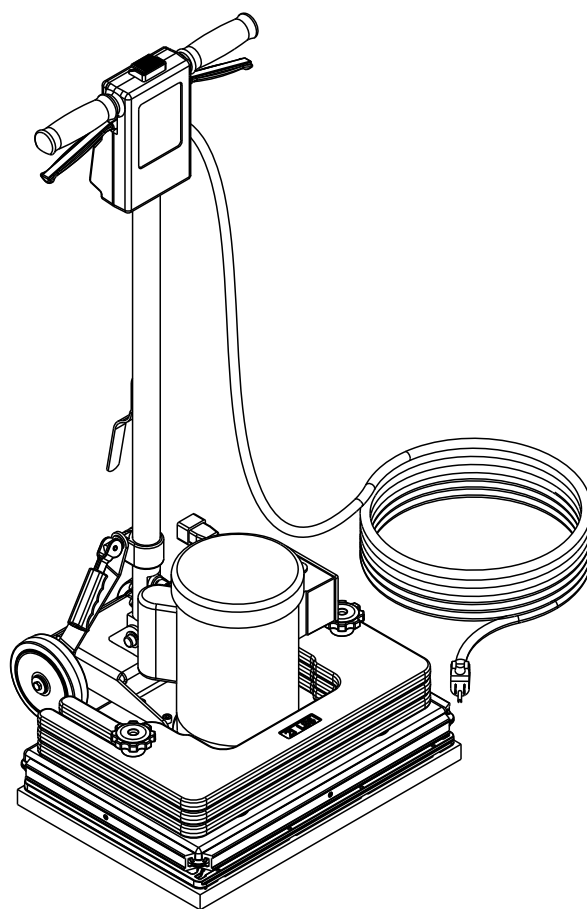


FM810 ST, FM810 XP

Parts List

2/2015 revised 12/2019 REV E
Form no. 56042635



Model No:
56105614 (ST), 56105616 (XP)

TABLE OF CONTENTS

| DESCRIPTION | PAGE |
|--------------------------------|------|
| General View and Options | 1 |
| Handle Assy | 2-3 |
| Wiring Diagram | 3 |
| Base Assy-XP | 4-5 |
| Base Assy-ST | 6-7 |

WHEN ORDERING PARTS

* Use the part numbers from the "Ref. No." columns in this parts list. If the "Ref. No." column is blank; look under the "Kit" column to identify which kit contains the part in question, then use the kit callout, for example "K1", to find the "Ref. No." for that kit.

| Kit | Item | Ref. No. | Qty | Description |
|-----|------|-----------------|-----|-----------------------------------|
| K1 | 1 | | 16 | Washer Flat 3/16 Zinc Plat |
| K1 | 2 | | 2 | Screw-BHS-Brass-10-32x3/8-MS |
| K1 | 3 | | 3 | Washer EPDM 7/32 X 1/8 |
| | 4 | 805 | 1 | Chain-Cover |
| | 5 | 905 | 2 | Caster Swivel 4 Gray Non MA |
| K1 | 6 | | 2 | Nut, Hex Nyl Loc 10-24 |
| K1 | 7 | | 3 | Scr- Hex SS 1/4-20 X .75 |
| K1 | 8 | | 16 | Scr, Hex Hd Loc 1/4-20 x .50 |
| K1 | 9 | | 3 | Wsh, Flt SS .260 X 1.000 X .074 |
| | 10 | 56113012 | 1 | Solution Tank |
| | 11 | 56113034 | 2 | Hinge Plate |
| K1 | | <u>56113103</u> | 1 | <u>Kit-Hardware Solution Tank</u> |

* Specify the model and serial number of the machine.

* Use the space below to record the model and serial number for future reference.

Model _____ Serial No. _____

GENERAL VIEW AND OPTIONS

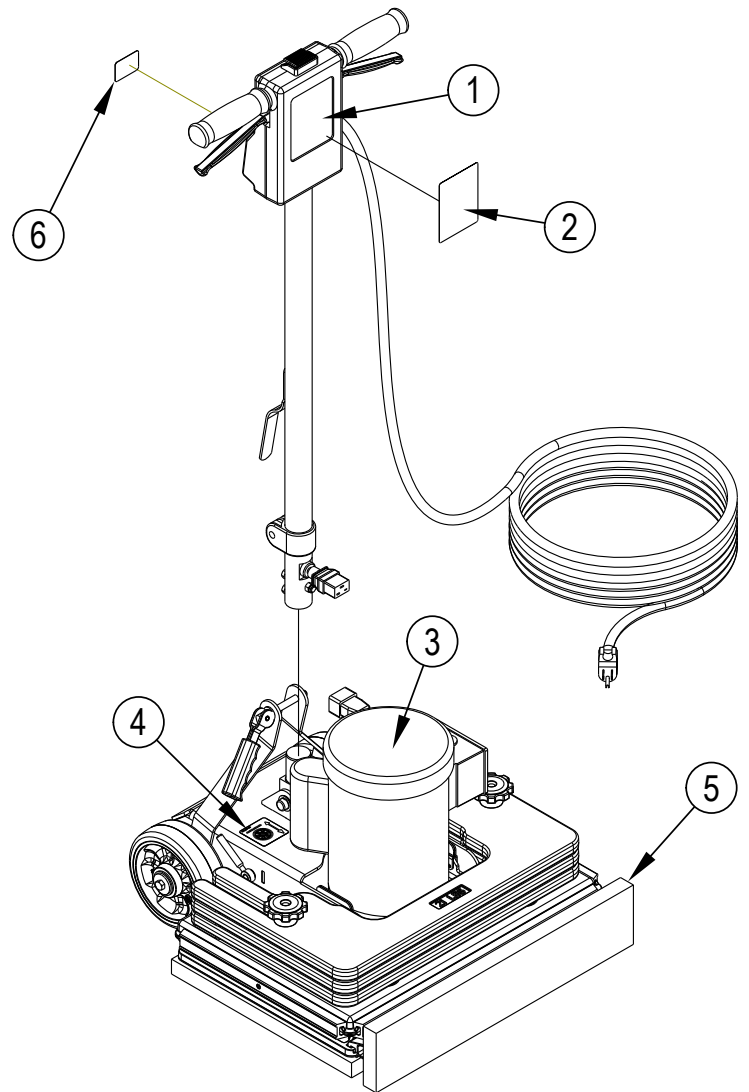
| Item | Ref. No. | Qty | Description |
|------|----------|-----|--|
| 1 | | 1 | Handle Assembly-14 X 20 |
| 2 | 56105731 | 1 | Decal-FM810 ST |
| 2 | 56105732 | 1 | Decal-FM810 XP |
| 3 | | 1 | Base Assembly |
| 4 | 56105756 | 1 | Decal-Wheel-Lock (FM810XP only) |
| 5 | 56105780 | 1 | Base Board Kit (Std. on XP, optional on ST) TSB-FC-2015-045 |
| 6# | 56394259 | 1 | Decal Prop 65 |

OPTIONS

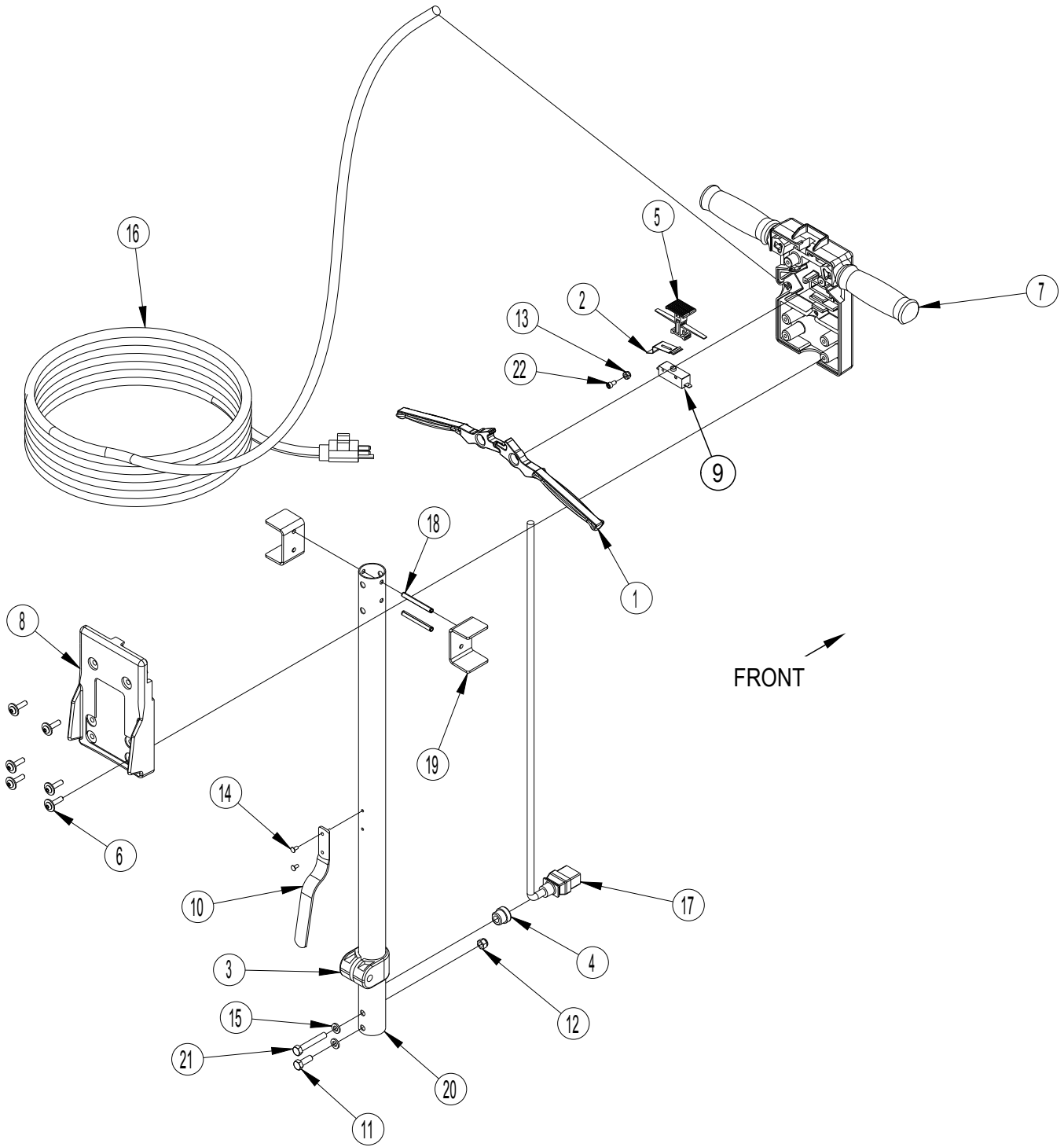
| | | | |
|---|----------|---|---------------------------------------|
| * | 56105738 | 1 | 2.5 Gallon Tank Kit |
| * | 56105780 | 1 | Base Board Kit TSB-FC-2015-045 |
| * | 56105742 | 1 | Vacuum Skirt Kit |
| * | 56105772 | 1 | Skirt-Splash Kit |
| * | 56105746 | 1 | Isolator-FM810-FM40 Kit |
| * | 56105747 | 1 | Bonnet-Carpet-14x20-2/Cs |
| * | 56105748 | 1 | Pad-Diamond-800gr-14x20-2/Cs |
| * | 56105749 | 1 | Pad-Diamond-1500gr-14x20-2/Cs |
| * | 56105750 | 1 | Pad-Diamond-3000gr-14x20-2/Cs |
| * | 56105751 | 1 | Pad-Diamond-8000gr-14x20-2/Cs |
| * | 56105779 | 1 | Pad-Grout-4x20-10/Cs |
| * | 56383923 | 1 | Pad-Grout-14x20-4/Cs |
| * | 997022 | 1 | Pad-Black-14x20-5/Cs |
| * | 997021 | 1 | Pad-Blue-14x20-5/Cs |
| * | 997024 | 1 | Pad-Maroon-14x20-10/Cs |
| * | 997020 | 1 | Pad-Red-14x20-5/Cs |
| * | 56105778 | 1 | Pad-Edge-Red-4x20-10/Cs |
| * | 997023 | 1 | Pad-White-14x20-5/Cs |

* = Optional, Not Included

= Revised or new since last update



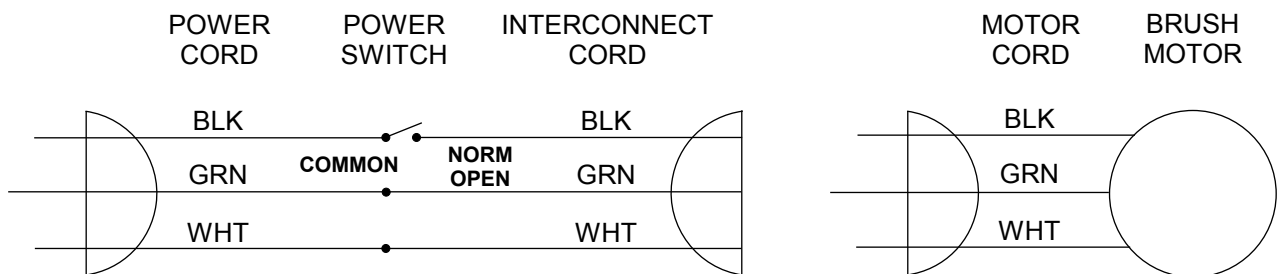
HANDLE ASSY



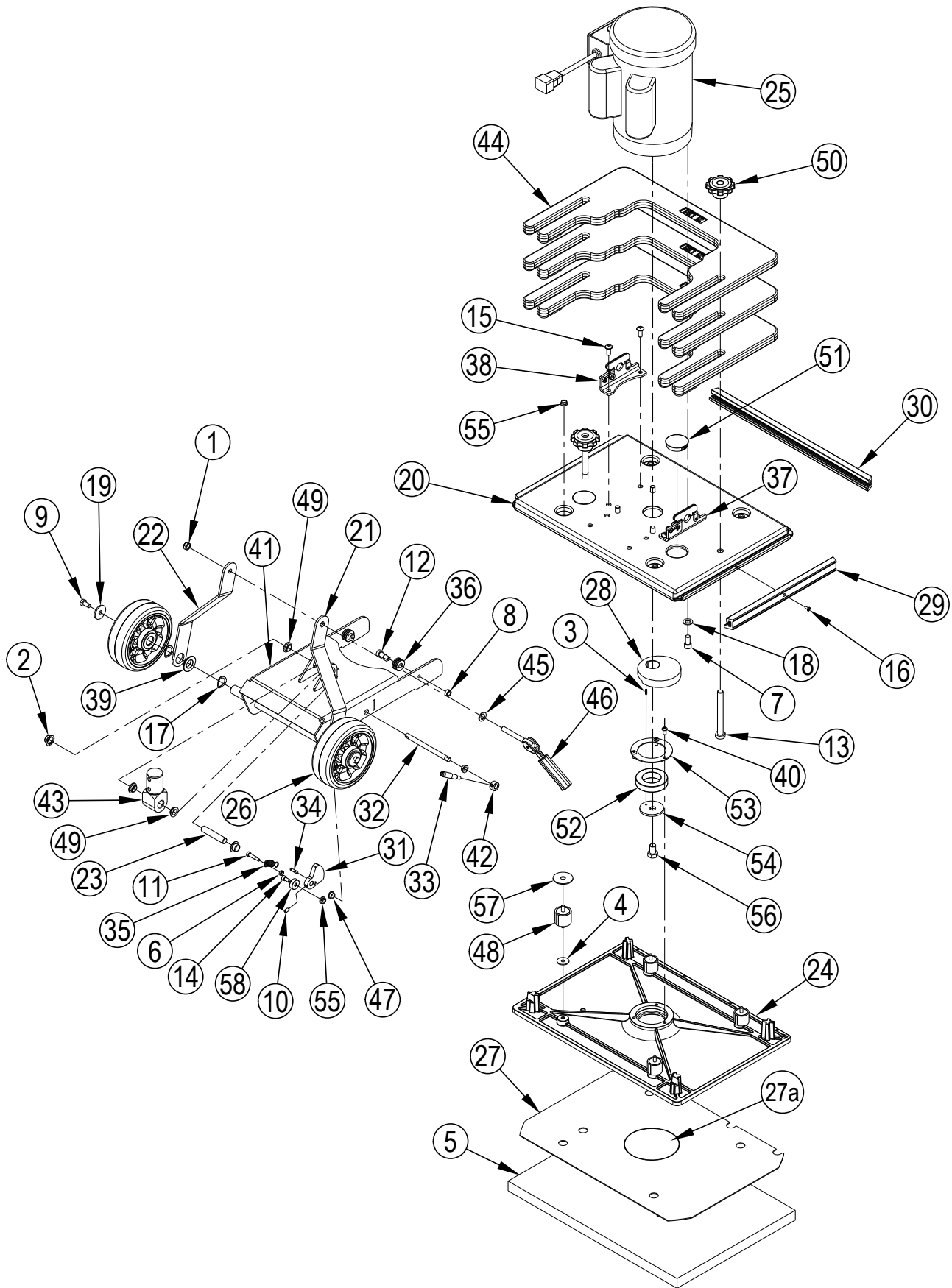
HANDLE ASSY

| Item | Ref. No. | Qty | Description |
|------|----------|-----|---------------------------------|
| 1 | 56201027 | 2 | Handle Lever |
| 2 | 56263648 | 1 | Spring, Plate |
| 3 | 442001 | 1 | Clamp-Handle Tube |
| 4 | 627561 | 1 | Strain-Relief |
| 5 | 56201031 | 1 | Button, Lock |
| 6 | 80292A | 6 | Screw .25-20 X 1.00 Bhr Sems |
| 7 | 56201656 | 1 | Handle, Front |
| 8 | 56201657 | 1 | Handle, Back |
| 9 | 40949A | 1 | Switch Spstno 25a 125vac Ulcsa |
| 10 | 64325A | 1 | Hook-Cord |
| 11 | 85812A | 1 | Screw 5/16-18 X 7/8 Hex Hd Gr5 |
| 12 | 920110 | 1 | Nut, 5/16-18 Hex Lock |
| 13 | 920722 | 1 | Nut 10-32 Esna |
| 14 | 930005 | 2 | Rivet 5/32 X .32 |
| 15 | 980652 | 2 | Washer, 5/16 Lock |
| 16 | 40760A | 1 | Cord Power |
| 17 | 56382460 | 1 | Cord-No Relief Interconnect |
| 18 | 53834A | 2 | Pin, Coiled |
| 19 | 61726A | 2 | Support, Handle Mnt |
| 20 | 61825A | 1 | Tube-Handle |
| 21 | 85817A | 1 | Screw 5/16-18 X 2.00 Hex HD GR5 |
| 22 | 80290A | 1 | Screw 10-32 X .38 HRCS |

WIRING DIAGRAM



BASE ASSY-XP



BASE ASSY-XP

| Kit | Item | Ref. No. | Qty | Description |
|-----|------|----------|-----|--|
| | 1 | 56002841 | 1 | Nut Hex Nyl Loc-Thin 3/8-16 |
| | 2 | 920346 | 2 | Palnut #Pw500015 Type W |
| | 3 | 925589 | 1 | Pin, Roll |
| K1 | 4 | 56009002 | 4 | Washer Flat .266x.906x.060 |
| | 5 | 997020 | 1 | Boost 20 Red Pad |
| | 6 | 56002832 | 1 | Nut, Hex Nyl Loc-Thin 10-24 |
| | 7 | 86112A | 4 | Screw-3/8-16 X 3/4-socket Head |
| | 8 | 56002851 | 2 | Nut, Hex Nyl Loc-Thin Ss 5/16-18 |
| | 9 | 56002929 | 2 | Scr-Hex Hd Loc 5/16-18x.62 |
| | 10 | 56002930 | 1 | Scr. Soc Set Loc 1/4-20 X .38 |
| | 11 | 56003972 | 1 | Scr-Soc Shd Ss .25x.75x10-24 |
| | 12 | 56003818 | 2 | Scr-Soc Shd Ss .38 X .50 X 5/16-18 |
| | 13 | 56003910 | 2 | Scr-Hex FT SS M12-1.75 X 110mm |
| | 14 | 56002115 | 2 | Scr Soc Hd 1/4-20 X .50 |
| | 15 | 56003968 | 4 | Scr-Soc Hd 5/16-18x.75 Tapt li |
| | 16 | 56003969 | 3 | Scr-Soc Hd #8-32x.38 Tapt li |
| | 17 | 56009021 | 4 | Wsh, Bowed .781x1.062x.014 |
| | 18 | 56009112 | 4 | Wsh, Int Shprf 3/8 |
| | 19 | 56009294 | 2 | Wsh, Flt .354 X 1.247 X .120 |
| | 20 | 56105630 | 1 | Frame-Main |
| | 21 | 56105774 | 1 | Link-Arm-Right-Lx |
| | 22 | 56105773 | 1 | Link-Arm-Left-Lx |
| | 23 | 56105637 | 1 | Pin-Handle |
| | 24 | 56105639 | 1 | Base-Orbital |
| | 25# | 56385093 | 1 | Motor-115vac-3450rpm-1.5hp NOTE 1 |
| | [#] | 56385100 | 1 | Capacitor-Start-Motor |
| | [] | 56385096 | 1 | Relay-Motor-Pu115-124 |
| | [] | 56385102 | 1 | Capacitor-Run-Motor |
| | [] | 56385103 | 1 | Switch-Thermal-Motor |
| | [] | 56385101 | 1 | Cord-IEC-Motor |
| | 26 | 56105651 | 2 | Wheel-2x6 |
| | 27 | 56105652 | 1 | Pad-Grip Orbital-Base |
| K1 | 27a | 56105728 | 1 | Grip-Center |
| | 28 | 56105654 | 1 | Eccentric-Ranger |
| | 29 | 56105661 | 2 | Bumper-Side |

| Kit | Item | Ref. No. | Qty | Description |
|-----|------|----------|-----|------------------------------------|
| | 30 | 56105662 | 1 | Bumper-Front |
| | 31 | 56105665 | 1 | Cam-Lock |
| | 32 | 56105666 | 1 | Shaft-Lift |
| | 33 | 56105755 | 1 | Lift Lever Assembly |
| | 34 | 56105670 | 1 | Pin-Groove |
| | 35 | 56105671 | 1 | Spring-Lift |
| | 36 | 56105673 | 2 | Bushing-Release |
| | 37 | 56105681 | 1 | Latch Assy-Right |
| | 38 | 56105685 | 1 | Latch Assy-Left |
| | 39 | 56105694 | 2 | Bushing-Link Arm |
| | 40 | 87700A | 3 | Screw 1/4-20 X 1/2 B.H. |
| | 41 | 56105699 | 1 | Wheel Chassis Weldment Lx |
| | 42 | 56105700 | 1 | Collar-Shaft |
| | 43 | 56105711 | 1 | Tongue-Handle-Tube |
| | 44 | 56105713 | 3 | Weight Assembly |
| | 45 | 56105727 | 1 | Washer-Wear-Cam |
| | 46 | 56109699 | 1 | Cam Assy With Grip |
| | 47 | 56303285 | 2 | Bearing, FL .500x.375x.250 |
| K1 | 48 | | 4 | Isolator-1.25 30 Duro 1/4-20 |
| | 49 | 56413211 | 4 | Bearing, Flange .625 X .500 X .250 |
| | 50 | 56380149 | 2 | Knob-M12-1.75 Thru |
| | 51 | 56105753 | 2 | Plug-1-3/4in Hole |
| | 52 | 50736A | 1 | Bearing |
| | 53 | 66981A | 1 | Retainer Bearing Obs-18 |
| | 54 | 66982A | 1 | Retainer Eccentric Obs-18 |
| K1 | 55 | 81220A | 5 | Nut, Serrated Flange |
| | 56 | 85718A | 1 | Scr 1/2-13 X 3/4 Hc St Grd 2 |
| K1 | 57 | | 4 | Washer Rubber 3/8 Id X 1-1 |
| | 58 | 56105771 | 1 | Stop-Cam |

Service Kits

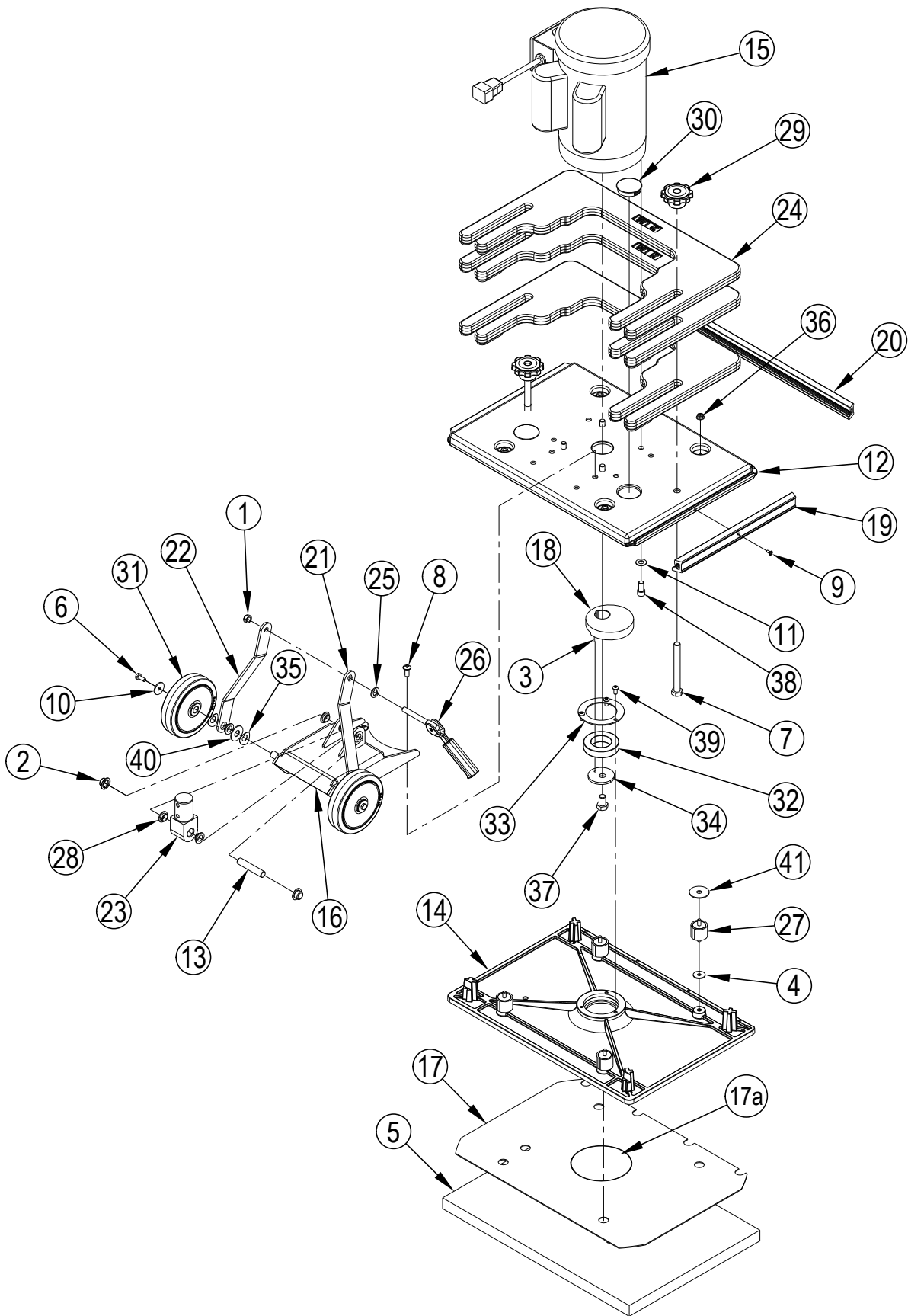
| | | | |
|----|----------|---|-------------------------|
| K1 | 56105746 | 1 | Isolator-FM810-FM40 Kit |
|----|----------|---|-------------------------|

[] = Not Shown

= Revised or new since last update

NOTE 1: Motor 56385093 replaced motor 56105645. Replacement parts listed for 56385093 will not work on motor 56105645. The only replacement part available for 56105645 is Brush Kit-Motor 56510764.

BASE ASSY-ST



BASE ASSY-ST

| Kit | Item | Ref. No. | Qty | Description |
|-----|------|----------|-----|--|
| | 1 | 56002841 | 1 | Nut Hex Nyl Loc-Thin 3/8-16 |
| | 2 | 920346 | 2 | Palnut #Pw500015 Type W |
| | 3 | 925589 | 1 | Pin, Roll |
| K1 | 4 | 56009002 | 4 | Washer Flat .266x.906x.060 |
| | 5 | 997020 | 1 | Boost 20 Red Pad |
| | 6 | 56002922 | 2 | Scr-Hex Hd Loc 1/4-20x.62 |
| | 7 | 56003910 | 2 | Scr-Hex FT SS M12-1.75 X 110mm |
| | 8 | 56003968 | 4 | Scr-Pan Phil 5/16-18x.75 Tapt li |
| | 9 | 56003969 | 3 | Scr-Soc Hd #8-32x.38 Tapt li |
| | 10 | 56009060 | 2 | Wsh-Fit Ss .260 X 1.000 X .074 |
| | 11 | 56009112 | 4 | Wsh, Int Shprf 3/8 |
| | 12 | 56105630 | 1 | Frame-Main |
| | 13 | 56105637 | 1 | Pin-Handle |
| | 14 | 56105639 | 1 | Base-Orbital |
| | 15# | 56385093 | 1 | Motor-115vac-3450rpm-1.5hp NOTE 1 |
| | [#] | 56385100 | 1 | Capacitor-Start-Motor |
| | [] | 56385096 | 1 | Relay-Motor-Pu115-124 |
| | [] | 56385102 | 1 | Capacitor-Run-Motor |
| | [] | 56385103 | 1 | Switch-Thermal-Motor |
| | [] | 56385101 | 1 | Cord-IEC-Motor |
| | 16 | 56105646 | 1 | Wheel Chassis Weldment |
| | 17 | 56105652 | 1 | Pad-Grip Orbital-Base |
| K1 | 17a | 56105728 | 1 | Grip-Center |
| | 18 | 56105654 | 1 | Eccentric-Ranger |
| | 19 | 56105661 | 2 | Bumper-Side |
| | 20 | 56105662 | 1 | Bumper-Front |
| | 21 | 56105766 | 1 | Link-Arm-Right |
| | 22 | 56105767 | 1 | Link-Arm-Left |
| | 23 | 56105711 | 1 | Tongue-Handle-Tube |
| | 24 | 56105713 | 3 | Weight Assembly |
| | 25 | 56105727 | 1 | Washer-Wear-Cam |
| | 26 | 56109699 | 1 | Cam Assy With Grip |
| K1 | 27 | | 4 | Isolator-1.25 30 Duro 1/4-20 |
| | 28 | 56413211 | 6 | Bearing, Flange .625 X .500 X .250 |
| | 29 | 56380149 | 2 | Knob-M12-1.75 Thru |
| | 30 | 56105753 | 2 | Plug-1-3/4in Hole |
| | 31 | 39857A | 2 | Wheel 5 X 1.50 X .500 |
| | 32 | 50736A | 1 | Bearing |
| | 33 | 66981A | 1 | Retainer Bearing Obs-18 |
| | 34 | 66982A | 1 | Retainer Eccentric Obs-18 |
| | 35 | 80295A | 4 | Washer Bowed |
| K1 | 36 | 81220A | 4 | Nut, Serrated Flange |
| | 37 | 85718A | 1 | Scr 1/2-13 X 3/4 Hc St Grd 2 |
| | 38 | 86112A | 4 | Screw-3/8-16 X 3/4-Socket Head |
| | 39 | 87700A | 3 | Screw 1/4-20 X 1/2 B.H. |
| | 40 | 87607A | 2 | Washer Fit 1.25x.52x.06 Nylon |
| K1 | 41 | | 4 | Washer Rubber 3/8 Id X 1-1 |

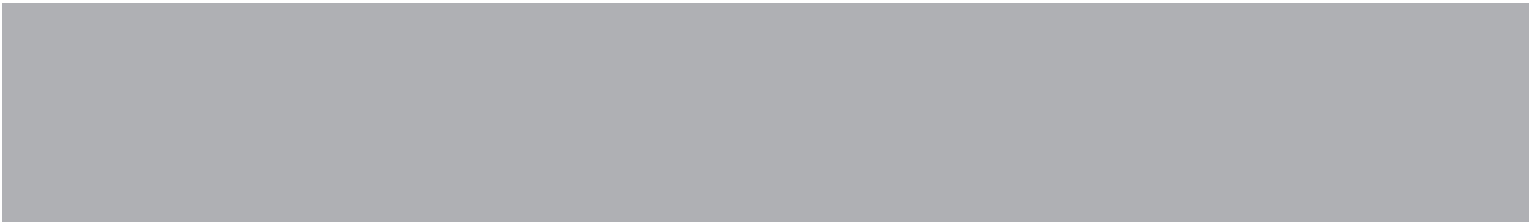
Service Kits

K1 56105746 1 Isolator-FM810-FM40 Kit

[] = Not Shown

= Revised or new since last update

NOTE 1: Motor 56385093 replaced motor 56105645. Replacement parts listed for 56385093 will not work on motor 56105645. The only replacement part available for 56105645 is Brush Kit-Motor 56510764.



9435 Winnetka Ave North
Minneapolis, MN 55445
www.advance-us.com
Phone: 800-989-2235
Fax: 800-989-6566
©2019 Nilfisk, Inc.

