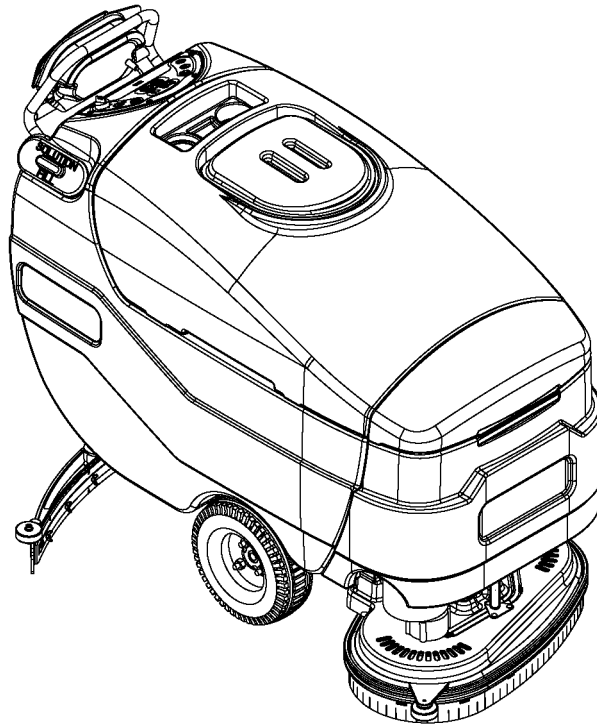


Warrior ST™, Warrior™ EcoFlex



PARTS LIST

Standard Models:

**56315036(28D), 56315037(32D), 56315038(28C), 56315039(32C-C),
56307250(28D-C), 56315538(28D-C), 56315539, 56315786(32D-C),
56315540(28C-C)**

Obsolete AXP Models:

**56315040(X28D-C), 56315041(X32D-C), 56315541(X28C-C),
56315542(X32C-C)**

EcoFlex Models:

**56381014(X28D-C), 56381015, 56381017(X32D-C), 56381024(X28C-C),
56381028(X32C-C)**



Advance

4/2005 revised 7/2016 FORM NO. 56042463 REV G

TABLE OF CONTENTS

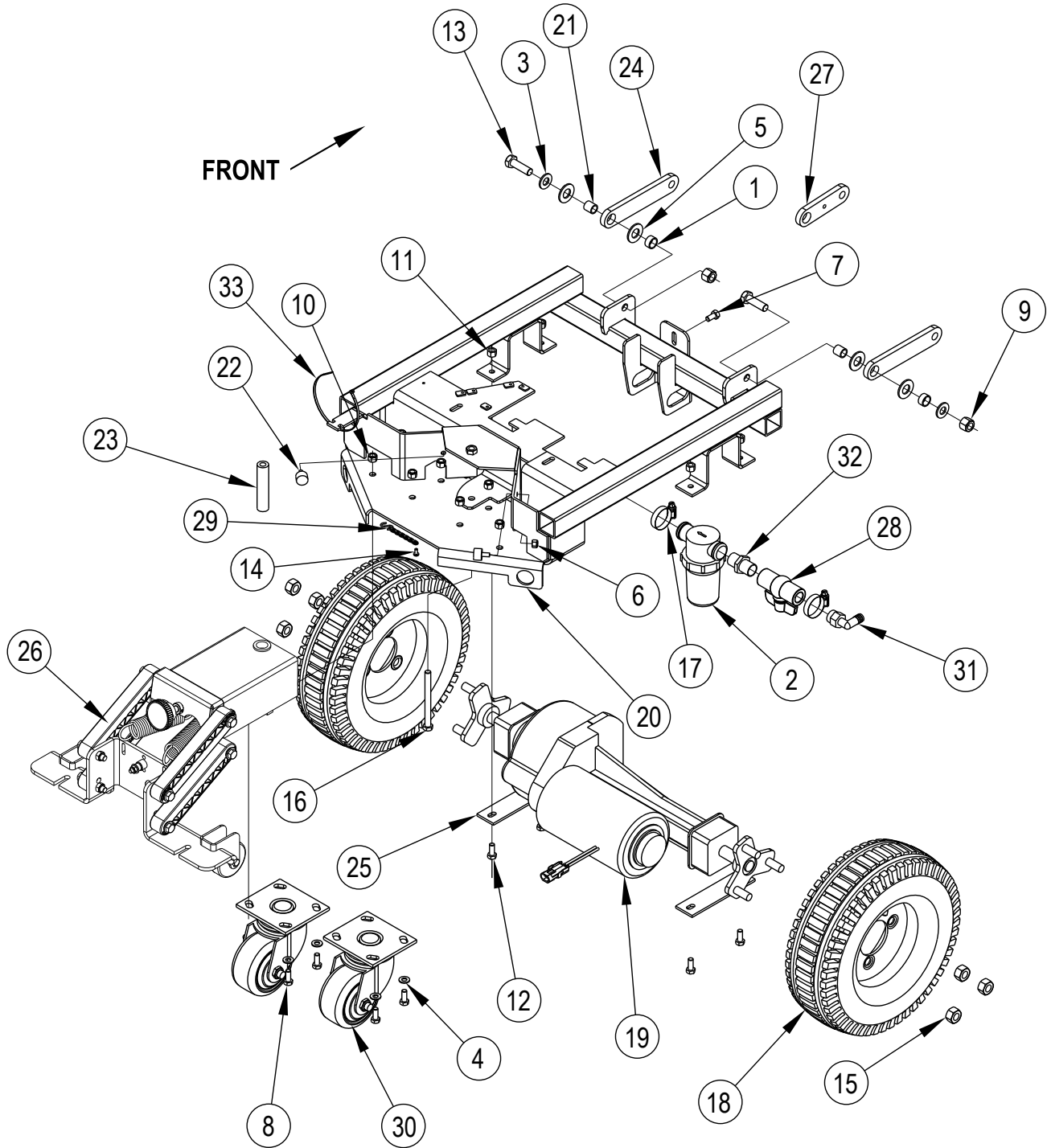
DESCRIPTION	PAGE
Chassis System	2-3
Chassis System - Squeegee Linkage Assy before SN1926624	4-5
Chassis System - Squeegee Linkage Assy after SN1926623	6-7
Decal System.....	8-9
Recovery System.....	10-11
Scrub System - Disk before SN1000025514	12-13
Scrub System - Disk after SN1000025514	14-15
Scrub System - Cylindrical.....	16-17
Solution - Electrical System-1 - EcoFlex™	18-19
Solution - Electrical System-2 - EcoFlex™	20-21
Solution - Electrical System-1 - STD	22-23
Solution - Electrical System-2 - STD	24-25
Chemical Assy - EcoFlex™	26-27
Paddle Assy	28-29
Squeegee Assy	30-31
Ladder Diagram - before September 2009	32-33
Ladder Diagram - after September 2009	34-35
Optional Kits & Accessories	36
Brush Selector Guide-Disk	37
Brush Selector Guide-Cylindrical.....	38
Squeegee Blade Selector Guide	39

WHEN ORDERING PARTS

- * Use the part numbers from the “Ref. No.” columns in this parts list.
- * Specify the model and serial number of the machine.
- * Use the space below to record the model and serial number for future reference.

Model _____ Serial No. _____

CHASSIS SYSTEM



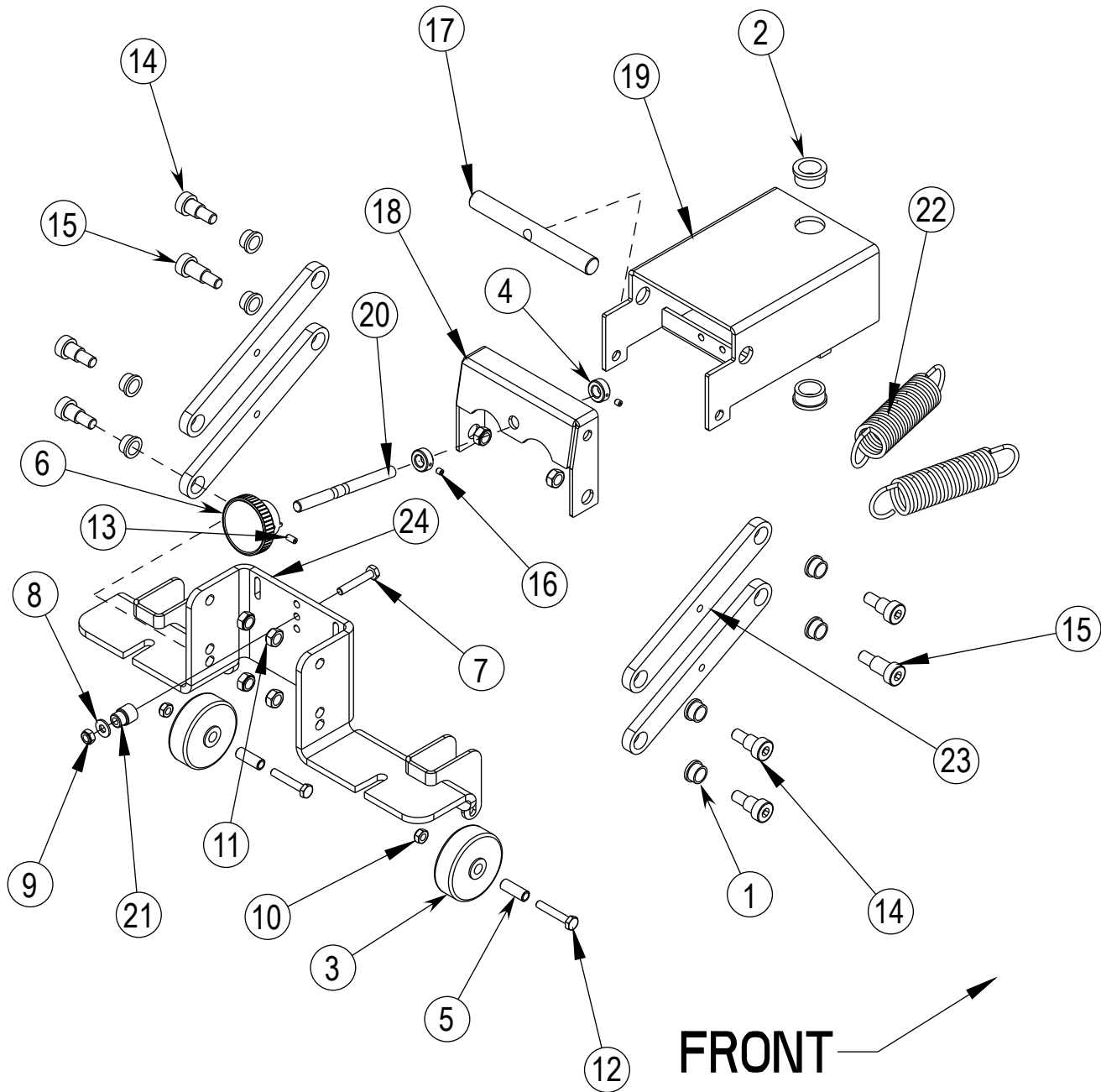
CHASSIS SYSTEM

Item	Ref. No.	Qty	Description
1	56370878	2	Bearing, Sleeve
2	56412173	1	Solution Filter
3	56001879	2	Wsh, Flt SAE 1/2
4	56001939	10	Wsh, Flt SAE 5/16
5	56002022	4	Wsh, Flt SAE 5/8
6	56002708	2	Nut, Hex Nyl Loc 1/4-20
7	56003012	3	Scr, Hex SS 5/16-18 X .75
8	56003179	8	Scr, Hex Thd To Hd M8-1.25 X 20mm
9	56003312	2	Nut, Hex Nyl Loc M12-1.75
10	56003389	8	Nut, Hex Nyl Loc M8-1.25
11	56003405	4	Nut, Hex Nyl Loc SS M8-1.25
12	56003435	4	Scr, Hex SS M8-1.25 X 20mm
13	56003637	2	Scr, Hex M12-1.75 X 40mm
14	56009029	1	Scr, Pan Phil Thd Form 10-24 X .50
15	56009116	6	Nut, Hex Hvy 1/2-20
16	56009241	1	Scr, Hex 3/8-16 X 4.25
17	56131601	2	Clamp, Hose SAE #16
18	56315171	1	Kit, Drive Wheel TSBUS2010-1074 (Before February 2011)
18	56315177	2	Wheel, Drive (After February 2011)
	9096219000	2	Wheel, Polyurethane-Traction (optional)
19	56382500	1	Transaxle, 36v (M1)
	[] 56315676	1	Motor
	[] 56315677	4	Carbon Brush
	[] 56315678	2	Neoprene Mounting Sleeve
	[] 56380164	1	Kit-Coupling
	[] 56380511	A/R	Kit-Hub Transaxle TSBUS2008-1023 / TSBUS2009-1042
	[] 56381779	1	Transaxle Service Kit TSBUS2011-0004
20	56315073	1	Weldment, Chassis
21	56315080	2	Bushing
22	56315111	2	Cylindrical Mount
23	56315154	1	Bushing, Spacer
24	56315179	2	Linkage Arm
25	56315202	2	Plate, Transaxle Mount TSBUS2010-1074
26	56315210	1	Assembly, Squeegee Linkage Large
27	56315239	1	Linkage Arm NOTE 1
28	56381475	1	Ball Valve
29	56315691	1	Ground Chain
30	56365555	2	Caster Swivel 4.0x2.0
31	56409152	1	Barb, 90 Elbow 1/2 X 1/2npt
32	56412182	1	Nipple, Hex 3/4-14
33	56478523	1	Tie, Cable

[] = Not Shown

NOTE 1: As of October 2008 56315239 is no longer used in production. If you need to replace this item please order Kit 56109540.

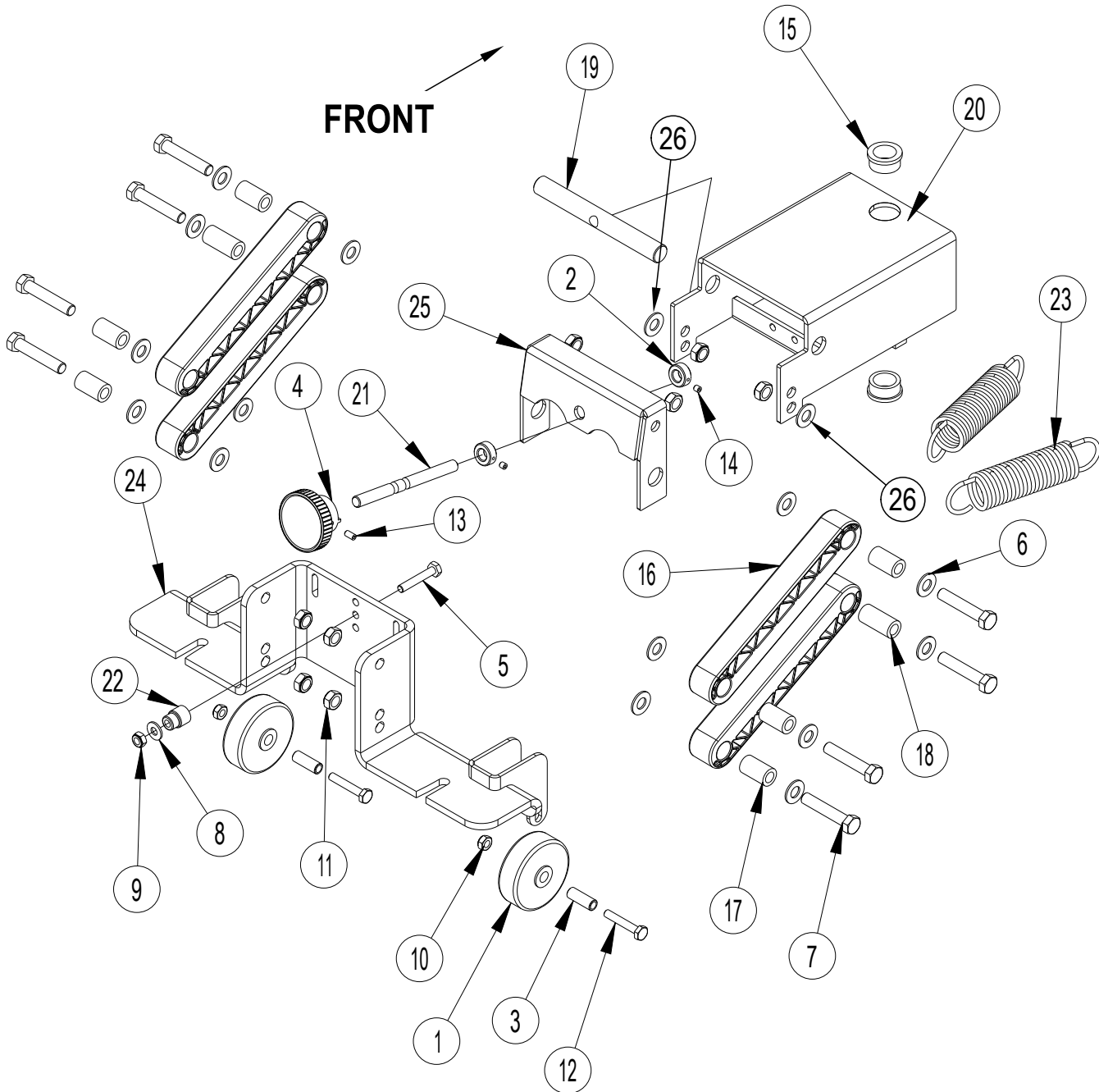
CHASSIS SYSTEM - SQUEEGEE LINKAGE ASSY BEFORE SN1926624



CHASSIS SYSTEM - SQUEEGEE LINKAGE ASSY BEFORE SN1926624

Item	Ref. No.	Qty	Description
	56315210	1	Squeegee Linkage Assembly
1	56185264	8	Bearing, Flange
2	56250414	2	Bearing, Flange
3	56324350	2	Wheel
4	56331076	2	Collar
5	56315580	2	Bushing
6	56475480	1	Knob
7	56001833	1	Scr. Hex 1/4-20 X 1.50
8	56002098	1	Wsh, Flt SAE 1/4
9	56002840	1	Nut, Hex Nyl Loc-Thin 1/4-20
10	56002850	2	Nut, Hex Nyl Loc-Thin SS 1/4-20
11	56003219	8	Nut, Hex Nyl Loc SS 3/8-16
12	56002901	2	Scr. Hex SS 1/4-20 X 1.50
13	56003123	1	Scr. Soc Set 10-2 4x .38
14	56003682	6	Scr. Soc Shd .50 X .50 X 3/8-16
15	56003692	2	Scr. Soc Shd .50 X .75 X 3/8-16
16	56009084	2	Scr. Soc Set Loc 10-24 X .19
17	56315082	1	Pin
18		1	Bracket, Squeegee Level
19	56315208	1	Weldment, Squeegee Large
20	56315240	1	Rod, Adjustment
21	56315245	1	Bushing, Squeegee Cable
22	56315295	2	Spring, Extension
23	56315338	4	Linkage Arm
24	56315698	1	Weldment, Squeegee Mount TSBUS2006-915

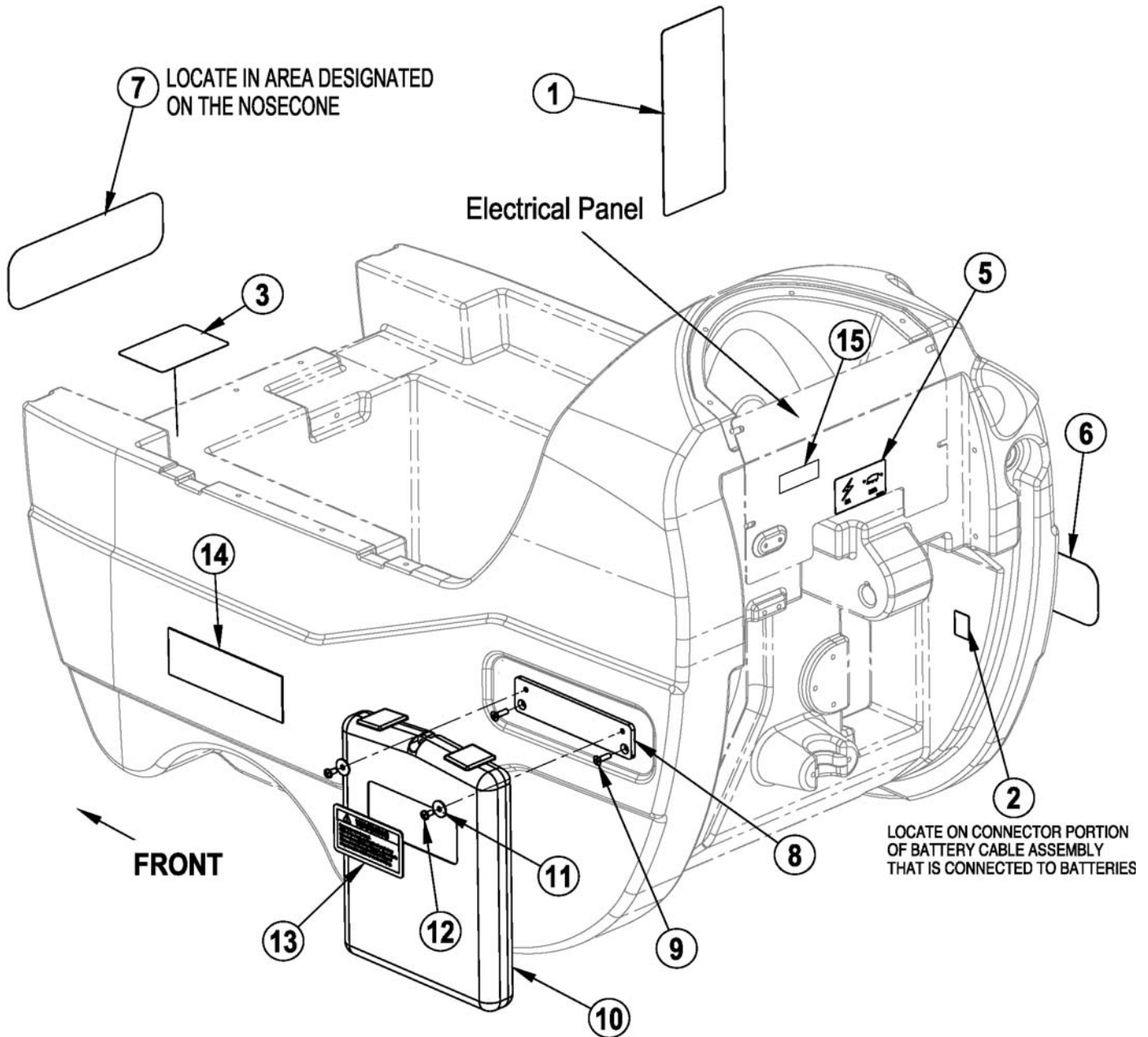
CHASSIS SYSTEM - SQUEEGEE LINKAGE ASSY AFTER SN1926623



CHASSIS SYSTEM - SQUEEGEE LINKAGE ASSY AFTER SN1926623

Item	Ref. No.	Qty	Description
	56315210	1	Squeegee Linkage Assembly
1	56324350	2	Wheel
2	56331076	2	Collar
3	56315580	2	Bushing
4	56475480	1	Knob
5	56001833	1	Scr. Hex 1/4-20 X 1.50
6	56002063	14	Wsh. Flt SAE 3/8
7	56002091	8	Scr. Hex 3/8-16 X 2.00
8	56002098	1	Wsh. Flt SAE 1/4
9	56002840	1	Nut, Hex Nyl Loc-Thin 1/4-20
10	56002850	2	Nut, Hex Nyl Loc-Thin SS 1/4-20
11	56003219	8	Nut, Hex Nyl Loc SS 3/8-16
12	56002880	2	Scr. Hex SS 1/4-20 X 1.75
13	56003123	1	Scr. Soc Set 10-2 4x .38
14	56009084	2	Scr. Soc Set Loc 10-24 X .19
15	56250414	2	Bearing, Flange
16	56315941	4	Linkage Arm, Molded
17	56315067	6	Spacer, Phenolic
18	56315068	2	Spacer, Phenolic
19	56315082	1	Pin
20	56315208	1	Weldment, Squeegee Large
21	56315240	1	Rod, Adjustment
22	56315245	1	Bushing, Squeegee Cable
23	56315295	2	Spring, Extension
24	56315698	1	Weldment, Squeegee Mount TSBUS2006-915
25	56315713	1	Bracket, Squeegee Level
26	56002940	2	Wsh. Flt SAE SS 5/8

DECAL SYSTEM



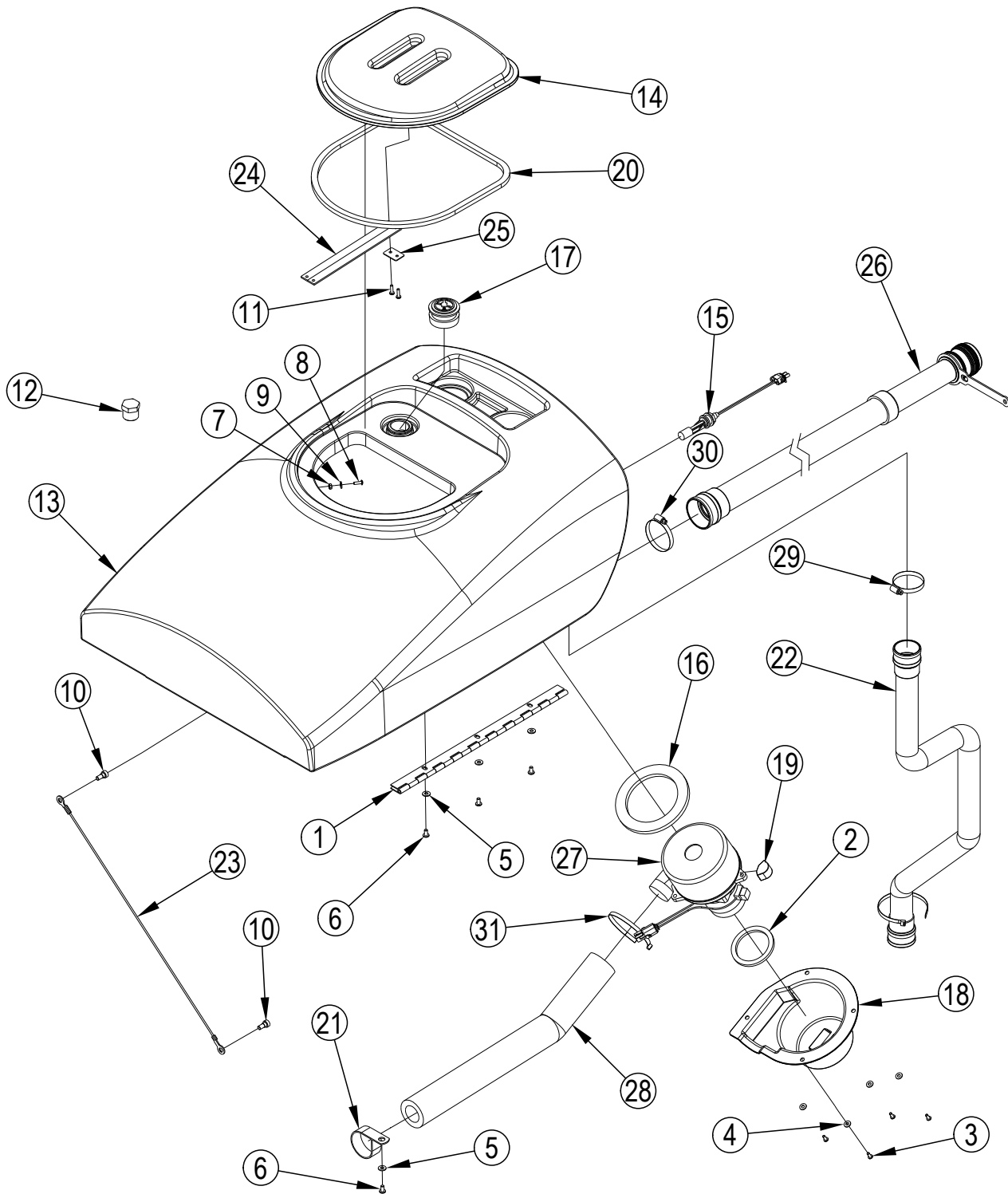
DECAL SYSTEM

<u>Item</u>	<u>Ref. No.</u>	<u>Qty</u>	<u>Description</u>
1	56014601	1	Decal, Caution
2	56016324	1	Decal, Charger
3	56015259	1	Decal, Battery Wiring
5	56016690	1	Decal, Circuit Breaker
6	56016726	2	Decal, Warrior AXP NOTE 1
	56381114	2	Decal-Warrior EcoFlex NOTE 2
	56016727	2	Decal, Warrior ST
7	56016730	1	Decal, Advance
8	56315954	1	Bracket (only used on model 56307250)
9	56003086	2	Scr, Flt Phil SS 1/4-20 x .88 (only used on model 56307250)
10	56306120	1	Box, Waterproof (only used on model 56307250)
11	56009002	2	Wsh, Flt .266 x .906 x .060 (only used on model 56307250)
12	56009069	2	Scr, Pan Phil Loc 1/4-20 x .50 (only used on model 56307250)
13	56306144	1	Decal, Warning (only used on model 56307250)
14	56315953	2	Decal (only used on model 56307250)
15	56014450	1	Decal, Patent Numbers

NOTE 1: Only used on AXP models.

NOTE 2: Only used on EcoFlex models. AXP models are no longer in production and have been replaced by EcoFlex models.

RECOVERY SYSTEM



RECOVERY SYSTEM

<u>Item</u>	<u>Ref. No.</u>	<u>Qty</u>	<u>Description</u>
1	56315694	1	Hinge
2	56412154	1	Gasket, Vacuum Duct
3	56001993	4	Scr. Pan Phil 10-24 X .50
4	56002053	4	Wsh, Flt STD #10
5	56002098	4	Wsh, Flt SAE 1/4
6	56002145	4	Scr. Pan Phil 1/4-20 X .50
7	56002849	2	Nut, Hex Nyl Loc-Thin Ss 10-24
8	56002894	2	Scr Pan Phil SS 10-24 X .75
9	56002919	2	Wsh, Flt STD SS #10
10	56003730	2	Scr Soc Hd.38X.25 5/16-18
11	56003711	2	Scr Pan SS Plastite 10-14 X.62
12	56305464	1	Plug, 3/4 Hex Pipe NOTE 1
13	56315406	1	Tank, Recovery (grey) TSBUS2006-938 / TSBUS2007-952
	56315428	1	Tank, Recovery (green / model 56307250 only)
14	56315176	1	Cover, Recovery Tank
15	56315096	1	Switch, Electromagnetic
16	56315098	1	Gasket
17	56315099	1	Screen, Fan Inlet
18	56315102	1	Shroud, Vac Motor
19	56315141	3	Mount, Vibration
20	56315220	1	Gasket, Recovery Lid
21	56315257	1	Clamp, P
22	56315268	1	Vac Hose Assy.
23	56315272	1	Cable Assy
24	56315303	2	Retaining, Strap
25	56315346	1	Plate
26#	56115436	1	Drain Hose NOTE 2
[]	56601411	1	Drain Hose Cap Kit
[]	56601413	1	Drain Hose kit NOTE 2
**	56601410	1	Drain Hose Extension
27	56391208	1	Vac Motor Assy (M4)
[]	56377001	1	Carbon Brush Set of 2 NOTE 3
[]	56212223	1	Carbon Brush Set of 2 NOTE 4
28	56315375	1	Foam, Acoustical
**	56315597	1	Sound Reduction Kit
29	56440213	1	Clamp, Hose SAE #32
30	56456797	1	Clamp, Hose SAE #36
31	56477613	2	Tie, Cable

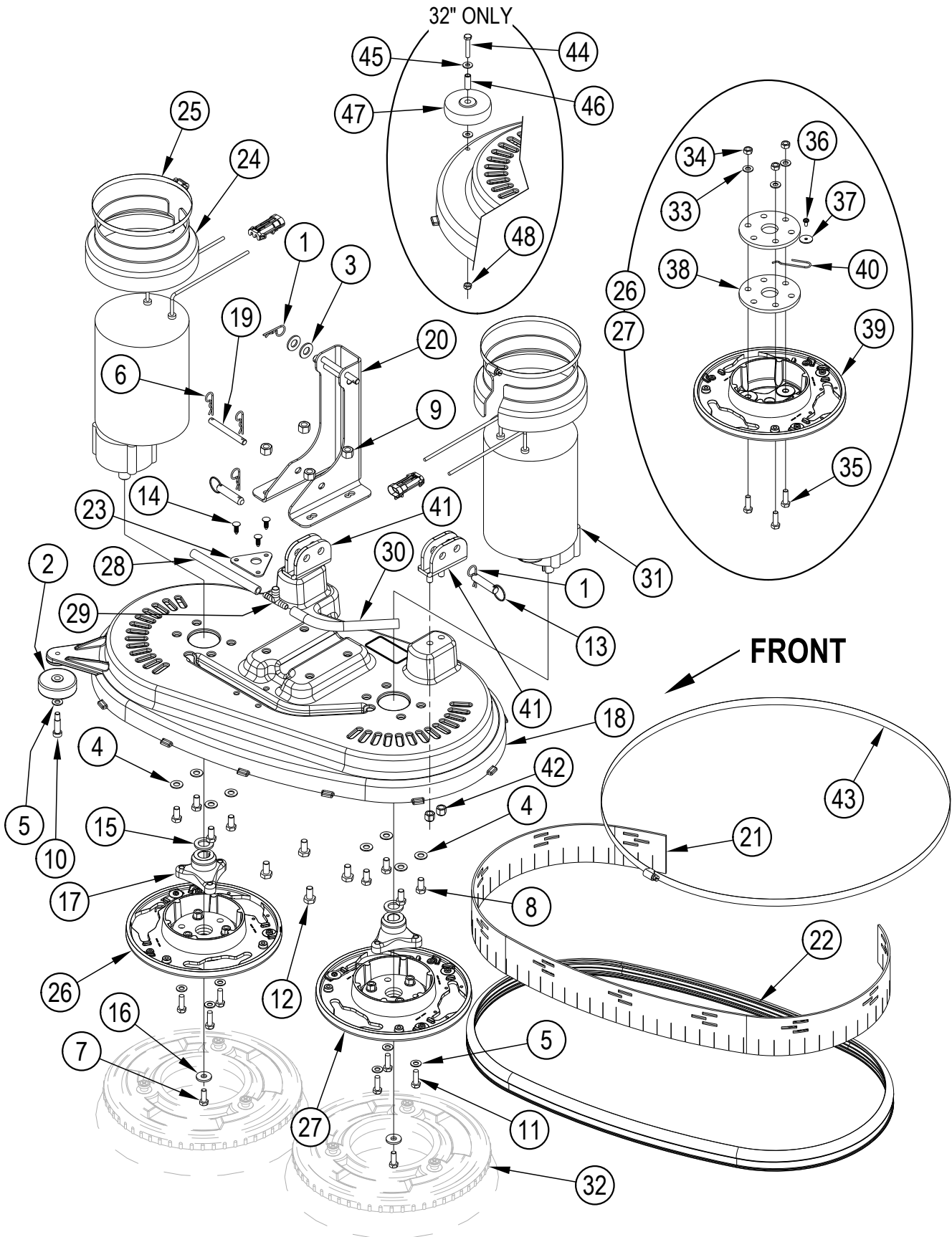
[] = Not Shown

** = Optional (Not Included)

= Revised or new since last update

NOTE 1: Not used after March 2008.**NOTE 2#:** Drain Hoses 56315638, 56601405 and 56381940 have been replaced by Drain Hose 56115436 in production. When replacing 56315638 56601405 or 56381940 you need to order Drain Hose Kit 56601413.**NOTE 3:** For machines built before June 2011 with Vac Motor 56377470 – use Carbon Brushes 56377001.**NOTE 4:** For machines built after June 2011 with Vac Motor 56109731 – use Carbon Brushes 56212223.

SCRUB SYSTEM - DISK BEFORE SN100025514



SCRUB SYSTEM - DISK BEFORE SN100025514

Item	Ref. No.	Qty	Description
1	56002959	3	Pin, Cotter Hair NOTE 3
2	56324350	1	Wheel (28")
3	56001879	2	Wsh, Flt SAE 1/2 NOTE 3
4	56002910	8	Wsh, Flt SAE SS 3/8
5	56002938	7	Wsh, Flt SAE SS 5/16
6	56003120	2	Pin, Cotter Hair .0915 X .375
7	56003335	2	Scr, Hex Loc SS 5/16-18 X .88
8	56003338	8	Scr, Hex Loc SS 3/8-16 X .75
9	56003438	4	Nut, Hex Nyl Loc SS M10-1.5
10	56003472	1	Scr, Soc Shd .38 X 1.00 X 5/16-18 (28")
11	56003477	6	Scr, Hex Loc SS M8-1 X 25mm
12	56003533	4	Scr, Hex SS M10-1.5 X 20mm
13	56003679	2	Pin, Ring .50 X 1.63
14	56003693	3	Rivet, Nylon Tree Push-In (.218)
15	56009022	2	Wsh, Flt .754 X 1.250 X .120
16	56009107	2	Wsh, Flt SS .378 X 1.000 X .120
17	56314108	2	Hub, Drive
18	56315588	1	Scrub Deck, Disc, Cast (28") NOTE 1
	56315859	1	Scrub Deck, Disc, Cast (32") NOTE 1
19	56315161	1	Pin
20	56315719	1	Weld't, Actuator Bracket NOTE 1
21	56315274	1	Skirt, Rubber (28")
	56315626	1	Skirt, Rubber (32")
22	56315754	1	Bumper, Extruded (28") NOTE 2
	56315755	1	Bumper, Extruded (32") NOTE 2
23	56315339	1	Bracket
24	56315648	2	Shroud, Motor
25	56355488	2	Clamp, Hose SAE #96

Item	Ref. No.	Qty	Description
26		1	Lug, Counterclockwise (33-40) TSBUS2009-1039
27		1	Lug, Clockwise (33-40) TSBUS2009-1039
28	56396195	1	Hose, PVC .38id X 6.00
29	56397300	1	Tee, Barb
30	56397301	1	Hose, PVC .375
31	56397316	2	Motor / Gear Unit Assembly 36v (M2 / M3) TSBUS2010-1059
[]	56397139	4	Carbon Brush NOTE 4
[]	56397138	4	Brush Spring NOTE 4
[]	56380637	1	Brush Board Assy NOTE 4
32			See Brush Selector Guide
	56505808	2	Brush Midlite 14 (model 56307250 only)
33	56002938	3	Wsh, Flt SAE SS 5/16
34	56003405	3	Nut, Hex Nyl Loc SS M8-1.25
35	56003639	3	Scr, Hex Hd SS M8-1.25 x 30mm
36	56009030	1	Scr, Pan Phil Thd Form 10-24 x .38
37	56009096	1	Wsh, Flt .193 x .875 x .060
38	56383238	2	Brush Drive Disc
39	56314030	1	Brush Holder
40	56397081	1	Spring Retainer
41	56315373	2	Weld't, Deck Mount Brkt NOTE 1
42	56002769	4	Nut, Hex Nyl Loc 3/8-16 NOTE 1
43	56315759	1	Band Clamp (28")
	56315761	1	Band Clamp (32")
44	56002880	1	Scr, Hex Loc SS 1/4-20 X 1.75 (32")
45	56002859	2	Wsh, Flt SAE SS 1/4 (32")
46	56315580	1	Bushing, Stainless (32")
47	56049261	1	Wheel (32")
48	56002850	1	Nut, Hex Nyl Loc-Thin Ss 1/4-20 (32")

[] = Not Shown

NOTE 1: The Deck Casting (item #18) has been redesigned. The old style castings (56315053 - 28" & 56315052 - 32") are no longer available. If you have a machine built prior to this change **(old style deck assembly DOES NOT include item 41)** and need to replace one of these deck castings you need to order one of the kits listed below. These kits include items (9, 12, 14, 18, 20, 41, 42).

Old Deck	Order Kit
56315053 (28")	56315727
56315052 (32")	56315728

NOTE 2: Extruded Bumpers **PNs 56315318 & 56315627** are obsolete. If you need to replace one of these bumpers please order one of the kits listed below.

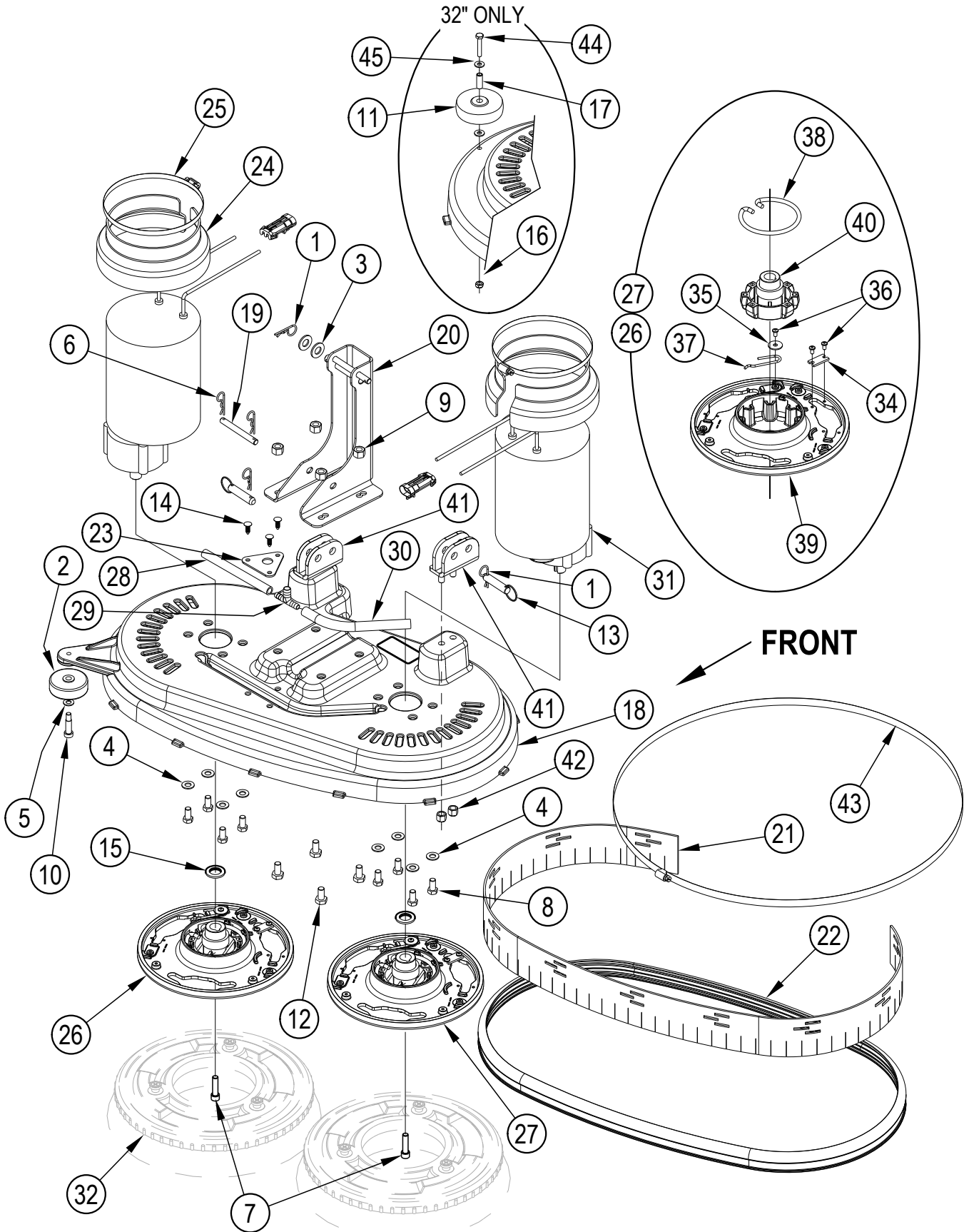
Old Bumper	Order Kit
56315318 (28")	56315764
56315627 (32")	56315765

NOTE 3: As of October 2008 a new upper deck linkage arm **(56315836)** is being used in production. The new design does not use item #3 and the quantity of item #1 is reduced to 2.

NOTE 4: If your Motor / Gear Unit Assembly has a serial tag from Imperial Electric order (4) Carbon Brushes 56397139 or (4) Brush Springs 56397138.

If your Motor / Gear Unit Assembly has a serial tag from Nilfisk-Advance order Brush Board Assy 56380637.

SCRUB SYSTEM - DISK AFTER SN100025514



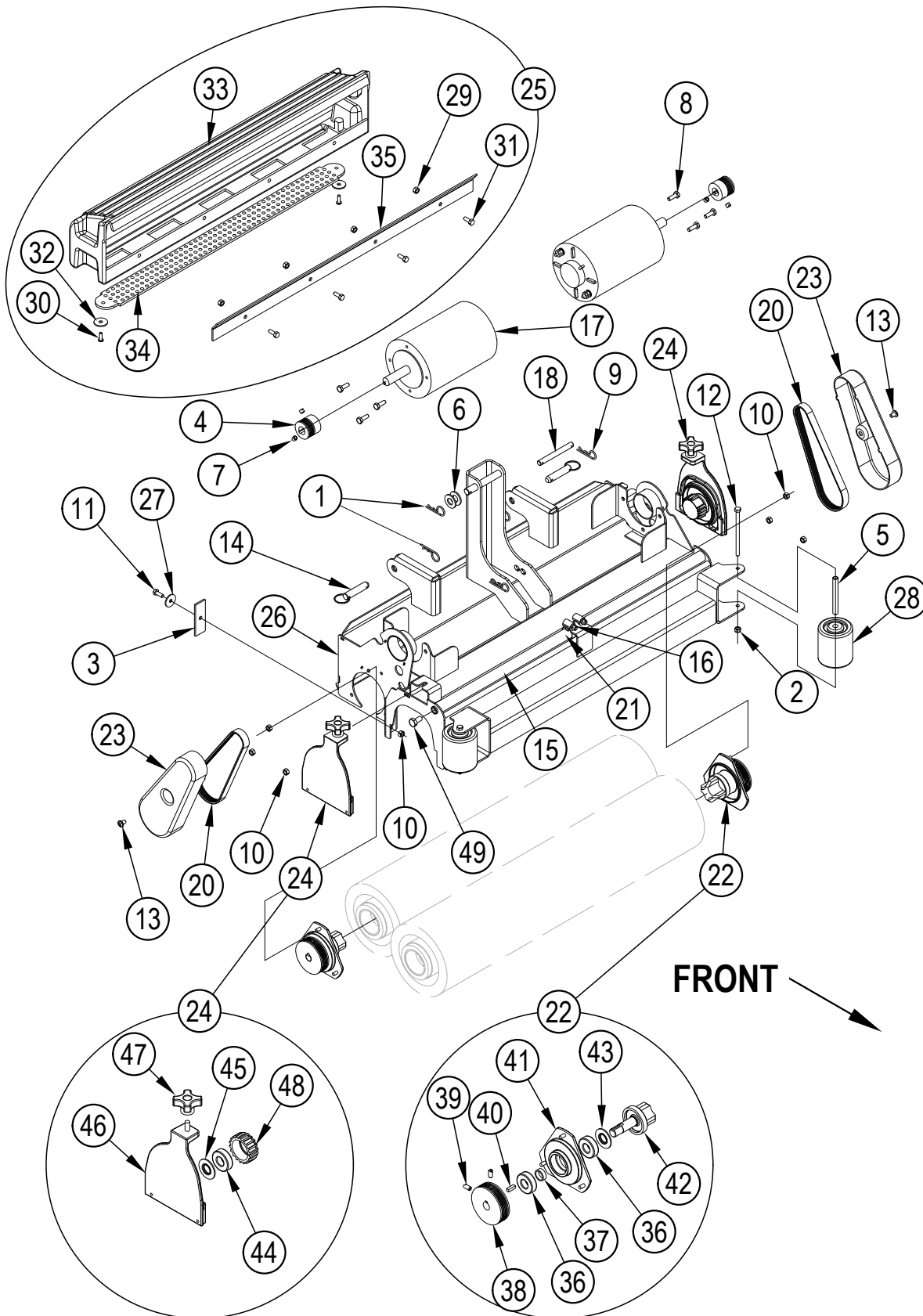
SCRUB SYSTEM - DISK AFTER SN100025514

Item	Ref. No.	Qty	Description	Item	Ref. No.	Qty	Description
1	56002959	2	Pin, Cotter Hair	26	56109651	1	Brush Plate Assy, Counterclockwise (33-40)
2	56324350	1	Wheel (28")	27	56109652	1	Brush Plate Assy, Clockwise (33-40)
3	56001879	2	Wsh, Flt SAE 1/2	28	56396195	1	Hose, PVC .38id X 6.00
4	56002910	8	Wsh, Flt SAE SS 3/8	29	56397300	1	Tee, Barb
5	56002938	1	Wsh, Flt SAE SS 5/16	30	56397301	1	Hose, PVC .375
6	56003120	2	Pin, Cotter Hair .0915 X .375	31	56397316	2	Motor / Gear Unit Assembly 36v (M2 / M3) TSBUS2010-1059
7	56002131	2	Scr. Soc Hd 5/16 - 18 x 1.25	[]	56397139	4	Carbon Brush NOTE 1
8	56003338	8	Scr. Hex Loc SS 3/8-16 X .75	[]	56397138	4	Brush Spring NOTE 1
9	56003438	4	Nut, Hex Nyl Loc SS M10-1.5	[]	56380637	1	Brush Board Assy NOTE 1
10	56003472	1	Scr. Soc Shd .38 X 1.00 X 5/16-18 (28")	32			See Brush Selector Guide
11	56049261	1	Wheel (32")	56505808	2	Brush Midlite 14 (model 56307250 only)	
12	56003533	4	Scr. Hex SS M10-1.5 X 20mm	34	366455	1	Plate, Stop
13	56003679	2	Pin, Ring .50 X 1.63	35	56009002	1	Wsh, Flt .266 x .906 x .060
14	56003693	3	Rivet, Nylon Tree Push-In (.218)	36	56009247	3	Scr. Pan Phil Plastite 10-14 x .38
15	56009022	2	Wsh, Flt .754 X 1.250 X .120	37	56109653	1	Spring Retainer
16	56002850	1	Nut, Hex Nyl Loc-Thin Ss 1/4-20 (32")	38	56601056	1	Spring, Brush Holder
17	56315580	1	Bushing, Stainless (32")	39	56601118	1	Brush Plate
18	56315588	1	Scrub Deck, Disc, Cast (28")	40	56112521	1	Gimbal-Collar Assembly
	56315859	1	Scrub Deck, Disc, Cast (32")	41	56315373	2	Weld't, Deck Mount Brkt
19	56315161	1	Pin	42	56002769	4	Nut, Hex Nyl Loc 3/8-16
20	56315719	1	Weld't, Actuator Bracket	43	56315759	1	Band Clamp (28")
21	56315274	1	Skirt, Rubber (28")		56315761	1	Band Clamp (32")
	56315626	1	Skirt, Rubber (32")	44	56002880	1	Scr. Hex Loc SS 1/4-20 X 1.75 (32")
22	56315754	1	Bumper, Extruded (28")	45	56002859	2	Wsh, Flt SAE SS 1/4 (32")
	56315755	1	Bumper, Extruded (32")				
23	56315339	1	Bracket				
24	56315648	2	Shroud, Motor				
25	56355488	2	Clamp, Hose SAE #96				

[] = Not Shown

NOTE 1: If your Motor / Gear Unit Assembly has a serial tag from Imperial Electric order (4) Carbon Brushes 56397139 or (4) Brush Springs 56397138.
If your Motor / Gear Unit Assembly has a serial tag from Nilfisk-Advance order Brush Board Assy 56380637.

SCRUB SYSTEM - CYLINDRICAL



SCRUB SYSTEM – CYLINDRICAL

Item	Ref. No.	Qty	Description
1	56002959	3	Pin, Cotter Hair NOTE 1
2	56003403	2	Nut, Hex Nyl Loc M6-1.00
3	56407391	2	Blade
4	56407433	2	Sheave, Poly-V
5	56412176	2	Bushing
6	56001879	6	Wsh, Flt SAE 1/2 NOTE 1
7	56002086	4	Scr. Soc Set Loc 5/16-18x.25
8	56002948	6	Scr. Hex Hd Loc 1/4-20x.75
9	56003120	2	Pin, Cotter Hair .0915 X .375
10	56003426	8	Nut, Hex Nyl Loc SS M6x1.0
11	56003431	2	Scr. Hex Hd SS M6-1.0x16mm
12	56003492	2	Scr. Hex M6-1.0x95mm
13	56003603	2	Scr. Pan Phil Thd Form 1/4-20x.38
14	56003679	2	Pin, Ring .50 X 1.63
15	56315355	2	Manifold, PVC (28")
	56315647	2	Manifold, PVC (32")
16	56219932	2	Clamp, Hose SAE #6
17	56315611	2	Motor, 36 Vdc, .75 Hp, 1800 RPM (M2 / M3)
[]	56412287	1	Brush / Spring Kit NOTE 2
[]	56380003	1	Brush / Spring Kit NOTE 2
18	56315161	1	Pin
19	56315320	2	Harness, Brush (Not Shown)
20	56315321	2	Belt, Auto Tension
21	56262549	1	Tee, Barb
22	56407559	2	Drive End Assy (#36-43)
23	56315445	2	Cover, Belt
24	56314445	2	Idler End Assy (#44-48)
25	56315459	1	Hopper Assembly (28" / #29-35)
	56315616	1	Hopper Assembly (32" / #29-35)
26	56315470	1	Housing, Weld't (28")
	56315620	1	Housing, Weld't (32")
27	56009060	2	Wsh Flt SS .260X1.000X.074
28	56412459	2	Wheel
29	56003426	4	Nut, Hex Nyl Loc SS M6-1.00
30	56002896	2	Scr. Pan Phil SS 10-24 x .62
31	56003431	4	Scr. Hex Hd SS M6-1.00 x 16mm
32	56009060	2	Wsh, Flt SS .260 x 1.00 x .074
33	56315460	1	Hopper (28")
	56315621	1	Hopper (32")
34	56315464	1	Hopper Screen (28")
	56315618	1	Hopper Screen (32")
35	56315467	1	Hopper Bracket (28")
	56315617	1	Hopper Bracket (32")
36	56106070	2	Bearing, Ball
37	56407389	1	Spacer
38	56407442	1	Sheave, Poly-V
39	56002119	2	Scr. Soc Set Loc 1/4-20 x .50
40	56003237	1	Key, Sq., 19 x .62
41	56381765	1	Bearing Plate
42	56109527	1	Spindle
43	56407558	1	Washer, Bearing
44	56106070	1	Bearing, Ball
45	56407558	1	Washer, Bearing
46	56315447	1	Idler Bearing Plate
47	56407303	1	Knob
48	56407551	1	Hub
*	56384137	1	Idler W/O-Ring Kit NOTE 3
49	56002992	2	Scr. Hex SS 5/16-18 x .50

[] = Not Shown

* = Optional, Not Included

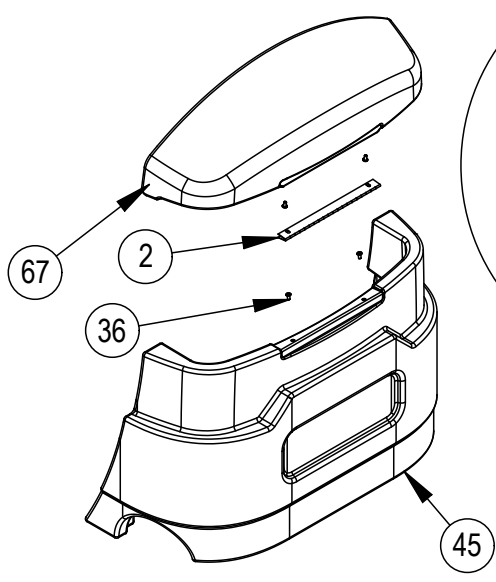
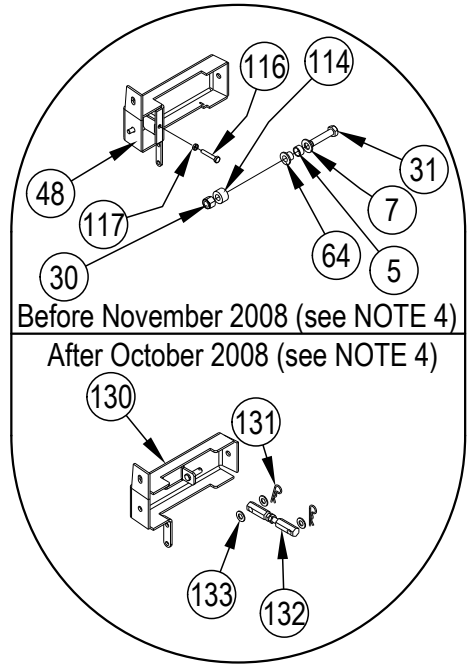
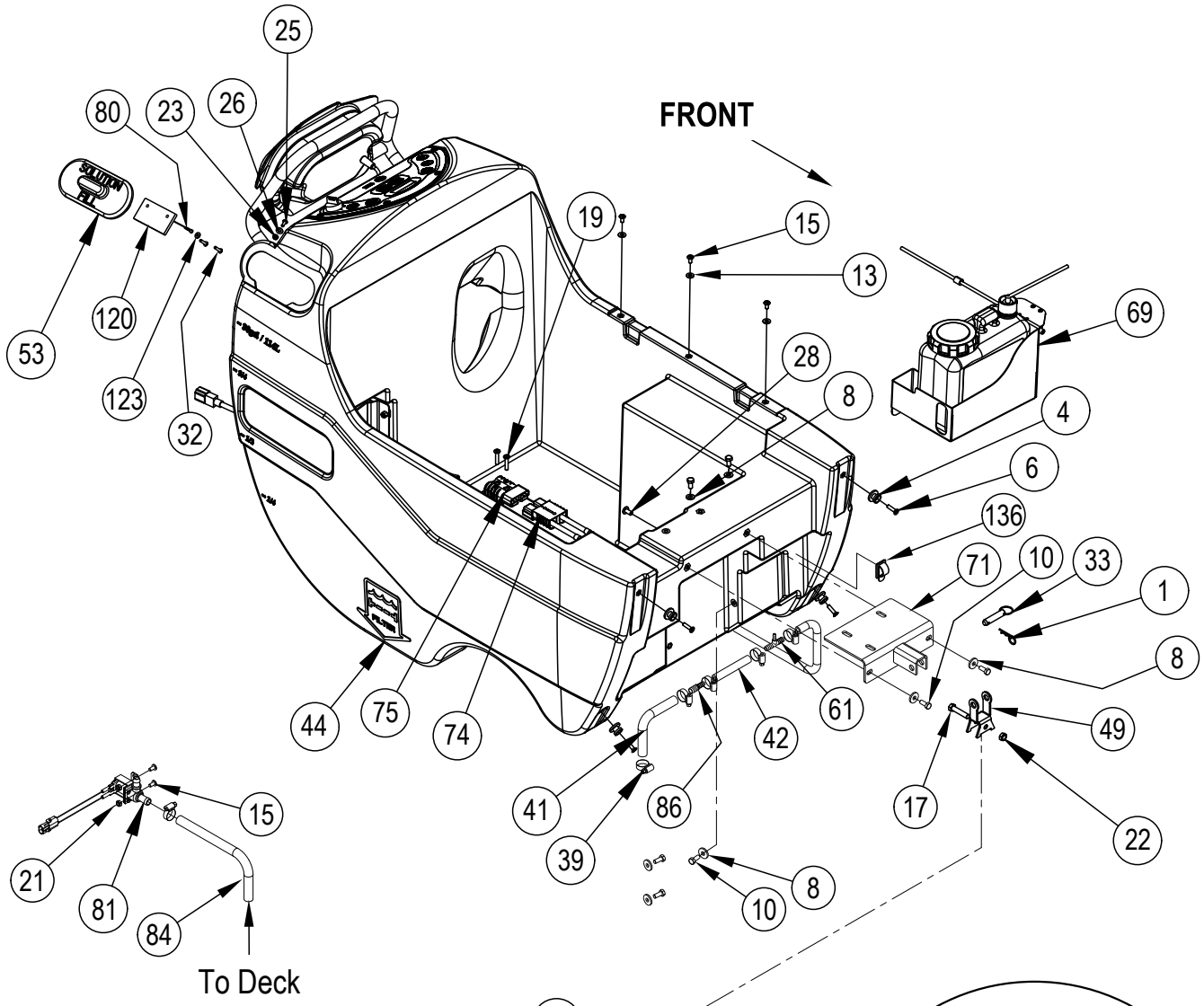
NOTE 1: As of October 2008 a new upper deck linkage arm (56315836) is being used in production. The quantity of item #1 is reduced to 2 and the quantity of item #6 is reduced to 4.

NOTE 2: If your cylindrical scrub motor has a serial tag from Scott Motors Co. order Brush / Spring Kit 56412287. If your cylindrical scrub motor has a serial tag from Nilfisk-Advance order Brush / Spring Kit 56380003.

NOTE 3: Idler Kit 56384137 can be used to replace Hub 56407551 if you are having noise problems.

SOLUTION - ELECTRICAL SYSTEM-1 - EcoFlex™

FRONT



SOLUTION - ELECTRICAL SYSTEM-1 - EcoFlex™

Item	Ref. No.	Qty	Description	Item	Ref. No.	Qty	Description
1	56002959	1	Pin, Cotter Hair	67	56315609	1	Cover, Chemical Tank (grey)
2	56302168	1	Hinge		56315432	1	Cover, Chemical Tank (green / model 56307250 only)
4	56365777	4	Lug, Brush Driver	69	56315645	1	Chemical Tank Assy NOTE 8
5		1	Bearing, Sleeve NOTE 4		56381104	1	Chemical Tank Assy NOTE 9
6	56001832	4	Scr. Flt Phil 1/4-20 X 1.00	71	56315744	1	Weldment, Actuator Mount TSBUS2006-940
7		1	Wsh, Flt SAE 1/2 NOTE 4	74	56315686	1	Charge Connector Assy (to batteries)
8	56009122	7	Wsh, Flt .344 X .938 X .125	75	56315687	2	Charge Connector Assy (to electrical box)
10	56002667	7	Scr. Hex 5/16-18 X .75	79	56109595	1	Lift Actuator Assembly (91-96) NOTE 7 / TSBUS2009-1040
13	56002098	6	Wsh, Flt SAE 1/4	80	56410254	1	Wire Rope, 6 Inch TSBUS2007-967
15	56002145	7	Scr. Pan Phil 1/4-20 X .50	81	56397215	1	Solenoid Valve Assy, 36v
17	56002684	1	Scr. Hex 3/8-16 X 1.75	84	56409462	1	Hose, Spiral .500
19	56002825	2	Scr. Pan Phil 1/4-20 X 1.25	86	56418669	1	Reducer, Barb
21	56002840	2	Nut, Hex Nyl Loc-Thin 1/4-20 NOTE 2	91	56109597	1	Actuator (M5)
22	56002841	1	Nut, Hex Nyl Loc-Thin 3/8-16	[]	56109596	1	Plastic Nut
23	56002849	1	Nut, Hex Nyl Loc-Thin Ss 10-24	[]	56109636	1	Spring Housing Kit
25	56002896	1	Scr. Pan Phil SS 10-24 X .62	92	56109547	1	Spring Housing Bottom
26	56002919	1	Wsh, Flt Std Ss #10	93	56420018	1	Compression Spring
28	56003003	1	Scr. Pan Phil 5/16-18 X .62	94	56109546	1	Spring Housing Top
30		1	Nut, Hex Nyl Loc M12-1.75 NOTE 4	95	56412071	1	Compression Spring
31		1	Scr. Hex M12-1.75 X 35mm NOTE 4	96	56329145	2	Clamp-Hose SAE #24
32	56009006	2	Scr. Pan Phil SS Type B 10-16 X 1.00	114		1	Bushing NOTE 4
33	56003679	1	Pin, Ring .50 X 1.63	116		1	Scr. Hex Thd to Hd 1/4-20 x 1.50 NOTE 4
36	56009139	4	Scr. Pan Phil Loc 10-24 X .38	117		1	Nut, Hex Jam 1/4-20 NOTE 4
39	56219932	5	Clamp, Hose SAE #6	120	56315166	1	Plate
41	56262180	1	Hose, Spiral .500	123	56002916	2	Wsh, Flt SAE SS #10
42	56302015	1	Hose, Spiral .375	130	56109524	1	Pivot Weldt. NOTE 4
44	56315733	1	Tank, Solution (grey) TSBUS2006-940	131	56003120	2	Pin, Cotter Hair .0915 x .375 NOTE 4
[]	56109560	1	Solution Tank Kit (grey) NOTE 6	132	56315836	1	Turnbuckle Assy NOTE 4
	56315429	1	Tank, Solution (green / model 56307250 only)	133	56002063	3	Wsh, Flt SAE 3/8 NOTE 4
[]	56109562	1	Solution Tank Kit (green / model 56307250 only) NOTE 6	136	7-13-07096	1	Clamp-Adjustable
45	56315087	1	Nose Cone (grey)				
	56315433	1	Nose Cone (green / model 56307250 only)				
48		1	Pivot Weld't. TSBUS2006-940 NOTE 4				
49	56315191	1	Yoke, Actuator				
53	56315219	1	Cover, Solution Fill TSBUS2007-967				
61	56315265	1	Tee, Barb				
64		1	Bushing NOTE 4				

[] = Not Shown

NOTE 2: As of serial number 2059967 the following items (56002962, 56364527, 56002840, 56003266, 56315193, 56315236 & 56315245) are no longer used in production. If you need to replace any of these items please order the following group of parts (56315730, 56009117, 56003223, 56001854 / items 126 through 129) in a quantity of 1 each.

NOTE 4: As of October 2008 the following items (56370878, 56001879, 56003312, 56003708, 56315736, 56315380, 56315479, 56003709, 56009087) are no longer used in production. If you need to replace any of these items please order Kit 56109540.

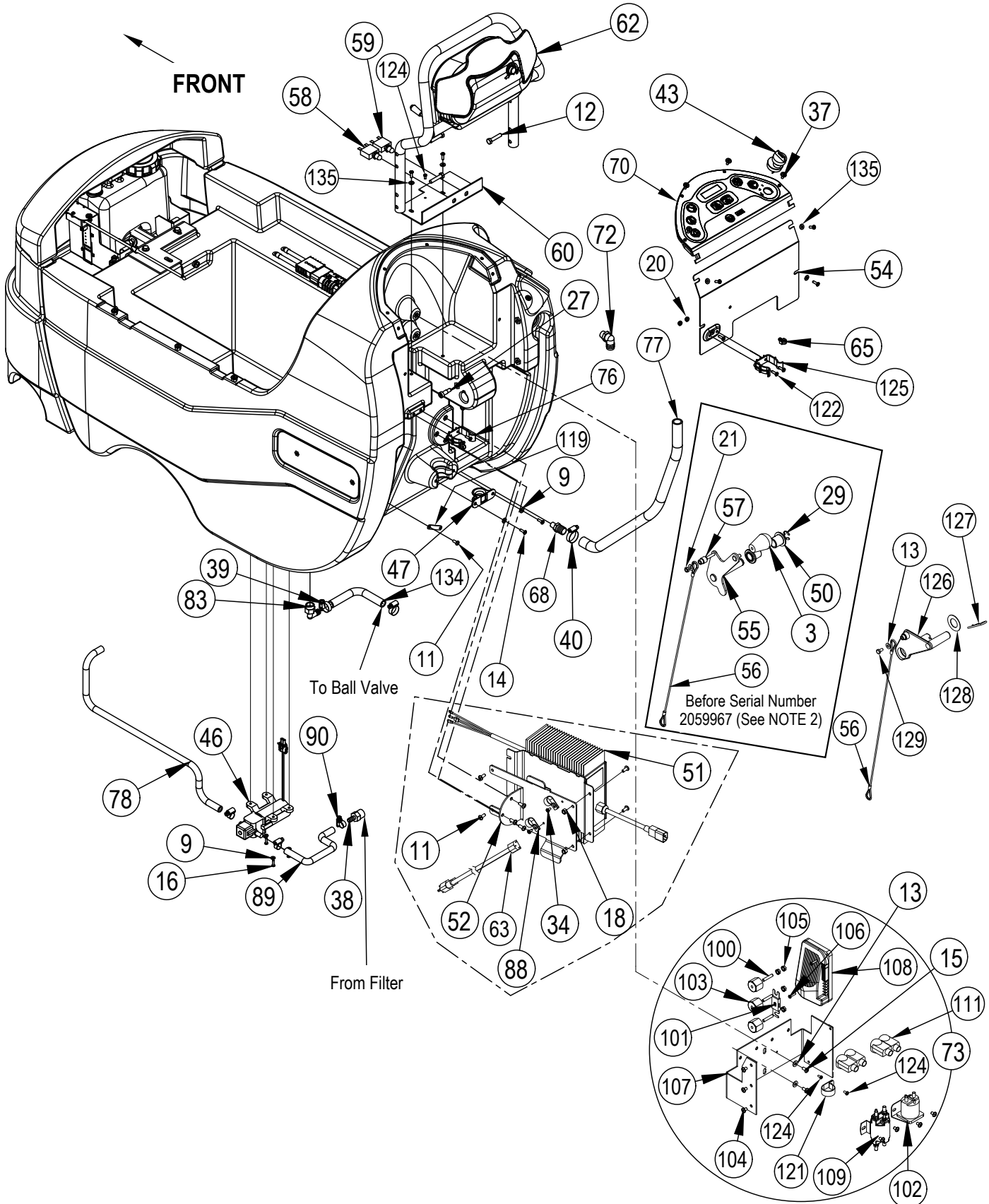
NOTE 6: If replacing the solution tank on a machine with the old style squeegee lift level (56315236), please order Solution Tank Kit 56109560 for grey models or Solution Tank Kit 56109562 for green models.

NOTE 7: Actuator 56109595 replaces actuator 56396049 as of September 2009.

NOTE 8: Only used on AXP models.

NOTE 9: Only used on EcoFlex models. AXP models are no longer in production and have been replaced by EcoFlex models.

SOLUTION - ELECTRICAL SYSTEM-2 - EcoFlex™



SOLUTION - ELECTRICAL SYSTEM-2 - EcoFlex™

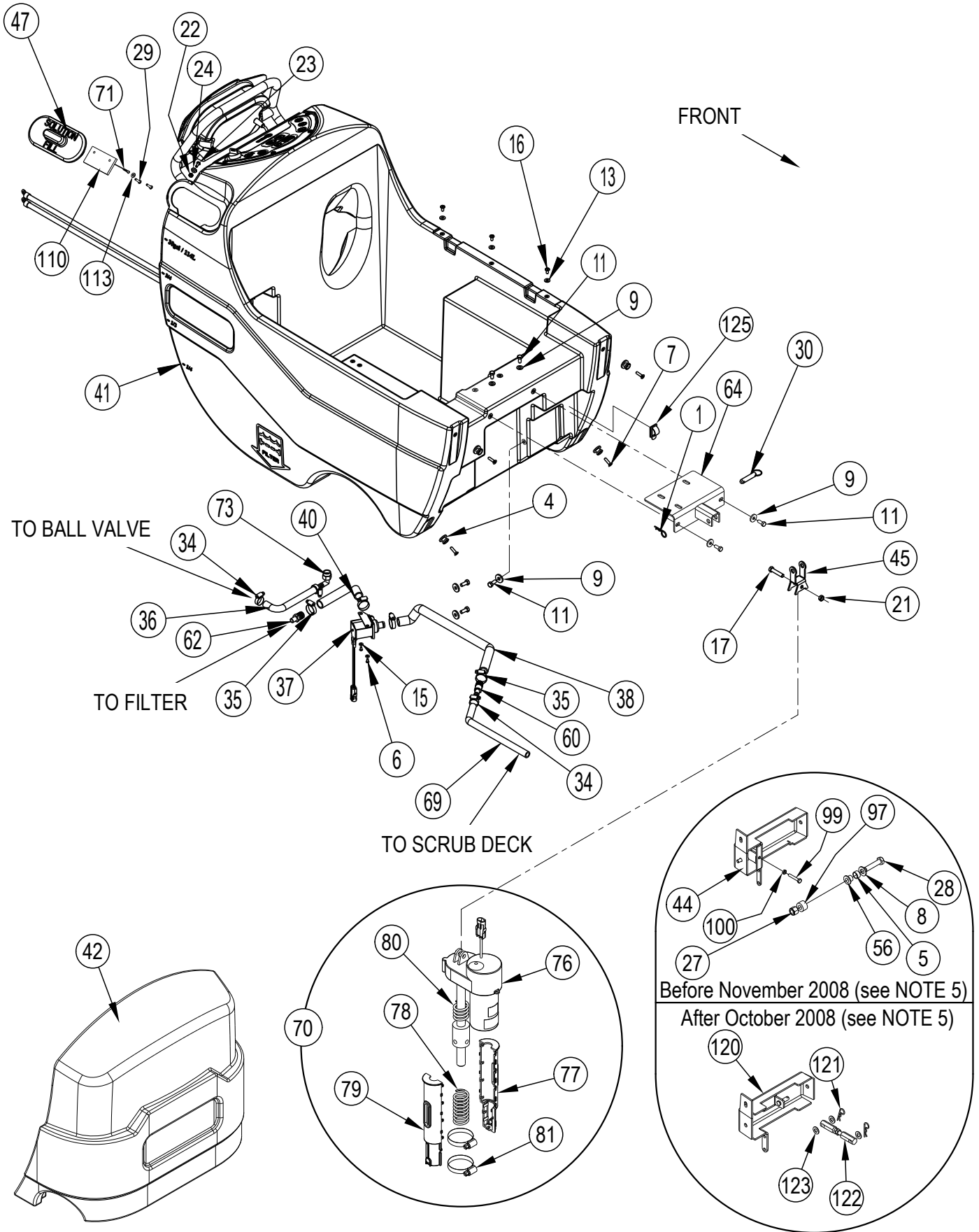
Item	Ref. No.	Qty	Description
3	56364527	1	Knob NOTE 2
9	56001954	5	Wsh. Flt SAE #10
11	56002066	8	Scr. Pan Phil 1/4-20 X .62
12	56002094	4	Scr. Hex 5/16-18 X 1.50
13	56002098	6	Wsh. Flt SAE 1/4
14	56002124	10	Scr. Pan Phil 10-24 X .62
15	56002145	7	Scr. Pan Phil 1/4-20 X .50
16	56002146	3	Scr. Pan Phil 8-32 X .62
18	56002708	4	Nut. Hex Nyl Loc 1/4-20
20	56002832	2	Nut. Hex Nyl Loc-Thin 10-24 NOTE 3
21	56002840	2	Nut. Hex Nyl Loc-Thin 1/4-20 NOTE 2
27	56002962	1	Scr. Soc Shd .38 X .62 X 5/16-18 NOTE 2
29	56003266	1	Ring. Ret Ext Type E 0.75 Dia. NOTE 2
34	56009030	2	Scr. Pan Phil Thd Form 10-24 X .38
37	56009206	4	Scr. Truss Phil-Blk 10-24x.50
38	56051207	1	Barb. Adapter 3/8 X 1/2 Npt
39	56219932	5	Clamp. Hose SAE #6
40	56244969	1	Clamp. Hose SAE #12
43	56303553	1	Key Switch Assy (S3)
[]	56303526	A/R	Set of 2 Keys
	56380488	1	Key Switch Assy (model 56307250 only)
	56508699	A/R	Replacement Key (model 56307250 only)
46	56315108	1	Pump. Solution (M5)
47	56315121	1	Guide. Cable
50	56315193	2	Bushing. Flange NOTE 2
51	56315774	1	Charger. On-Board 36v NOTE 1 / NOTE 10
[]	56315747	1	Thermister Repair Kit for 56315774
52	56315206	1	Bracket. Charger
54	56109502	1	Panel. Electrical NOTE 3
55	56315236	1	Weldment. Squeegee Lift NOTE 2 / TSBUS2008-1021
56	56315243	1	Cable Assy
57	56315245	1	Bushing. Squeegee Cable NOTE 2
58	56315255	1	Circuit Breaker. 5 Amp
59	56315256	1	Circuit Breaker. 30 Amp
60	56109553	1	Plate. Circuit Breaker NOTE 5
62	56315266	1	Assembly. Paddle TSBUS2007-958
63	56383385	1	Cord Charger Yellow US
65	56315382	1	Clip. Conduit

Item	Ref. No.	Qty	Description
68	56315634	1	Barb. Adaptor 3/4 X 1/2 Npt
70	56315657	1	Control Panel Assy TSBUS2007-952 / TSBUS2007-958 / NOTE 8
	56383092	1	Control Panel Kit NOTE 9
72	56315683	1	Barb. 90 Elbow 3/4 X 3/8npt
73	56315684	1	Assembly. Electrical Box (34, 100-111 & 121)
76	56331154	1	Clamp. Plastic
77	56379139	1	Hose. PVC
78	56391802	1	Hose. Spiral. 375
83	56409152	1	Barb. 90 Elbow 1/2 X 1/2npt
88	56486112	2	Clamp. P
89	56249682	1	Spiral. Hose X .375
90	56756364	6	Clamp. Hose SAE #4
100	56009203	3	Stud. 1/4-20
101	56412089	1	Fuse. 150 Amp
102	56395455	1	Contacto. 36v (K2 / Vac Motor)
103	56469858	3	Standoff. Insulated
104	56002462	7	Scr. Pan Phil 1/4-20 X .38
105	56002561	4	Nut. Hex W/ Shprf 1/4-20
106	56003698	2	Scr. Pan Phil Thd Form 8-32 X .75
107	56315182	1	Panel. Electrical
108	56315692	1	Controller. Speed TSBUS2007-958
109	56397250	1	Solenoid. Spdt 36v (K1 / Brush Motor)
111	2-00-04203	4	Insulator. Terminal
119	56249884	1	Plate
121	56410166	1	Clamp. P
122	56001993	2	Scr. Pan Phil 10-24 x .50
124	56009030	3	Scr. Pan Phil Thd Form 10-24 X .38
125	56396199	1	Clamp. Plastic
126	56315730	1	Lever. Squeegee Lift NOTE 2 / TSBUS2008-1021
127	56003223	1	Pin. Cot Hair NOTE 2
128	56009117	1	Wsh. Flt 1.03 x 1.85 x .48 NOTE 2
129	56001854	1	Scr. Hex 1/4-20 x .50 NOTE 2
134	56262561	1	Hose. Spiral. 50
135	56002053	6	Wsh. Flt STD #10

[] = Not Shown

NOTE 1: Starting with Charger serial # CP360614027995 the charger software can be programmed with a computer and the QuiQ Programmer kit 56315732.
NOTE 2: As of serial number 2059967 the following items (56002962, 56364527, 56002840, 56003266, 56315193, 56315236 & 56315245) are no longer used in production. If you need to replace any of these items please order the following group of parts (56315730, 56009117, 56003223, 56001854 / items 126 through 129) in a quantity of 1 each.
NOTE 3: As of serial number 2059967 the following items (56002832, 56315222 & 56412285) are no longer used in production. If you need to replace 56315222 or 56412285 please order 56109502.
NOTE 5: 56315259 and 56315532 are no longer used in production. If you need to replace either of these items please order 56109553.
NOTE 8: Only used on AXP models.
NOTE 9: Only used on EcoFlex models. AXP models are no longer in production and have been replaced by EcoFlex models.
NOTE 10: TSBUS2006-931 / TSBUS2007-979 / TSBUS2008-984 / TSBUS2008-1003 / TSBUS2008-1008

SOLUTION - ELECTRICAL SYSTEM-1 - STD



SOLUTION - ELECTRICAL SYSTEM-1 – STD

Item	Ref. No.	Qty	Description
1	56002959	1	Pin, Cotter Hair
4	56365777	4	Lug, Brush Driver
5		1	Bearing, Sleeve NOTE 5
6	56001818	2	Scr. Pan Phil 8-32 X .38
7	56001832	4	Scr. Flt Phil 1/4-20 X 1.00
8		1	Wsh. Flt SAE 1/2 NOTE 5
9	56009122	7	Wsh. Flt .344 x .938 x .125
11	56002667	7	Scr. Hex 5/16-18 X .75
13	56002098	6	Wsh. Flt SAE 1/4
15	56002140	2	Wsh. Flt SAE #8
16	56002145	5	Scr. Pan Phil 1/4-20 X .50
17	56002684	1	Scr. Hex 3/8-16 X 1.75
21	56002841	1	Nut, Hex Nyl Loc-Thin 3/8-16
22	56002849	1	Nut, Hex Nyl Loc-Thin SS 10-24
23	56002896	1	Scr. Pan Phil Ss 10-24 X .62
24	56002919	1	Wsh. Flt Std Ss #10
27		1	Nut, Hex Nyl Loc M12-1.75 NOTE 5
28		1	Scr. Hex M12-1.75 X 35mm NOTE 5
29	56009006	2	Scr. Pan Phil SS Type B 10-16 X 1.00
30	56003679	1	Pin, Ring .50 X 1.63
34	56219932	3	Clamp, Hose SAE #6
35	56244969	5	Clamp, Hose SAE #12
36	56262561	1	Hose, Spiral .500
37#	56303275	1	Solenoid Valve Assy TSB-FC-2015-023
38	56303394	1	Hose, Spiral .750 X 25'
40	56305318	1	Hose, Spiral .750 X 10.5'
41	56315733	1	Tank, Solution TSBUS2006-940
[]	56109560	1	Solution Tank Kit (grey) NOTE 7
42	56315949	1	Nose Cone

Item	Ref. No.	Qty	Description
44		1	Pivot Weld't. TSBUS2006-940 / NOTE 5
45	56315191	1	Yoke, Actuator
47	56315219	1	Cover, Solution Fill TSBUS2007-967
56		1	Bushing NOTE 5
60	56315625	1	Barb. Coupler 1/2 X 3/4
62	56315634	2	Barb. Adaptor 3/4 X 1/2 NPT
64	56315744	1	Weldment, Actuator Mount TSBUS2006-940
69	56387302	1	Hose, Solution
70	56109595	1	Lift Actuator Assembly (76-80) NOTE 8 / TSBUS2009-1040
71	56410254	1	Wire Rope, 6 Inch TSBUS2007-967
73	56409152	1	Barb. 90 Elbow 1/2 X 1/2npt
76	56109597	1	Actuator (M5)
[]	56109596	1	Plastic Nut
[]	56109636	1	Spring Housing Kit
77	56109547	1	Spring Housing Bottom
78	56420018	1	Compression Spring
79	56109546	1	Spring Housing Top
80	56412071	1	Compression Spring
81	56329145	2	Clamp-Hose SAE #24
97		1	Bushing NOTE 5
99		1	Scr. Hex Thd to Hd 1/4-20 x 1.50 NOTE 5
100		1	Nut, Hex Jam 1/4-20 NOTE 5
110	56315166	1	Plate
113	56002916	2	Wsh. Flt SAE SS #10
120	56109524	1	Pivot Weldt. NOTE 5
121	56003120	2	Pin, Cotter Hair .0915 x .375 NOTE 5
122	56315836	1	Turnbuckle Assy NOTE 5
123	56002063	3	Wsh. Flt SAE 3/8 NOTE 5
125	7-13-07096	1	Clamp-Adjustable

[] = Not Shown

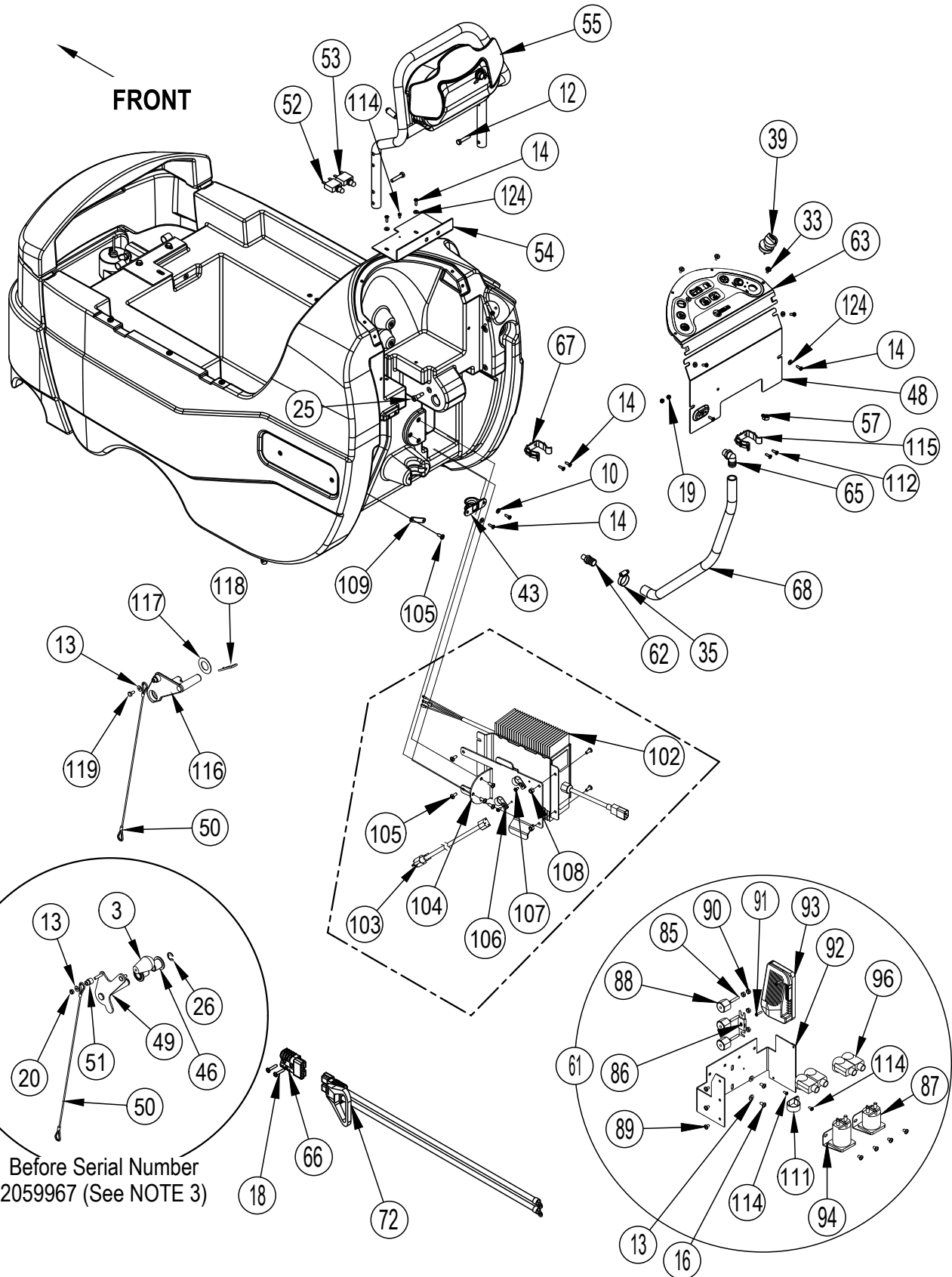
NOTE 5: As of October 2008 the following items (56370878, 56001879, 56003312,

56003708, 56315736, 56315380, 56315479, 56003709, 56009087) are no longer used in production. If you need to replace any of these items please order Kit 56109540.

NOTE 7: If replacing the solution tank on a machine with the old style squeegee lift level (56315236), please order Solution Tank Kit 56109560.

NOTE 8: Actuator 56109595 replaces actuator 56396049 as of September 2009.

SOLUTION - ELECTRICAL SYSTEM-2 - STD



SOLUTION - ELECTRICAL SYSTEM-2 – STD

Item	Ref. No.	Qty	Description
3	56364527	1	Knob NOTE 3
10	56001954	2	Wsh. Flt SAE #10
12	56002094	4	Scr. Hex 5/16-18 X 1.50
13	56002098	6	Wsh. Flt SAE 1/4 NOTE 3
14	56002124	10	Scr. Pan Phil 10-24 X .62
16	56002145	5	Scr. Pan Phil 1/4-20 X .50
18	56002825	2	Scr. Pan Phil 1/4-20 X 1.25
19	56002832	2	Nut. Hex Nyl Loc-Thin 10-24 NOTE 4
20	56002840	1	Nut. Hex Nyl Loc-Thin 1/4-20 NOTE 3
25	56002962	1	Scr. Soc Shd .38 X .62 X 5/16-18 NOTE 2
26	56003266	1	Ring. Ret Ext Type E 0.75 Dia. NOTE 3
33	56009206	4	Scr. Truss Phil-Blk 10-24x.50
35	56244969	5	Clamp. Hose SAE #12
39	56303553	1	Key Switch Assembly (S3)
[]	56303526	A/R	Set of 2 Keys
43	56315121	1	Guide. Cable
46	56315193	2	Bushing. Flange NOTE 3
48	56109502	1	Panel. Electrical NOTE 4
49	56315236	1	Weldment. Squeegee Lift NOTE 3 / TSBUS2008-1021
50	56315243	1	Cable Assy NOTE 3
51	56315245	1	Bushing. Squeegee Cable NOTE 3
52	56315255	1	Circuit Breaker. 5 Amp
53	56315256	1	Circuit Breaker. 30 Amp
54	56109553	1	Plate. Circuit Breaker NOTE 6
55	56315266	1	Assembly. Paddle TSBUS2006-950
57	56315382	1	Clip. Conduit
61	56315628	1	Assembly. Electrical Box (85-96, 111 & 114)
62	56315634	2	Barb. Adaptor 3/4 X 1/2 NPT
63	56316213	1	Control Panel Assy Kit TSBUS2006-938 / TSBUS2006-950
65	56315683	1	Barb. 90 Elbow 3/4 X 3/8npt
66	56315687	1	Charge Connector Assy (To electrical box)

Item	Ref. No.	Qty	Description
67	56331154	1	Clamp. Plastic
68	56379139	1	Hose. PVC
72	56398000	1	Connector Assy (To batteries)
85	56009203	3	Stud. 1/4-20
86	56412089	1	Fuse. 150 Amp
87	56395455	1	Contacto 36v (K2 / Vac Motor)
88	56469858	3	Standoff. Insulated
89	56002462	7	Scr. Pan Phil 1/4-20 X .38
90	56002561	4	Nut. Hex W/ Shprf 1/4-20
91	56003698	2	Scr. Pan Phil Thd Form 8-32 X .75
92	56315182	1	Panel. Electrical
93	56315692	1	Controller. Speed TSBUS2006-950
94	56395453	1	Contacto 36v (K1 / Brush Motor) TSBUS2008-1020
96	2-00-04203	4	Insulator. Terminal
102	56315774	1	Charger. Onboard 36V NOTE 1 / NOTE 2 / NOTE 9
[]	56315747	1	Thermister Repair Kit for 56315774
103	56383385	1	Cord Charger Yellow US NOTE 1
104	56315206	1	Bracket. Charger NOTE 1
105	56002066	8	Scr. Pan Phil 1/4-20 x .62 NOTE 1
106	56486112	2	Clamp. P NOTE 1
107	56009030	2	Scr. Pan Phil Thd Form 10-24 x .38 NOTE 1
108	56002708	4	Nut. Hex Nyl Loc 1/4-20 NOTE 1
109	56249884	1	Plate
111	56410166	1	Clamp. P
112	56001993	2	Scr. Pan Phil 10-24 x .50
114	56009030	3	Scr. Pan Phil Thd Form 10-24 x .38
115	56396199	1	Clamp. Plastic
116	56315730	1	Lever. Squeegee Lift NOTE 3 / TSBUS2008-1021
117	56009117	1	Wsh. Flt 1.03 x 1.85 x .48 NOTE 3
118	56003223	1	Pin. Cot Hair NOTE 3
119	56001854	1	Scr. Hex 1/4-20 x .50 NOTE 3
124	56002053	6	Wsh. Flt STD #10

[] = Not Shown

NOTE 1: These items are only used on the following models: 56315039, 56315538, 56315539, 56315540.

NOTE 2: Starting with Charger serial # CP360614027995 the charger software can be programmed with a computer and the QuiQ Programmer kit 56315732.

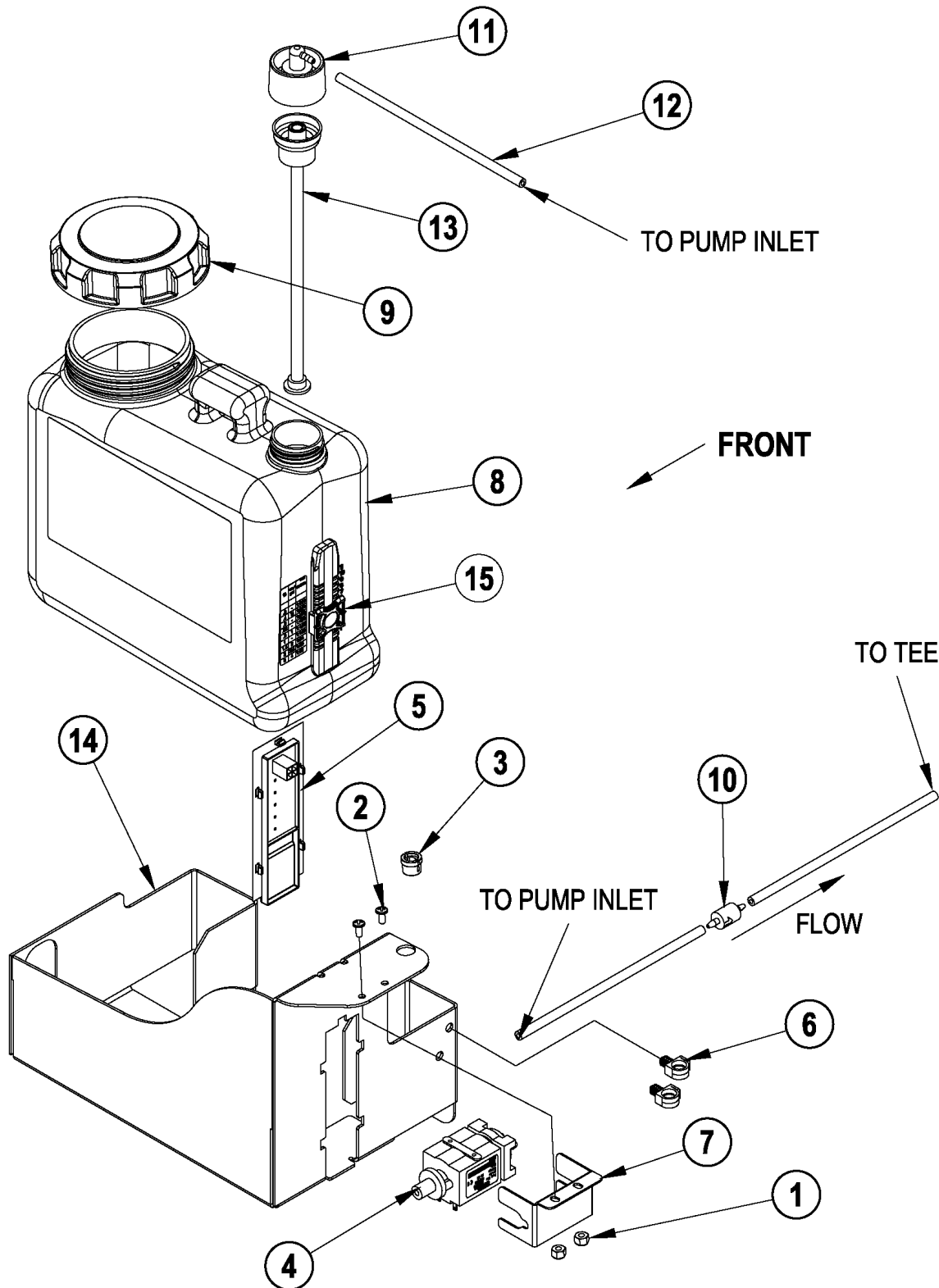
NOTE 3: As of serial number 2059967 the following items (56002962, 56364527, 56002840, 56003266, 56315193, 56315236 & 56315245) are no longer used in production. If you need to replace any of these items please order the following group of parts (56315730, 56009117, 56003223, 56001854 / items 116 through 119) in a quantity of 1 each.

NOTE 4: As of serial number 2059967 the following items (56002832, 56315222 & 56412285) are no longer used in production. If you need to replace 56315222 or 56412285 please order 56109502.

NOTE 6: 56315259 and 56315532 are no longer used in production. If you need to replace either of these items please order 56109553.

NOTE 9: **TSBUS2006-931 / TSBUS2007-979 / TSBUS2008-984 / TSBUS2008-1003 / TSBUS2008-1008**

CHEMICAL ASSY - EcoFlex™



CHEMICAL ASSY - EcoFlex™

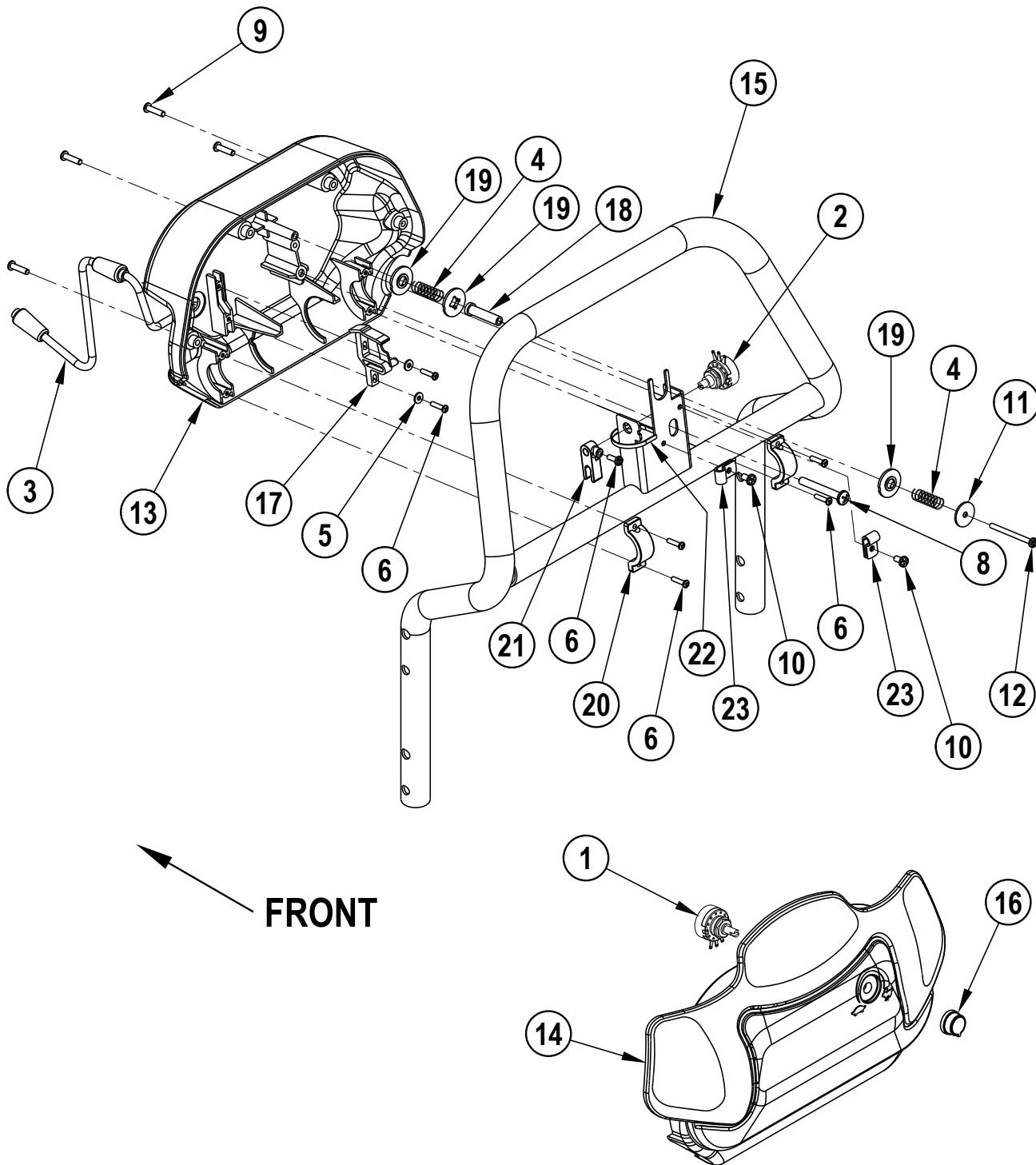
Item	Ref. No.	Qty	Description
	56315645	1	Chemical Tank Assy NOTE 1
	56381104	1	Chemical Tank Assy NOTE 2
1	56002877	2	Nut, Hex Nyl Loc SS 8-32
2	56003018	2	Scr. Pan Phil SS 8-32 X .38
3	56003699	1	Bushing, 1/4 Id Snub
4	56315241	1	Pump, Chemical
5	56315340	1	Chemical Sensor Assy NOTE 1
6	56315382	2	Clip, Conduit
7	56315476	1	Bracket, Chemical Pump
8	56315502	1	Chemical Bottle Assy NOTE 1
**	56315503	A/R	Chemical Bottle Assy (8, 9, 13) NOTE 1
	56601544	1	Chemical Bottle Assy NOTE 2
**	56601545	A/R	Chemical Bottle Assy (8, 9, 13) NOTE 2
9	56315517	1	Cap, Raw
10	56315522	1	Check Valve, 1/8 Barb, 125 PSI
11	56315523	1	Cap, Dry Break, 1/8 Barb, 90°
12	56315524	3	Hose, Chemical Resistant, 7"
13	56315527	1	Insert, Dry Break
14	56315644	1	Bracket, Tank Mounting
15	56315511	1	Indicator Assy NOTE 1

** = Optional, Not Included

NOTE 1: Only used on AXP models.

NOTE 2: Only used on EcoFlex models. AXP models are no longer in production and have been replaced by EcoFlex models.

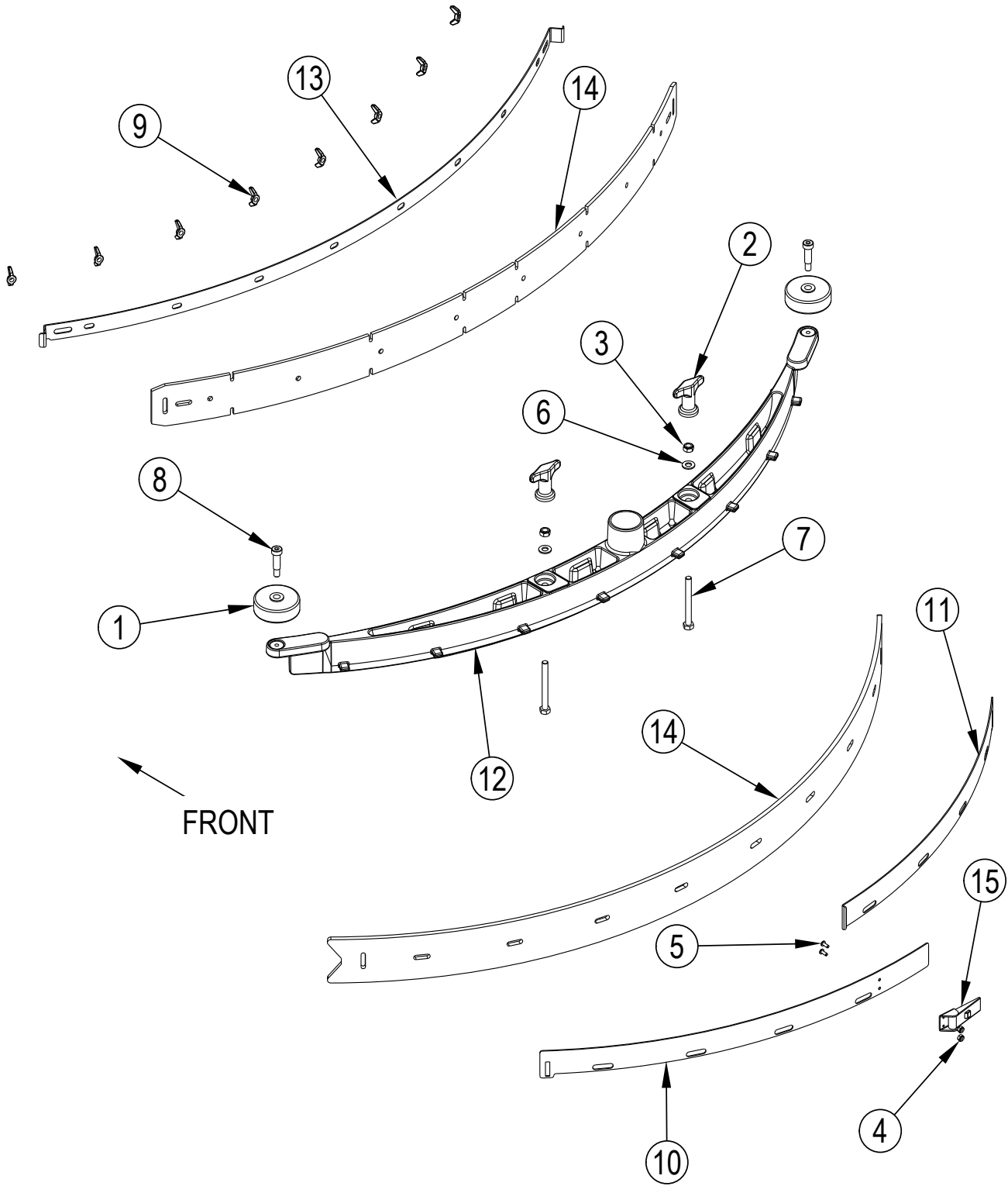
PADDLE ASSY



PADDLE ASSY

Item	Ref. No.	Qty	Description
	56315266	1	Assembly, Paddle <u>TSBUS2006-925 / TSBUS2006-950 / TSBUS2007-958</u>
1	56396197	1	Potentiometer, 100k (R2)
2	56397029	1	Potentiometer, 5k (R1)
3	56315231	1	Harness, Handle
4	56325654	2	Spring, Compression
5	56002006	2	Wsh, Flt SAE #6
6	56003197	7	Scr. Pan Phil Plastite 6-18x.62
8	56003527	1	Scr. Pan Phil Plastite 1/4-10x2.00
9	56003545	4	Scr. Pan Phil Plastite 8-10x.75
10	56009030	2	Scr. Pan Phil Thd Form 10-24x.38
11	56009096	1	Wsh, Flt .193 X .875 X .060
12	56009287	1	Scr. Pan Phil Type B 8x2.00
13	56109716	1	Paddle, Back Cover
14	56315230	1	Paddle, Front Cover
15	56315251	1	Weldment, Handle Bar
16	56315280	1	Knob
17	56397015	1	Cam Controller
18	56397109	1	Sleeve
19	56397170	3	Washer, Plastic
20	56397171	2	Clamp
21	56109648	1	Potentiometer Fork
22	56478246	1	Tie, Cable
23	56481890	2	Clamp, P

SQUEEGEE ASSY



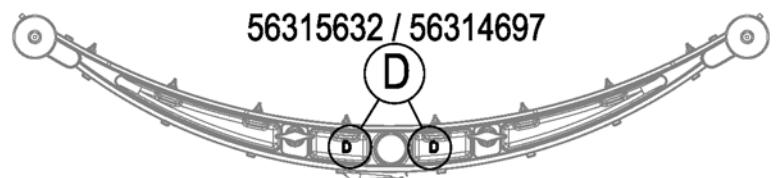
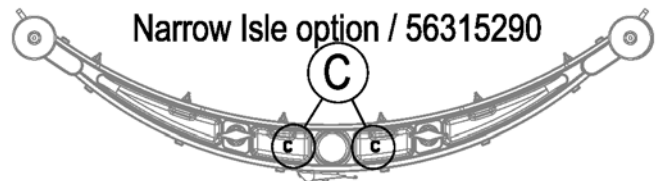
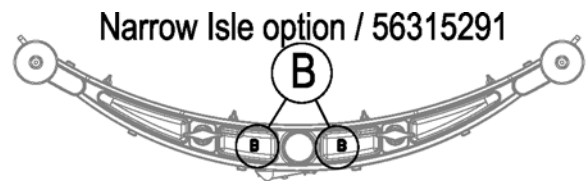
SQUEEGEE ASSY

Item	Ref. No.	Qty	Description
	56315632	1	Squeegee Assembly "D" (STD on all models except 28" & 32" cylindrical) NOTE 2
	56314697	1	Squeegee Assembly "D" (STD only on 28" & 32" cylindrical) NOTE 2
	56315291	1	Squeegee Assembly "B" (Narrow Isle Option) NOTE 2
	56315290	1	Squeegee Assembly "C" (Narrow Isle Option) NOTE 2
1	56324350	2	Wheel
2	56370711	2	Nut, Thumb
3	56002851	2	Nut, Hex Nyl Loc-Thin Ss 5/16-18
4	56002907	2	Nut, Hex Nyl Loc SS 6-32
5	56002909	2	Scr. Pan Phil SS 6-32 X .38
6	56002938	2	Wsh, Flt Sae SS 5/16
7	56003736	2	Scr. Hex Thd to Hd SS 5/16-18 X 3.00
8	56003472	2	Scr. Soc Shd .38 X 1.00 X 5/16-18
9	56009111	8	Nut, Wing SS 1/4-20
10	56109667	1	Strap, Left Rear "D" (used on 56315632 & 56314697) NOTE 2 / TSBUS2009-1037
	56109664	1	Strap, Left Rear "C" (used on 56315290) NOTE 2 / TSBUS2009-1037
	56109660	1	Strap, Left Rear "B" (used on 56315291) NOTE 2 / TSBUS2009-1037
11	56109668	1	Strap, Right Rear "D" (used on 56315632 & 56314697) NOTE 2 / TSBUS2009-1037
	56109665	1	Strap, Right Rear "C" (used on 56315290) NOTE 2 / TSBUS2009-1037
	56109661	1	Strap, Right Rear "B" (used on 56315291) NOTE 2 / TSBUS2009-1037
12	56314694	1	Squeegee Tool, Cast "D" (used on 56315632 & 56314697)
	56314325	1	Squeegee Tool, Cast "C" (used on 56315290)
	56314271	1	Squeegee Tool, Cast "B" (used on 56315291)
13	56314696	1	Strap, Front "D" (used on 56315632 & 56314697) NOTE 2
	56314322	1	Strap, Front "C" (used on 56315290) NOTE 2
	56314028	1	Strap, Front "B" (used on 56315291) NOTE 2
14	56315674	1	Kit, Gum Rubber Squeegee Blade "D" (used on 56315632) NOTE 1
	56314865	1	Kit, Red Gum Rubber Squeegee Blade "D" (used on 56314697) NOTE 1
	56315348	1	Kit, Gum Rubber Squeegee Blade "C" (used on 56315290) NOTE 1
	56315347	1	Kit, Gum Rubber Squeegee Blade "B" (used on 56315291) NOTE 1
15	56471194	1	Latch Assembly
			"D" Squeegee Blade Kits for 56315632 & 56314697
	56315674	1	Kit, Gum Rubber Squeegee Blade "D" NOTE 1
**	56314865	1	Kit, Red Gum Rubber Squeegee Blade "D" NOTE 1
**	56315856	1	Kit, PU Squeegee Blade "D" NOTE 1
			"C" Squeegee Blade Kits for 56315290
	56315348	1	Kit, Gum Rubber Squeegee Blade "C" NOTE 1
**	56315352	1	Kit, Red Gum Rubber Squeegee Blade "C" NOTE 1
**	56315855	1	Kit, PU Squeegee Blade "C" NOTE 1
			"B" Squeegee Blade Kits for 56315291
	56315347	1	Kit, Gum Rubber Squeegee Blade "B" NOTE 1
**	56315351	1	Kit, Red Gum Rubber Squeegee Blade "B" NOTE 1
**	56315854	1	Kit, PU Squeegee Blade "B" NOTE 1

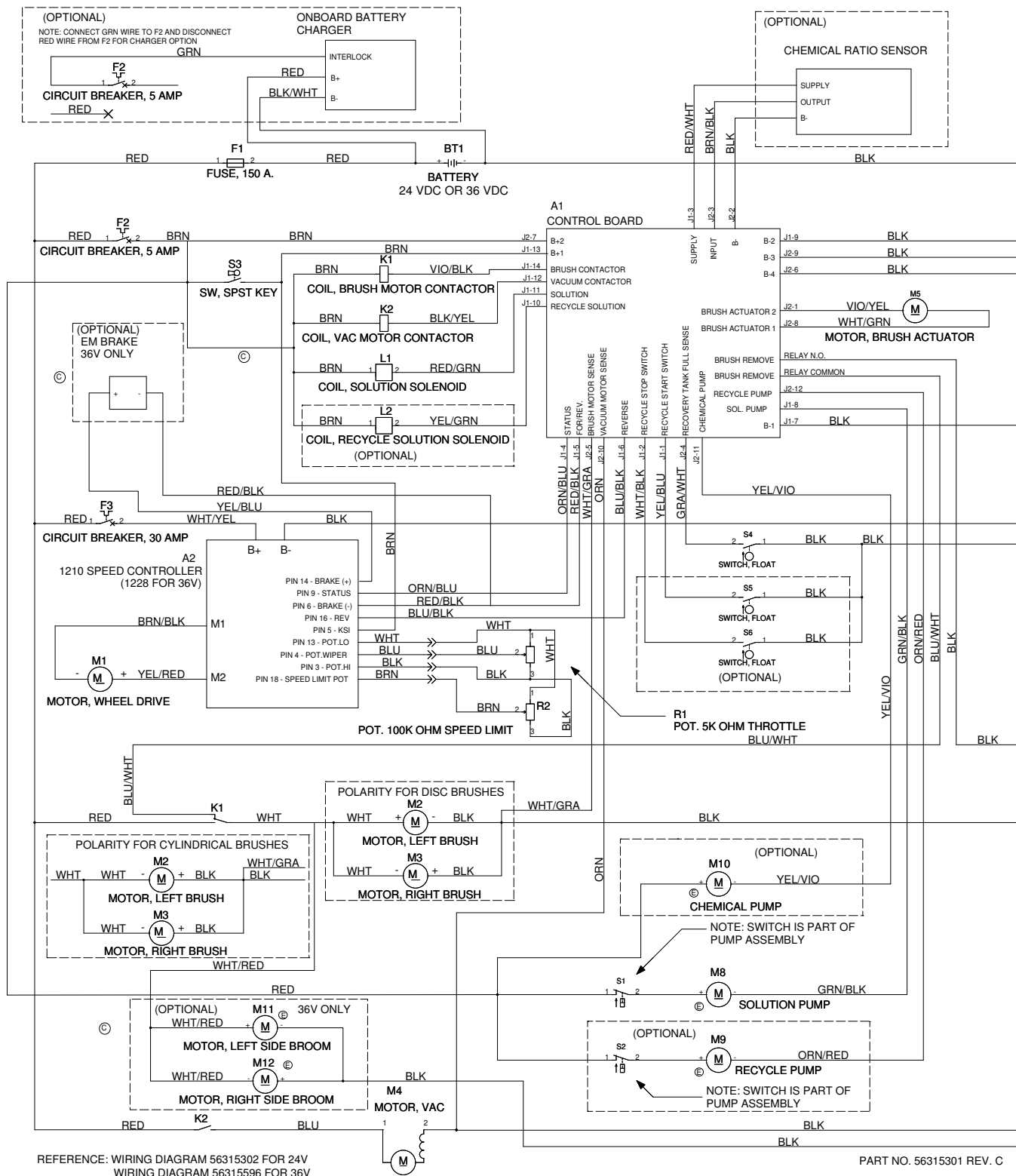
** = Optional, Not Included

NOTE 1: All squeegee blade kits include both front and rear squeegee blades.

NOTE 2: To replace all squeegee straps as a set order one of the three following Strap Kits:
 56109669-Strap Kit-D (for Squeegee Assy 56315632 or 56314697)
 56109666-Strap Kit-C (for Squeegee Assy 56315290)
 56109662-Strap Kit-B (for Squeegee Assy 56315291)
 These kits include both rear straps, front strap and the latch.



LADDER DIAGRAM - BEFORE SEPTEMBER 2009



LADDER DIAGRAM – BEFORE SEPTEMBER 2009

Item	Ref. No.	Qty	Description
A1	56315657	1	Control Panel-FM TSBUS2007-952 / TSBUS2007-958
	56316213	1	Control Panel-LC TSBUS2006-938 / TSBUS2006-950
A2	56315692	1	Speed Control TSBUS2006-950 / TSBUS2007-958
BT1	56391391	6	Battery, 6V, 305AH (model 56307250 only)
F1	56412089	1	Fuse, 150 Amp
F2	56315255	1	Circuit Breaker, 5 Amp
F3	56315256	1	Circuit Breaker, 30 Amp
K1	56397250	1	Contactora, Brush Motor (AXP™ Models)
	56395453	1	Contactora, Brush Motor (STD Models) TSBUS2008-1020
K2	56395455	1	Contactora, Vac Motor (All Models)
L1	56397215	1	Solenoid, Solution (EcoFlex)
	56303275	1	Solenoid Valve Assembly (non EcoFlex) TSB-FC-2015-023
L2	56397215	1	Solenoid, Recycle Solution (Optional)
M1	56382500	1	Transaxle, 36v
[]	56315676	1	Motor
[]	56315677	4	Carbon Brush
[]	56315678	2	Neoprene Mounting Sleeve
M2	56397316	1	Motor, Left Brush (Disk) TSBUS2010-1059
[]	56397139	4	Carbon Brush NOTE 2
[]	56397138	4	Brush Spring NOTE 2
[]	56380637	1	Brush Board Assy NOTE 2
	56315611	1	Motor, Left Brush (Cylindrical)
[]	56412287	1	Brush / Spring Kit NOTE 3
[]	56380003	1	Brush / Spring Kit NOTE 3
M3	56397316	1	Motor, Right Brush (Disk) TSBUS2010-1059
[]	56397139	4	Carbon Brush NOTE 2
[]	56397138	4	Brush Spring NOTE 2
[]	56380637	1	Brush Board Assy NOTE 2
	56315611	1	Motor, Left Brush (Cylindrical)
[]	56412287	1	Brush / Spring Kit NOTE 3
[]	56380003	1	Brush / Spring Kit NOTE 3
M4	56391208	1	Vac Motor Assy
[]	56377001	1	Carbon Brush Set of 2 NOTE 4
[]	56212223	1	Carbon Brush Set of 2 NOTE 5
M5	56109597	1	Motor, Brush Actuator TSBUS2009-1040
[]	56109596	1	Plastic Nut
M8	56315108	1	Pump, Solution
M9	56315107	1	Pump, Recycle (Optional)
M10	56315241	1	Pump, Chemical (Optional)
M11	56315383	1	Motor and Gear Unit (Optional)
M12	56315383	1	Motor and Gear Unit (Optional)
R1	56397029	1	Potentiometer, 5K Ohm, Throttle
R2	56396197	1	Potentiometer, 100K Ohm, Speed Limit
S1		1	Part of M7
S2		1	Part of M8
S3	56303553	1	Switch, Key
[]	56303526	A/R	Set of 2 Replacement Keys
	56380488	1	Key Switch Assy (model 56307250 only)
	56508699	A/R	Replacement Key (model 56307250 only)
S4	56315096	1	Switch, Float
S5	56315096	1	Switch, Float (Optional / Recycle Start)
S6	56315096	1	Switch, Float (Optional / Recycle Stop)
[]	56315774	1	Charger, Onboard 36V (Onboard Charger Models Only) NOTE 1 TSBUS2006-931 / TSBUS2007-979 / TSBUS2008-984 TSBUS2008-1003 / TSBUS2008-1008
[]	56315747	1	Thermister Repair Kit for 56315774
[]	56315340	1	Chemical Ratio Sensor (AXP™ Models Only)
[]	56109673	1	Harness, Main TSBUS2006-926 / TSBUS2007-955
[]	56315750	1	Vacuum Harness TSBUS2007-955
[]	56416445	3	Cable Assy 4 AWG (Battery Cables)
[]	56456460	2	Cable Assy 4 X 12 (Battery Cables)
[]	56372673	12	Boot, Battery Post
[]	56478246	12	Tie, Cable
[]	56314119	2	Spacer, Battery

[] = Not Shown

NOTE 1: Starting with Charger serial # CP360614027995 the charger software can be programmed with a computer and the QuiQ Programmer kit 56315732.

NOTE 2: If your Motor / Gear Unit Assembly has a serial tag from Imperial Electric order (4) Carbon Brushes 56397139 or (4) Brush Springs 56397138.

If your Motor / Gear Unit Assembly has a serial tag from Nilfisk-Advance order Brush Board Assy 56380637.

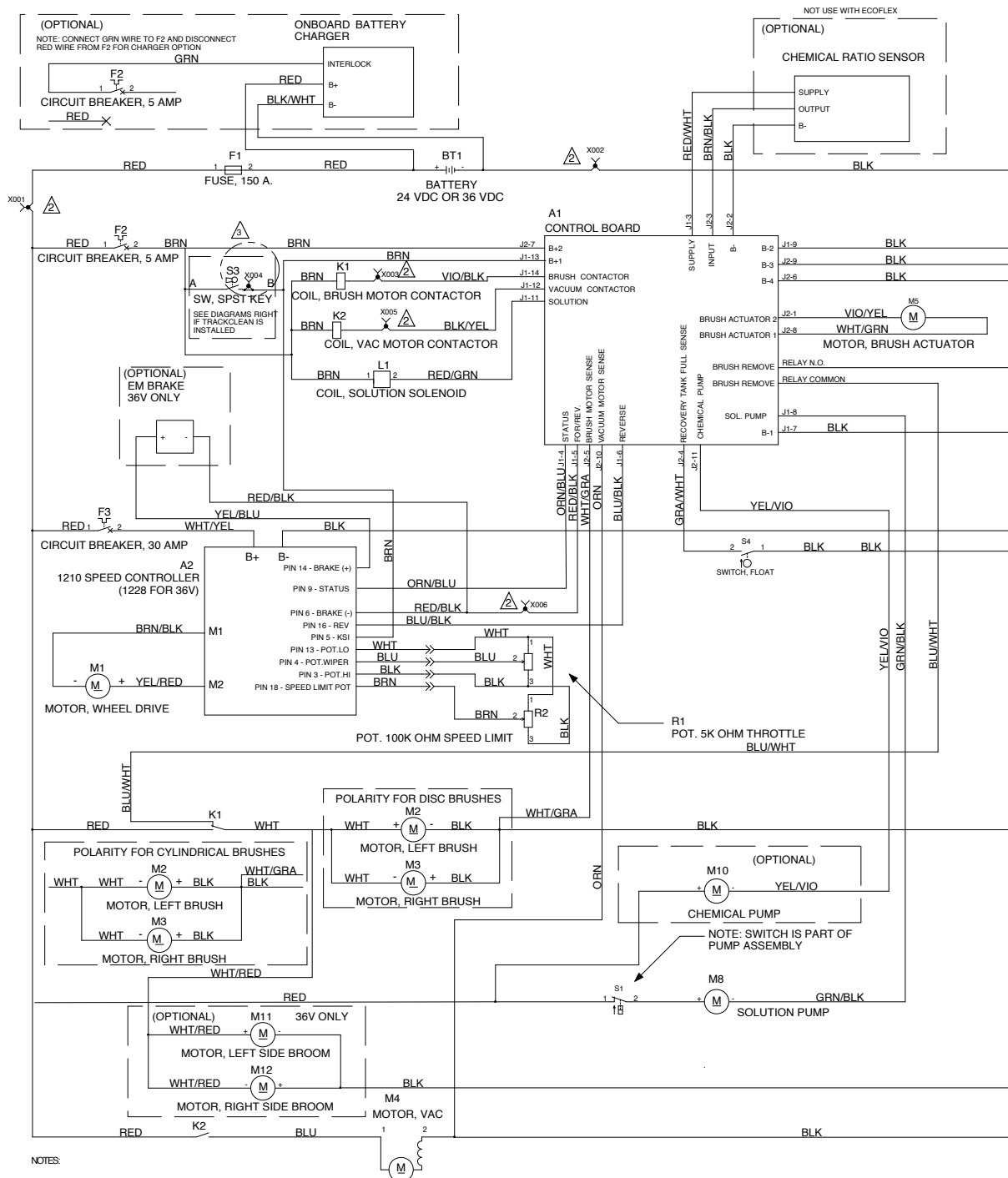
NOTE 3: If your cylindrical scrub motor has a serial tag from Scott Motors Co. order Brush / Spring Kit 56412287.

If your cylindrical scrub motor has a serial tag from Nilfisk-Advance order Brush / Spring Kit 56380003.

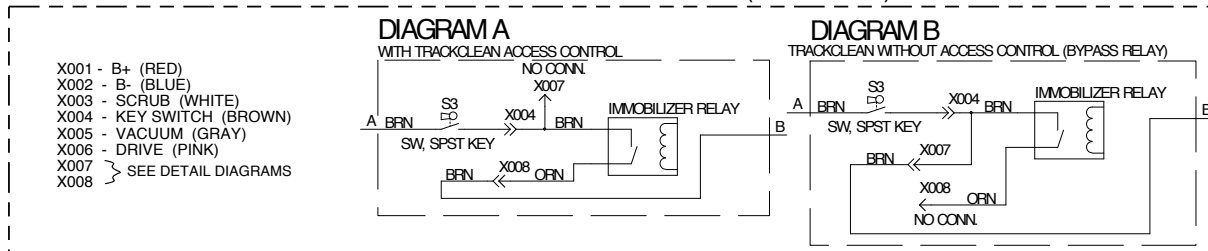
NOTE 4: For machines built before June 2011 with Vac Motor 56377470 – use Carbon Brushes 56377001.

NOTE 5: For machines built after June 2011 with Vac Motor 56109731 – use Carbon Brushes 56212223.

LADDER DIAGRAM - AFTER SEPTEMBER 2009



TRACKCLEAN CONNECTIONS (OPTIONAL)



LADDER DIAGRAM – AFTER SEPTEMBER 2009

Item	Ref. No.	Qty	Description	Item	Ref. No.	Qty	Description
A1	56315657	1	Control Panel-FM TSBUS2007-952 / TSBUS2007-958 / NOTE 4	[]	56315340	1	Chemical Ratio Sensor (AXP™ Models Only)
	56383092	1	Control Panel Kit NOTE 5	[]	56109673	1	Harness, Main TSBUS2006-926 / TSBUS2007-955
	56316213	1	Control Panel-LC TSBUS2006-938 / TSBUS2006-950	[]	56315750	1	Vacuum Harness TSBUS2007-955
A2	56315692	1	Speed Control TSBUS2006-950 / TSBUS2007-958	[]	56416445	3	Cable Assy 4 AWG (Battery Cables)
BT1	56391391	6	Battery, 6V, 305AH (model 56307250 only)	[]	56456460	2	Cable Assy 4 X 12 (Battery Cables)
F1	56412089	1	Fuse, 150 Amp	[]	56372673	12	Boot, Battery Post
F2	56315255	1	Circuit Breaker, 5 Amp	[]	56478246	12	Tie, Cable
F3	56315256	1	Circuit Breaker, 30 Amp	[]	56314119	2	Spacer, Battery
K1	56397250	1	Contacto ^r , Brush Motor (EcoFlex™ Models)	[] = Not Shown			
	56395453	1	Contacto ^r , Brush Motor (STD Models) TSBUS2008-1020				
K2	56395455	1	Contacto ^r , Vac Motor (All Models)				
L1	56397215	1	Solenoid, Solution (EcoFlex)				
	56303275	1	Solenoid Valve Assembly (non EcoFlex) TSB-FC-2015-023				
M1	56382500	1	Transaxle, 36v				
[]	56315676	1	Motor				
[]	56315677	4	Carbon Brush				
[]	56315678	2	Neoprene Mounting Sleeve				
M2	56397316	1	Motor, Left Brush (Disk) TSBUS2010-1059				
[]	56397139	4	Carbon Brush NOTE 2				
[]	56397138	4	Brush Spring NOTE 2				
[]	56380637	1	Brush Board Assy NOTE 2				
	56315611	1	Motor, Left Brush (Cylindrical)				
[]	56412287	1	Brush / Spring Kit NOTE 3				
[]	56380003	1	Brush / Spring Kit NOTE 3				
M3	56397316	1	Motor, Right Brush (Disk) TSBUS2010-1059				
[]	56397139	4	Carbon Brush NOTE 2				
[]	56397138	4	Brush Spring NOTE 2				
[]	56380637	1	Brush Board Assy NOTE 2				
	56315611	1	Motor, Left Brush (Cylindrical)				
[]	56412287	1	Brush / Spring Kit NOTE 3				
[]	56380003	1	Brush / Spring Kit NOTE 3				
M4	56391208	1	Vac Motor Assy				
[]	56377001	1	Carbon Brush Set of 2 NOTE 6				
[]	56212223	1	Carbon Brush Set of 2 NOTE 7				
M5	56109597	1	Motor, Brush Actuator TSBUS2009-1040				
[]	56109596	1	Plastic Nut				
M8	56315108	1	Pump, Solution				
M10	56315241	1	Pump, Chemical (Optional)				
M11	56315383	1	Motor and Gear Unit (Optional)				
M12	56315383	1	Motor and Gear Unit (Optional)				
R1	56397029	1	Potentiometer, 5K Ohm, Throttle				
R2	56396197	1	Potentiometer, 100K Ohm, Speed Limit				
S1		1	Part of M7				
S3	56303553	1	Switch, Key				
[]	56303526	A/R	Set of 2 Replacement Keys				
	56380488	1	Key Switch Assy (model 56307250 only)				
	56508699	A/R	Replacement Key (model 56307250 only)				
S4	56315096	1	Switch, Float				
[]	56315774	1	Charger, Onboard 36V (Onboard Charger Models Only) NOTE 1 TSBUS2006-931 / TSBUS2007-979 / TSBUS2008-984 TSBUS2008-1003 / TSBUS2008-1008				
[]	56315747	1	Thermister Repair Kit for 56315774				

NOTE 1: Starting with Charger serial # CP360614027995 the charger software can be programmed with a computer and the QuiQ Programmer kit 56315732.

NOTE 2: If your Motor / Gear Unit Assembly has a serial tag from Imperial Electric order (4) Carbon Brushes 56397139 or (4) Brush Springs 56397138.

If your Motor / Gear Unit Assembly has a serial tag from Nilfisk-Advance order Brush Board Assy 56380637.

NOTE 3: If your cylindrical scrub motor has a serial tag from Scott Motors Co. order Brush / Spring Kit 56412287.

If your cylindrical scrub motor has a serial tag from Nilfisk-Advance order Brush / Spring Kit 56380003.

NOTE 4: Only used on AXP models.

NOTE 5: Only used on EcoFlex models. AXP models are no longer in production and have been replaced by EcoFlex models.

NOTE 6: For machines built before June 2011 with Vac Motor 56377470 – use Carbon Brushes 56377001.

NOTE 7: For machines built after June 2011 with Vac Motor 56109731 – use Carbon Brushes 56212223.

OPTIONAL KITS & ACCESSORIES

<u>Ref. No.</u>	<u>Qty</u>	<u>Description</u>
Kits		
** 56112141	A/R	Kit-Vac Wand With Tote Bag
** 56315732	A/R	QuiQ Programmer Kit NOTE 2 TSBUS2007-979
** 56315597	A/R	Kit, Sound Reduction
** 9096219000	2	Wheel, Polyurethane - Traction
** 56314981	A/R	Battery Watering Kit
Kits for "D" Squeegee 56315632 & 56314697		
56315674	1	Kit, Gum Rubber Squeegee Blade "D" NOTE 1
** 56314865	1	Kit, Red Gum Rubber Squeegee Blade "D" NOTE 1
** 56315856	1	Kit, PU Squeegee Blade "D" NOTE 1
** 56109669	1	Strap Kit-D
Kits for "C" Squeegee 56315290		
56315348	1	Kit, Gum Rubber Squeegee Blade "C" NOTE 1
** 56315352	1	Kit, Red Gum Rubber Squeegee Blade "C" NOTE 1
** 56315855	1	Kit, PU Squeegee Blade "C" NOTE 1
** 56109666	1	Strap Kit-C
Kits for "B" Squeegee 56315291		
56315347	1	Kit, Gum Rubber Squeegee Blade "B" NOTE 1
** 56315351	1	Kit, Red Gum Rubber Squeegee Blade "B" NOTE 1
** 56315854	1	Kit, PU Squeegee Blade "B" NOTE 1
** 56109662	1	Strap Kit-B
Accessories		
** 56315316	A/R	Tote Bag
** 56383571	A/R	Programmer-User
** 56383572	A/R	Programmer Cable-Molex
** 56397453	6	Indicator, Battery Level (1 per battery)
** 56044373	A/R	Literature Pack (Prior to introduction of EcoFlex)
** 56044588	A/R	Literature Pack (After introduction of EcoFlex)

<u>Ref. No.</u>	<u>Qty</u>	<u>Description</u>
28" Disk Scrub Brushes		
** 56505800	2	Short Trim Pad Holder
** 56505195	2	Pad Retainer for 56505750
** 56505805	2	ProLite
** 56505804	2	Prolene
** 56505806	2	Union Mix
** 56505803	2	AgLite Grit 500
** 56505807	2	MidGrit 240
** 56505808	2	MidLite Grit 180
** 56505802	2	Dyna Grit 80
** 56505801	2	Magna Grit 46
32" Disk Scrub Brushes		
** 56505830	2	Short Trim Pad Holder
** 56505195	2	Pad Retainer for 56505750
** 56505835	2	ProLite
** 56505834	2	Prolene
** 56505836	2	Union Mix
** 56505833	2	AgLite Grit 500
** 56505837	2	MidGrit 240
** 56505838	2	MidLite Grit 180
** 56505832	2	Dyna Grit 80
** 56505831	2	Magna Grit 46
28" Cylindrical Scrub Brushes		
** 56412191	2	Soft Nylon
** 56412192	2	Hard Nylon
** 56412046	2	Prolene
** 56412193	2	MidLite Grit 180
** 56412194	2	Dyna Grit 80
** 56412195	2	Magna Grit 46
32" Cylindrical Scrub Brushes		
** 56407473	2	Soft Nylon
** 56407474	2	Hard Nylon
** 56407475	2	Prolene
** 56407476	2	MidLite Grit 180
** 56407477	2	Dyna Grit 80
** 56407478	2	Magna Grit 46

** = Optional, Not Included

NOTE 1: All squeegee blade kits include both front and rear squeegee blades.

NOTE 2: Starting with Charger serial # CP360614027995 the charger software can be programmed with a computer and the QuiQ Programmer kit 56315732.

BRUSH SELECTOR GUIDE - DISK

We provide brushes and pad holders that will give you the best possible performance between machine and floor. Following are descriptions of the materials and their applications.

- ProLite: Bristles are made from light-duty polypropylene for general scrubbing when you do not want to scratch or remove finish from the floor. Recommended for use in place of red pads.
- Prolene: Polypropylene material for medium-duty scrubbing on concrete, terrazzo and vinyl floor tile. Recommended for use in place of green or blue pads.
- Union Mix: Medium grade natural fibers for polishing finished floors with standard-speed equipment. Recommended for use in place of white pads.
- AgLite Grit 500: For light scrubbing when used wet; buffing or polishing when used dry on urethane coated, sealed concrete or other resilient hard surface floors. Recommended for use in place of red or white pads.
- MidGrit 240: For general purpose scrubbing when you need a lighter action for sealed or unsealed concrete, stone, terrazzo, quarry tile and other resilient hard floor surfaces. Recommended for use in place of green or blue pads.
- MidLite Grit 180: For general purpose scrubbing of sealed or unsealed concrete, stone, terrazzo, quarry tile and other resilient hard floor surfaces. Recommended for use in place of green or blue pads.
- Dyna Grit 80: For aggressive, heavy-duty scrubbing or stripping of floors. Recommended for use in place of brown pads.
- Magna Grit 46: For extreme heavy-duty scrubbing or stripping of floors. This brush has extra large diameter silicon carbide grit impregnated synthetic bristles. Recommended for use in place of black pads.
- Short Trim
- Pad Holder: Made with a structural foam block and center ring for correct pad centering. It has a "shower feed" design for getting solution to the floor.

28" BRUSHES

- 56505800 - Short Trim Pad Holder
- 56505195 - Pad Retainer for 56505800
- 56505805 - ProLite
- 56505804 - Prolene
- 56505806 - Union Mix
- 56505803 - AgLite Grit 500
- 56505807 - MidGrit 240
- 56505808 - MidLite Grit 180
- 56505802 - Dyna Grit 80
- 56505801 - Magna Grit 46

32" BRUSHES

- 56505830 - Short Trim Pad Holder
- 56505195 - Pad Retainer for 56505830
- 56505835 - ProLite
- 56505834 - Prolene
- 56505836 - Union Mix
- 56505833 - AgLite Grit 500
- 56505837 - MidGrit 240
- 56505838 - MidLite Grit 180
- 56505832 - Dyna Grit 80
- 56505831 - Magna Grit 46

DISC BRUSH APPLICATION GUIDE (SUGGESTION ONLY)

	46	80	180	240	500	Prolene	Prolite	Union
Application	Grit	Grit	Grit	Grit	Grit			Mix
Stripping:								
Concrete	X	X						
Terrazzo	X	X						
Ceramic/Quarry tile		X						
Vinyl tile		X						
General Scrubbing:								
Concrete	X	X	X	X		X		
Terrazzo			X	X	X	X		
Ceramic/Quarry tile			X	X	X	X		
Marble					X		X	
Vinyl tile			X		X	X		
Raised-rubber tile					X		X	
Polishing:								
Raised Disc Tile								X
Marble								X
Vinyl tile								X

BRUSH SELECTOR GUIDE - CYLINDRICAL

We provide brushes and pad holders that will give you the best possible performance between machine and floor. Following are descriptions of the materials and their applications.

Soft Nylon:	Least aggressive brush available. Used on soft-finish floors where a more aggressive brush would leave scratch marks, or in applications requiring very light cleaning.
Stiff Nylon:	Cleaning action similar to polypropylene. More durable and wear-resistant than polypropylene.
Prolene:	Low cost, yet effective in cleaning many common floor surfaces.
MidLite Grit 180:	Least aggressive grit brush. Used for daily cleaning of hard-finished floors.
Dyna Grit 80:	Medium aggressive grit brush. Good all-around brush for medium to heavy buildup removal. Can also be used for general stripping operations.
Magna Grit 46:	Most aggressive grit brush. Used primarily to clean heavy buildup on concrete floors in factories, or for heavy stripping of finish.

28" BRUSHES

56412191 - Soft Nylon
 56412192 - Hard Nylon
 56412046 - Prolene
 56412193 - MidLite Grit 180
 56412194 - Dyna Grit 80
 56412195 - Magna Grit 46

32" BRUSHES

56407473 - Soft Nylon
 56407474 - Hard Nylon
 56407475 - Prolene
 56407476 - MidLite Grit 180
 56407477 - Dyna Grit 80
 56407478 - Magna Grit 46

CYLINDRICAL BRUSH APPLICATION GUIDE (SUGGESTION ONLY)

Application	46 Grit	80 Grit	180 Grit	Polypro- pylene	Stiff Nylon	Soft Nylon
Stripping:						
Concrete	X	X				
Terrazzo	X	X				
Ceramic/Quarry tile		X				
Vinyl tile		X				
General Scrubbing:						
Concrete	X	X	X	X	X	
Terrazzo			X	X	X	X
Ceramic/Quarry tile			X	X	X	X
Marble			X		X	X
Vinyl tile			X	X	X	X
Raised-rubber tile			X			X

SQUEEGEE BLADE SELECTOR GUIDE

Gum Rubber: Provides superior wiping action on tile, terrazzo, and polished floors.

Red Gum Rubber: Provides longest life on finished or unfinished concrete floors.

Polyurethane: Oil resistance provides superior life in applications with oily floors.

SQUEEGEE BLADE APPLICATION GUIDE(SUGGESTION ONLY)

	Gum Rubber (Natural Rubber)	Red Gum Rubber (Natural Rubber)	Polyurethane/ Pentathane
Performance Traits			
Tear Strength		X	X
Abrasion Resistance		X	X
Applications			
Oil Resistant Applications			X
Appearance	Tan	Red	Translucent



9435 Winnetka Ave North
Minneapolis, MN 55445
www.advance-us.com
Phone: 800-989-2235
Fax: 800-989-6566
©2016 Nilfisk, Inc.

A Nilfisk Brand