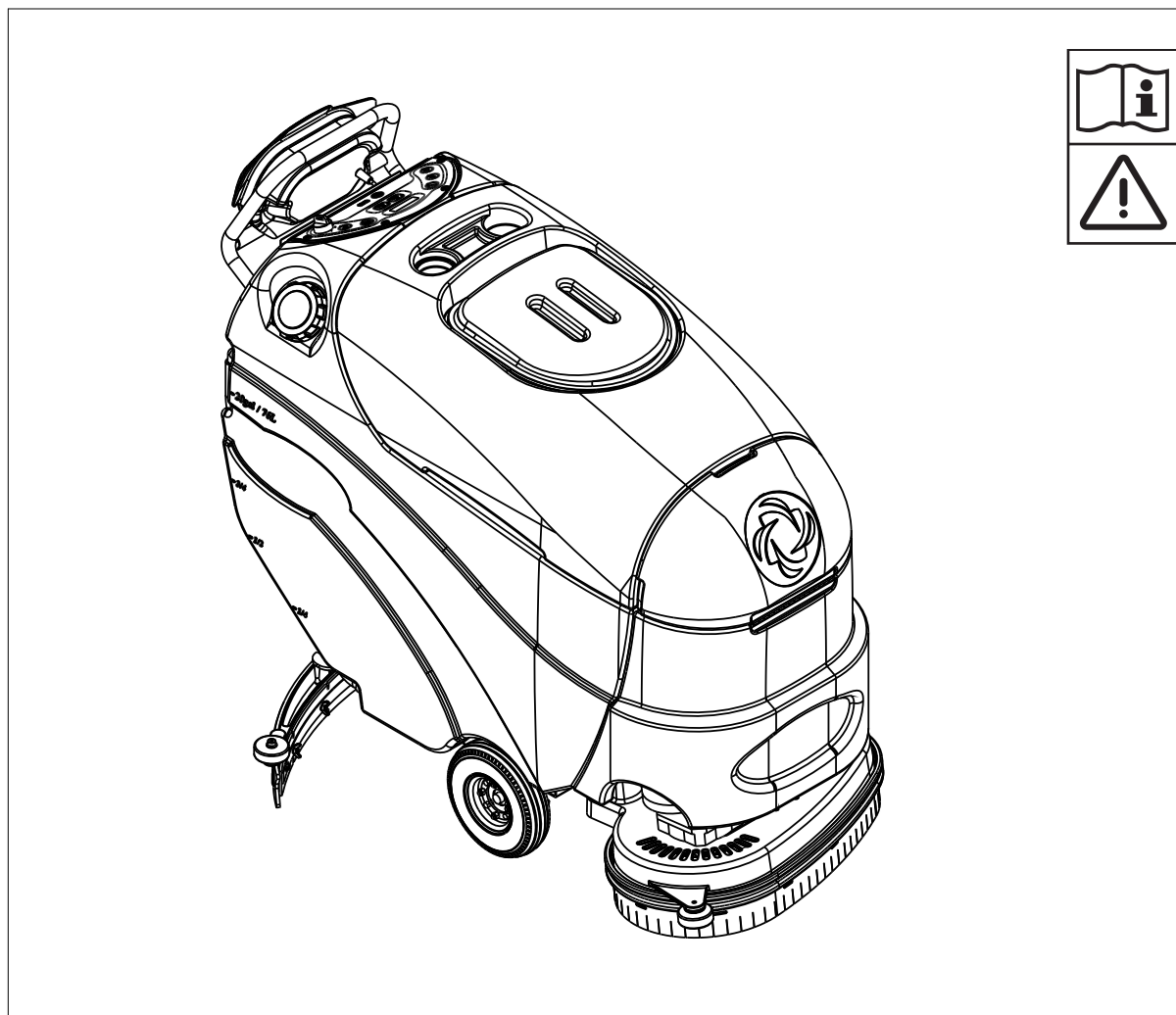


Convertamatic™ 24, 26, 28, 32



Instructions for Use / Instrucciones de uso

Advance Models: 56315000(24D-C), 56315001(26D), 56315002(28D), 56315003(24C-C), 56315004(28D-C), 56315005(28C-C), 56315006(X24D-C), 56315007(X24C-C), 56315008(26D-C), 56315009(X26D-C), 56315010(26C-C), 56315011(X26C-C), 56315012(X28D-C), 56315013(X28C-C), 56315804(32D-C) 56315805(X32D-C)



Advance
by Nilfisk-Advance

A-English
B-Español

11/04 revised 10/08 Form No. 56041596



A-2 / ENGLISH

TABLE OF CONTENTS

	Page
Introduction.....	A-3
Parts and Service	A-3
Nameplate	A-3
Unpacking the Machine	A-3
Cautions and Warnings	A-4
Consignes de prudence et de sécurité	A-5
Know Your Machine.....	A-6 – A-7
Control Panel.....	A-8
Preparing the Machine for Use	
Batteries	A-9
Installing the Brushes	A-10
Filling the Solution Tank.....	A-11
Squeegee Installation	A-11
Detergent (AXP™) System.....	A-12 – A-13
Operating the Machine	
Wet Scrubbing	A-14 – A-15
Wet Vacuuming	A-14 – A-15
After Using the Machine	A-16
Maintenance Schedule	A-16
Servicing the Vacuum Motor.....	A-16
Lubricating the Machine	A-16
Maintenance	
Charging the Batteries (Wet)	A-17
Charging the Batteries (Gel).....	A-17
Servicing the Squeegee	A-18
Adjusting the Squeegee	A-18
Servicing the Recovery Tank Switches.....	A-19
Adjusting Disk Deck Skirt Height.....	A-20
Troubleshooting	
Circuit Breakers Tripping	A-21
Poor Water Pickup.....	A-21
Squeegee Streaks	A-21
Swirl Marks.....	A-21
No Solution Flow	A-21
Scrub Deck Raises While Scrubbing (Cylindrical).....	A-21
No Detergent Flow (AXP).....	A-21
Technical Specifications	A-22

INTRODUCTION

This manual will help you get the most from your **Advance** automatic scrubber/dryer. Read it thoroughly before operating the machine.

Note: Bold numbers in parentheses indicate an item illustrated on pages 6-8 unless otherwise noted.

This product is intended for commercial use only.

PARTS AND SERVICE

Repairs, when required, should be performed by your Authorized Advance Service Center, who employs factory trained service personnel, and maintains an inventory of Advance original replacement parts and accessories.

Call Advance for repair parts or service. Please specify the Model and Serial Number when discussing your machine.

(Dealer, affix service sticker here.)

NAMEPLATE

The Model and Serial Number of your machine are shown on the Nameplate in the battery compartment. This information is needed when ordering repair parts for the machine. Use the space below to note the Model and Serial Number of your machine for future reference.

Model _____

Serial Number _____

UNPACKING THE MACHINE

When the machine is delivered, carefully inspect the shipping packaging and the machine for damage. If damage is evident, save the shipping carton (if applicable) so that it can be inspected. Contact the Advance Customer Service Department immediately to file a freight damage claim. Refer to the unpacking instruction sheet included with the machine to remove the machine from the pallet.

CAUTIONS AND WARNINGS

SYMBOLS

Advance uses the symbols below to signal potentially dangerous conditions. Read this information carefully and take the necessary steps to protect personnel and property.

DANGER!

Is used to warn of immediate hazards that will cause severe personal injury or death.

WARNING!

Is used to call attention to a situation that could cause severe personal injury.

CAUTION!

Is used to call attention to a situation that could cause minor personal injury or damage to the machine or other property.



Read all instructions before using.

GENERAL SAFETY INSTRUCTIONS

Specific Cautions and Warnings are included to warn you of potential danger of machine damage or bodily harm.

WARNING!

- * This machine should only be used by properly trained and authorized persons.
- * While on ramps or inclines, avoid sudden stops when loaded. Avoid abrupt sharp turns. Use low speed down hills. Clean only while ascending (driving up) the ramp.
- * Keep sparks, flame and smoking materials away from batteries. Explosive gases are vented during normal operation.
- * Charging the batteries produces highly explosive hydrogen gas. Charge batteries only in well-ventilated areas, away from open flame. Do not smoke while charging the batteries.
- * Remove all jewelry when working near electrical components.
- * Turn the key switch off (O) and disconnect the batteries before servicing electrical components.
- * Never work under a machine without safety blocks or stands to support the machine.
- * Do not dispense flammable cleaning agents, operate the machine on or near these agents, or operate in areas where flammable liquids exist.
- * Do not clean this machine with a pressure washer.
- * Do not operate this machine on ramps or inclines of more than a 2 percent gradient.
- * Only use the brushes provided with the appliance or those specified in the instruction manual. The use of other brushes may impair safety.

CAUTION!

- * This machine is not approved for use on public paths or roads.
- * This machine is not suitable for picking up hazardous dust.
- * Use care when using scarifier discs and grinding stones. Advance will not be held responsible for any damage to floor surfaces caused by scarifiers or grinding stones.
- * When operating this machine, ensure that third parties, particularly children, are not endangered.
- * Before performing any service function, carefully read all instructions pertaining to that function.
- * Do not leave the machine unattended without first turning the key switch off (O), removing the key and securing the machine.
- * Turn the key switch off (O) and remove the key, before changing the brushes, and before opening any access panels.
- * Take precautions to prevent hair, jewelry, or loose clothing from becoming caught in moving parts.
- * Use caution when moving this machine in below freezing temperature conditions. Any water in the solution, recovery or detergent tanks or in the hose lines could freeze, causing damage to valves and fittings. Flush with windshield washer fluid.
- * The batteries must be removed from the machine before the machine is scrapped. The disposal of the batteries should be safely done in accordance with your local environmental regulations.
- * Do not use on surfaces having a gradient exceeding that marked on the machine.
- * All doors and covers are to be positioned as indicated in the instruction manual before using the machine.
- * Refer to the battery charger OEM product manual for additional specific battery charger warnings.

SAVE THESE INSTRUCTIONS

CONSIGNES DE PRUDENCE ET DE SECURITE

SYMBOLES

Les symboles reproduits ci-dessous sont utilisés par Advance pour attirer l'attention de l'opérateur sur des situations potentiellement dangereuses. Il est donc conseillé de lire attentivement ces indications et de prendre les mesures adéquates en vue de protéger le personnel et le matériel.

DANGER!

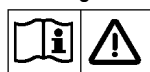
Ce symbole est utilisé pour mettre l'opérateur en garde contre les risques immédiats pouvant provoquer des dommages corporels graves, voire entraîner la mort.

ATTENTION!

Ce symbole est utilisé pour attirer l'attention sur une situation susceptible d'entraîner des dommages corporels graves.

PRUDENCE!

Ce symbole est utilisé pour attirer l'attention de l'opérateur sur une situation qui pourrait entraîner des dommages corporels minimes, ou des dommages à la machine ou à d'autres équipements.



Lire toutes les instructions avant d'utiliser l'appareil.

CONSIGNES GENERALES DE SECURITE

Les consignes spécifiques de prudence et de sécurité mentionnées ici ont pour but de vous informer de la survenance de tout risque de dommages matériels ou corporels.

ATTENTION!

- * Cette machine ne pourra être utilisée que par du personnel parfaitement entraîné et dûment autorisé.
- * Evitez les arrêts subits lorsque la machine est chargée et se trouve sur des rampes ou des plans inclinés. Evitez les virages serrés. Adoptez une vitesse réduite lorsque la machine est en descente. Ne nettoyez que lorsque la machine monte la pente.
- * Eloignez les batteries de toutes flammes, étincelles ou substance fumigène. Les gaz explosifs sont ventilés pendant le fonctionnement normal.
- * De plus, du gaz hydrogène explosif s'échappe des batteries lorsqu'elles sont en charge. Ne procédez au chargement des batteries que dans une zone bien ventilée, loin de toute flamme. Ne fumez pas à proximité des batteries lorsqu'elles sont en charge.
- * Otez tous vos bijoux lorsque vous travaillez à proximité de composants électriques.
- * Positionnez la clé de contact sur off (O) et déconnectez les batteries avant de procéder à l'entretien des composants électriques.
- * Ne travaillez jamais sous une machine sans y avoir placé, au préalable, des blocs de sécurité ou des étais destinés à soutenir la machine
- * Ne déversez pas d'agents nettoyants inflammables, ne faites pas fonctionner la machine à proximité de ces agents ou d'autres liquides inflammables.
- * Ne nettoyez pas cette machine avec un nettoyeur à pression.
- * Ne faites pas fonctionner la machine sur des rampes ou pentes de plus de 2 pour cent.
- * Utilisez uniquement les brosses fournies avec l'appareil ou celles spécifiées dans le manuel d'instructions. L'utilisation d'autres brosses peut mettre la sécurité en péril.

PRUDENCE!

- * Cette machine n'est pas conçue pour une utilisation sur les chemins ou voies publics.
- * Cette machine n'est pas conçue pour le ramassage des poussières dangereuses.
- * Faites extrêmement attention lorsque vous utilisez des disques de scarificateur et des meules. Advance ne pourra en aucun cas être tenu pour responsable des dommages occasionnés à vos sols par ce type d'équipement.
- * Lors de l'utilisation de cette machine, assurez-vous que des tiers, et notamment des enfants, ne courent pas le moindre risque.
- * Avant de procéder à toute opération d'entretien, veuillez lire attentivement toutes les instructions qui s'y rapportent.
- * Ne laissez pas la machine sans surveillance sans avoir, au préalable, coupé le contact, enlevé la clé de contact (O) et tiré le frein à main.
- * Positionnez la clé de contact sur off (O) avant de remplacer les brosses ou d'ouvrir tout panneau d'accès.
- * Prenez toutes les mesures nécessaires pour éviter que les cheveux, les bijoux ou les vêtements amples ne soient entraînés dans les parties mobiles de la machine.
- * Faites attention lorsque vous déplacez cette machine dans un endroit où la température peut descendre sous 0°. L'eau contenue dans les réservoirs de détergent, de récupération ou de solution ou dans les conduites risquerait de geler et par là même d'endommager les valves et raccords de la machine. Rincez avec un liquide de lave-glace.
- * Prenez soin d'enlever les batteries de la machine avant de mettre cette dernière au rebut. Pour ce qui est de l'élimination des batteries, conformez-vous aux réglementations locales en matière d'environnement.
- * N'utilisez pas sur des surfaces dont la pente dépasse celle mentionnée sur la machine.
- * Toutes les portes et couvercles doivent être dans la position mentionnée dans le manuel d'instruction avant de mettre la machine en service.
- * Consultez le manuel du fabricant du chargeur de batterie pour plus de consignes de sécurité spécifiques sur le chargeur de batterie.

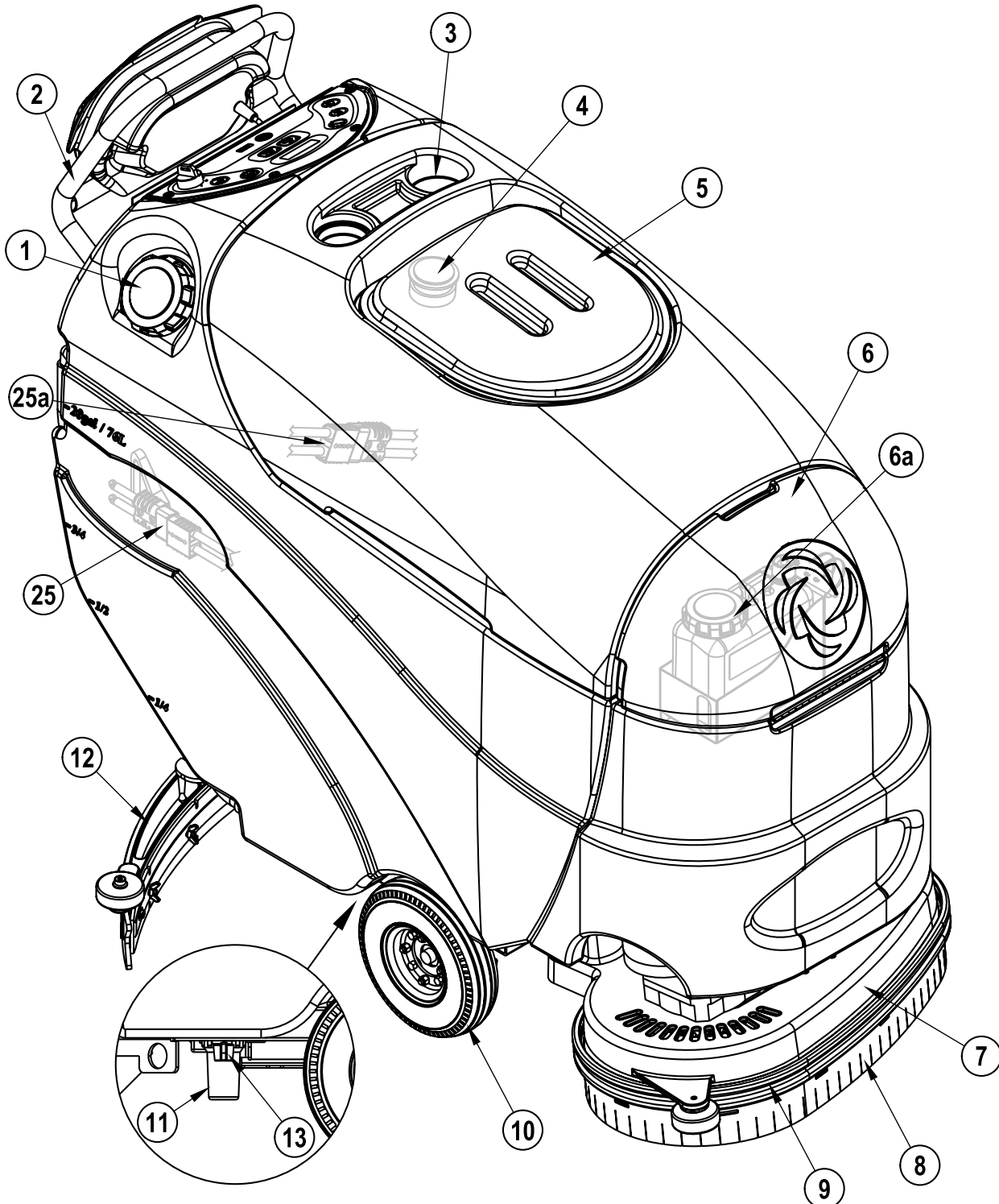
CONSERVEZ SOIGNEUSEMENT CES INSTRUCTIONS

KNOW YOUR MACHINE

As you read this manual, you will occasionally run across a bold number or letter in parentheses - example: **(2)**. These numbers refer to an item shown on this page unless otherwise noted. Refer back to this page whenever necessary, to pinpoint the location of an item mentioned in the text.

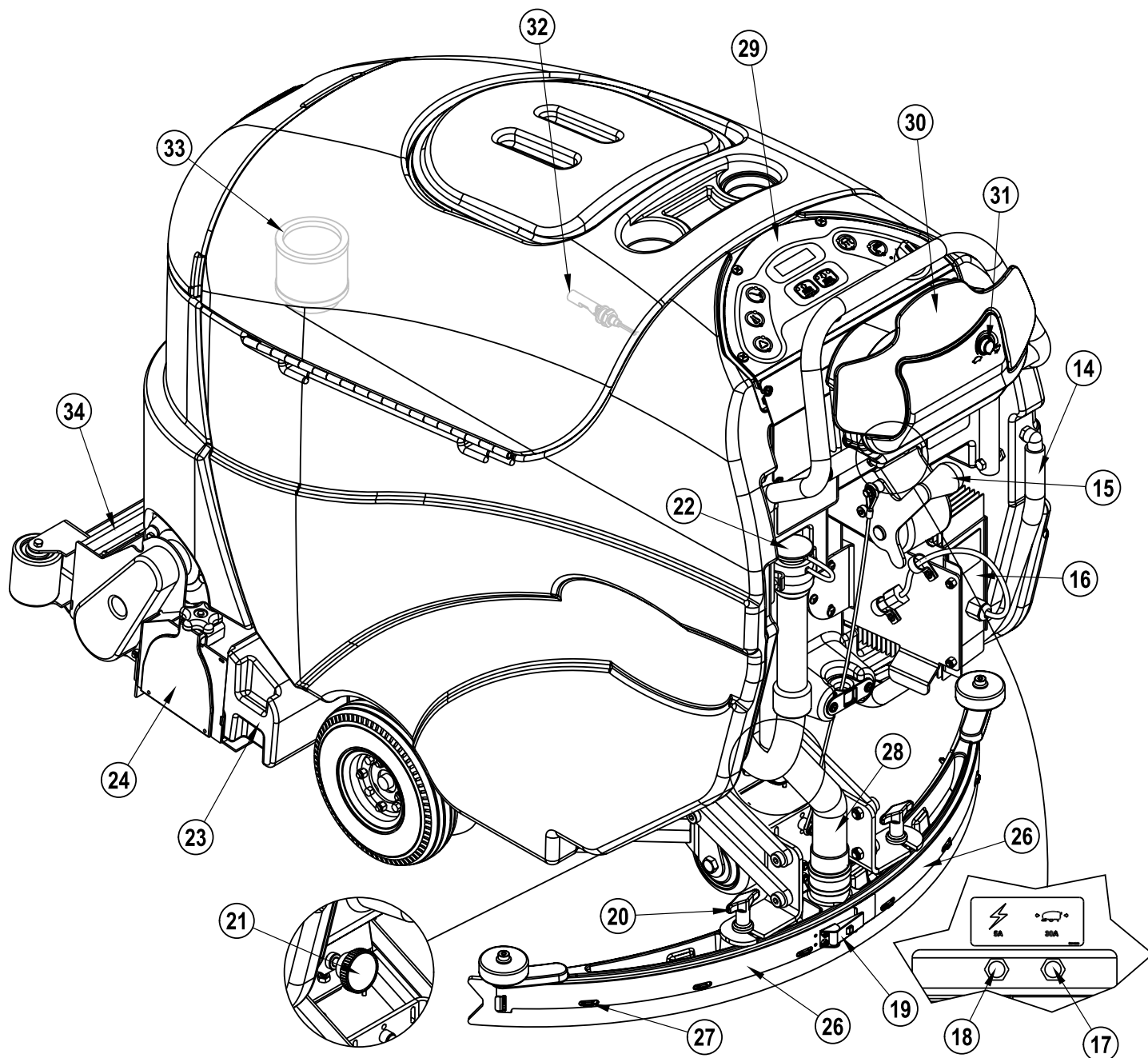
NOTE: Refer to the service manual for detailed explanations of each item illustrated on the next 3 pages.

- | | | | |
|----|---|----|--------------------------------|
| 1 | Solution Tank Fill | 7 | Scrub Deck |
| 2 | Operator Control Handle | 8 | Scrub Deck Skirt |
| 3 | Bottle Holders | 9 | Scrub Deck Bumper |
| 4 | Vacuum Motor Inlet Screen | 10 | Drive Wheel |
| 5 | Recovery Tank Cover | 11 | Solution Filter |
| 6 | Detergent(AXP) Cartridge Access Cover | 12 | Squeegee Assembly |
| 6a | Detergent(AXP) Cartridge (AXP models only) | 13 | Solution Shut-Off Valve |



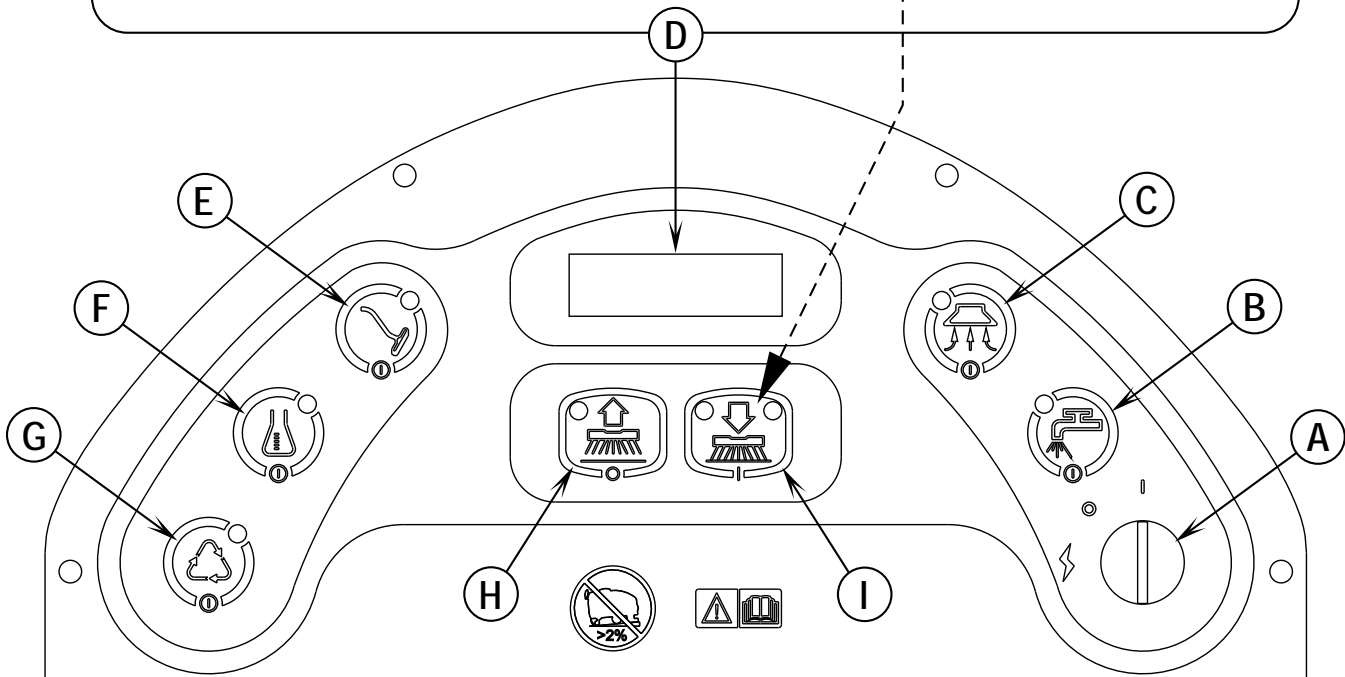
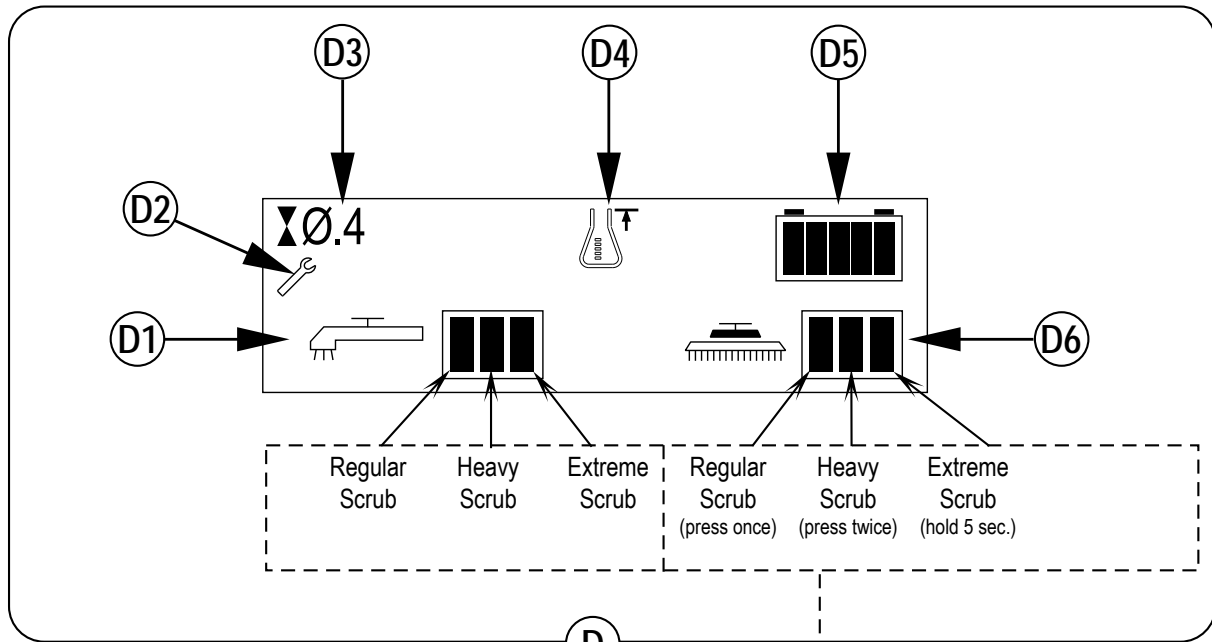
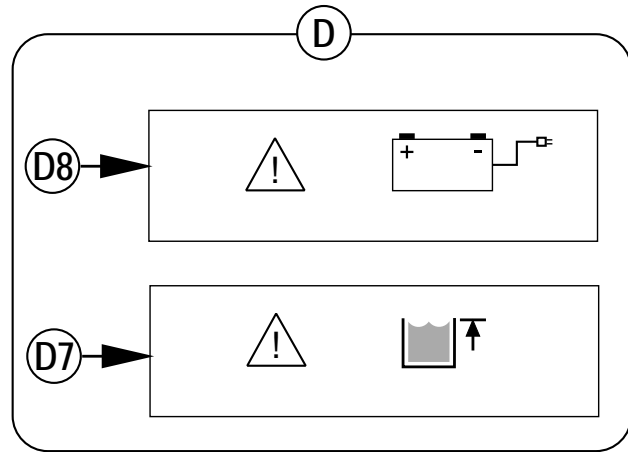
KNOW YOUR MACHINE

- 14 Solution Drain Hose / Level Indicator
- 15 Squeegee Raise / Lower Lever
- 16 Onboard Battery Charger (Not found on all models)
- 17 Wheel Drive Circuit Breaker
- 18 Control Circuit Circuit Breaker
- 19 Squeegee Blade Latch
- 20 Squeegee Mount Thumb Nut
- 21 Squeegee Adjustment Knob
- 22 Recovery Tank Drain Hose
- 23 Debris Hopper (Cylindrical Models Only)
- 24 Idler Assembly (Cylindrical Models Only)
- 25 Battery Pack Connector (non onboard charger models only)
- 25a Battery Pack Connector (onboard charger models only)
- 26 Squeegee Blade Tension Strap
- 27 Squeegee Blade Alignment Pins
- 28 Recovery Hose
- 29 Control Panel
- 30 Drive Paddle
- 31 Speed Limit Control Knob
- 32 Vacuum Shut Off Switch
- 33 Extended Scrub Filter (Optional)
- 34 Solution Manifold (Cylindrical Models Only)



CONTROL PANEL

- A Key Switch (Main Power)
- B Solution Switch
- C Vacuum Switch
- D Display Panel
- D1 Solution Flow Indicator
- D2 Fault Indicator
- D3 Hour Meter
- D4 AXP Indicator
- D5 Battery Indicator
- D6 Scrub Pressure Indicator
- D7 Recovery Tank FULL Indicator
- D8 Battery Low Indicator
- E Wand Switch (Dealer Installed Option)
- F Detergent System (AXP models only)
- G Extended Scrub System (Dealer Installed Option)
- H Scrub OFF
- I Scrub ON



BATTERIES

If your machine shipped with batteries installed do the following:

- Check that the batteries are connected to the machine (25 / 25a).
- Turn ON the Key Switch (A) and check the Battery Indicator (D5). If the gauge is completely filled, the batteries are ready for use. If the gauge is less than full, the batteries should be charged before use. See the "Charging The Batteries" section.
- **IMPORTANT!: IF YOUR MACHINE HAS AN ONBOARD BATTERY CHARGER REFER TO THE OEM PRODUCT MANUAL FOR INSTRUCTIONS REGARDING SETTING THE CHARGER FOR BATTERY TYPE.**

See TSBUS2007-979 for the latest battery charger algorithms.

If your machine shipped without batteries installed do the following:

- Consult your Authorized Advance dealer for recommended batteries.
- Install the batteries by following the instructions below.
- **DO NOT install two 12 volt batteries in your machine. This affects the stability of the machine.**
- **IMPORTANT!: IF YOUR MACHINE HAS AN ONBOARD BATTERY CHARGER REFER TO THE OEM PRODUCT MANUAL FOR INSTRUCTIONS REGARDING SETTING THE CHARGER FOR BATTERY TYPE.**

See TSBUS2007-979 for the latest battery charger algorithms.

WARNING!

Use extreme caution when working with batteries. Sulfuric acid in batteries can cause severe injury if allowed to contact the skin or eyes. Explosive hydrogen gas is vented from the batteries through openings in the battery caps. This gas can be ignited by any electrical arc, spark or flame. Do not install any lead-acid battery in a sealed container or enclosure. Hydrogen gas from overcharging must be allowed to escape.

When Servicing Batteries...

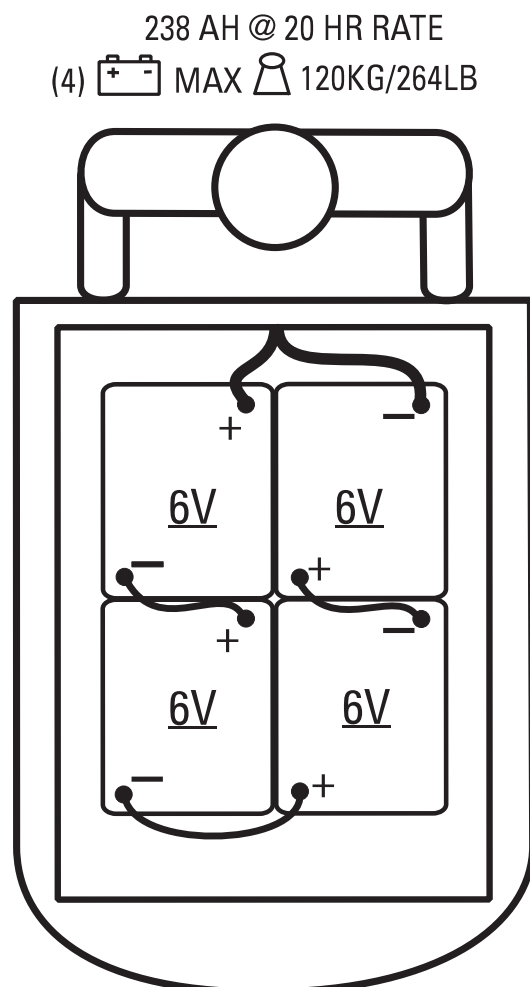
- * Remove all jewelry
- * Do not smoke
- * Wear safety glasses, rubber gloves and a rubber apron
- * Work in a well-ventilated area
- * Do not allow tools to touch more than one battery terminal at a time
- * ALWAYS disconnect the negative (ground) cable first when replacing batteries to prevent sparks.
- * ALWAYS connect the negative cable last when installing batteries.

CAUTION!

Electrical components in this machine can be severely damaged if the batteries are not installed and connected properly. Advance, a qualified electrician, or the battery manufacturer should install batteries.

- 1 Remove the batteries from their shipping crate and carefully inspect them for cracks or other damage. If damage is evident, contact the carrier that delivered them or the battery manufacturer to file a damage claim.
- 2 Turn the Master Key Switch (A) OFF and remove the key.
- 3 Tip the recovery tank to the side, locked position. Remove the battery cables from inside the battery compartment.
- 4 Your machine comes from the factory with enough battery cables to install four 6 volt batteries. Carefully lift the batteries into the battery compartment and arrange them exactly as shown in **FIGURE 1**. Secure the batteries as close to the back of the machine as possible.
- 5 Install the battery cables as shown. Position the cables so the battery caps can be easily removed for battery service.
- 6 Carefully tighten the nut in each battery terminal until the terminal will not turn. Do not over-tighten the terminals, or they will be very difficult to remove for future service.
- 7 Coat the terminals with spray-on battery terminal coating (available at most auto parts stores).
- 8 Put one of the black rubber boots over each of the terminals and connect the Battery Pack Connector (25 / 25a).

FIGURE 1



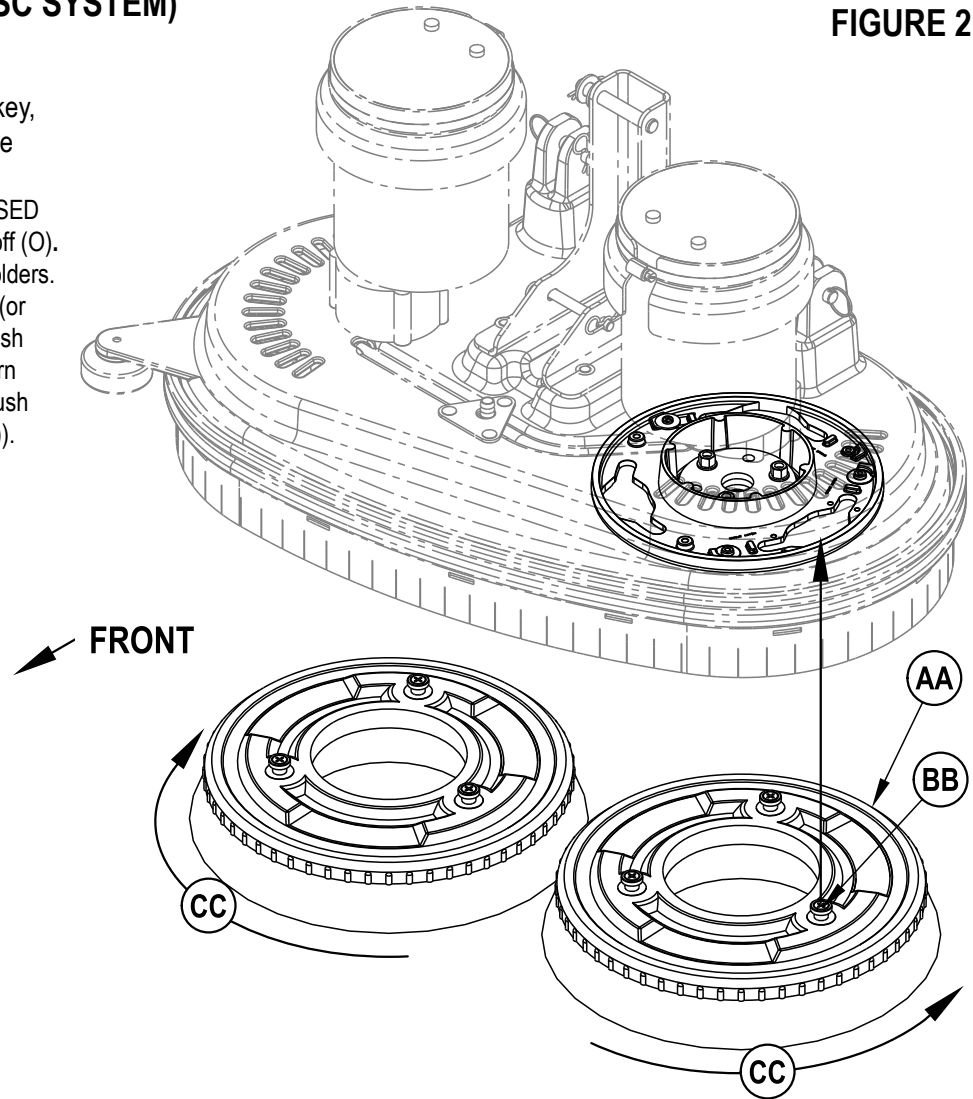
INSTALLING THE BRUSHES (DISC SYSTEM)

FIGURE 2

CAUTION!

Turn the key switch off (O) and remove the key, before changing the brushes, and before opening any access panels.

- 1 Make sure the Brush Deck (7) is in the RAISED position. Make sure the Key Switch (A) is off (O).
- 2 If using pads, install the pads on the pad holders.
- 3 **See Figure 2.** To mount the Brushes (AA) (or pad holders) align the Lugs (BB) on the brush with the holes on the mounting plate and turn to lock in place (turn the outside edge of brush towards the rear of machine as shown (CC)).



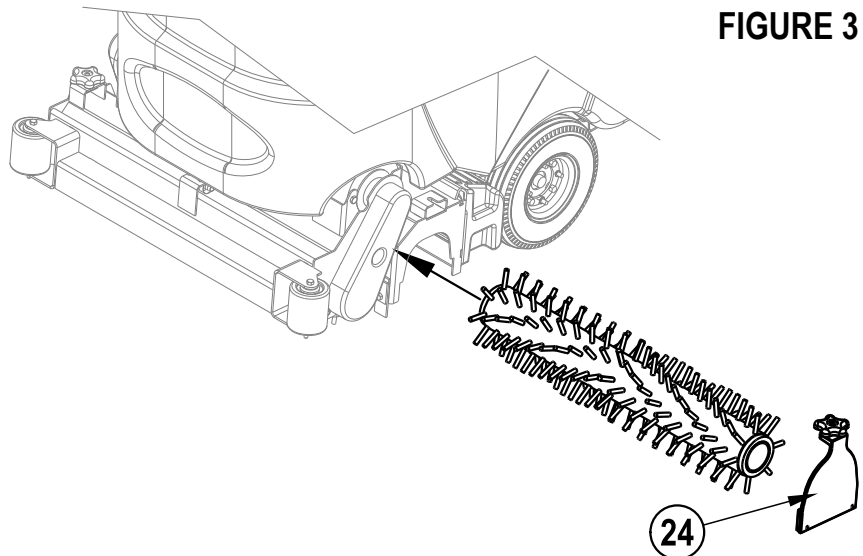
INSTALL THE BRUSHES (CYLINDRICAL SYSTEM)

CAUTION!

Turn the key switch off (O) and remove the key, before changing the brushes, and before opening any access panels.

- 1 Make sure the Brush Deck is in the RAISED position. Make sure the Key Switch (A) is off (O).
- 2 **See Figure 3.** To access the brushes loosen the black knobs (one on each side) on top of the idler assemblies (24) and remove the idler assemblies. Slide the brush into the housing, lift slightly, push and turn until it seats. Re-install the idler assemblies.

FIGURE 3



FILLING THE SOLUTION TANK

Fill the solution tank with a maximum of 20 gallons (76 Liters) of cleaning solution. Do not fill the solution tank above 7.5 cm (3 inches) from the bottom of the Solution Fill (1). The solution should be a mixture of water and the proper cleaning chemical for the job. Always follow the dilution instructions on the chemical container label. **NOTE:** AXP machines can either be used conventionally with detergent mixed in the tank or the AXP detergent dispensing system can be used. When using the AXP detergent dispensing do not mix detergent in the tank, plain water should be used.



CAUTION!

Use only low-foaming, non-flammable liquid detergents intended for machine application. Water temperature should not exceed 130 degrees fahrenheit (54.4 degrees celsius)

SQUEEGEE INSTALLATION

- 1 See Figure 4. Slide the Squeegee Assembly (12) onto the squeegee mount bracket and tighten the Squeegee Mount Thumb Nuts (20).
- 2 Connect the Recovery Hose (28) to the squeegee inlet.
- 3 Lower the squeegee, move the machine ahead slightly and adjust the squeegee tilt using the Squeegee Adjustment Knob (21) so that the rear squeegee blade touches the floor evenly across its entire width and is bent over slightly as shown.

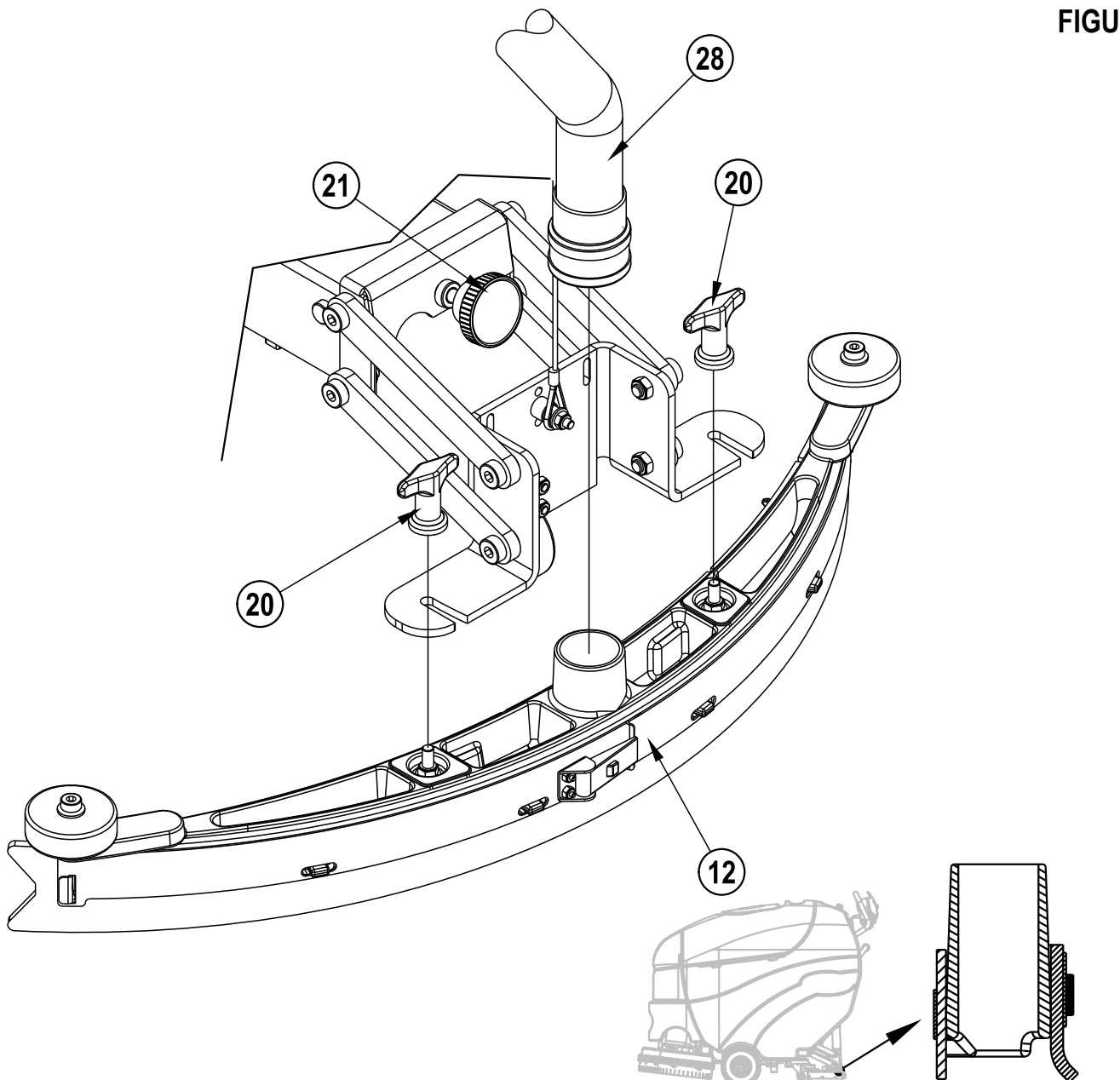


FIGURE 4

A-12 / ENGLISH

DETERGENT (AXP) SYSTEM PREPARATION AND USE

COMMON INSTRUCTIONS:

The system should be purged of previous detergent when switching to a different detergent. **SERVICE NOTE:** Move machine over floor drain before purging because a small amount of detergent will be dispensed in the process.

To Purge When Changing Chemicals:

- 1 Disconnect and remove the detergent cartridge.
- 2 Turn the Key Switch (A) ON and press the Detergent Switch (F) and the Solution Switch (B) down for at least 2 seconds. **NOTE:** Once activated the purge process takes 10 seconds. See illustration on next page for Detergent System indicators. Normally one purge cycle is adequate to purge the system.

To Purge Weekly:

- 1 Disconnect and remove the detergent cartridge. Install and connect a Cartridge filled with clean water
- 2 Turn the Key Switch (A) ON and press the Detergent Switch (F) and the Solution Switch (B) down for at least 2 seconds. **NOTE:** Once activated the purge process takes 10 seconds. See illustration on next page for Detergent System indicators. Normally one purge cycle is adequate to purge the system.

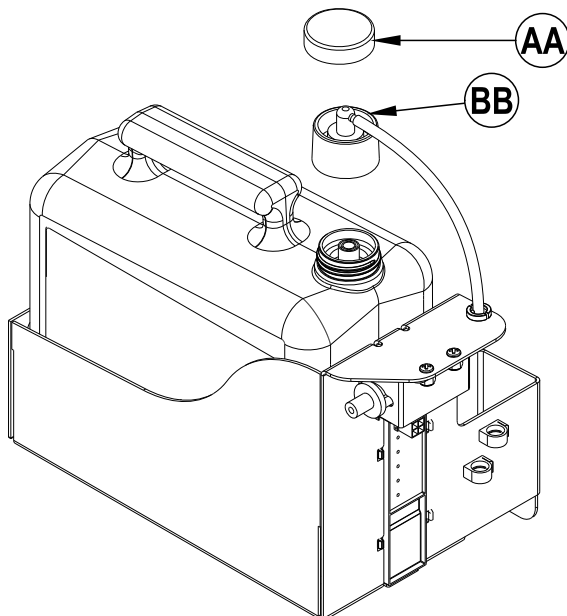
When the Detergent Cartridge is almost empty a Display Panel (D) indicator will come on. This "Low Detergent" indicator will remain on until you reset the system. Once this indicator comes on you should be able to simply pour an entire gallon bottle of detergent into the Cartridge to refill without worrying about measuring. **NOTE:** Only reset the system when the cartridge is full. When switching cartridges, the "Low Detergent" indicator is only accurate if the replacement cartridge is at the same level as the cartridge being replaced.

To Reset:

- 1 Turn the Key Switch (A) ON and hold the Detergent Switch (F) down for 2 seconds. See illustration on next page for Detergent System indicators.

NON-REFILLABLE CARTRIDGE SPECIFIC INSTRUCTIONS:

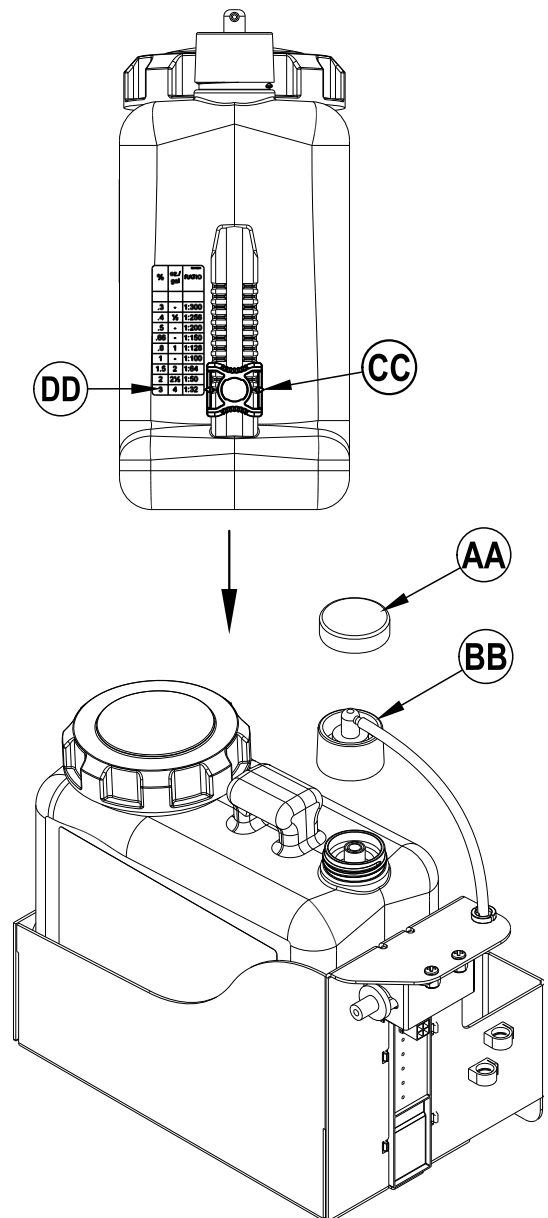
Remove the Cap (AA) and place the cartridge in the detergent box. Install the Dry Break Cap (BB) as shown.



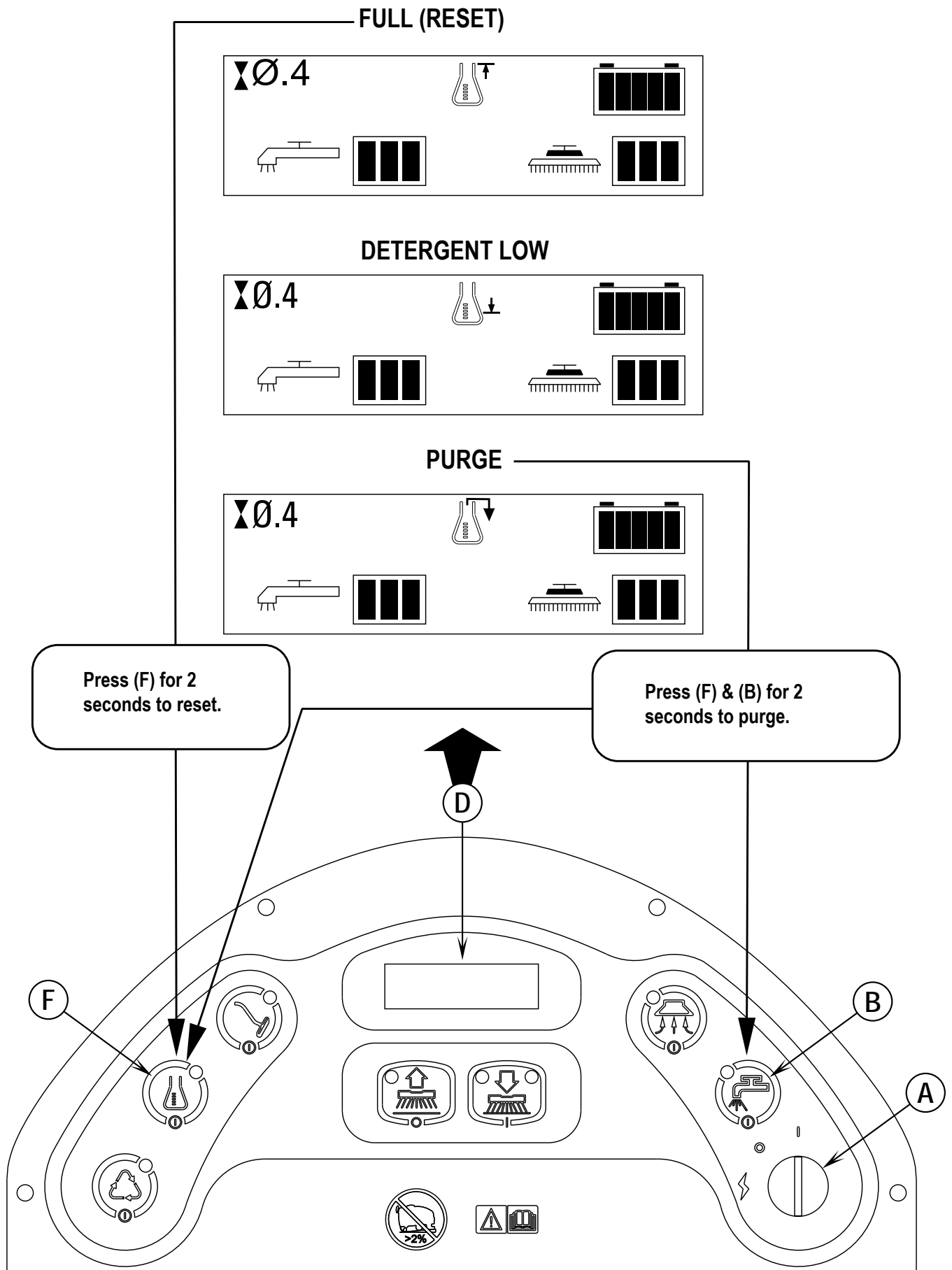
REFILLABLE CARTRIDGE SPECIFIC INSTRUCTIONS:

Fill the detergent cartridge with a maximum of 1.25 gallons (4.73 Liters) of detergent. **SERVICE NOTE:** Remove the detergent cartridge from the detergent box prior to filling to avoid spilling detergent on the machine.

It is recommended that a separate cartridge be used for each detergent you plan to use. The detergent cartridges have a white decal on them so you can write the detergent name on each cartridge to avoid mixing them up. The detergent cartridge has a Magnetic Slider (CC) on one end that needs to be set to the proper dilution ratio according to the dilution instructions on the manufacturer's bottle. Slide the Magnet Slider (CC) to the appropriate location on Detergent Dilution Ratio Decal (DD). When installing a new cartridge, remove the Cap (AA) and place the cartridge in the detergent box. Install the Dry Break Cap (BB) as shown.



DETERGENT (AXP) SYSTEM PREPARATION AND USE



A-14 / ENGLISH

WET SCRUBBING



WARNING!

Be sure you understand the operator controls and their functions.

While on ramps or inclines, avoid sudden stops when loaded. Avoid abrupt sharp turns. Use low speed down hills. Clean only while ascending (driving up) the ramp.

- 1 Follow the instructions in the Preparing The Machine For Use section of this manual.
- 2 Turn the Master Key Switch **(A)** ON (I). This will display the control panel indicator lights, reference the Battery Indicator and Hour Meter on the Display Panel **(D)**.
- 3 To transport the machine to the work area, push the Drive Paddle **(30)** forward to go forward or pull the Drive Paddle **(30)** backward to move the machine in reverse. Vary the pressure on the Drive Paddle **(30)** to obtain the desired speed.

NOTE: Speed Control Knob **(13)** is used to control the maximum speed in either forward or reverse.

- 4 Press and hold the Solution Switch **(B)** for 5 seconds to pre-wet the floor. **NOTE:** This must be done prior to pressing the Scrub ON Switch **(I)**.
- 5 Press the Scrub ON Switch **(I)** once for Regular Scrub or twice for Heavy Scrub mode. Hold this switch for 5 seconds for Extreme Scrub mode. Both the solution system and detergent system have 3 flow rate presets that coincide with the 3 scrub modes (see Control Panel). **NOTE:** There is a solution flow rate over ride function if you wish to increase solution flow without increasing scrub pressure. Hold the Solution Switch **(B)** for 3 seconds (solution indicator will start flashing) and then let go. You then have 3 seconds to set a different flow rate by simply pressing the Solution Switch **(B)** repeatedly until the Solution Flow Rate Indicator shows the rate you desire (Regular, Heavy or Extreme / see Control Panel). Any subsequent scrub pressure adjustments will reset the solution flow rate to default.

NOTE: The solution, vacuum and detergent (AXP only) systems are automatically activated when the Scrub ON Switch **(I)** is pressed. No further action is required other than lowering the squeegee **(15)**. Any individual system can be turned OFF or back ON by simply pressing its switch at any time during scrubbing. If you have installed the Extended Scrub Kit, it will not be automatically activated. You must press the Recycle Switch **(G)** to activate this system. The recycle system will not turn ON until the water level in the recovery tank reaches a certain level.

- 6 Lower the squeegee with the Squeegee Raise / Lower Lever **(15)**.
- 7 When the Drive Paddle **(30)** is in the neutral position, the scrub, vacuum, solution and detergent (AXP only) systems are activated but not running. Grip the Operator Control Handle **(2)** and push the Drive Paddle **(30)** forward to start the scrub, vacuum, solution and detergent (AXP only), and to move the machine forward. For best results, move the machine at a slow walking speed. Press the Solution Switch **(B)** once to turn OFF while making sharp turns. Pull the Drive Paddle **(30)** backward to move the machine in reverse. The brushes will run while moving the machine in reverse, but solution and chemical will not be dispensed.



CAUTION!

To avoid damaging the floor, keep the machine moving while the brushes are turning.

- 8 For extremely dirty floors, a one-pass scrubbing operation may not be satisfactory and a “double-scrub” operation may be required. This operation is the same as a one-pass scrubbing except on the first pass the squeegee is in the up position. This allows the cleaning solution to remain on the floor to work longer. The final pass is made over the same area, with the squeegee lowered to pick up the accumulated solution.
- 9 The recovery tank has an automatic shut-off switch that turns ALL systems OFF except the drive system when the recovery tank is full. When this switch is activated, the recovery tank must be emptied. The machine will not pick up water or scrub with the switch activated. **NOTE:** All other indicators vanish and a “Recovery Tank FULL” indicator **(FF)** turns on in the Display Panel when the switch is activated.
- 10 When the operator wants to stop scrubbing or the recovery tank is full, press the Scrub OFF Switch **(H)** once. This will automatically stop the scrub brushes and solution flow and the scrub deck will raise UP. **NOTE:** the vacuum will stop after a 10 second delay, this is to allow any remaining water to be picked up without turning the vacuum back on.
- 11 Raise the squeegee and drive the machine to a designated wastewater “DISPOSAL SITE” and empty the recovery tank. To empty, pull the Recovery Tank Drain Hose **(22)** from its hanger, then open the cap (hold the end of the hose above the water level in the tank to avoid sudden, uncontrolled flow of waste water). The Recovery Tank Drain Hose **(22)** can be squeezed to regulate the flow. Refill the solution tank and continue scrubbing.

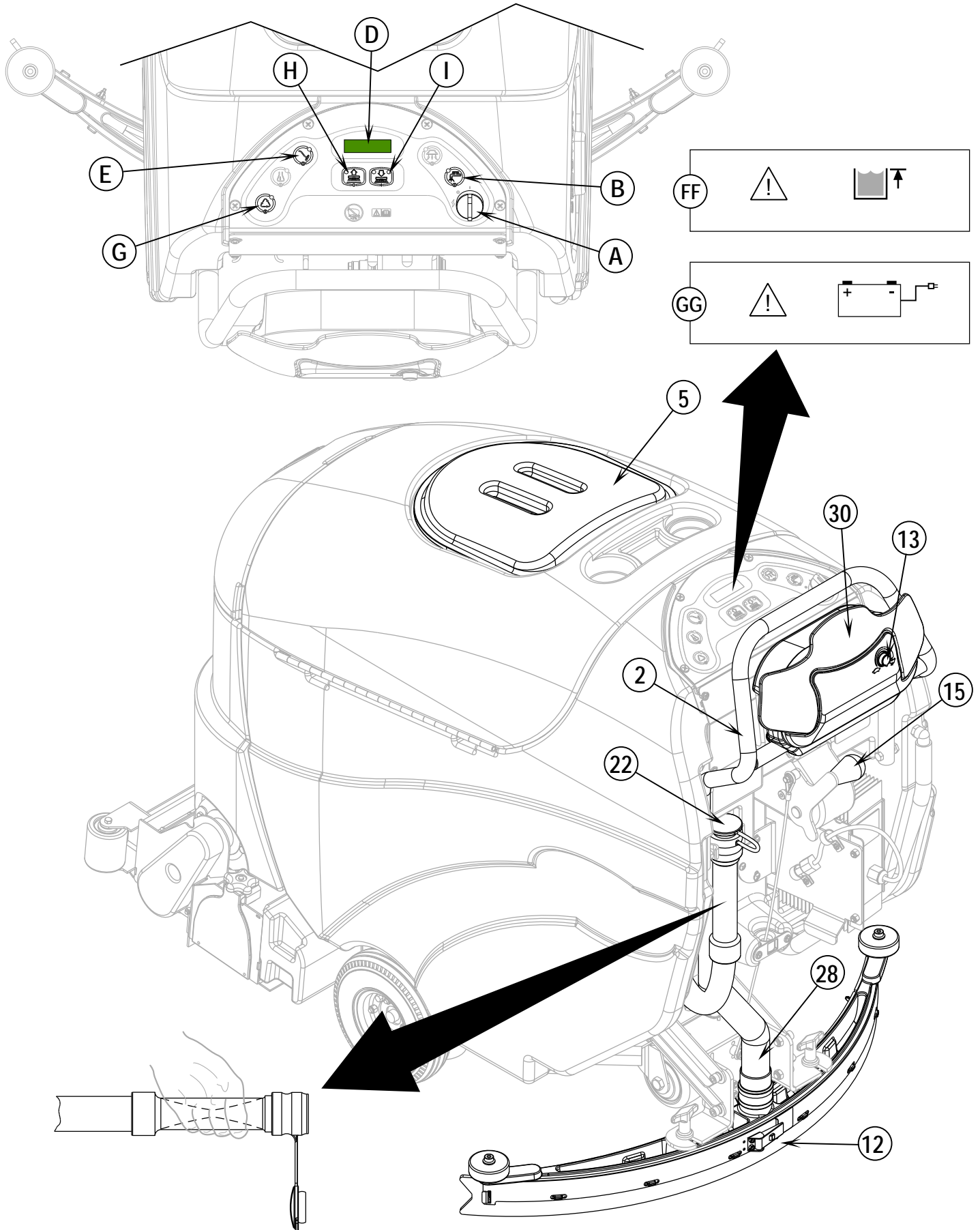
NOTE: Make sure the Recovery Tank Cover **(5)** and the Recovery Tank Drain Hose **(22)** cap is properly seated or the machine will not pick-up water correctly. When the batteries require recharging the Battery LOW Indicator **(D8)** will come on and the vacuum motor will shut off after 30 seconds. Transport the machine to a service area and recharge the batteries according to the instructions in the Battery section of this manual.

WET VACUUMING

Fit the machine with optional attachments for wet vacuuming.

- 1 Disconnect the Recovery Hose **(28)** from the Squeegee **(12)**.
- 2 Attach suitable wet pick-up tools to the hose (Available from Advance).
- 3 Turn the Master Key Switch **(A)** ON.
- 4 Press the Wand Switch **(E)** once to turn ON the vacuum motor.

SERVICE NOTE: Refer to the service manual for detailed functional descriptions of all controls and optional programmability.



AFTER USE

- 1 Raise the brushes (or pads) and raise the squeegee. Move the machine to a service area.
- 2 Turn the Master Key Switch **(A)** OFF and remove the key.
- 3 To empty the solution tank, pull the Solution Drain Hose **(14)** off the elbow. Direct the hose to a floor drain or bucket. Rinse the tank with clean water. Inspect the solution hoses; replace if kinked or damaged.
- 4 To empty the recovery tank, remove the Recovery Tank Drain Hose **(22)** from its hanger, then remove the cap (hold the end of the hose above the water level in the tank to avoid sudden, uncontrolled flow of waste water). The Recovery Tank Drain Hose **(22)** can be squeezed to regulate the flow. Rinse the tank and recovery tank switches **(32)** with clean water. Inspect the recovery and vacuum hoses; replace if kinked or damaged. **SERVICE NOTE:** Make sure you do not get any water down the Vacuum Motor Inlet Screen **(4)** while cleaning.
NOTE: If you have the extended scrub option installed the system will need to be purged.
- 4a After each use, drain and rinse the recovery tank thoroughly and then fill the recovery tank about 1/3 full with clean water.
- 4b Push and hold the Extended Scrub Button **(G)** for 3 seconds (the indicator will turn green) to initiate the purge function. The purge will run for 20 seconds.
NOTE: This is to flush any debris from the system. If you do not do this, the extended pump and(or) solenoid valve could become plugged up with debris.
- 5 Remove the brushes or pad holders. Rinse the brushes or pads with warm water and hang up to dry. Allow buffing pads to dry completely before using again.
NOTE: You can either remove the brushes manually or automatically by pressing and holding the Scrub OFF Switch **(H)** for 5 seconds **(disk models only)**.
- 6 Remove the squeegee, rinse it with warm water and hang it up to dry.
- 7 Check the maintenance schedule below and perform any required maintenance before storage.

MAINTENANCE SCHEDULE

MAINTENANCE ITEM	Daily	Weekly	Monthly	Yearly
Charge Batteries	X			
Check/Clean Tanks & Hoses (clean recovery tank switches & vacuum inlet screen)	X			
Check/Clean/Rotate the Brushes/Pads	X			
Check/Clean the Squeegee	X			
Clean Hopper on Cylindrical System	X			
Purge the Extended Scrub System(if installed)	X			
Check Each Battery Cell(s) Water Level (does not apply to gel cell batteries)		X		
Inspect Scrub Housing Skirts		X		
Inspect and clean Solution Filter		X		
Clean Solution Manifolds on Cylindrical System		X		
Purge Detergent System (AXP only)		X		
Lubricate the Machine			X	
* Check Carbon Brushes				X

* Have Advance check the vacuum motor carbon motor brushes once a year or after 300 operating hours. The brush and drive motor carbon brushes check every 500 hours or once a year.

NOTE: Refer to the Service Manual for more detail on maintenance and service repairs.

- 8 Store the machine in a clean, dry place.
- 9 Turn the Master Key Switch **(A)** OFF (O) and remove the key.

SERVICING THE VACUUM MOTOR

Have your Advance Dealer check the carbon motor brushes once a year or after 300 operating hours.

IMPORTANT!

Motor damage resulting from failure to service the carbon brushes is not covered under warranty. See the Limited Warranty Statement.

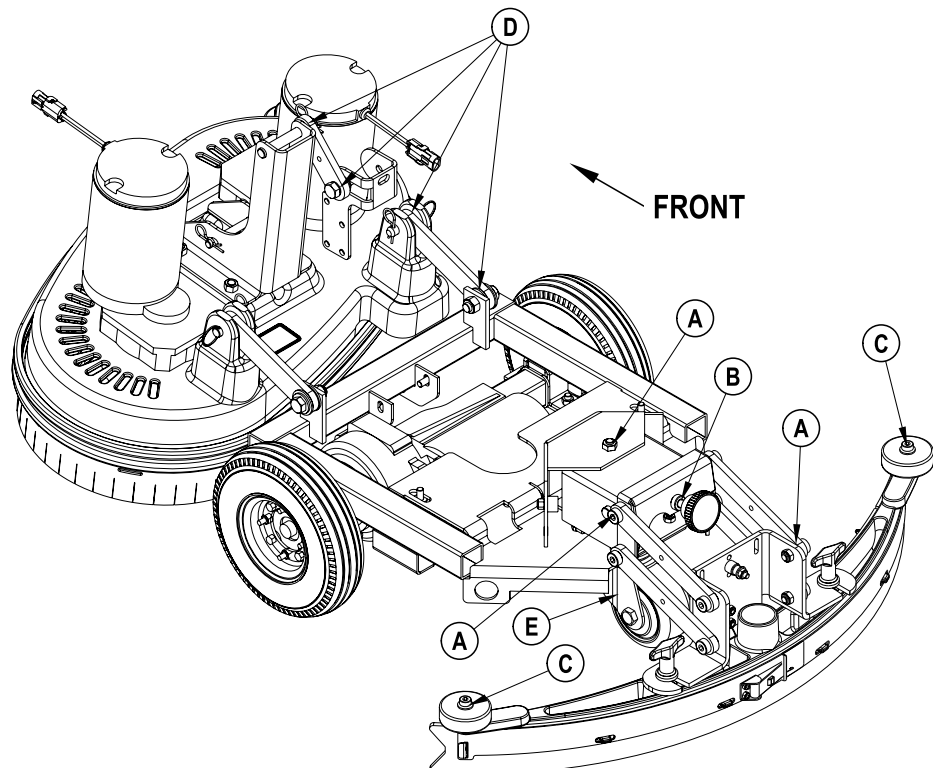
LUBRICATING THE MACHINE

Once a month, apply light machine oil to lubricate the:

- General Pivot Points For the Squeegee Linkage **(A)**.
- Squeegee mount angle adjustment knob threads **(B)**.
- Squeegee Tool end wheels **(C)**.
- General Pivot Points For the Brush Linkage **(D)**.
- Scrub deck bumper wheels.

Once per quarter, Grease the following

- Rear Caster Wheel Swivel **(E)**.



CHARGING WET BATTERIES

Charge the batteries each time the machine is used or when the Battery Indicator (D) is reading less than full.



WARNING!

Do not fill the batteries before charging.

Charge batteries in a well-ventilated area.

Do not smoke while servicing the batteries.

When Servicing Batteries...

- * Remove all jewelry
- * Do not smoke
- * Wear safety glasses, rubber gloves and a rubber apron
- * Work in a well-ventilated area
- * Do not allow tools to touch more than one battery terminal at a time
- * ALWAYS disconnect the negative (ground) cable first when replacing batteries to prevent sparks.
- * ALWAYS connect the negative cable last when installing batteries.

If your machine shipped with an onboard battery charger do the following:

Turn the Key Switch (A) OFF. Unwind the electrical cord from the side of the onboard charger and plug it into a properly grounded outlet. Refer to the OEM product manual for more detailed operating instructions.

If your machine shipped without an onboard battery charger do the following:

Disconnect the batteries from the machine and push the connector from the charger into the Battery Pack Connector (25). Follow the instructions on the battery charger. **SERVICE**

NOTE: Make sure you plug the battery charger into the connector with the handle attached to it.



CAUTION!

To avoid damage to floor surfaces, wipe water and acid from the top of the batteries after charging.

CHECKING THE BATTERY WATER LEVEL

Check the water level of the batteries at least once a week.

After charging the batteries, remove the vent caps and check the water level in each battery cell. Use distilled or demineralized water in a battery filling dispenser (available at most auto parts stores) to fill each cell to the level indicator (or to 10 mm over the top of the separators). **DO NOT** overfill the batteries!



CAUTION!

Acid can spill onto the floor if the batteries are overfilled.

Tighten the vent caps. Wash the tops of the batteries with a solution of baking soda and water (2 tablespoons of baking soda to 1 liter of water).

CHARGING GEL (VRLA) BATTERIES

Charge the batteries each time the machine is used or when the Battery Indicator (D) is reading less than full.



WARNING!

Charge batteries in a well-ventilated area.

Do not smoke while servicing the batteries.

When Servicing Batteries...

- * Remove all jewelry
- * Do not smoke
- * Wear safety glasses, rubber gloves and a rubber apron
- * Work in a well-ventilated area
- * Do not allow tools to touch more than one battery terminal at a time
- * ALWAYS disconnect the negative (ground) cable first when replacing batteries to prevent sparks.
- * ALWAYS connect the negative cable last when installing batteries.



CAUTION!

Your voltage regulated lead acid (VRLA) battery will deliver superior performance and life **ONLY IF IT RECHARGED PROPERLY!** Under or overcharging will shorten battery life and limit performance. Be sure to **FOLLOW PROPER CHARGING INSTRUCTIONS!** **DO NOT ATTEMPT TO OPEN THIS BATTERY!** If a VRLA battery is opened, it loses its pressure and the plates become oxygen contaminated. **THE WARRANTY WILL BE VOIDED IF THE BATTERY IS OPENED.**

If your machine shipped with an onboard battery charger do the following:

Turn the Key Switch (A) OFF. Unwind the electrical cord from the side of the onboard charger and plug it into a properly grounded outlet. Refer to the OEM product manual for more detailed operating instructions.

If your machine shipped without an onboard battery charger do the following:

Disconnect the batteries from the machine and push the connector from the charger into the Battery Pack Connector (25). Follow the instructions on the battery charger. **SERVICE**

NOTE: Make sure you plug the battery charger into the connector with the handle attached to it.

IMPORTANT: Make sure you have an appropriate charger for use on Gel cell batteries. Use only "voltage-regulated" or "voltage-limited" chargers. Standard constant current or taper current chargers MUST NOT be used. A temperature-sensing charger is recommended, as manual adjustments are never accurate and will damage any VRLA battery.

SERVICING THE SQUEEGEE

If the squeegee leaves narrow streaks or water, the blades may be dirty or damaged. Remove the squeegee, rinse it under warm water and inspect the blades. Reverse or replace the blades if they are cut, torn, wavy or worn.

To Reverse or Replace the Rear Squeegee Wiping Blade...

- 1 See Figure 5. Raise the squeegee tool off the floor, and then unsnap the Center Latch (19) on the squeegee tool.
- 2 Remove the Tension Straps (26).
- 3 Slip the rear blade off the Alignment Pins (27).
- 4 The squeegee blade has 4 working edges. Turn the blade so a clean, undamaged edge points toward the front of the machine. Replace the blade if all 4 edges are nicked, torn or worn to a large radius.
- 5 Install the blade, following the steps in reverse order and adjust the squeegee tilt.

To Reverse or Replace the Front Squeegee Blade...

- 1 Raise the squeegee tool off the floor, loosen the (2) Thumb Nuts (20), disconnect the Recovery Hose (28) and remove the Squeegee Assembly (12) from the mount.
- 2 Remove both rear Tension Straps (26) first.
- 3 Remove all the wing nuts that hold the blade in place, then remove the tension strap and blade.
- 4 The squeegee blade has 4 working edges. Turn the blade so a clean, undamaged edge points toward the front of the machine. Replace the blade if all 4 edges are nicked, torn or worn to a large radius.
- 5 Install the blade, following the steps in reverse order and adjust the squeegee tilt.

ADJUSTING THE SQUEEGEE

Adjust the squeegee angle whenever a blade is reversed or replaced, or if the squeegee is not wiping the floor dry.

To Adjust the Squeegee Angle...

- 1 Park the machine on a flat, even surface and lower the squeegee.
- 2 While moving the machine forward slowly, turn the Squeegee Adjustment Knob (21) until the rear squeegee blade folds over evenly across the entire width of the squeegee as shown below.

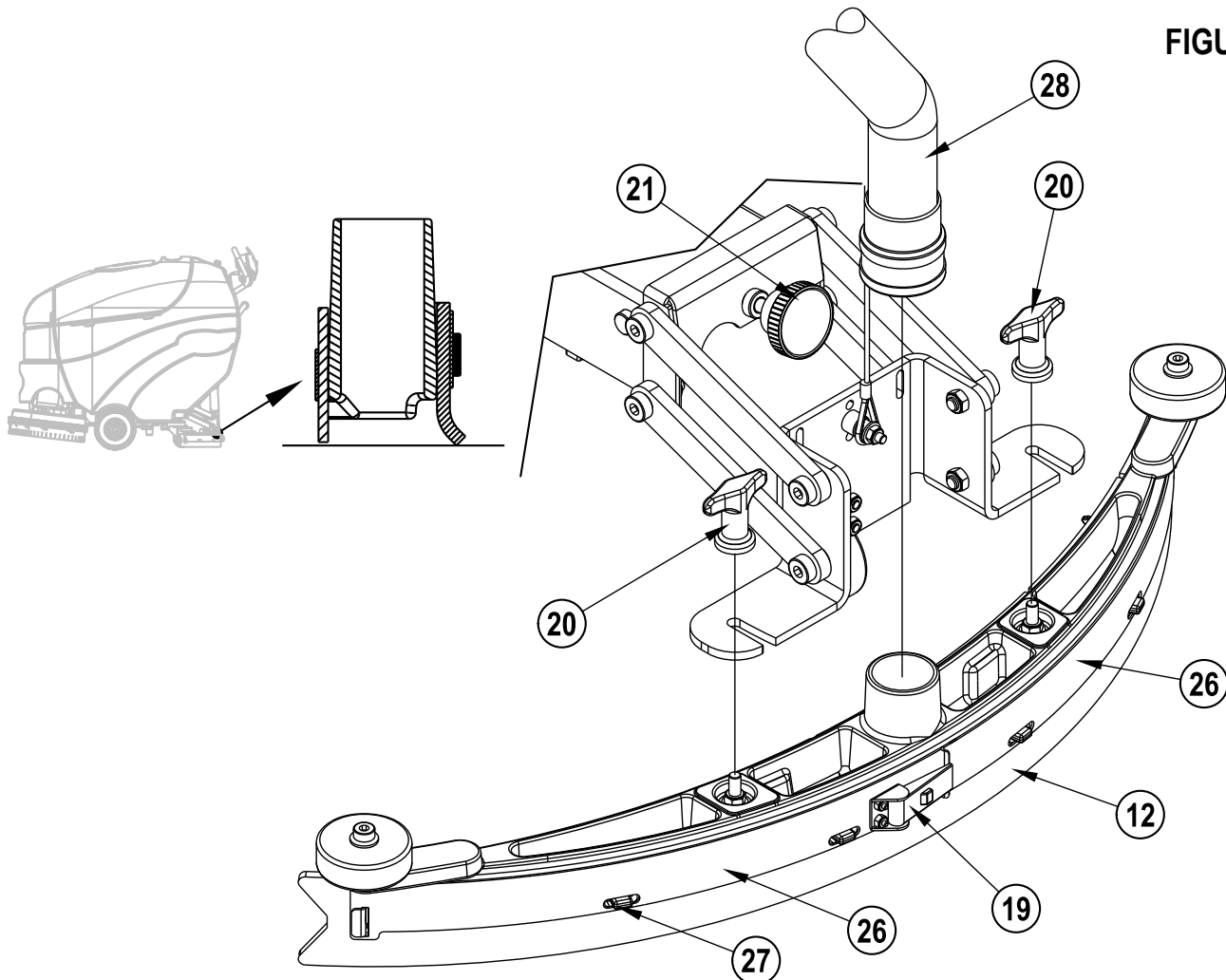


FIGURE 5

SERVICING THE RECOVERY TANK SWITCH(ES)

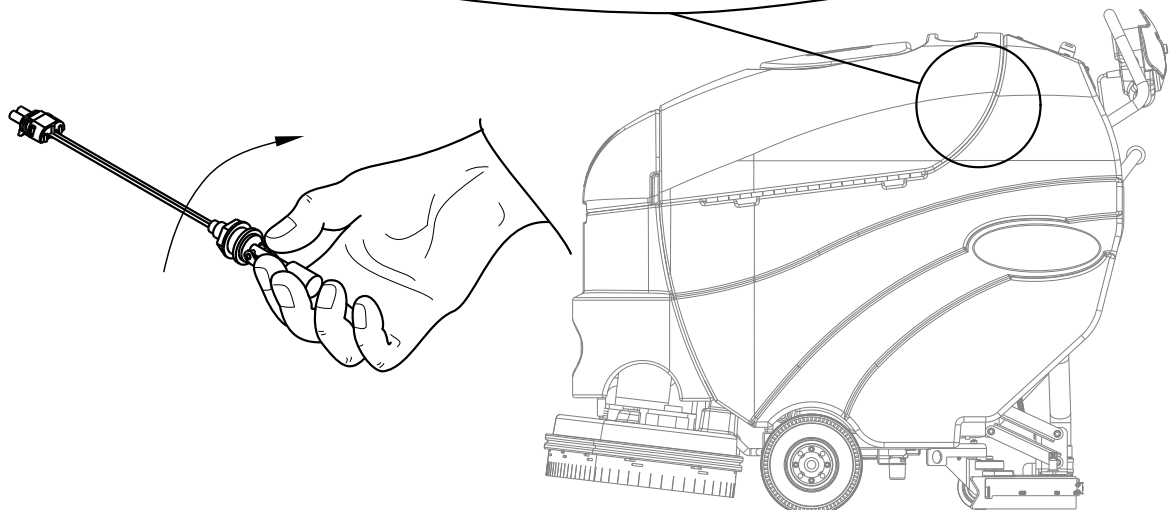
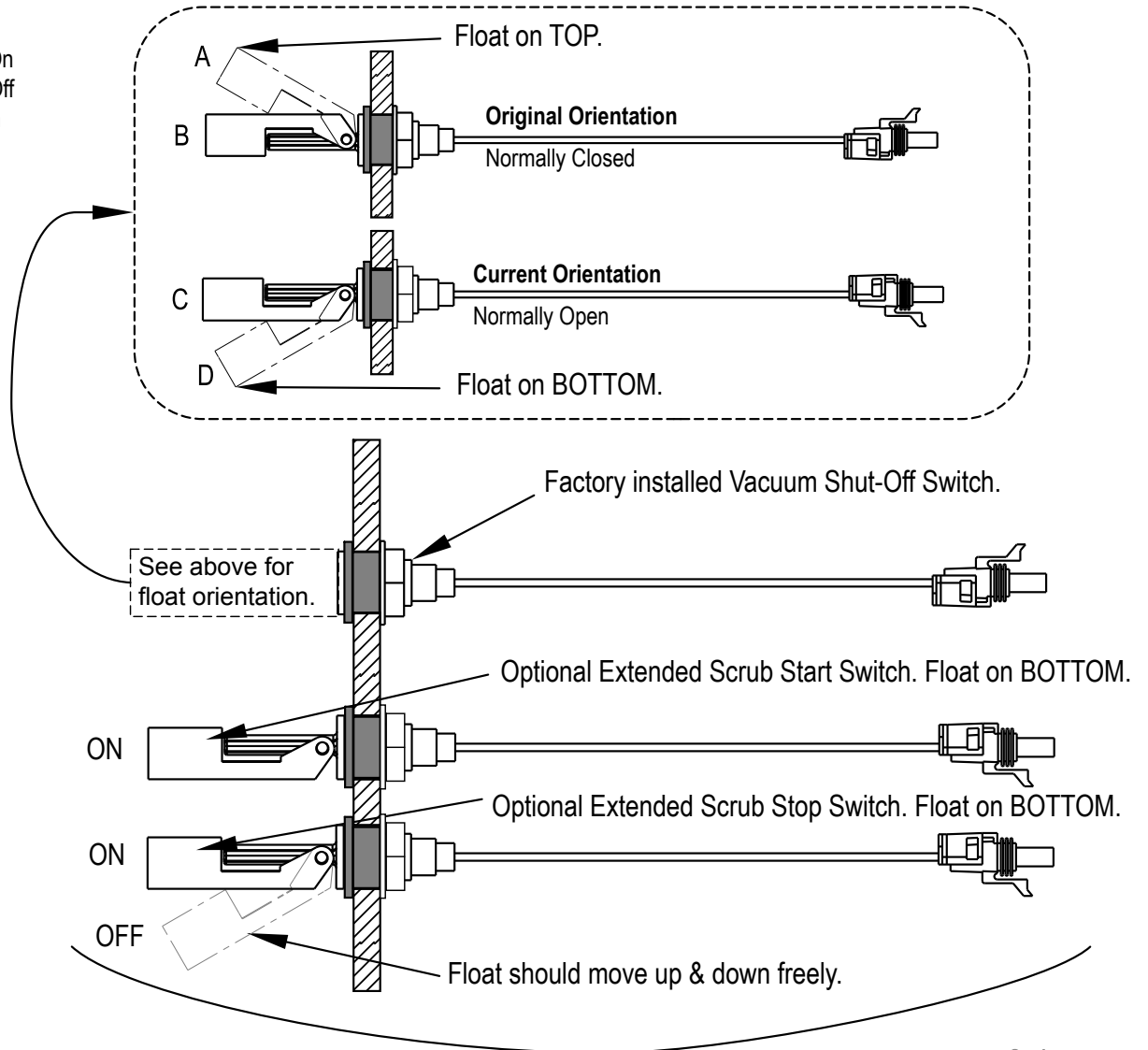
If the recovery tank float switch(es) become dirty it can impair their proper operation. A dirty vacuum shut off switch can cause the vacuum motor to not function at all or to not shut off when the tank is full. Dirty extended scrub system switches can prevent the optional extended scrub system from functioning properly.

If daily rinsing of the recovery tank does not suffice to keep the switches clean you may need to disassemble them for cleaning. It is very important that they be reassembled correctly in order to function. See Figure 6 for the correct orientation of the switch float arms.

Refer to the service manual for detailed disassembly and cleaning instructions.

- A - (Open) Vacuum Off
- B - (Closed) Vacuum On
- C - (Closed) Vacuum Off
- D - (Open) Vacuum On

FIGURE 6



ADJUSTING THE DISK DECK SKIRT HEIGHT

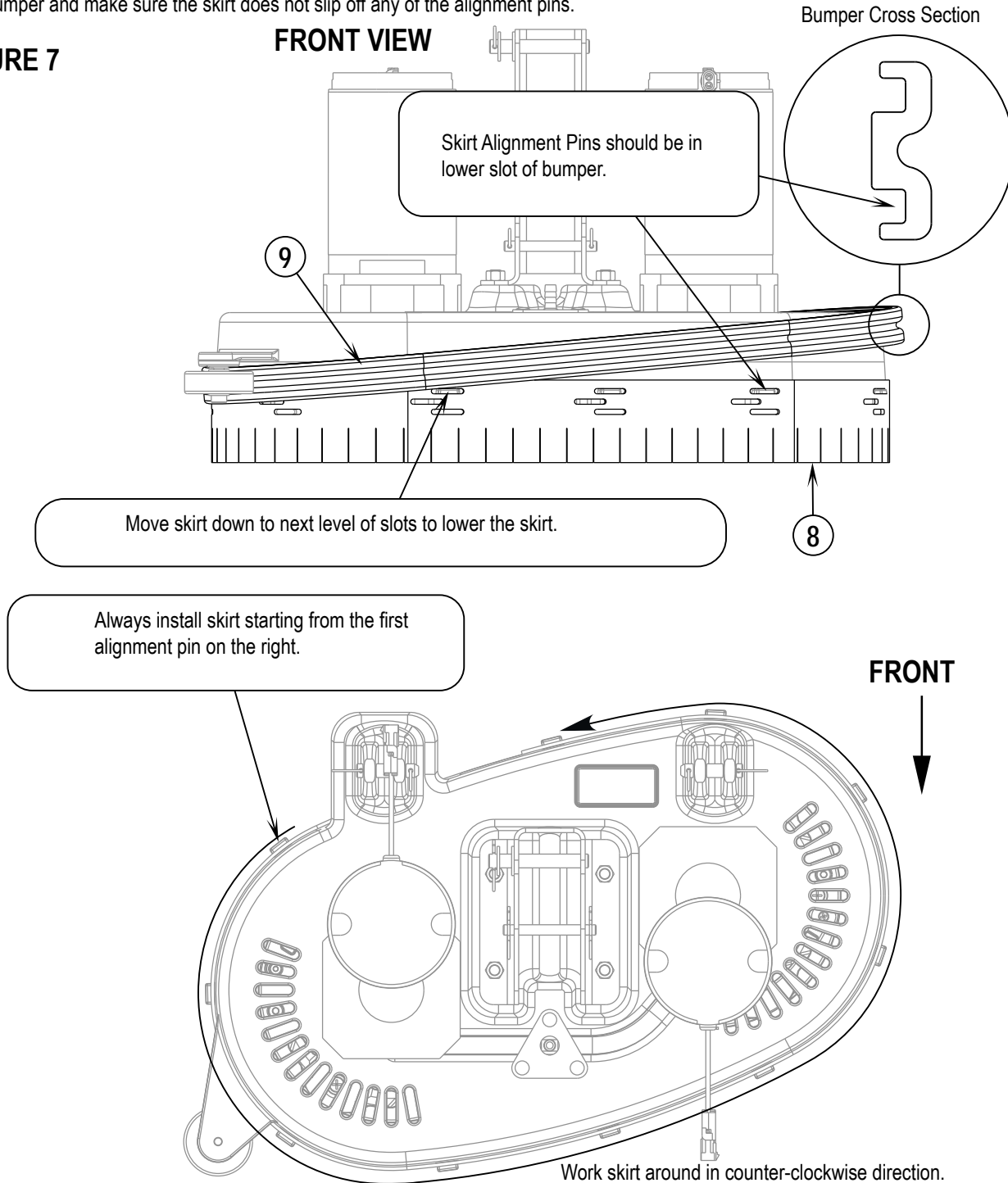
CAUTION!

Turn the Key Switch (A) OFF (O) and remove the key, before changing the brushes, and before opening any access panels. The disk deck skirt height can be adjusted for wear.

To Adjust the Disk Deck Skirt Height...

- 1 Raise the Scrub Deck (7), turn the Key Switch (A) OFF and remove the key from the machine.
- 2 See Figure 7. Pull the Scrub Deck Bumper (9) UP to the top edge of the scrub deck so that it is not holding the skirt in place as shown. **NOTE:** Before removing the Scrub Deck Skirt (8) take note of which one of the 3 different levels of slots the skirt was installed at. Some machines have a large clamp which needs to be loosened and removed prior to removing the bumper.
- 3 To lower the skirt, move it down to the next level of slots as shown. **Service Note:** Install the skirt starting at the first alignment pin on the right as shown and work it around the deck in a counter-clockwise direction until it is on all alignment pins.
- 4 Pull the Bumper (9) back down over the Skirt (8). **NOTE:** Make sure the skirt alignment pins are inserted into the lower inside channel of the bumper and make sure the skirt does not slip off any of the alignment pins.

FIGURE 7



CIRCUIT BREAKER TRIPPING

Circuit breakers protect electrical circuits and motors from damage due to overload conditions. If a circuit breaker trips, turn the Master Key Switch (A) OFF and remove the key. Then try to determine the cause. Once the problem has been corrected, reset the circuit breaker by pushing the button in. If the button does not stay in, wait 5 minutes and try again. If the circuit breaker trips repeatedly, call Advance for service.

Possible cause for the Control Circuit Breaker (18) tripping may be:

- 1 Short circuit in the wiring - have your Advance Service Technician service the machine

Possible causes for the Wheel Drive Circuit Breaker (17) tripping may be:

- 1 Debris wrapped around the drive wheel axle.
- 2 Worn out drive motor bearings.
- 3 Continuous use on ramps.

POOR WATER PICKUP

- 1 Recovery tank full, vacuum shut-off switch activated or dirty
- 2 Blocked vacuum system (squeegee and hoses)
- 3 Disconnected or damaged vacuum hoses
- 4 Incorrectly adjusted squeegee
- 5 Recovery tank cover gasket damaged

SQUEEGEE STREAKS

- 1 Debris under the squeegee blade
- 2 Worn, nicked or torn squeegee blade
- 3 Incorrectly adjusted squeegee

SWIRL MARKS

- 1 Running the machine with dry brushes or pads (no cleaning solution)
- 2 Incorrect brushes or pads for the application
- 3 Debris caught in brushes (or pads)

NO SOLUTION FLOW

- 1 Solution Shut-Off Valve (13) closed.
- 2 Solution Filter (11) clogged.
- 3 Solution pump bad.

SCRUB DECK RAISES WHILE SCRUBBING (CYLINDRICAL)

- 1 Debris caught between brushes and brush housing.
- 2 Bad brush Motor bearing.

NO DETERGENT FLOW (AXP)

- 1 Empty detergent cartridge.
- 2 Plugged or kinked detergent flow line.
- 3 Detergent pump wiring disconnected or wired incorrectly.
- 4 Dry seal cap on detergent cartridge not sealed.

A-22 / ENGLISH

TECHNICAL SPECIFICATIONS (as installed and tested on the unit)

Model		Convertamatic™ 24D-C	Convertamatic™ 26D	Convertamatic™ 28D
		Convertamatic™ X24D-C	Convertamatic™ 26D-C	Convertamatic™ 28D-C
			Convertamatic™ X26D-C	Convertamatic™ X28D-C
Model No.		56315000	56315001	56315002
		56315006	56315008	56315004
			56315009	56315012
Voltage, Batteries	V	24V	24V	24V
Battery Capacity	Ah	238	238	238
Protection Grade		IPX3	IPX3	IPX3
Sound Pressure Level (ISO 11201)	dB(A)	70	70	70
Sound Power Level (ISO 3744)	dB(A)	Lwa 87.6	Lwa 87.6	Lwa 87.6
Gross Weight	lbs. / kg	780 / 354	780 / 354	780 / 354
Vibrations at the Hand Controls (ISO 5349-1)	m/s ²	.23m/s ²	.23m/s ²	.23m/s ²
Gradeability		2% (1°)	2% (1°)	2% (1°)
Model		Convertamatic™ 24C-C	Convertamatic™ 26C-C	Convertamatic™ 28C-C
		Convertamatic™ X24C-C	Convertamatic™ X26C-C	Convertamatic™ X28C-C
Model No.		56315003	56315010	56315005
		56315007	56315011	56315013
Voltage, Batteries	V	24V	24V	24V
Battery Capacity	Ah	238	238	238
Protection Grade		IPX3	IPX3	IPX3
Sound Pressure Level (ISO 11201)	dB(A)	66	66	66
Sound Power Level (ISO 3744)	dB(A)	Lwa 87.6	Lwa 87.6	Lwa 87.6
Gross Weight	lbs. / kg	780 / 354	780 / 354	780 / 354
Vibrations at the Hand Controls (ISO 5349-1)	m/s ²	.23m/s ²	.23m/s ²	.23m/s ²
Gradeability		2% (1°)	2% (1°)	2% (1°)

Model		Convertamatic™ 32D-C
		Convertamatic™ X32D-C
Model No.		56315804
		56315805
Voltage, Batteries	V	24V
Battery Capacity	Ah	238
Protection Grade		IPX3
Sound Pressure Level (ISO 11201)	dB(A)	70
Sound Power Level (ISO 3744)	dB(A)	Lwa 87.6
Gross Weight	lbs. / kg	780 / 354
Vibrations at the Hand Controls (ISO 5349-1)	m/s ²	.23m/s ²
Gradeability		2% (1°)

X = AXP(Chemical Injection) (IE: **Convertamatic™ X24C-C**)

-C = Onboard Charger (IE: **Convertamatic™ 24C-C**)

ÍNDICE

	Página
Introducción.....	B-3
Componentes y servicio	B-3
Placa de identificación.....	B-3
Desembalaje de la máquina.....	B-3
Precauciones y advertencias.....	B-4
Conozca su máquina.....	B-6 - B-7
Panel de control.....	B-8
Preparación de la máquina para su utilización	
Baterías	B-9
Instalación de los cepillos.....	B-10
Llenado del depósito de solución	B-11
Instalación de la boquilla	B-11
Sistema de detergente (AXP™)	B-12 - B-13
Manejo de la máquina	
Fregado en húmedo	B-14 – B-15
Aspiración en húmedo.....	B-14 - B-15
Después de la utilización de la máquina	B-16
Programa de mantenimiento	B-16
Mantenimiento del motor de aspiración.....	B-16
Lubricación de la máquina.....	B-16
Mantenimiento	
Recarga de las baterías (líquido)	B-17
Recarga de las baterías (gel)	B-17
Mantenimiento de la boquilla.....	B-18
Ajuste de la boquilla	B-18
Mantenimiento de los interruptores del depósito de recuperación	B-19
Ajuste de la altura del zócalo de la plataforma de disco	B-20
Localización de averías	
Disparo de los disyuntores del circuito.....	B-21
Mala recogida del agua	B-21
Estrías de la boquilla	B-21
Marcas de giro.....	B-21
No hay flujo de la solución.....	B-21
La plataforma de limpieza se eleva durante el fregado (cilíndrica).....	B-21
Especificaciones técnicas.....	B-22

INTRODUCCIÓN

Este manual le ayudará a obtener el máximo rendimiento de su limpiadora/secadora automática **Advance™**. Léalo con atención antes de utilizar la máquina.

Nota: Los números que aparecen en negrita entre paréntesis indican elementos ilustrados en las páginas 6-8, a menos que se indique lo contrario.

Este producto está destinado exclusivamente a uso comercial.

COMPONENTES Y SERVICIO

Las reparaciones, cuando sean necesarias, deben ser realizadas por su Centro Autorizado de Servicio Advance que utiliza personal de servicio formado en fábrica y lleva un inventario de piezas de repuesto y accesorios Advance originales.

Llame a Advance para lo referente a piezas de repuesto y servicio. Por favor, especifique el Modelo y Número de Serie cuando hable de su máquina.

(Distribuidor, coloque aquí la pegatina de su servicio.)

PLACA DE IDENTIFICACIÓN

El Número de Modelo y de Serie de la máquina se indican en la placa de identificación instalada en el compartimento de las baterías. Esta información es necesaria a la hora de solicitar repuestos para la máquina. Utilice el siguiente espacio para anotar el Modelo y el Número de Serie de su máquina para futuras consultas.

Modelo _____

Número de Serie _____

DESEMBALAJE DE LA MÁQUINA

Cuando reciba la máquina, examine con atención el cartón de embalaje y la máquina, con el fin de comprobar si existe algún daño. Si observa algún daño, guarde la caja de embalaje para que se pueda inspeccionar. Póngase en contacto inmediatamente con el Departamento de Servicio al Cliente de Advance para presentar una reclamación por daños en transporte.

Después de retirar la caja, corte las correas de plástico y retire los bloques de madera que están al lado de las ruedas. **Utilice una rampa para bajar la máquina rodando de la paleta al suelo.**

PRECAUCIONES Y ADVERTENCIAS

SÍMBOLOS

Advance utiliza los símbolos que aparecen a continuación para indicar situaciones potencialmente peligrosas. Lea cuidadosamente esta información y emprenda las acciones que resulten necesarias para proteger a personas y objetos.

¡PELIGRO!

Se utiliza para advertir de peligros inmediatos que pueden producir graves daños personales o la muerte.

¡ADVERTENCIA!

Se utiliza para llamar la atención sobre una situación que puede causar graves daños personales.

¡PRECAUCIÓN!

Se utiliza para llamar la atención sobre una situación que puede causar daños personales leves o daños a la máquina u otros objetos.



Lea todas y cada una de las instrucciones antes de utilizar el aparato.

INSTRUCCIONES GENERALES DE SEGURIDAD

Se incluyen Precauciones y Advertencias específicas que le advierten de los posibles riesgos de daño a la máquina o daño corporal.

¡ADVERTENCIA!

- * Sólo deben utilizar esta máquina las personas autorizadas y con la formación adecuada.
- * Si se encuentra sobre una rampa o inclinación, evite las paradas bruscas cuando lleve carga. No tome las curvas bruscamente. Utilice una velocidad lenta si va cuesta abajo. Limpie sólo yendo cuesta arriba.
- * Mantenga las chispas, llamas y materiales de fumadores alejados de las baterías. Durante el funcionamiento normal se desprenden gases explosivos.
- * Al recargar las baterías se produce gas de hidrógeno altamente explosivo. Recargue las baterías exclusivamente en zonas bien ventiladas, lejos de llamas sin proteger. No fume mientras recarga las baterías.
- * Qítense todas las joyas cuando trabaje cerca de componentes eléctricos.
- * Ponga el conmutador en posición de apagado (O) y desconecte las baterías antes de revisar los componentes eléctricos.
- * No trabaje nunca debajo de la máquina sin colocar antes bloques o soportes de seguridad en los que apoyar la máquina.
- * No aplique sustancias limpiadoras inflamables ni utilice la máquina sobre estas sustancias, cerca de ellas, ni en zonas en las que haya líquidos inflamables.
- * No lave la máquina con una limpiadora a presión.
- * No haga funcionar esta máquina en rampas o en pendientes superiores al 2 por ciento.
- * Use solamente los cepillos suministrados junto con el aparato o aquellos especificados en el manual de instrucciones. El uso de otros cepillos puede afectar a la seguridad.

¡PRECAUCIÓN!

- * Esta máquina no ha sido aprobada para su uso en vías públicas.
- * Esta máquina no es apta para la recogida de polvo peligroso.
- * Tenga cuidado cuando utilice discos de escarificación y piedras abrasivas. No se podrá responsabilizar a Advance de daño alguno a las superficies de los suelos causado por escarificadores o piedras abrasivas.
- * Cuando utilice la máquina, asegúrese de que no existe peligro para terceras personas, especialmente niños.
- * Antes de proceder a cualquier función de servicio, lea con atención todas las instrucciones relativas a dicha función.
- * No deje la máquina sin vigilancia sin antes haber puesto el conmutador en posición de apagado (O), haber quitado la llave y haber aplicado el freno de estacionamiento.
- * Apague el conmutador de llave (O) y quite la llave antes de cambiar los cepillos y antes de abrir cualquiera de los paneles de acceso.
- * Tome las debidas precauciones para evitar que el pelo, las joyas o las prendas sueltas queden atrapados entre los componentes móviles.
- * Tome las precauciones adecuadas cuando esté moviendo esta máquina mientras hiela. El agua de la solución, los depósitos de recuperación o detergente y de las tuberías puede congelarse, causando daños a las válvulas y accesorios. Limpie con limpiaparabrisas.
- * Retire las baterías de la máquina antes de su desguace. Las baterías deben desecharse de forma segura, de acuerdo con la reglamentación medioambiental local.
- * No utilice la máquina en superficies con pendientes superiores a las indicadas en la máquina.
- * Antes de utilizar la máquina, todas las puertas y cubiertas deberían estar colocadas como se indica en el manual de instrucciones.
- * Consulte el manual del producto OEM del cargador de batería para obtener advertencias adicionales sobre el cargador de batería específico.

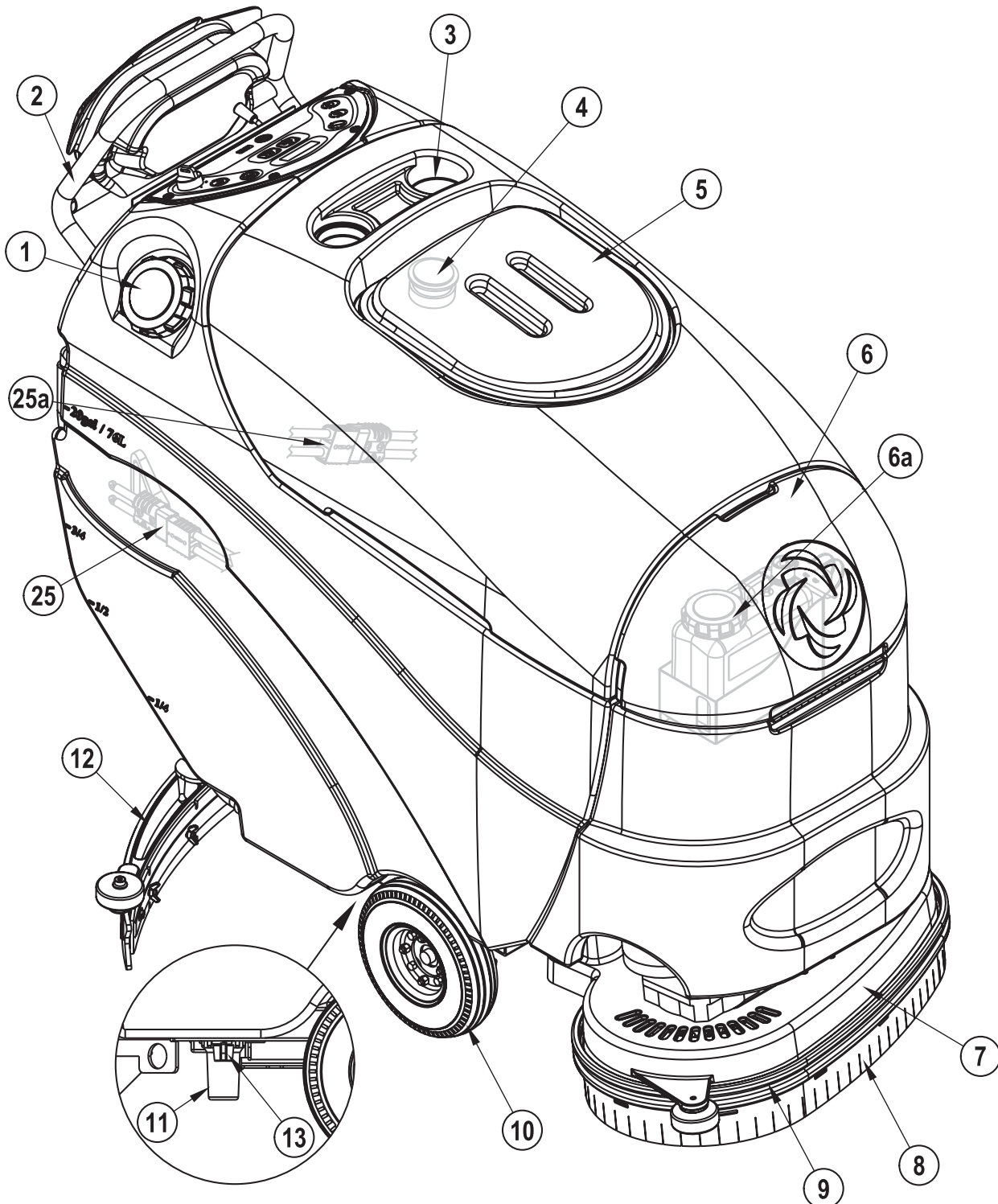
GUARDE ESTAS INSTRUCCIONES

CONOZCA SU MÁQUINA

A lo largo de este manual encontrará números o letras en negrita entre paréntesis – por ejemplo: **(2)**. Estos números se refieren a un objeto que se muestra en dicha página, a menos que se indique lo contrario. Consulte esta página siempre que sea necesario para encontrar la localización de un objeto mencionado en el texto. **NOTA:** Consulte el manual de servicio para obtener explicaciones más detalladas de cada objeto ilustrado en las siguientes 3 páginas.

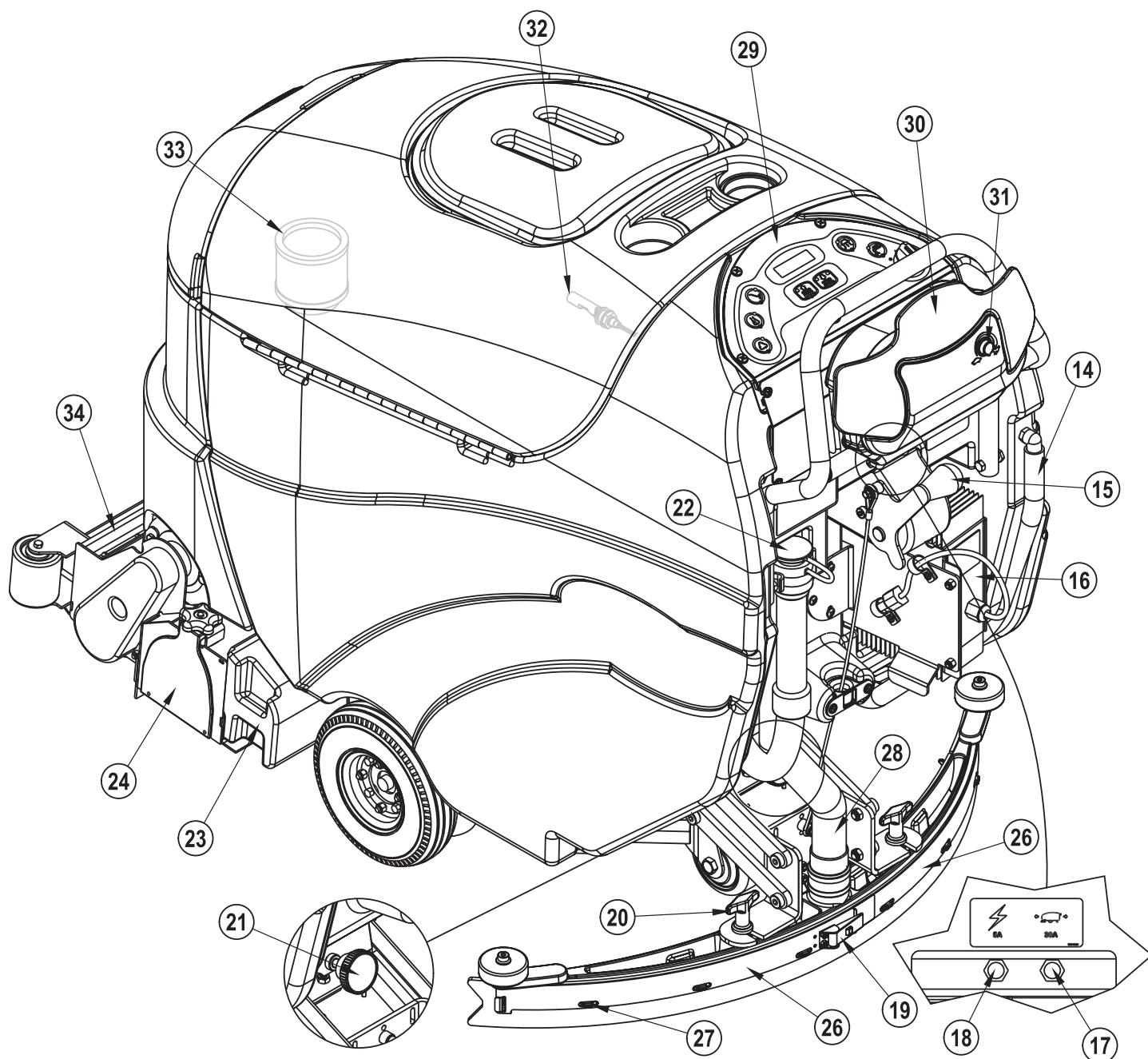
- 1 Llenado del depósito de solución
- 2 Manilla de control del operario
- 3 Portabotellas
- 4 Criba de entrada del motor de aspiración
- 5 Tapa del depósito de recuperación
- 6 Cubierta de acceso al cartucho de detergente (AXP)

- 6a Cartucho (sólo modelos AXP) de detergente (AXP)
- 7 Plataforma de limpieza
- 8 Zócalo de la plataforma de limpieza
- 9 Parachoques de la plataforma de limpieza
- 10 Rueda motriz
- 11 Filtro de la solución
- 12 Conjunto de boquilla
- 13 Válvula de cierre de la solución



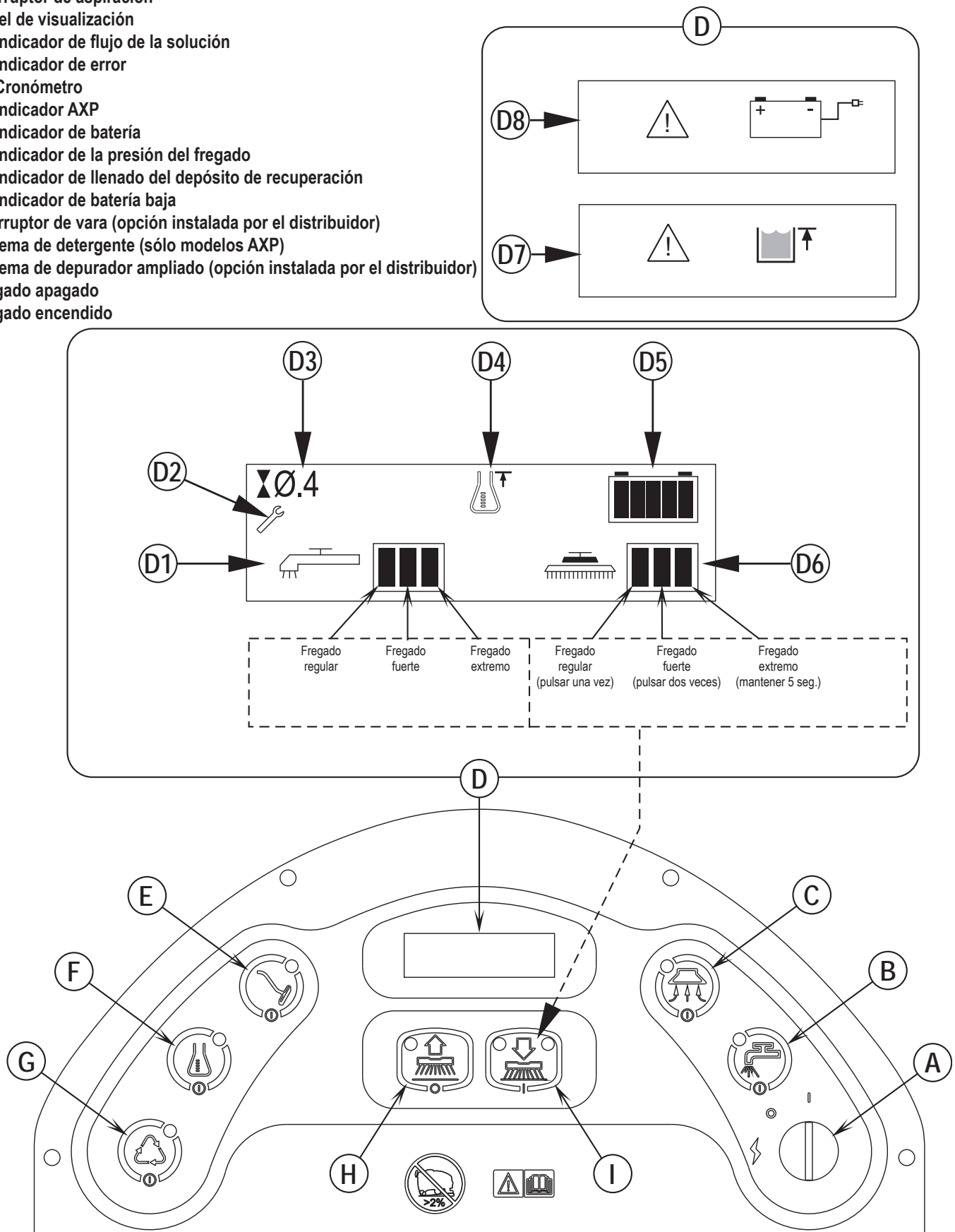
CONOZCA SU MÁQUINA

- | | | | |
|----|---|-----|---|
| 14 | Tubería de drenaje de la solución / Indicador de nivel | 25a | Conector del conjunto de baterías (sólo modelos con cargador a bordo) |
| 15 | Palanca de elevación/descenso de la boquilla | 26 | Correa de tensión de la cuchilla de la boquilla |
| 16 | Cargador de batería a bordo (no se encuentra en todos los modelos) | 27 | Pasadores de alineación de la cuchilla de la boquilla |
| 17 | Disyuntor del motor de la tracción de rueda | 28 | Tubería de recuperación |
| 18 | Disyuntor del circuito de control | 29 | Panel de control |
| 19 | Pestillo de la cuchilla de la boquilla | 30 | Paleta de tracción |
| 20 | Tuerca de palomilla de montaje de la boquilla | 31 | Botón de control del límite de velocidad |
| 21 | Botón de ajuste de la boquilla | 32 | Interruptor de apagado de la aspiración |
| 22 | Tubería de drenaje del depósito de recuperación | 33 | Filtro de depurador ampliado (opcional) |
| 23 | Tolva de residuos (sólo modelos cilíndricos) | 34 | Colector de la solución (sólo modelos cilíndricos) |
| 24 | Conjunto en vacío (sólo modelos cilíndricos) | | |
| 25 | Conector del conjunto de baterías (sólo modelos sin cargador a bordo) | | |



PANEL DE CONTROL

- A Conmutador de llave (principal)
- B Conmutador de la solución
- C Interruptor de aspiración
- D Panel de visualización
- D1 Indicador de flujo de la solución
- D2 Indicador de error
- D3 Cronómetro
- D4 Indicador AXP
- D5 Indicador de batería
- D6 Indicador de la presión del fregado
- D7 Indicador de llenado del depósito de recuperación
- D8 Indicador de batería baja
- E Interruptor de vara (opción instalada por el distribuidor)
- F Sistema de detergente (sólo modelos AXP)
- G Sistema de depurador ampliado (opción instalada por el distribuidor)
- H Fregado apagado
- I Fregado encendido



BATERÍAS

Si su máquina se entrega con baterías instaladas, realice lo siguiente:

- Compruebe que las baterías estén conectadas a la máquina (25 / 25a).
- Encienda el conmutador de llave (A) y compruebe el indicador de batería (D5). Si el indicador está completamente lleno, las baterías están listas para el uso. Si el indicador no está lleno, las baterías deberían cargarse antes de la utilización. Consulte la sección "Recarga de las baterías".
- **¡IMPORTANTE!: SI SU MÁQUINA ESTÁ EQUIPADA CON UN CARGADOR DE BATERÍA A BORDO, CONSULTE EL MANUAL DEL PRODUCTO OEM PARA OBTENER INSTRUCCIONES SOBRE EL AJUSTE DEL CARGADOR PARA EL TIPO DE BATERÍA.**

Consulte TSBUS2007-979 para ver cuáles son los últimos algoritmos del cargador de baterías.

Si su máquina se entrega sin baterías instaladas, realice lo siguiente:

- Consulte con su distribuidor autorizado Advance en cuanto a las baterías recomendadas.
- Instale las baterías siguiendo las instrucciones indicadas a continuación.
- **NO instale dos baterías de 12 voltios en su máquina. Esto afectará a la estabilidad de la máquina.**
- **¡IMPORTANTE!: SI SU MÁQUINA ESTÁ EQUIPADA CON UN CARGADOR DE BATERÍA A BORDO, CONSULTE EL MANUAL DEL PRODUCTO OEM PARA OBTENER INSTRUCCIONES SOBRE EL AJUSTE DEL CARGADOR PARA EL TIPO DE BATERÍA.**

Consulte TSBUS2007-979 para ver cuáles son los últimos algoritmos del cargador de baterías.



¡ADVERTENCIA!

Tome las máximas precauciones cuando trabaje con las baterías. El ácido sulfúrico de las baterías puede causar daños graves si entra en contacto con la piel o con los ojos. Desde el interior de las baterías se libera gas explosivo de hidrógeno a través de unas aperturas en las tapas de las baterías. Este gas puede incendiarse con cualquier arco eléctrico, chispa o llama. No instale baterías de plomo-ácido en un contenedor cerrado. El gas de hidrógeno debido a la sobrecarga debe poder liberarse.

Cuando revise las baterías...

- * Quitese todas las joyas
- * No fume
- * Lleve gafas de seguridad, un delantal de goma y guantes de goma
- * Trabaje en una zona bien ventilada
- * No permita que las herramientas toquen simultáneamente más de un terminal de batería
- * Al sustituir las baterías, desconecte SIEMPRE en primer lugar el cable (de tierra) negativo para evitar chispas.
- * Al instalar las baterías, conecte SIEMPRE el cable negativo al final.

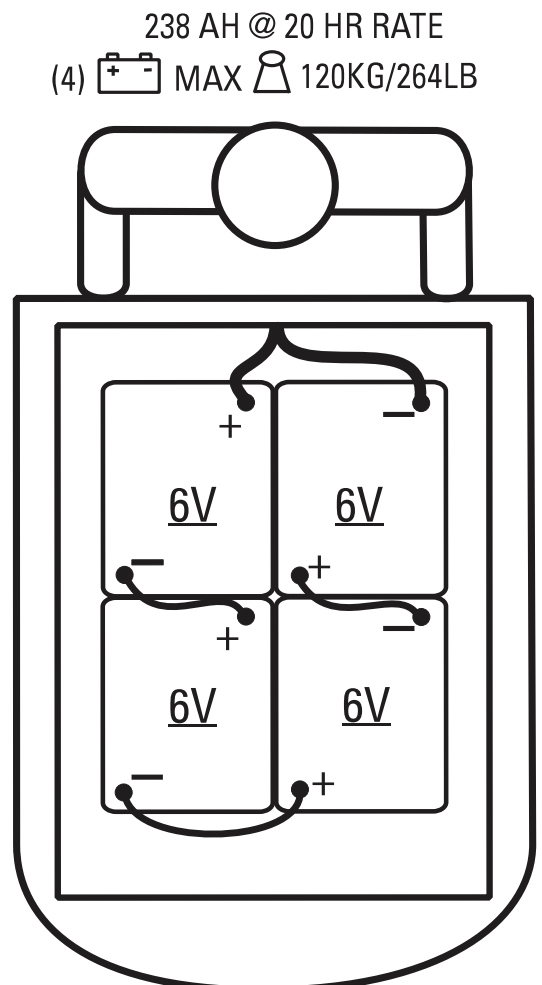


¡PRECAUCIÓN!

Los componentes eléctricos de esta máquina pueden dañarse seriamente si las baterías no están instaladas o conectadas correctamente. Las baterías deben ser instaladas por Advance, un electricista cualificado o el fabricante de las baterías.

- 1 Retire las baterías de su caja de embalaje e inspecciónelas para ver si existen grietas u otros daños. Si los daños son evidentes, póngase en contacto inmediatamente con el transportista que se las entregó para presentar una reclamación por daños en transporte.
- 2 Apague el conmutador principal de llave (A) y quite la llave.
- 3 Incline el depósito de recuperación hacia la posición lateral cerrada. Retire los cables de la batería del interior del compartimento de las baterías.
- 4 Su máquina viene de fábrica con suficientes cables para instalar cuatro baterías de 6 voltios. Levante las baterías con cuidado para meterlas en el compartimento de las baterías y colóquelas exactamente como se muestra en la FIGURA 1. Ponga las baterías tan cerca de la parte trasera de la máquina como pueda.
- 5 Instale los cables de las baterías como se muestra. Ponga los cables de forma que las cubiertas de las baterías puedan retirarse fácilmente para el mantenimiento de las baterías.
- 6 Apriete con cuidado las tuercas de los terminales de las baterías hasta que el terminal no gire. No apriete demasiado los terminales; de lo contrario será muy difícil retirarlos en futuras operaciones de mantenimiento.
- 7 Bañe los terminales con revestimiento para terminales de baterías en pulverizador (disponible en la mayoría de las tiendas de material para coches).
- 8 Ponga un manguito de goma negro encima de cada terminal y conecte el conector del conjunto de las baterías (25 / 25a).

FIGURA 1



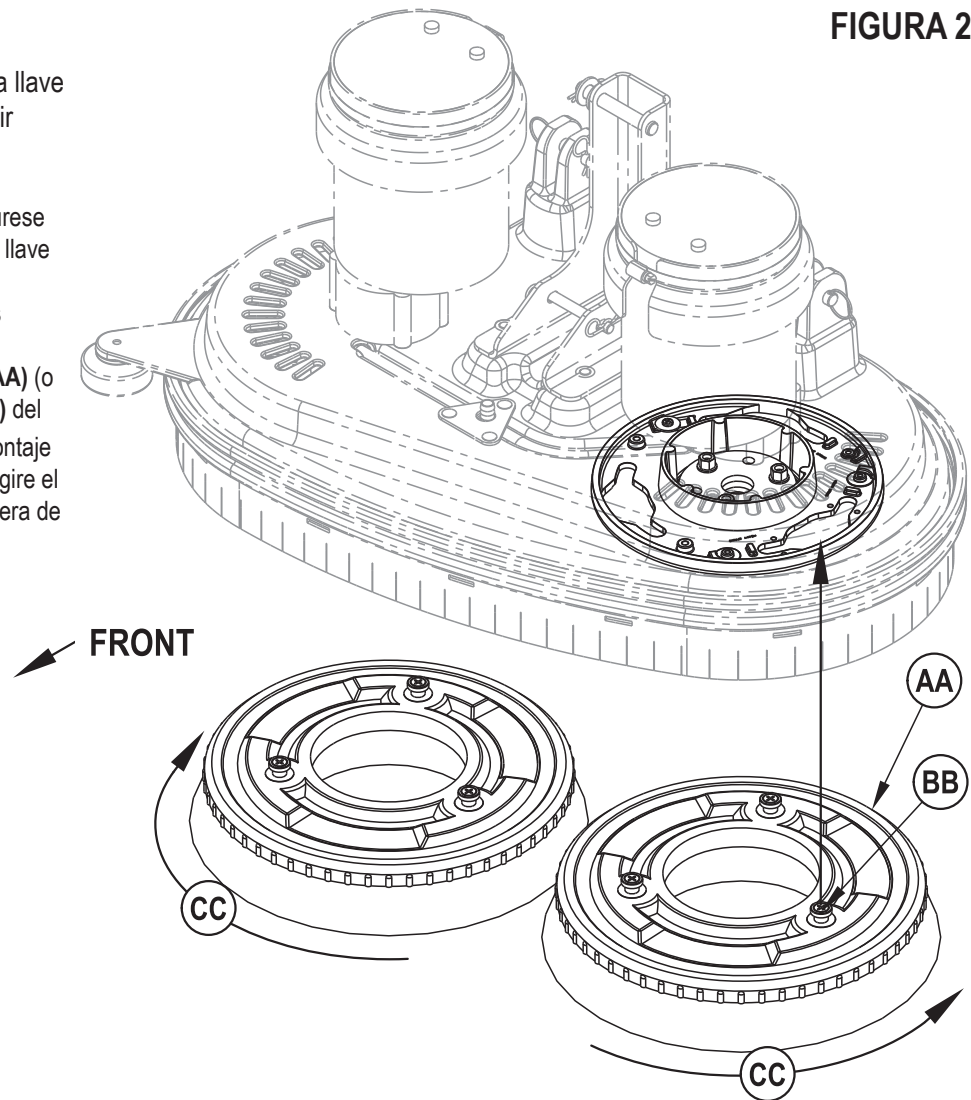
INSTALACIÓN DE LOS CEPILLOS (SISTEMA DE DISCO)

⚠ ¡PRECAUCIÓN!

Apague el conmutador de llave (O) y quite la llave antes de cambiar los cepillos y antes de abrir cualquiera de los paneles de acceso.

- 1 Asegúrese de que el portacepillos (7) se encuentre en la posición ELEVADA. Asegúrese de que está apagado (O) el conmutador de llave (A).
- 2 Si utiliza bayetas, instale las bayetas en los portabayetas
- 3 **Ver la Figura 2.** Para montar los cepillos (AA) (o los portabayetas), alinee las lengüetas (BB) del cepillo con las ranuras de la bandeja de montaje y gire para que se bloquee en su posición (gire el borde exterior del cepillo hacia la parte trasera de la máquina como se muestra (CC)).

FIGURA 2



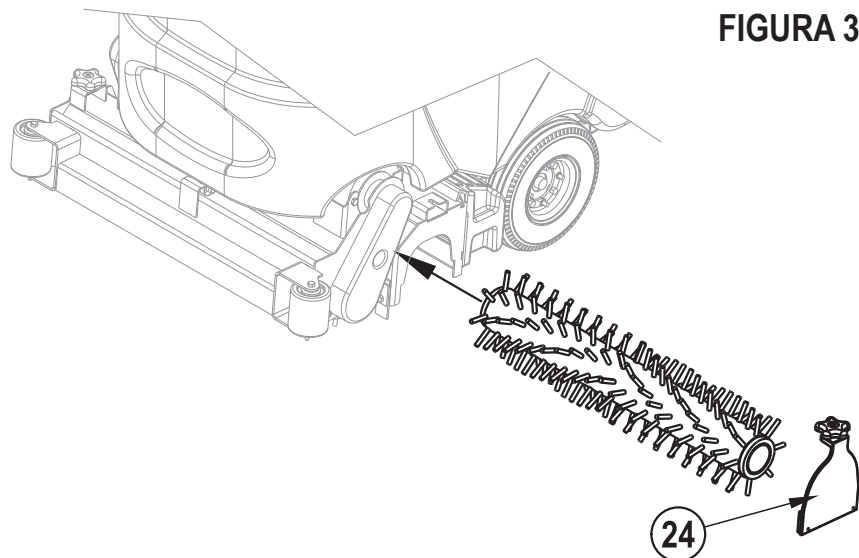
INSTALACIÓN DE LOS CEPILLOS (SISTEMA CILÍNDRICO)

⚠ ¡PRECAUCIÓN!

Apague el conmutador de llave (O) y quite la llave antes de cambiar los cepillos y antes de abrir cualquiera de los paneles de acceso.

- 1 Asegúrese de que el portacepillos se encuentre en la posición ELEVADA. Asegúrese de que está apagado (O) el conmutador de llave (A).
- 2 **Ver la Figura 3.** -Para acceder a los cepillos, afloje los botones negros (uno a cada lado) que están en la parte superior de los conjuntos en vacío (24) y retire los conjuntos. Deslice el cepillo en el contenedor, levante ligeramente, empuje y gire hasta que se asiente. Vuelva a instalar los conjuntos en vacío.

FIGURA 3



LLENADO DEL DEPÓSITO DE SOLUCIÓN

Llene el depósito de solución con 20 galones (76 Litros) de solución limpiadora como máximo. No llene el depósito de solución por encima de 7,5 cm (3 pulgadas) de la parte inferior del depósito (1). La solución debe ser una mezcla de agua y el limpiador químico apropiado para la aplicación. Siga siempre las instrucciones que aparecen en la etiqueta del envase del producto químico. **NOTA:** Las máquinas AXP pueden utilizarse normalmente con detergente mezclado en el depósito o con el sistema de aplicación de detergente AXP. Al utilizar el sistema de aplicación de detergente AXP, no mezcle detergente en el depósito; utilice agua.

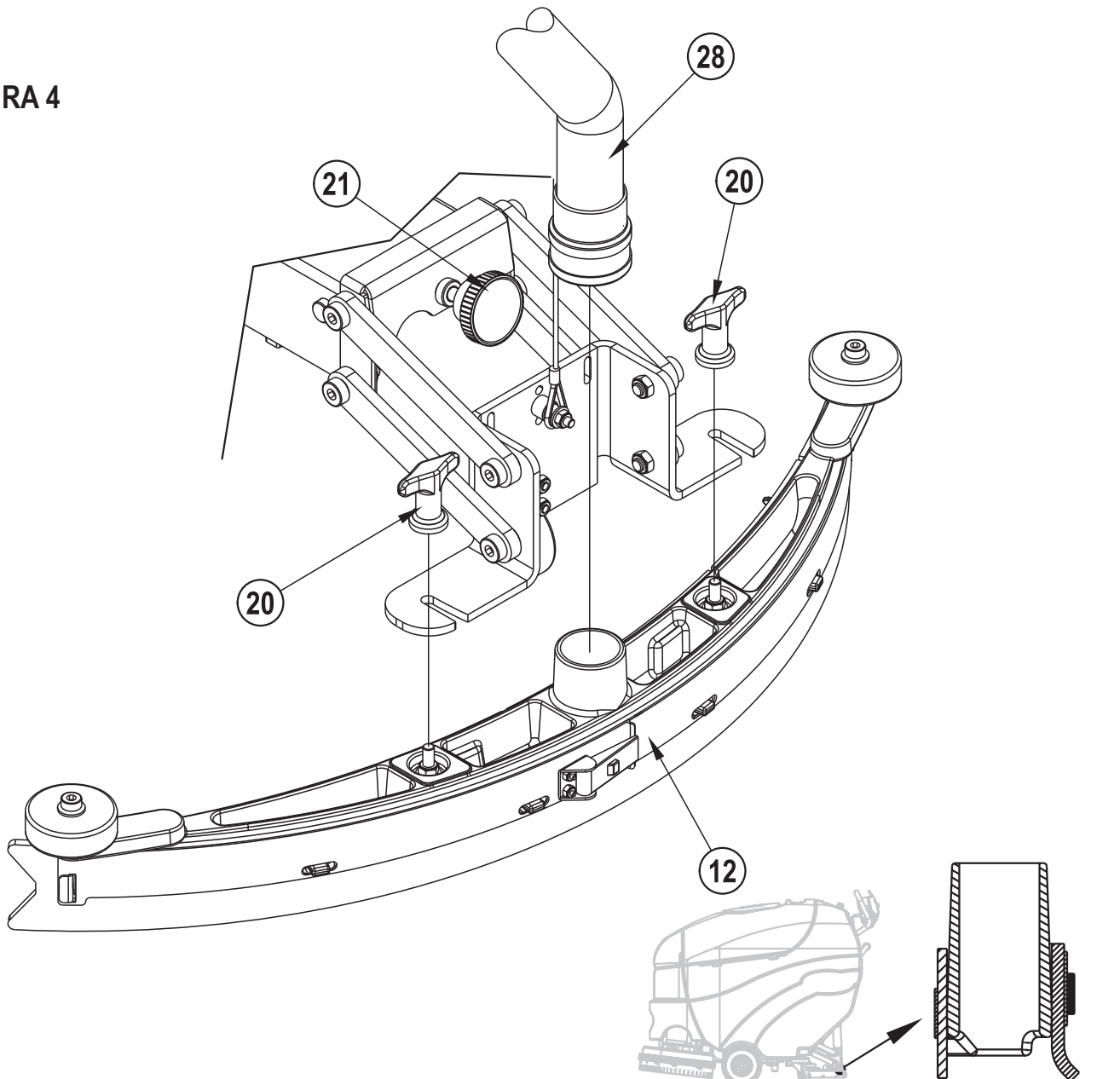
¡PRECAUCIÓN!

Utilice únicamente detergentes líquidos no inflamables de bajo poder espumante que estén diseñados para aplicaciones de fregado automático. La temperatura del agua no deberá superar los 130 grados Fahrenheit (54,4 grados Celsius)

INSTALACIÓN DE LA BOQUILLA

- 1 Ver la Figura 4. Deslice en conjunto de la boquilla (12) sobre la abrazadera de montaje de la boquilla y apriete las tuercas de palomilla de montaje de la boquilla (20).
- 2 Conecte la tubería de recuperación (28) a la entrada de la boquilla.
- 3 Baje la boquilla, desplace la máquina hacia delante y ajuste la inclinación de la boquilla utilizando el botón de ajuste de la boquilla (21), de modo que la cuchilla de la boquilla trasera toque el suelo homogéneamente en toda la anchura y se doble ligeramente como se muestra.

FIGURA 4



REPARACIÓN Y USO DEL SISTEMA DE DETERGENTE (AXP)

INSTRUCCIONES COMUNES:

Elimine del sistema el detergente anteriormente utilizado antes de cambiar a un detergente diferente.

NOTA DE SERVICIO: Desplace la máquina sobre un punto de drenaje en el suelo antes de eliminar el detergente porque saldrá una pequeña cantidad durante el proceso.

Purgar al cambiar productos químicos:

- 1 Desconecte y retire el cartucho de detergente.
- 2 Encienda el conmutador de llave (A) y mantenga pulsado el conmutador de detergente (F) y el conmutador de la solución (B) durante al menos 2 segundos. **NOTA:** Una vez activado, el proceso de purga lleva 10 segundos. Consulte los indicadores del sistema de detergente en la ilustración de la página siguiente. Por lo general, un ciclo de purga es adecuado para purgar el sistema.

Purgar semanalmente:

- 1 Desconecte y retire el cartucho de detergente. Instale y conecte un cartucho lleno de agua limpia
- 2 Encienda el conmutador de llave (A) y mantenga pulsado el conmutador de detergente (F) y el conmutador de la solución (B) durante al menos 2 segundos. **NOTA:** Una vez activado, el proceso de purga lleva 10 segundos. Consulte los indicadores del sistema de detergente en la ilustración de la página siguiente. Por lo general, un ciclo de purga es adecuado para purgar el sistema.

Cuando el cartucho de detergente esté casi vacío se encenderá un indicador del panel de visualización (D). Este indicador de "detergente bajo" permanecerá encendido hasta que reinicie el sistema. Cuando se encienda este indicador, sólo tiene que verter una botella completa de un galón (3,7 litros) de detergente en el cartucho para rellenarlo sin preocuparse de las medidas. **NOTA:** Reinicie el sistema sólo cuando el cartucho esté lleno. Al cambiar de cartuchos, el indicador de "detergente bajo" sólo es exacto si el cartucho de sustitución está al mismo nivel que el cartucho sustituido.

Para reiniciar:

- 1 Encienda el conmutador de llave (A) y mantenga pulsado el conmutador de detergente (F) durante 2 segundos. Consulte los indicadores del sistema de detergente en la ilustración de la página siguiente.

INSTRUCCIONES ESPECÍFICAS DEL CARTUCHO NO RELLENABLE:

Retire la tapa (AA) y coloque el cartucho en la caja de detergente. Instale la tapa sellada (BB) como se muestra.

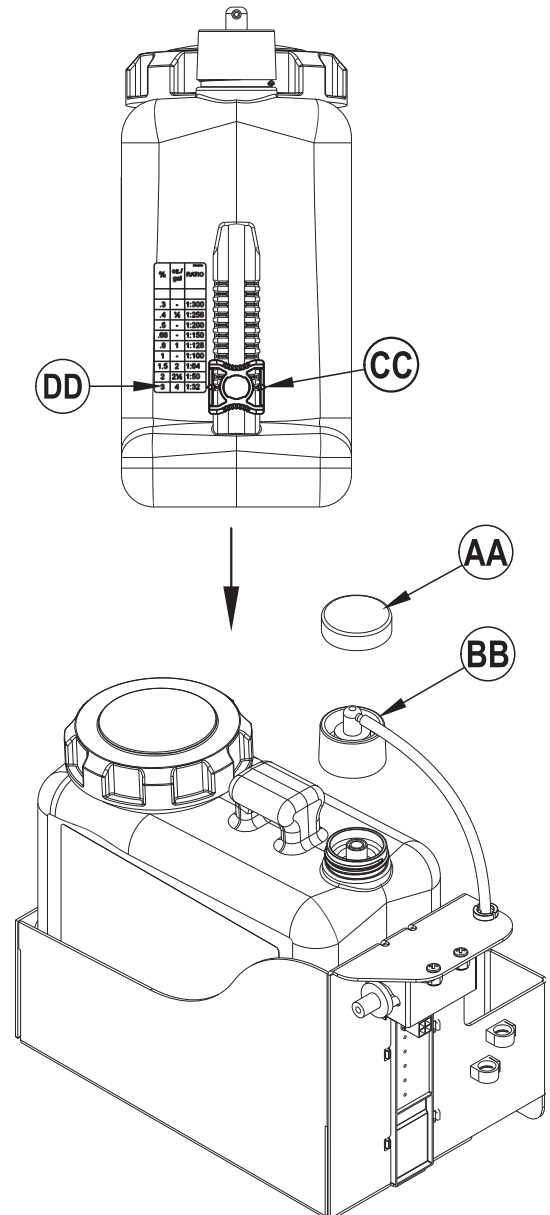
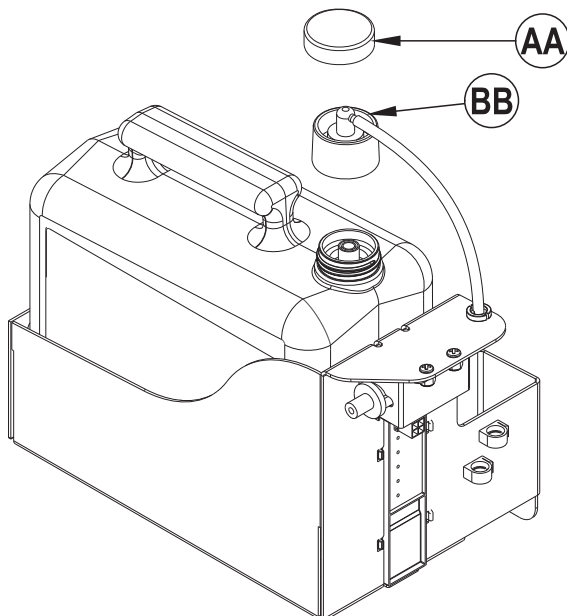
INSTRUCCIONES ESPECÍFICAS DEL CARTUCHO

RELLENABLE:

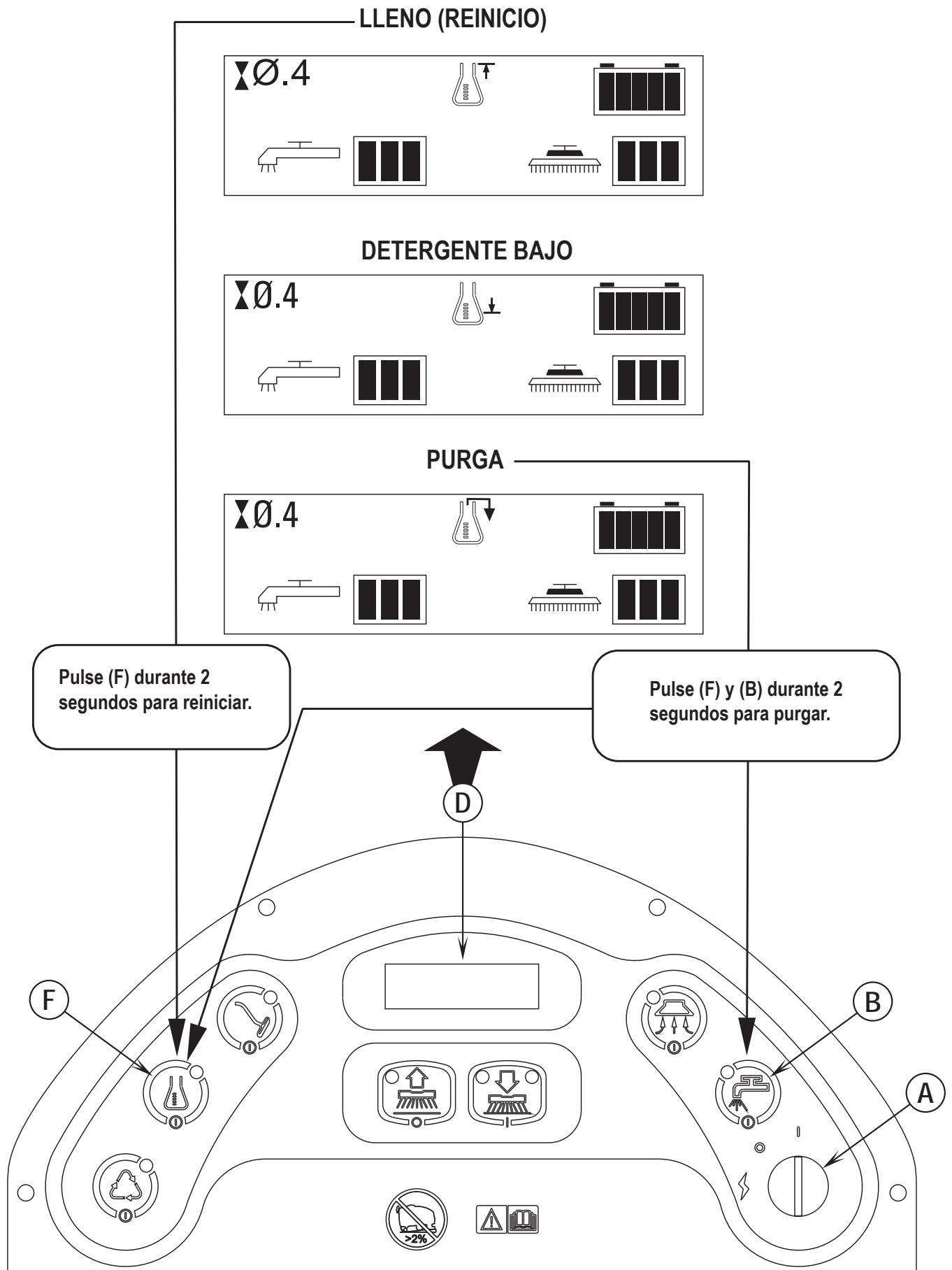
Llene el cartucho de detergente con 1,25 galones (4,73 litros) como máximo.

NOTA DE SERVICIO: Retire el cartucho de la caja de detergente antes de llenarlo para no derramar detergente en la máquina.

Se recomienda utilizar un cartucho individual por cada detergente que prevea usar. Los cartuchos de detergente tienen una pegatina blanca de modo que puede escribir el nombre del detergente en cada cartucho para no mezclarlos. El cartucho de detergente tiene un deslizador magnético (CC) en un extremo el cual debe ajustarse a la cantidad de mezcla adecuada de acuerdo con las instrucciones descritas en la botella del fabricante. Coloque el deslizador magnético (CC) en la posición adecuada en la pegatina de cantidad de mezcla de detergente (DD). Al instalar un nuevo cartucho, retire la tapa (AA) y coloque el cartucho en la caja de detergente. Instale la tapa sellada (BB) como se muestra.



REPARACIÓN Y USO DEL SISTEMA DE DETERGENTE (AXP)



FREGADO EN HÚMEDO

¡ADVERTENCIA!

Asegúrese de que comprende los controles del operador y sus funciones.

Si se encuentra sobre una rampa o inclinación, evite las paradas bruscas cuando lleve carga. No tome las curvas bruscamente.

Utilice una velocidad lenta si va cuesta abajo. Limpie sólo yendo cuesta arriba.

- 1 Siga las instrucciones de la sección Preparación de la máquina para el uso de este manual.
- 2 Encienda (I) el conmutador principal de llave (A). Se encenderán las luces indicadoras del panel de control, el indicador de la situación de las baterías y el cronómetro en la pantalla (D).
- 3 Para llevar la máquina a la zona de trabajo, empuje la paleta de tracción (30) hacia delante o tire de la paleta de tracción (30) hacia atrás para desplazar la máquina marcha atrás. Cambie la presión que hace en la paleta de tracción (30) para obtener la velocidad deseada.
NOTA: El botón de control de la velocidad (13) se utiliza para controlar la velocidad máxima marcha adelante o marcha atrás.
- 4 Pulse y mantenga pulsado el conmutador de la solución (B) durante 5 segundos para mojar previamente el suelo. **NOTA:** Esto debe realizarse antes de pulsar el interruptor de encendido del fregado (I).
- 5 Pulse el interruptor de encendido del fregado (I) una vez para un fregado regular o dos veces para un fregado duro. Mantenga pulsado este interruptor durante 5 segundos para un fregado extremo. El sistema de solución y el sistema de detergente tienen 3 preajustes del flujo que coinciden con los 3 modos de fregado (consulte el panel de control). **NOTA:** Hay una función de reemplazo del flujo de la solución si desea aumentar el flujo de la solución sin aumentar la presión del fregado. Mantenga pulsado el conmutador de la solución (B) durante 3 segundos (el indicador de solución empezará a parpadear) y suéltelo. A continuación, dispone de 3 segundos para fijar un flujo diferente pulsando el conmutador de la solución (B) varias veces hasta que el indicador de flujo de la solución muestre el índice deseado (regular, duro o extremo / ver el panel de control). Los siguientes ajustes de presión del fregado pondrán el flujo de la solución en el índice predeterminado.
NOTA: Los sistemas de solución, de aspiración y de detergente (sólo AXP) se activan automáticamente cuando se pulsa el interruptor de encendido del fregado (I). No se requiere ninguna acción adicional aparte de bajar la boquilla (15). Cualquier sistema individual puede apagarse o volver a encenderse con sólo pulsar su interruptor en cualquier momento durante el fregado. Si ha instalado el kit depurador ampliado, no se activará automáticamente. Debe pulsar el interruptor de reciclaje (G) para activar dichos sistema. El sistema de reciclaje no se encenderá hasta que el nivel de agua en el depósito de recuperación alcance un determinado nivel.
- 6 Baje la boquilla con la palanca de elevación / descenso de la boquilla (15).
- 7 Cuando la paleta de tracción (30) está en la posición neutra, los sistemas de fregado, aspiración, solución y detergente (sólo AXP) se activan pero no funcionan. Agarre la manilla de control del operario (2) y empuje la paleta de tracción (30) hacia delante para encender los sistemas de fregado, vacío, solución y detergente (sólo AXP) y para mover la máquina hacia delante. Para resultados óptimos, mueva la máquina a una velocidad de paseo lento. Pulse el conmutador de la solución (B) una vez para apagarlo cuando tome curvas cerradas. Tire de la paleta de tracción (30) hacia atrás para mover la máquina marcha atrás. Cuando mueva la máquina marcha atrás, los cepillos funcionarán pero no se aplicará ni solución ni producto químico.

¡PRECAUCIÓN!

Para evitar daños al suelo, mantenga la máquina en movimiento cuando los cepillos están girando.

- 8 Para los suelos extremadamente sucios, puede que no sea satisfactoria una operación de fregado de una sola pasada y se puede necesitar una operación de "doble fregado". Esta operación es la misma que la del fregado de una sola pasada salvo que en la primera pasada la boquilla está hacia arriba. Esto permite que la solución de limpieza se quede en el suelo más tiempo. La última pasada se hace en la misma zona, con la boquilla bajada para recoger la solución acumulada.
- 9 El depósito de recuperación tiene un interruptor de cierre automático que apaga TODOS los sistemas excepto el sistema de tracción cuando el depósito de recuperación está lleno. Hay que vaciar el depósito de recuperación cuando se activa este interruptor. La máquina no recogerá agua ni fregará con el interruptor activado. **NOTA:** Todos los demás indicadores desaparecen y un indicador de "llenado del depósito de recuperación" (FF) se enciende en el panel de visualización cuando el interruptor se activa.
- 10 Cuando el operario quiera dejar de fregar o el depósito de recuperación esté lleno, pulse una vez el interruptor de apagado del fregado (H). Esto parará automáticamente los cepillos de fregado y el flujo de solución, y el portacepillos se levantará. **NOTA:** la aspiración se detendrá después de un plazo de 10 segundos. Esto permite recoger el agua que haya podido quedar sin tener que volver a encender la aspiración.
- 11 Levante la boquilla y conduzca la máquina a un lugar establecido para la eliminación de aguas residuales y vacíe el depósito de recuperación. Para vaciarlo, tire de la tubería de drenaje del depósito de recuperación (22) para sacarla de su soporte y abra la tapa (sostenga el extremo de la tubería por encima del nivel de agua para evitar el flujo súbito e incontrolado de agua residual). Se puede apretar la tubería de drenaje del depósito de recuperación (22) para regular el flujo. Rellene el depósito de solución y siga fregando.

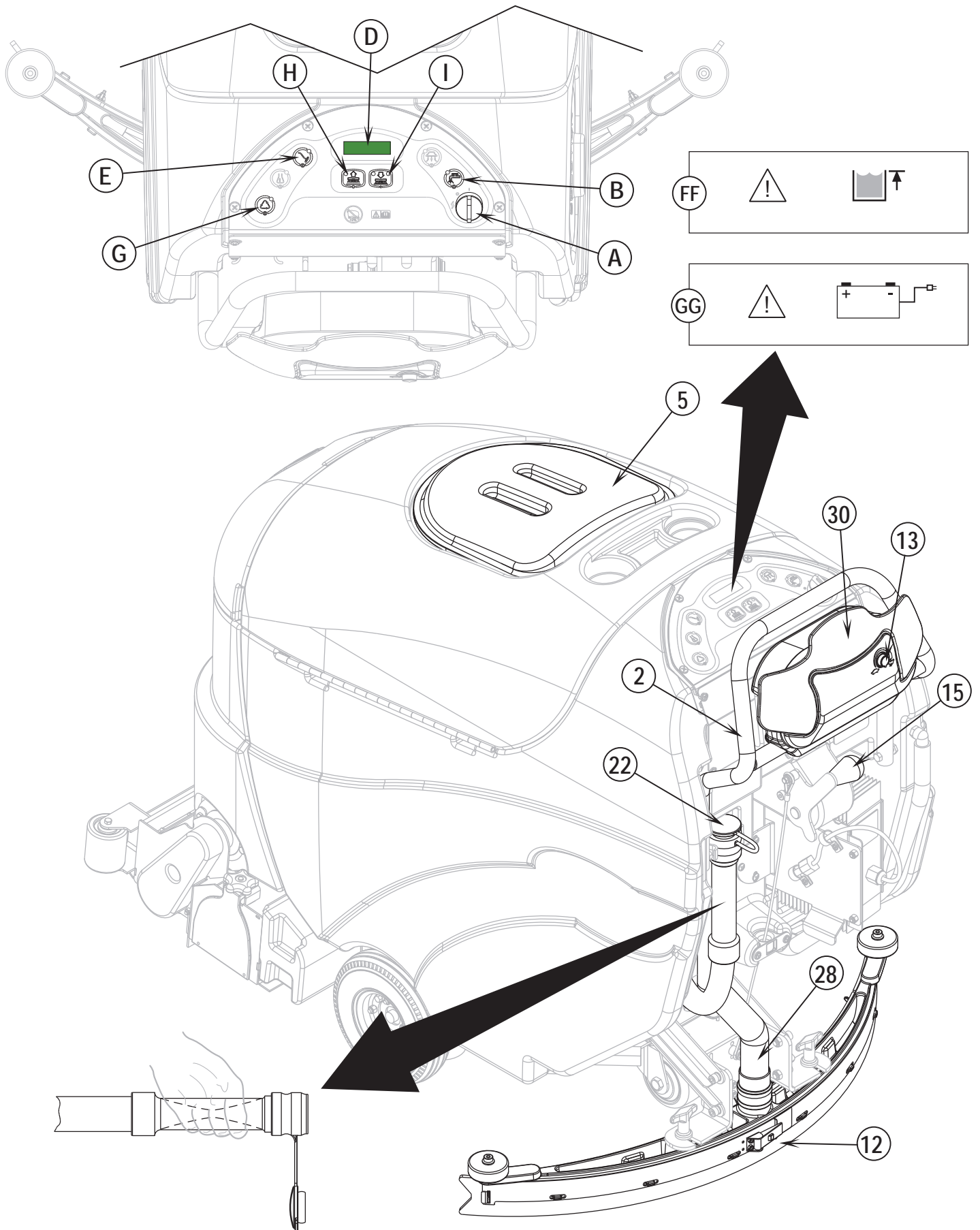
NOTA: Asegúrese de que la tapa del depósito de recuperación (5) y de la tubería de drenaje del depósito de recuperación (22) están asentadas correctamente; de lo contrario, la máquina no recogerá correctamente el agua. Cuando las baterías necesitan recargarse, el indicador de batería baja (D8) se encenderá y el motor de aspiración se cerrará después de 30 segundos. Lleve la máquina a una zona de mantenimiento y recargue las baterías de acuerdo con las instrucciones en la sección de Baterías de este manual.

ASPIRACIÓN EN HÚMEDO

Añada a la máquina accesorios opcionales para la aspiración en húmedo.

- 1 Desconecte de la boquilla (12) la tubería de recuperación (28).
- 2 Añada a la manguera las herramientas de recogida adecuadas (disponibles en Advance).
- 3 Encienda el conmutador de llave principal (A).
- 4 Pulse el interruptor de vara (E) una vez para encender el motor de aspiración.

NOTA DE SERVICIO: Consulte el manual de servicio para obtener las descripciones funcionales detalladas de todos los controles y la programabilidad opcional.



DESPUÉS DE LA UTILIZACIÓN

- 1 Levante los cepillos (o las bayetas) y levante la boquilla. Lleve la máquina a una zona de mantenimiento.
- 2 Apague el conmutador principal de llave (A) y quite la llave.
- 3 Para vaciar el depósito de solución, retire la tubería de drenaje de la solución (14) del codo. Dirija la tubería a un punto de drenaje en el suelo o a un cubo. Enjuague el depósito con agua limpia. Inspeccione las mangueras de solución y sustitúyalas si están torcidas o dañadas.
- 4 Para vaciar el depósito de recuperación, extraiga la tubería de drenaje del depósito de recuperación (22) de su soporte y retire la tapa (sostenga el extremo de la tubería por encima del nivel de agua para evitar el flujo súbito e incontrolado de agua residual). Se puede apretar la tubería de drenaje del depósito de recuperación (22) para regular el flujo. Enjuague el depósito y los interruptores del depósito de recuperación (32) con agua limpia. Inspeccione las mangueras de recuperación y aspiración y sustitúyalas si están torcidas o dañadas. **NOTA DE SERVICIO:** Asegúrese de no haya agua debajo de la criba de entrada del motor de aspiración (4) mientras limpia.
NOTA: Si tiene la opción de depurador ampliado instalada, será necesario purgar el sistema.
- 4a Después de cada uso, drene y enjuague el depósito de recuperación completamente y, a continuación, llene el depósito de recuperación aproximadamente 1/3 con agua limpia.
- 4b Pulse y mantenga pulsado el botón de depurador ampliado (G) durante 3 segundos (el indicador se pondrá verde) para iniciar la función de purga. La purga se realizará durante 20 segundos. **NOTA:** Esto sirve para eliminar cualquier suciedad del sistema. Si no lo hiciera, la válvula de solenoide y/o la bomba ampliada podrían obstruirse con la suciedad.
- 5 Retire los cepillos o los portabayetas. Enjuague los cepillos o las bayetas con agua templada y tiéndalos para que sequen. Deje que las bayetas de pulido se sequen por completo antes de volver a usarlas. **NOTA:** Puede retirar los cepillos de manera manual o automática pulsando y manteniendo pulsado el interruptor de apagado del fregado (H) durante 5 segundos (sólo modelos de disco).
- 6 Retire la boquilla, enjuáguela con agua templada y tiéndala para que seque.
- 7 Compruebe el programa de mantenimiento que viene a continuación y realice cualquier operación de mantenimiento necesaria antes de guardar la máquina.

PROGRAMA DE MANTENIMIENTO

OPERACIÓN DE MANTENIMIENTO	Diaria	Semanal	Mensual	Anual
Recarga de baterías	X			
Comprobar y limpiar depósitos y tuberías (interruptores de depósito de recuperación y criba de entrada de aspiración limpios)	X			
Comprobar, limpiar y girar los cepillos y las bayetas	X			
Comprobar y limpiar la boquilla	X			
Limpiar la tolva del sistema cilíndrico	X			
Purgue el sistema de depurador ampliado (si estuviera instalado)	X			
Comprobar el nivel de agua de todas las células de las baterías (no se aplica a baterías de células de gel)		X		
Inspeccionar las faldillas contenedoras de fregado		X		
Inspeccionar y limpiar el filtro de la solución		X		
Limpiar los colectores de la solución del sistema cilíndrico		X		
Purgar el sistema de detergente (sólo AXP)		X		
Lubricar la máquina			X	
* Comprobar los cepillos de carbono				X

* Haga que Advance compruebe los cepillos de carbono del motor de aspiración una vez al año o después de 300 horas de funcionamiento. Compruebe los cepillos de carbono de los motores de tracción y fregado cada 500 horas o una vez al año.

NOTA: Para más información sobre reparaciones de mantenimiento y servicio, consulte el Manual de Servicio.

- 8 Almacene la máquina en un lugar limpio y seco.
- 9 Apague (O) el conmutador principal de llave (A) y quite la llave.

MANTENIMIENTO DEL MOTOR DE ASPIRACIÓN

Haga que su Distribuidor de Advance revise los cepillos de carbono del motor una vez al año o después de 300 horas de funcionamiento.

¡IMPORTANTE!

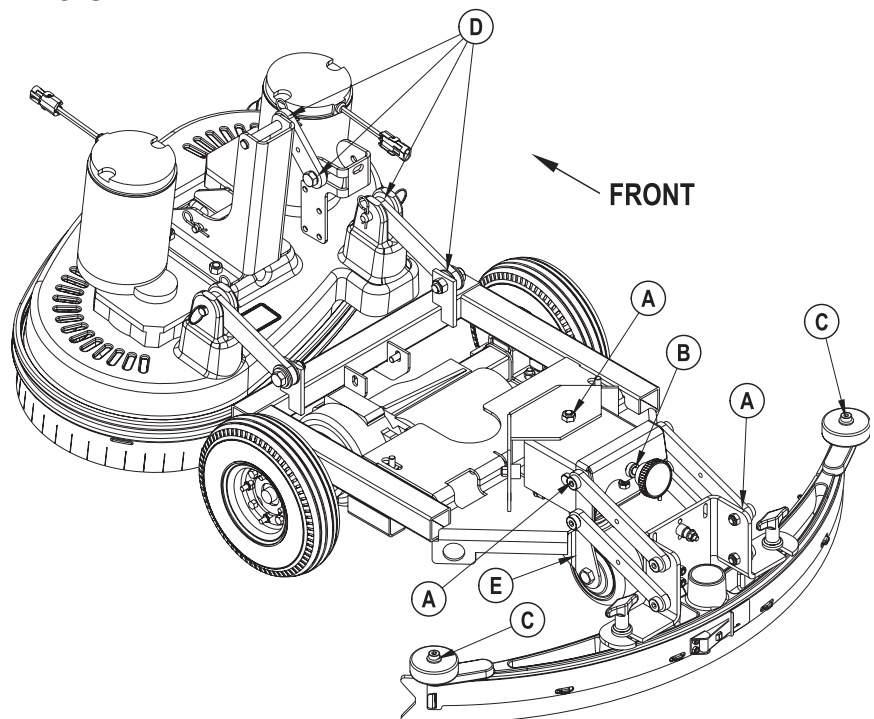
Los daños al motor causados por no haber revisado y mantenido los cepillos de carbono no están cubiertos por la garantía. Consulte la Declaración de Garantía Limitada.

LUBRICACIÓN DE LA MÁQUINA

Una vez al mes, aplique aceite ligero de máquina para lubricar lo siguiente:

- Puntos generales de pivotaje de la junta de boquilla (A).
- Roscas del botón de ajuste del ángulo de montaje de la boquilla (B).
- Ruedas del extremo de la boquilla (C).
- Puntos generales de pivotaje de la junta de cepillo (D).
- Ruedas del parachoques del portacepillos.

- Una vez al trimestre, engrase lo siguiente:
- Rueda giratoria de la roldana trasera (E).



RECARGA DE BATERÍAS DE LÍQUIDO

Recargue las baterías cada vez que se utilice la máquina o cuando el indicador de batería (D) presente un nivel inferior al de carga completa.



¡ADVERTENCIA!

No rellene las baterías antes de recargarlas.

Recargue las baterías exclusivamente en una zona bien ventilada.

No fume mientras maneja las baterías.

Cuando revise las baterías...

- * Qítense todas las joyas
- * No fume
- * Lleve gafas de seguridad, un delantal de goma y guantes de goma
- * Trabaje en una zona bien ventilada
- * No permita que las herramientas toquen simultáneamente más de un terminal de batería
- * Al sustituir las baterías, desconecte SIEMPRE en primer lugar el cable (de tierra) negativo para evitar chispas.
- * Al instalar las baterías, conecte SIEMPRE el cable negativo al final.

Si su máquina se entrega con cargador de baterías a bordo, realice lo siguiente:

Apague el conmutador de llave principal (A). Desenrolle el cable eléctrico del lado del cargador a bordo y enchúfelo en la toma a tierra correspondiente. Consulte el manual del producto OEM para obtener más instrucciones de funcionamiento detalladas.

Si su máquina se entrega sin cargador de baterías a bordo, realice lo siguiente:

Desconecte las baterías de la máquina e introduzca el conector del cargador en el conector del conjunto de baterías (25). Siga las instrucciones que aparecen encima del cargador de las baterías. **NOTA DE SERVICIO:** Asegúrese de que enchufa el cargador de batería en el conector con el asa integrada.



¡PRECAUCIÓN!

Para evitar daños a la superficie del suelo, limpie siempre el agua y el ácido de la parte superior de las baterías después de la recarga.

COMPROBACIÓN DEL NIVEL DE AGUA DE LAS BATERÍAS

Compruebe el nivel de agua de las baterías al menos una vez a la semana.

Después de cargar las baterías, retire las cubiertas de ventilación y compruebe el nivel de agua de todas células de las baterías. Utilice agua destilada o desmineralizada en un dispensador de relleno de baterías (disponible en la mayoría de las tiendas de materiales para coches) para llenar todas las células hasta el indicador de nivel (o hasta 10 mm por encima de la parte superior de los separadores). ¡NO rellene demasiado las baterías!



¡PRECAUCIÓN!

Si las baterías están demasiado llenas se puede salpicar ácido al suelo.

Apriete las cubiertas de ventilación. Limpie la parte superior con una solución de levadura química y agua (2 cucharadas de levadura química en 1 litro de agua).

RECARGA DE BATERÍAS DE GEL (VRLA)

Recargue las baterías cada vez que se utilice la máquina o cuando el indicador de batería (D) presente un nivel inferior al de carga completa.



¡ADVERTENCIA!

Recargue las baterías exclusivamente en una zona bien ventilada.

No fume mientras maneja las baterías.

Cuando revise las baterías...

- * Qítense todas las joyas
- * No fume
- * Lleve gafas de seguridad, un delantal de goma y guantes de goma
- * Trabaje en una zona bien ventilada
- * No permita que las herramientas toquen simultáneamente más de un terminal de batería
- * Al sustituir las baterías, desconecte SIEMPRE en primer lugar el cable (de tierra) negativo para evitar chispas.
- * Al instalar las baterías, conecte SIEMPRE el cable negativo al final.



¡PRECAUCIÓN!

La batería de plomo ácido con regulación de tensión (VRLA) ofrece una vida útil y unas prestaciones superiores ¡SÓLO SI SE RECARGA CORRECTAMENTE! Una recarga insuficiente o excesiva reducirá la vida útil de la batería y limitará sus prestaciones. Asegúrese de SEGUIR AL PIE DE LA LETRA LAS INSTRUCCIONES DE RECARGA. ¡NO INTENTE ABRIR ESTA BATERÍA! Si la batería VRLA se abre, pierde su presión y las placas se contaminan de oxígeno. LA GARANTÍA QUEDA ANULADA SI LA BATERÍA SE ABRE.

Si su máquina se entrega con cargador de baterías a bordo, realice lo siguiente:

Apague el conmutador de llave principal (A). Desenrolle el cable eléctrico del lado del cargador a bordo y enchúfelo en la toma a tierra correspondiente. Consulte el manual del producto OEM para obtener más instrucciones de funcionamiento detalladas.

Si su máquina se entrega sin cargador de baterías a bordo, realice lo siguiente:

Desconecte las baterías de la máquina e introduzca el conector del cargador en el conector del conjunto de baterías (25). Siga las instrucciones que aparecen encima del cargador de las baterías. **NOTA DE SERVICIO:** Asegúrese de que enchufa el cargador de batería en el conector con el asa integrada.

IMPORTANTE: Asegúrese de que dispone de un cargador adecuado para su uso con baterías de células de gel. Utilice únicamente cargadores de "regulación de tensión" o de "limitación de tensión". NO DEBEN utilizarse cargadores de corriente variable o de corriente constante estándar. Se recomienda el uso de un cargador sensible a la temperatura, dado que los ajustes manuales nunca son precisos y dañarán cualquier batería VRLA.

MANTENIMIENTO DE LA BOQUILLA

Si la boquilla deja bandas estrechas de agua, puede que las cuchillas estén sucias o dañadas. Retire la boquilla, enjuáguela con agua tibia e inspeccione las cuchillas. Sustituya o invierta las cuchillas si están cortadas, rasgadas, onduladas o gastadas.

Para invertir o sustituir la cuchilla secadora de la boquilla trasera...

- 1 Ver la Figura 5. Eleve la boquilla del suelo y a continuación desbloquee el pestillo central (19) de la boquilla
- 2 Retire las correas de tensión (26).
- 3 Deslice la cuchilla posterior para sacarla de las clavijas de alineación (27).
- 4 La cuchilla de la boquilla tiene 4 bordes de trabajo. Gire la cuchilla de manera que un borde limpio e intacto apunte hacia la parte frontal de la máquina. Sustituya la cuchilla si los 4 bordes están mellados, desgastados o reducidos al mínimo.
- 5 Instale la cuchilla siguiendo los pasos en orden inverso y ajuste la inclinación de la boquilla.

Para invertir o sustituir la cuchilla de la boquilla delantera...

- 1 Eleve la boquilla del suelo, afloje las (2) tuercas de palomilla (20), desconecte la tubería de recuperación (28) y retire el conjunto de la boquilla (12) del soporte.
- 2 Retire las dos correas de tensión (26) primero.
- 3 Retire todas las tuercas de palomilla que sujetan la cuchilla delantera y a continuación retire las correas de tensión y la cuchilla.
- 4 La cuchilla de la boquilla tiene 4 bordes de trabajo. Gire la cuchilla de manera que un borde limpio e intacto apunte hacia la parte frontal de la máquina. Sustituya la cuchilla si los 4 bordes están mellados, desgastados o reducidos al mínimo.
- 5 Instale la cuchilla siguiendo los pasos en orden inverso y ajuste la inclinación de la boquilla.

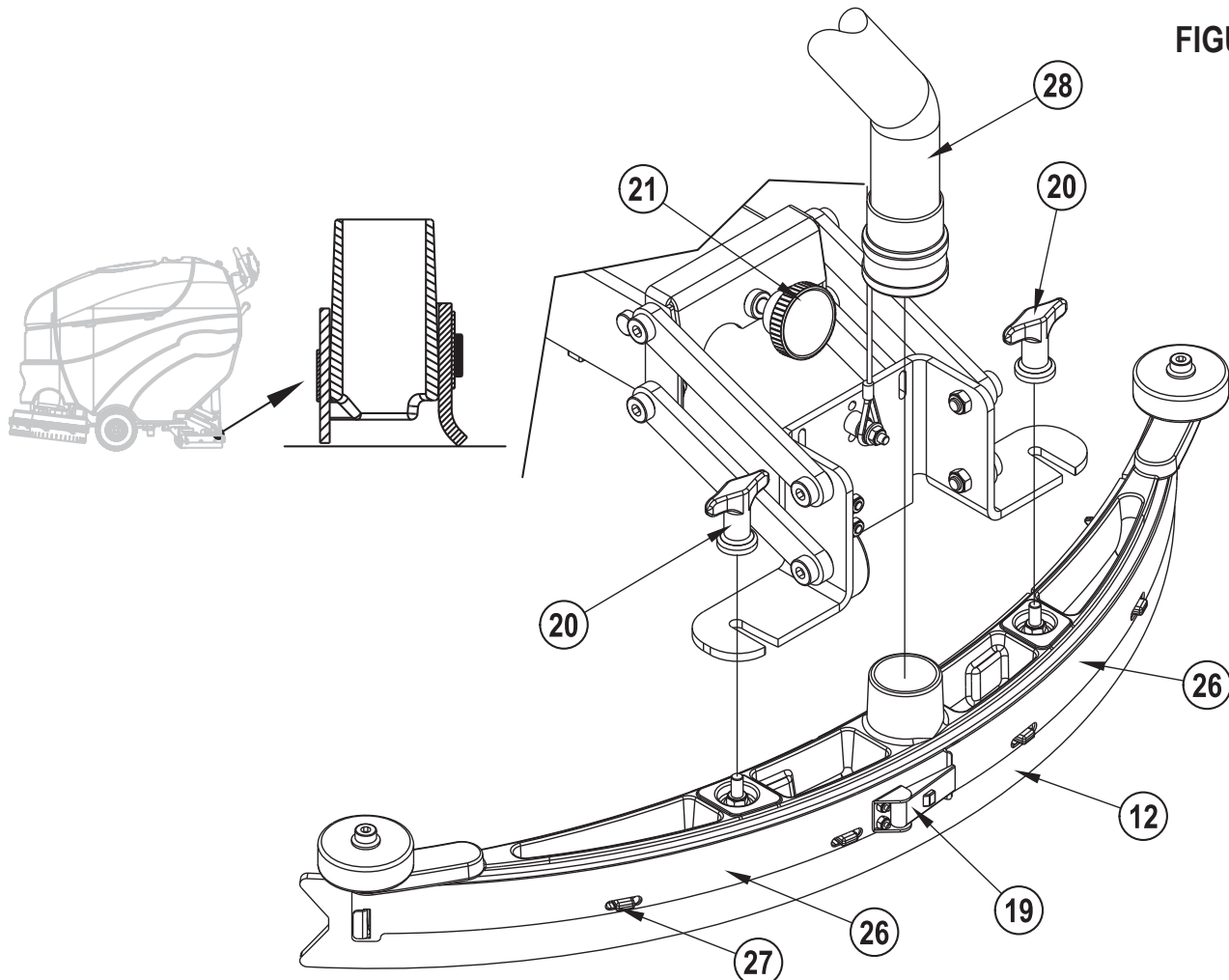
AJUSTE DE LA BOQUILLA

Ajuste el ángulo de la boquilla siempre que sustituya o invierta la cuchilla o cuando la boquilla no deje seco el suelo.

Para ajustar el ángulo de la boquilla...

- 1 Aparque la máquina en una superficie plana e igualada y baje la boquilla.
- 2 Moviendo la máquina lentamente hacia adelante, gire el botón de ajuste de la boquilla (21) hasta que la cuchilla de la boquilla trasera se pliegue homogéneamente en toda la anchura de la boquilla, como se indica a continuación.

FIGURA 5



MANTENIMIENTO DE LOS INTERRUPTORES DEL DEPÓSITO DE RECUPERACIÓN

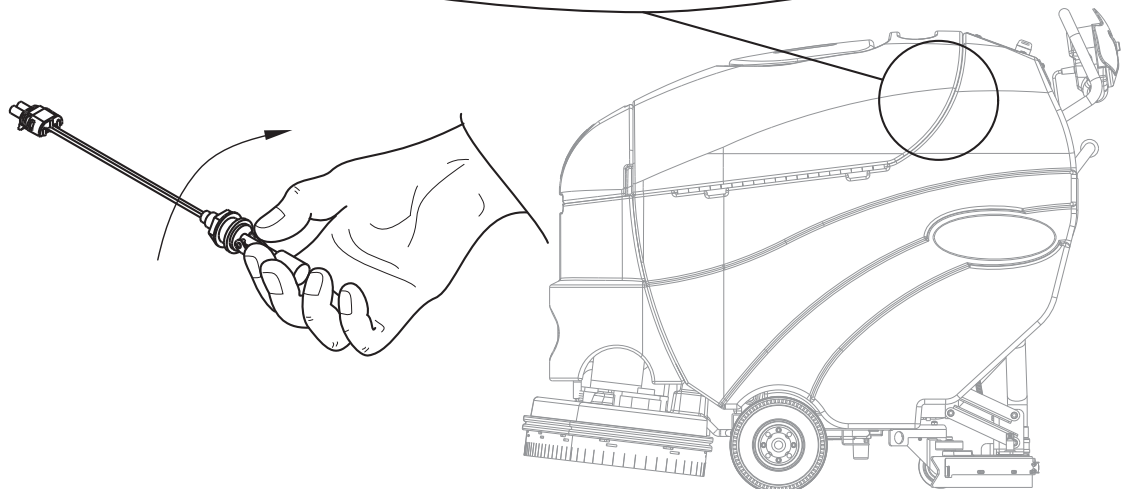
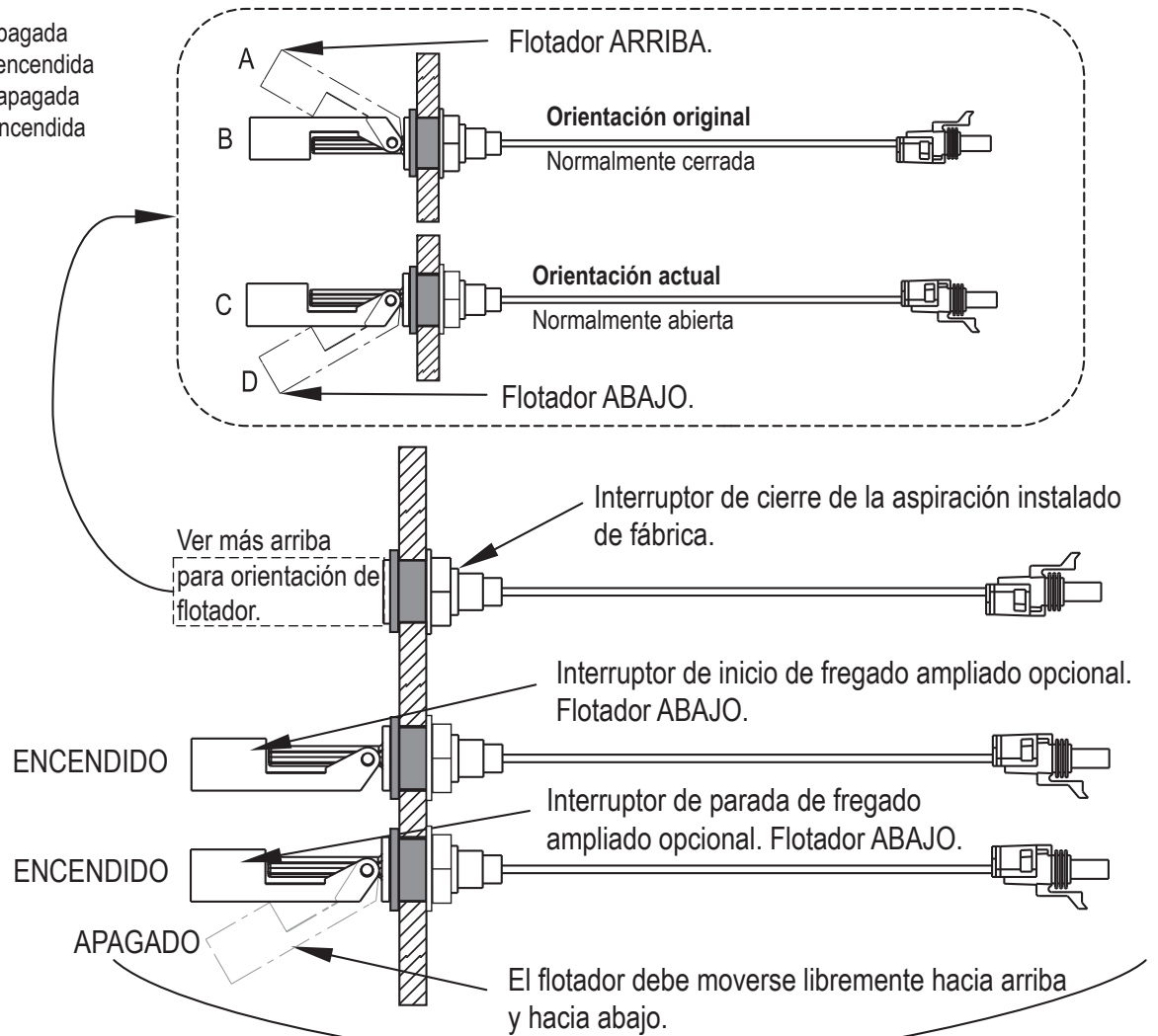
Si los interruptores de flotador del depósito de recuperación se ensucian, su propio funcionamiento podría verse afectado. Un interruptor de cierre de aspiración sucio puede provocar que el motor de aspiración no funcione en absoluto o que no se cierre cuando el depósito está lleno. Los interruptores del sistema de fregado ampliado pueden impedir que el sistema de fregado ampliado opcional funcione correctamente.

Si el enjuagado diario del depósito de recuperación no basta para mantener los interruptores limpios, es posible que tenga que desmontarlos para la limpieza. Es muy importante volver a montarlos correctamente para que funcionen. Ver la Figura 6 para la orientación correcta de los brazos de flotador del depósito.

Consulte el manual de servicio para obtener las instrucciones de desmontaje y de limpieza.

- A - (Abierta) Aspiración apagada
- B - (Cerrada) Aspiración encendida
- C - (Cerrada) Aspiración apagada
- D - (Abierta) Aspiración encendida

FIGURA 6



AJUSTE DE LA ALTURA DEL ZÓCALO DE LA PLATAFORMA DE DISCO

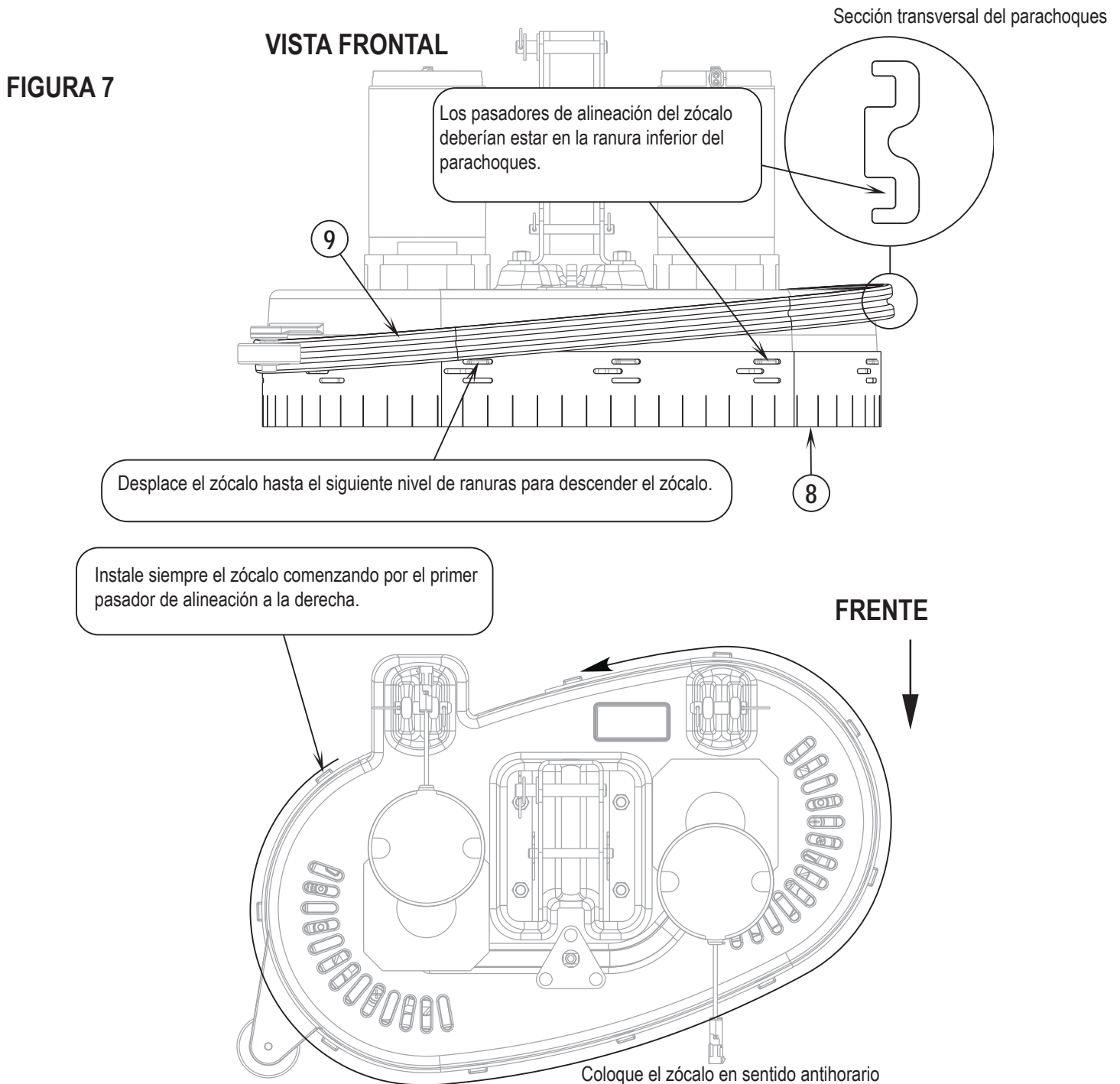
¡PRECAUCIÓN!

Apague (O) el conmutador de llave (A) y quite la llave antes de cambiar los cepillos y antes de abrir cualquiera de los paneles de acceso.

La altura del zócalo de la plataforma puede ajustarse para examinar el desgaste.

Para ajustar la altura del zócalo de la plataforma...

- 1 Levante la plataforma de limpieza (7), apague el conmutador de llave (A) y retire la llave de la máquina.
- 2 **Ver la Figura 7.** Tire del parachoques de la plataforma de limpieza (9) hasta el borde superior del portacepillos de modo que no sostenga el zócalo en su lugar como se muestra. **NOTA:** Antes de retirar el zócalo de la plataforma de limpieza (8) observe en cuál de los 3 diferentes niveles de ranura estaba instalado el zócalo. Algunas máquinas tienen una gran pinza que necesita aflojarse o retirarse antes de extraer el parachoques.
- 3 Para bajar el zócalo, desplácelo hasta el siguiente nivel de ranuras como se muestra. **Nota del servicio:** Instale el zócalo comenzando en el primer pasador de alineación a la derecha como se muestra y colóquelo alrededor de la plataforma en sentido antihorario hasta que esté en todos los pasadores de alineación.
- 4 Coloque el parachoques (9) sobre el zócalo (8). **NOTA:** Asegúrese de que los pasadores de alineación del zócalo se insertan en el canal interior del parachoques y de que el zócalo no se sale de ninguno de los pasadores de alineación.



DESCONEXIÓN DE LOS DISYUNTORES

Los disyuntores protegen los motores y circuitos eléctricos de los daños que pueden causar las situaciones de sobrecarga. Si se desconecta un disyuntor, apague el conmutador de llave principal (A) y retire la llave. A continuación intente determinar la causa. Una vez que se ha corregido el problema, vuelva a instalar el disyuntor apretando el botón hacia adentro. Si el botón no se queda dentro, espere 5 minutos y vuélvalo a intentar. Si el disyuntor se desconecta constantemente, llame a Advance para una revisión.

Posibles causas de la desconexión del disyuntor del circuito de control (18) serían:

- 1 Corto circuito en el cableado - haga que su Técnico de Servicio de Advance revise su máquina

Posibles causas de la desconexión del disyuntor de tracción de la rueda (17) serían:

- 1 Suciedad atascada alrededor del eje de la rueda de tracción.
- 2 Cojinetes del motor de tracción desgastados.
- 3 Uso constante en rampas.

MALA RECOGIDA DE AGUA

- 1 Depósito de recuperación lleno, interruptor de cierre de aspiración activado o sucio
- 2 Sistema de aspiración bloqueado (boquilla y mangueras)
- 3 Mangueras de aspiración desconectadas o dañadas
- 4 Boquilla mal ajustada
- 5 Junta de la tapa del tanque de recuperación dañada

ESTRÍAS DE LA BOQUILLA

- 1 Suciedad debajo de la cuchilla de la boquilla
- 2 Cuchilla de la boquilla gastada, mellada o desgarrada
- 3 Boquilla mal ajustada

MARCAS DE GIRO

- 1 Se utiliza la máquina con los cepillos o las bayetas secos (sin solución limpiadora)
- 2 Cepillos o bayetas incorrectos para la aplicación
- 3 Suciedad atascada en cepillos (o bayetas)

NO HAY FLUJO DE SOLUCIÓN

- 1 Válvula de cierre de la solución (13) cerrada.
- 2 Filtro de la solución (11) obstruido.
- 3 Bomba de solución en mal estado.

LA PLATAFORMA DE LIMPIEZA SE ELEVA DURANTE EL FREGADO (CILÍNDRICA)

- 1 Residuos atrapados entre cepillos y contenedor de cepillo.
- 2 Cojinete de motor del cepillo en mal estado.

NO HAY FLUJO DE DETERGENTE (AXP)

- 1 Cartucho de detergente vacío.
- 2 Línea de flujo de detergente obstruida o torcida.
- 3 Cableado de la bomba de detergente desconectado o mal conectado.
- 4 Tapa de junta seca en cartucho de detergente sin sellar.
- 5 Falta imán en el deslizador de mezcla de detergente.

ESPECIFICACIONES TÉCNICAS (según la instalación y comprobaciones de la unidad)

Modelo		Convertamatic™ 24D-C	Convertamatic™ 26D	Convertamatic™ 28D
		Convertamatic™ X24D-C	Convertamatic™ 26D-C	Convertamatic™ 28D-C
			Convertamatic™ X26D-C	Convertamatic™ X28D-C
Nº Modelo		56315000	56315001	56315002
		56315006	56315008	56315004
			56315009	56315012
Voltaje, baterías	V	24V	24V	24V
Capacidad baterías	Ah	238	238	238
Grado de protección		IPX3	IPX3	IPX3
Nivel de presión sonora (ISO 11201)	dB(A)	70	70	70
Nivel de potencia sonora (ISO 3744)	dB(A)	Lwa 87.6	Lwa 87.6	Lwa 87.6
Peso bruto	lbs. / kg	780 / 354	780 / 354	780 / 354
Vibración en los controles manuales (ISO 5349-1)	m/s ²	.23m/s ²	.23m/s ²	.23m/s ²
Capacidad ascendente		2% (1º)	2% (1º)	2% (1º)
Modelo		Convertamatic™ 24C-C	Convertamatic™ 26C-C	Convertamatic™ 28C-C
		Convertamatic™ X24C-C	Convertamatic™ X26C-C	Convertamatic™ X28C-C
Nº Modelo		56315003	56315010	56315005
		56315007	56315011	56315013
Voltaje, baterías	V	24V	24V	24V
Capacidad baterías	Ah	238	238	238
Grado de protección		IPX3	IPX3	IPX3
Nivel de presión sonora (ISO 11201)	dB(A)	66	66	66
Nivel de potencia sonora (ISO 3744)	dB(A)	Lwa 87.6	Lwa 87.6	Lwa 87.6
Peso bruto	lbs. / kg	780 / 354	780 / 354	780 / 354
Vibración en los controles manuales (ISO 5349-1)	m/s ²	.23m/s ²	.23m/s ²	.23m/s ²
Capacidad ascendente		2% (1º)	2% (1º)	2% (1º)

Modelo		Convertamatic™ 32D-C
		Convertamatic™ X32D-C
Nº Modelo		56315804
		56315805
Voltaje, baterías	V	24V
Capacidad baterías	Ah	238
Grado de protección		IPX3
Nivel de presión sonora (ISO 11201)	dB(A)	70
Nivel de potencia sonora (ISO 3744)	dB(A)	Lwa 87.6
Peso bruto	lbs. / kg	780 / 354
Vibración en los controles manuales (ISO 5349-1)	m/s ²	.23m/s ²
Capacidad ascendente		2% (1º)

X = AXP (inyección química) **Convertamatic™ X24C-C)**

-C = Cargador a bordo (**Convertamatic™ 24C-C)**



**Nilfisk
Advance**

setting standards

Nilfisk-Advance, Inc.
14600 21st Avenue North
Plymouth, MN 55447-3408
www.nilfisk-advance.com
Phone: 800-989-2235
Fax: 800-989-6566
©2008 Nilfisk-Advance, Inc.