

56384720 GAS SPRING KIT-1500 RPM

Advolution 20 Models: 01510A

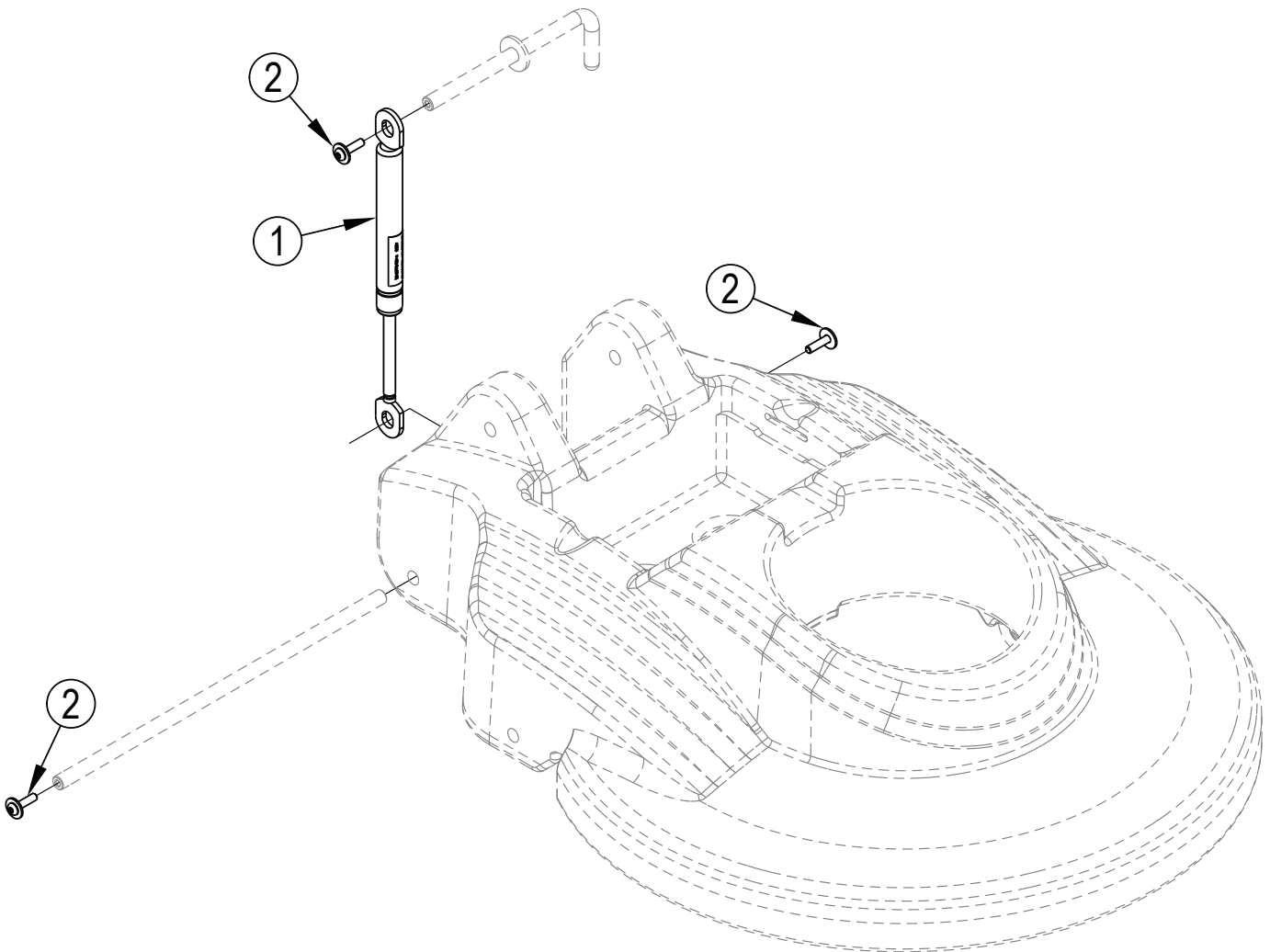
56384721 GAS SPRING KIT-2000 RPM

Advolution 20XP Models: 01520A

CONTENTS OF KIT

ITEM	PART NO.	QTY	DESCRIPTION
[]	56090291	1	Instruction Sheet
1		1	Gas Spring (Kit 56384720)
		1	Gas Spring (Kit 56384721)
2		3	Screw .25-20 x 1.00 BHHR SEMS

[] = Not Shown



INSTALLATION INSTRUCTIONS

⚠ WARNING!

UNPLUG UNIT FROM OUTLET BEFORE SERVICING.

REMOVE OLD GAS SPRING

1 See Figure 1. Place handle in the full upright position.

⚠ CAUTION!

ENGAGE HANDLE LOCK (A) TO PREVENT THE HANDLE FROM FALLING AND CAUSING INJURY WHILE SERVICING MACHINE.

- 2 Remove Screw (B), Wheel (C) and Washers (D). Observe the number and location of the washers for reassembly.
- 3 Slide out the Axle and Wheel (E) from the machine. Keep the Washers (F) together.
- 4 Remove Screw (G), Handle (H) and Washer (J) and save for reassembly.
- 5 Take out the old Gas Spring (K).

INSTALL NEW GAS SPRING

- 6 Note the correct orientation of the gas spring is with the piston end facing down as shown.
- 7 Install the lower end of Gas Spring (1) first. Reassemble axle, wheels and washers using new Screw (2).
- 8 Install the upper end of the gas spring next. Secure with handle, washer and Screw (2).

FIGURE 1

