

56109778 MAINFRAME KIT

Advolution 20XP Models: 01520A, 01520C

56109779 MAINFRAME KIT

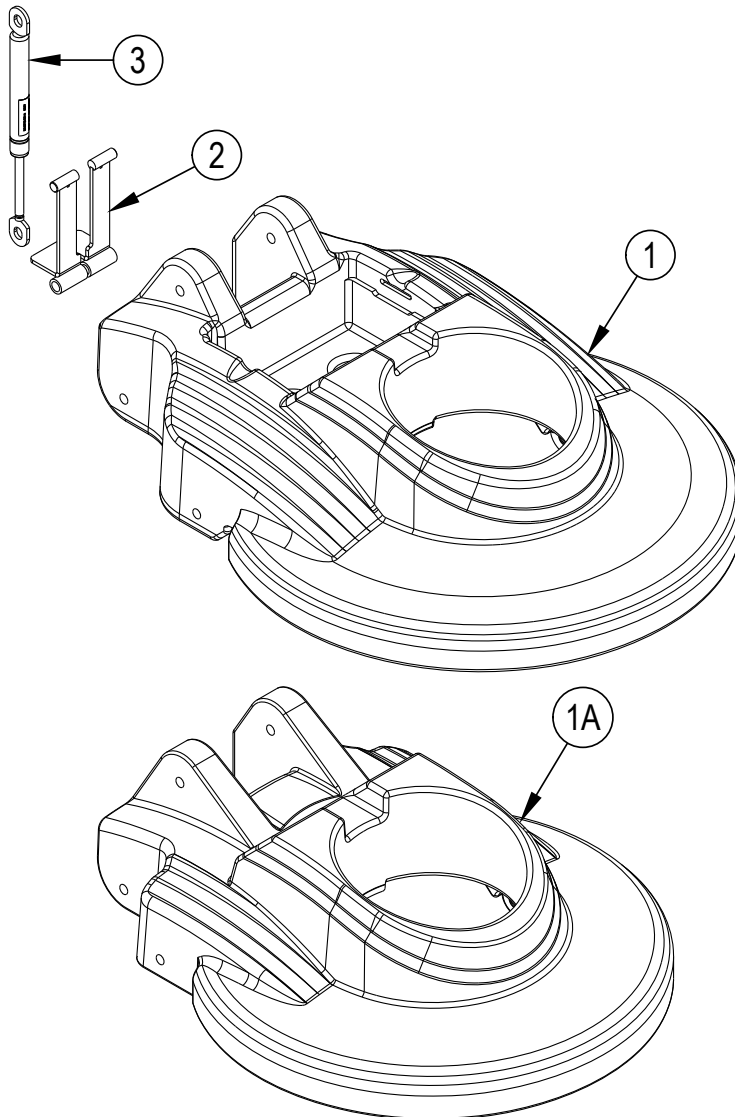
Advolution 20 Models: 01510A, 01510C

CONTENTS OF KIT

ITEM	PART NO.	QTY	DESCRIPTION
[]	56090104	1	Instruction Sheet
1	56109769	1	Mainframe Advance (Kit 56109778)
1A	56109770	1	Mainframe Advance NDC (Kit 56109779)
2	56109743	1	Release Pedal Weldt.
3#		1	Spring Gas (Kit 56109778)
#		1	Spring Gas (Kit 56109779)

[] = Not Shown

= Revised or new since last update



INSTALLATION INSTRUCTIONS

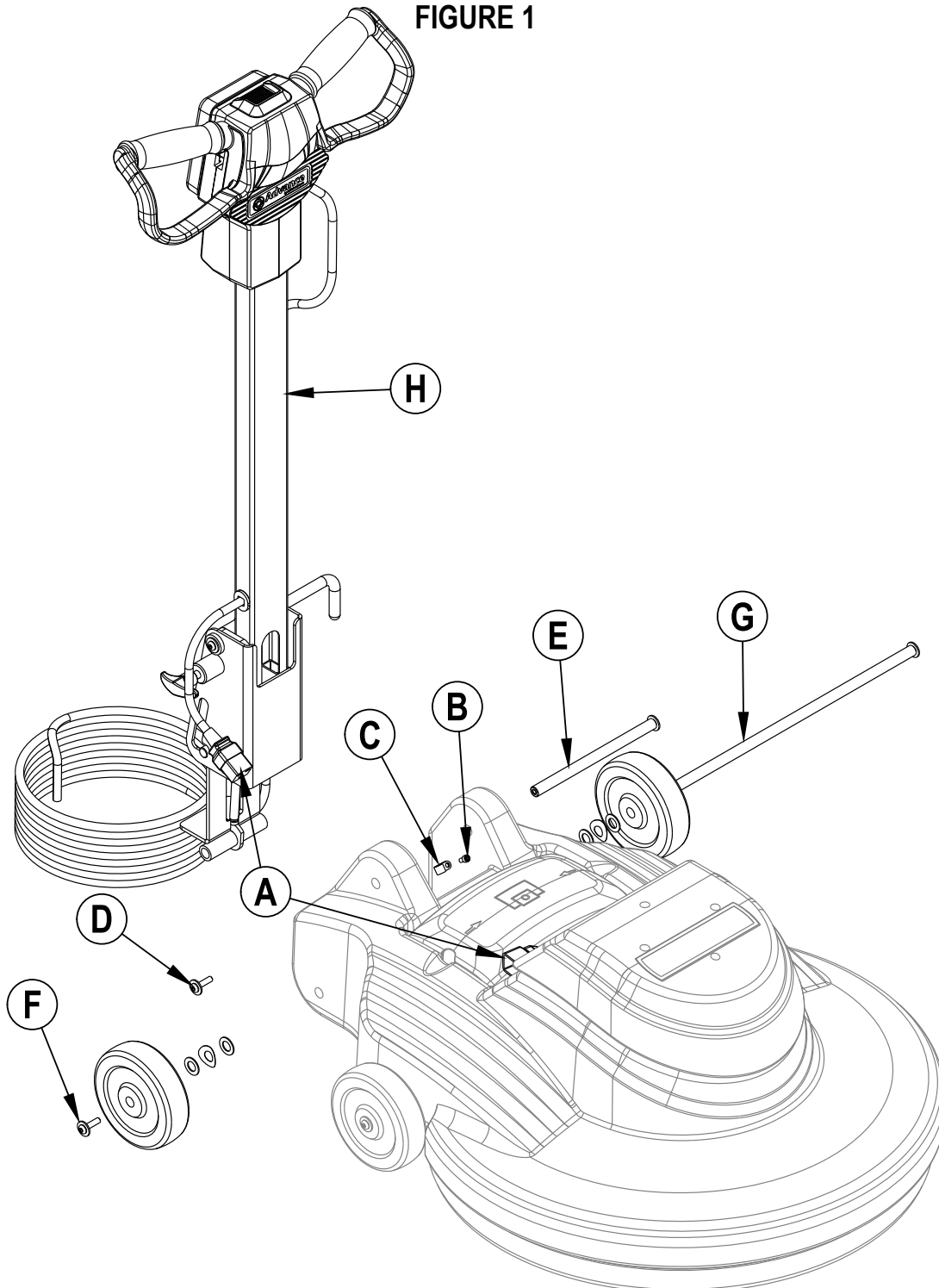
⚠ WARNING!

UNPLUG UNIT FROM OUTLET BEFORE SERVICING.

REMOVE HANDLE ASSEMBLY

- 1 See Figure 1. Disconnect the Power Cord (A) from the motor.
- 2 Remove the Screw (B) and P-Clamp (C). NOTE: Dust control models only.
- 3 Remove Screw (D) and Pivot Axle (E).
- 4 Remove Screw (F), Axle (G) and the Wheels and Washers as shown.
- 5 Remove the Handle Assembly (H) from the machine.

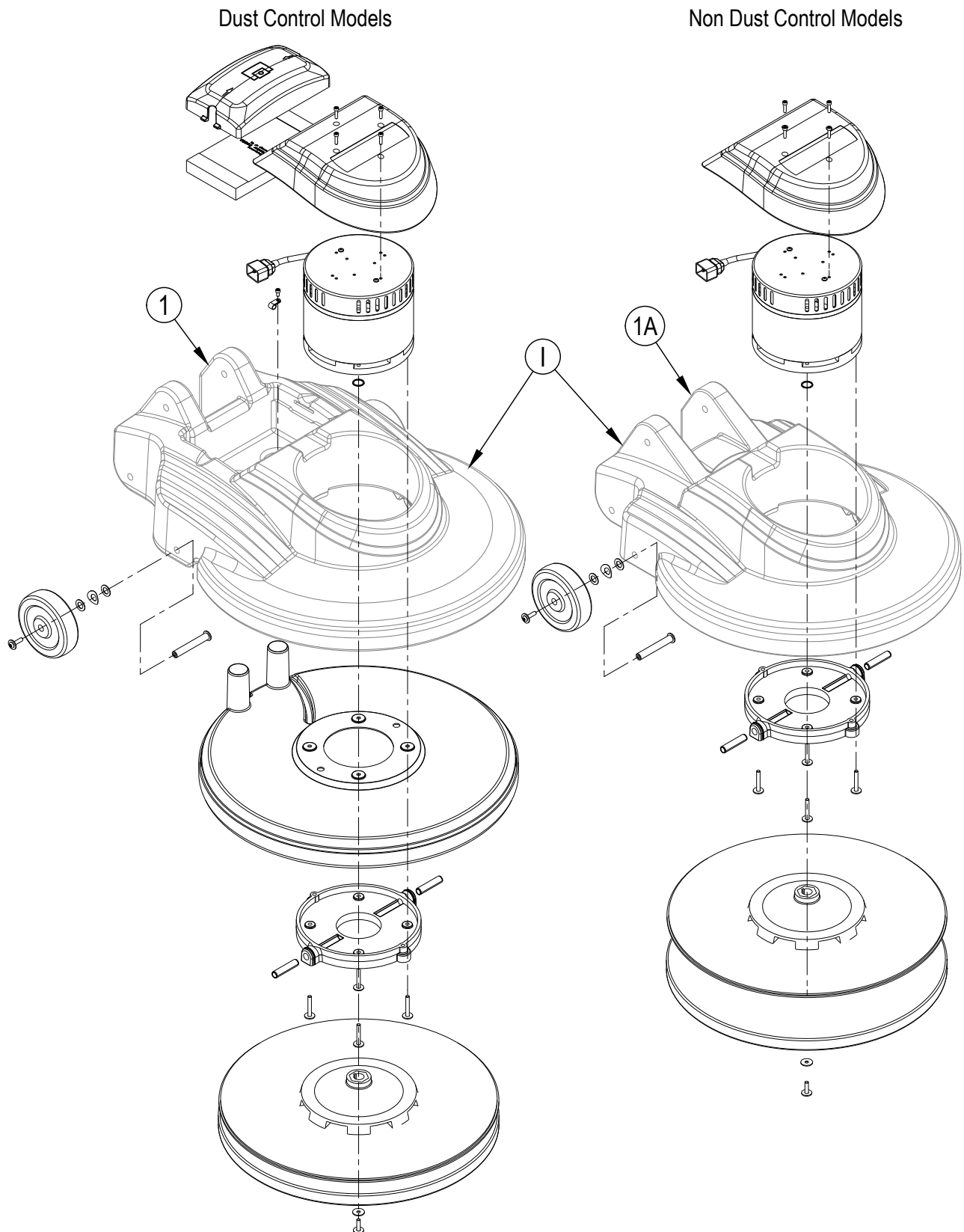
FIGURE 1



DISASSEMBLE MAINFRAME MACHINE COMPONENTS AND REASSEMBLE WITH NEW MAINFRAME

- 6 See Figure 2. Remove the rest of the components mounted to the existing Mainframe (I) as shown and discard existing mainframe. Save all remaining components to be reused.
- 7 Install all of the components that were removed from the old Mainframe (I) onto the new Mainframe (1 or 1A) as shown.

FIGURE 2



INSTALL NEW COMPONENTS ON HANDLE ASSEMBLY AND REASSEMBLE HANDLE TO MAINFRAME

- 8 See Figure 3. Remove Screw (J), Handle (K) and Washer (L) and save for reuse.
- 9 Remove the old Gas Spring (M) and Release Pedal (N). Save the two Springs (O) for reuse.
- 10 Install the new Gas Spring (3) and Release Pedal (2) from the kit.
- 11 Follow steps 1 through 5 in reverse order to reassemble the handle to the mainframe.

FIGURE 3

