

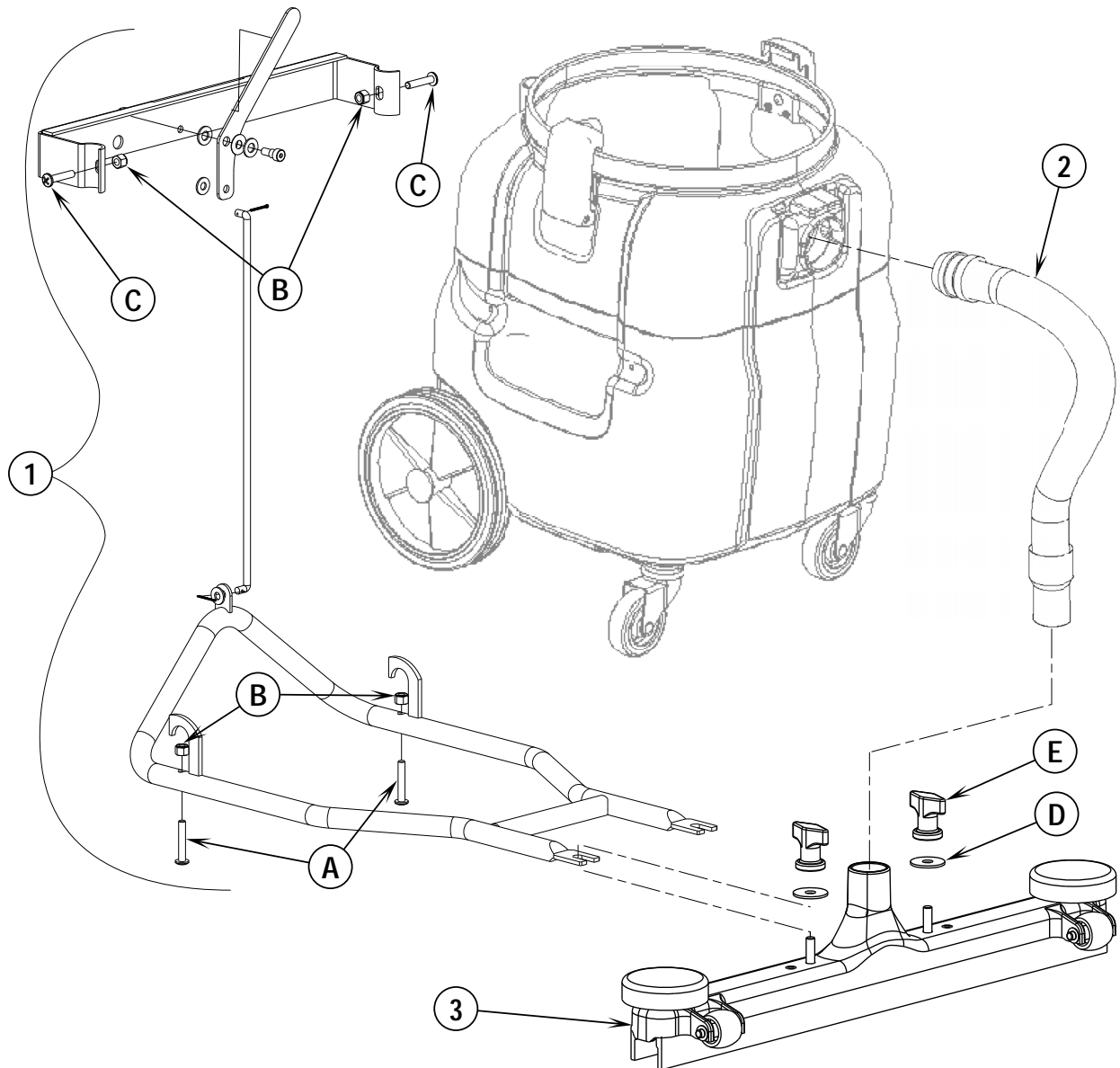
56600458 – 24" WET DRY FRONT MOUNT SQUEEGEE KIT

56600459 – 30" WET DRY FRONT MOUNT SQUEEGEE KIT

For AWD-315, AWD-320, EWD-315, EWD-320 Models: 9058901010, 9058902010, 9058904010, 9058905010

CONTENTS OF KIT

ITEM	PART NO.	QTY	DESCRIPTION
	56090015	1	Instruction Sheet
1	56600457	1	Lift Frame & Hardware (frame is pre-assembled)
A	NA	2	Screw 1/4-20 x 1.50"
B	NA	4	Nylock Nuts 1/4-20
C	NA	2	Screw 1/4-20 x 1.25"
D	NA	2	Washers 5/16"
E	56209154	2	Thumb Nuts
2	1402148500	1	Hose 20" x 1.5"
3	56209088	1	24" Squeegee Assembly (Kit 56600458)
	56209089	1	30" Squeegee Assembly (Kit 56600459)



INSTALLATION INSTRUCTIONS



- 1 Lay assembled Squeegee Lift Frame (1) flat on floor behind machine as shown. Hooks will face upwards.



- 2 Loosen the 1/4-20 x 1.50" Screws (A) and Nuts (B) but do not remove. Note: This is done to allow the machine's axle to move into the hooks.



- 3 Roll machine back over Squeegee Lift Frame with the drain hose underneath as shown.



- 4 Lift handle lever up to the top to meet the machine handle, align the mounting holes in the handle with the slots in the upper mounting bracket.



- 5 Install the 1/4-20 x 1.25" Screws (C) through the handles and secure the upper mounting bracket with Nylock Nuts (B). Keep the screws loose.



- 6 Tip the machine on its side. Position the hooks on the frame to go over the machine's axle. Make sure the hooks are over the axle on both sides. Tighten the screws and nuts (A & B) that were loosened in step 2. Note: The frame will move around slightly, but not be able to come off of the axle.



- 7 Tip the machine back up and attach the Squeegee Assembly (3) to the Lift Frame (1). Place the screws in the slots and then the Washers (D) on top as shown. Install the Thumb Nuts (E) tightly.

- 8 Attach the included Vacuum Hose (2) between the squeegee and the machine.

- 9 Move the squeegee raise/lower lever to the right (lowered position) to take tension off of the lift linkage. Adjust and tighten the mounting hardware (B & C) at the handle. To raise the squeegee move the lever to the left and the squeegee should be lifted off the floor.

