

56265243 BRUSH ADJUSTMENT LEVER KIT

AquaClean Models: 56265000, 56265001, 56265003, 56265008

AX 410 Models: 56265002, 56265006, 56265007

Klenzor Models: 56265004, 56265005

CONTENTS OF KIT

ITEM	PART NO.	QTY	DESCRIPTION
	56040927	1	Instruction Sheet
1#	56002916	1	Wsh, Fit SAE SS #10
2	56003761	1	Scr, Soc Hd SS 10-32 x 1.50
3	56201448	1	Spring, Compression
4	56265237	1	Lever, Brush Adjustment
5	56265239	1	Knob

= Revised or new since last update

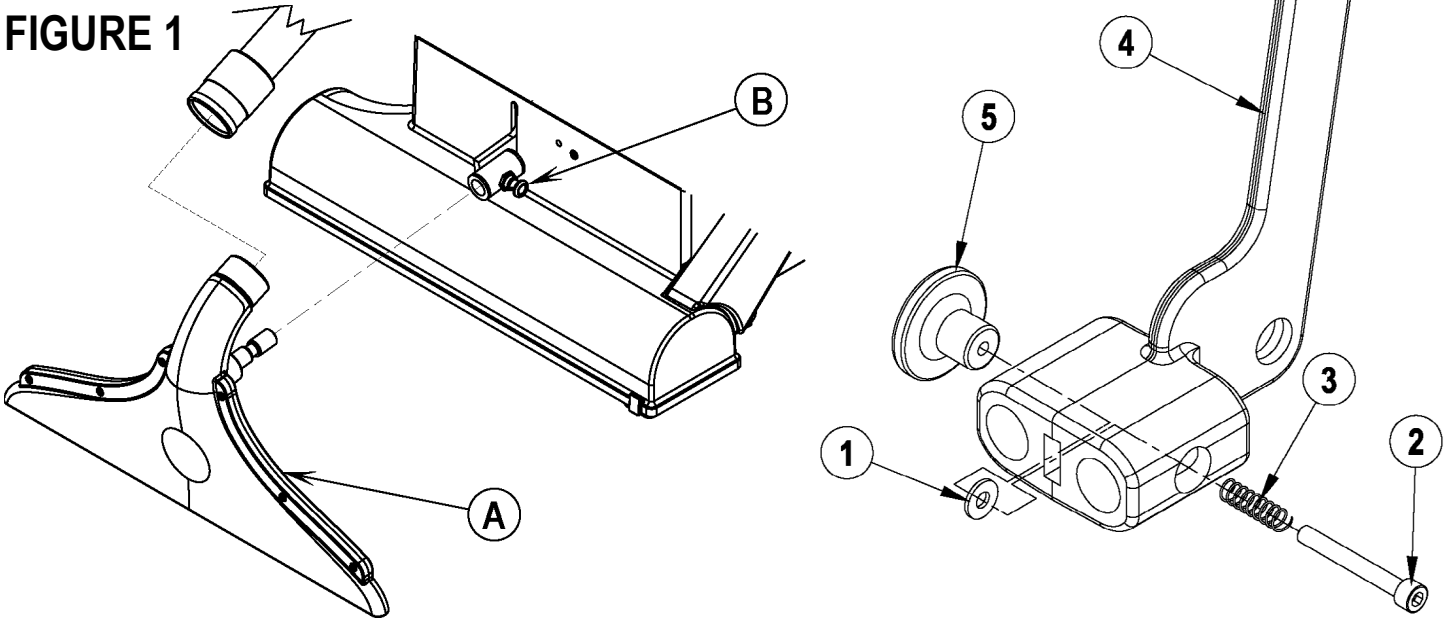
INSTALLATION INSTRUCTIONS

WARNING!

DISCONNECT POWER BEFORE SERVICING.

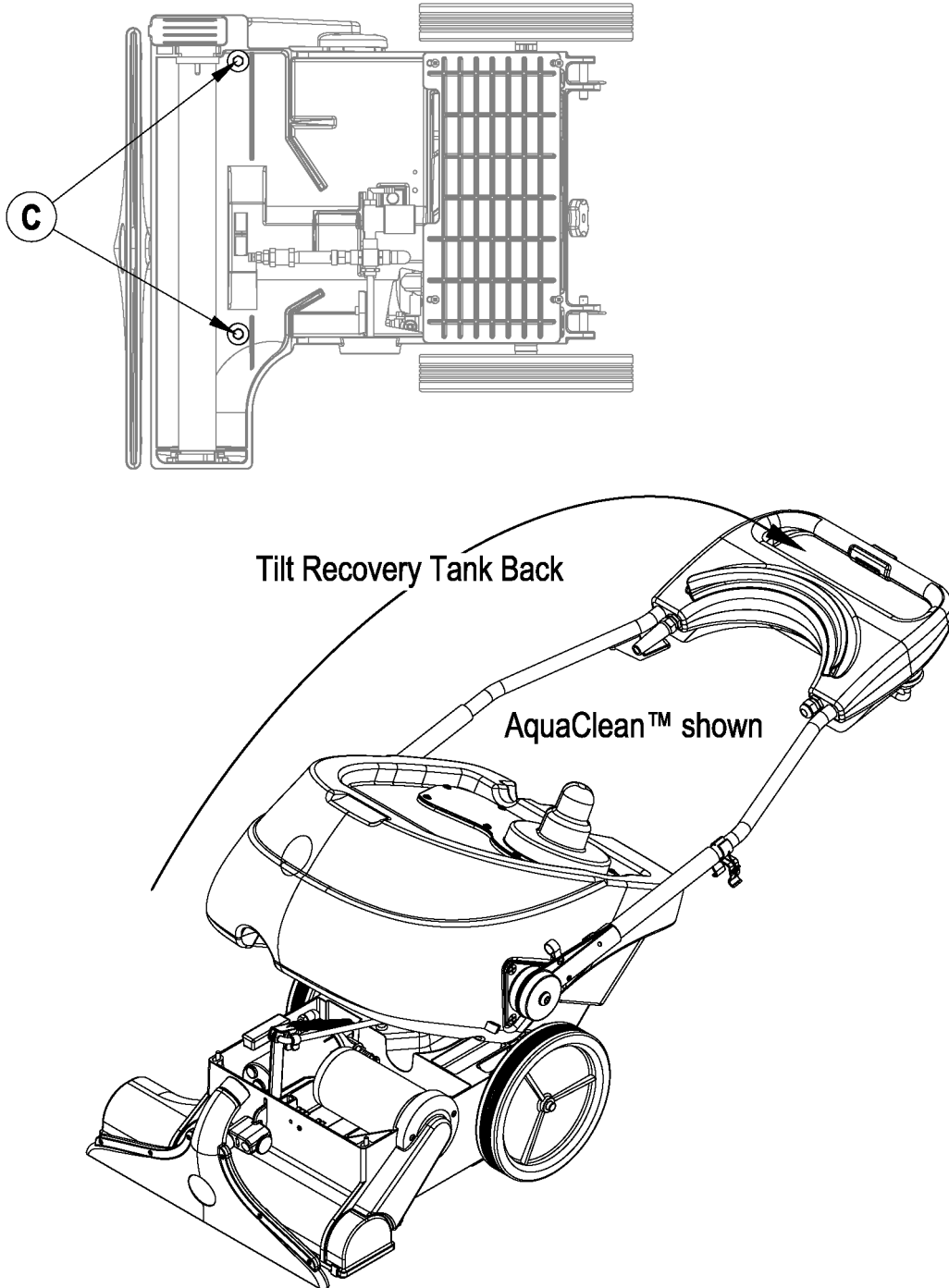
- 1 See Figure 1. Remove the Vacuum Shoe (A) by pulling on the Release Pin (B) and sliding the Vacuum Shoe (A) off. Then disconnect the recovery hose from the shoe.

FIGURE 1



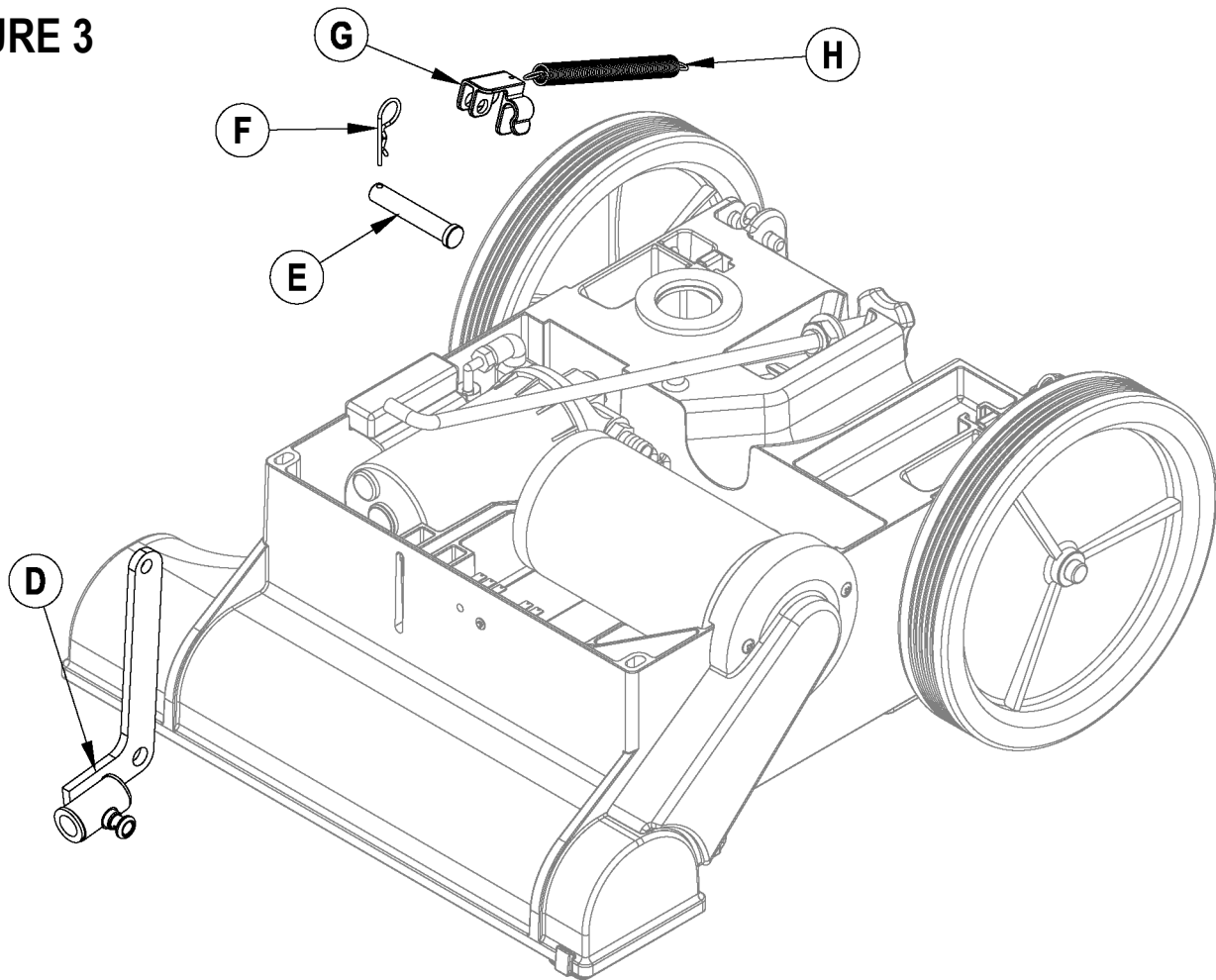
- 2 Drain the recovery and solution tanks and tip the machine over onto its side. **NOTE:** Remove the recovery tank.
- 3 **See Figure 2.** Remove the (2) (C) Screws and tip the machine back upright.
- 4 On AquaClean™ 18 and Klenzor™ models grab hold of the Operator's Handle and push down to tilt the recovery tank assembly back.
On AquaClean™ 16 and AX 410 models unlatch the handle release to tilt the Operator's Handle back and then tilt the recovery tank back.

FIGURE 2



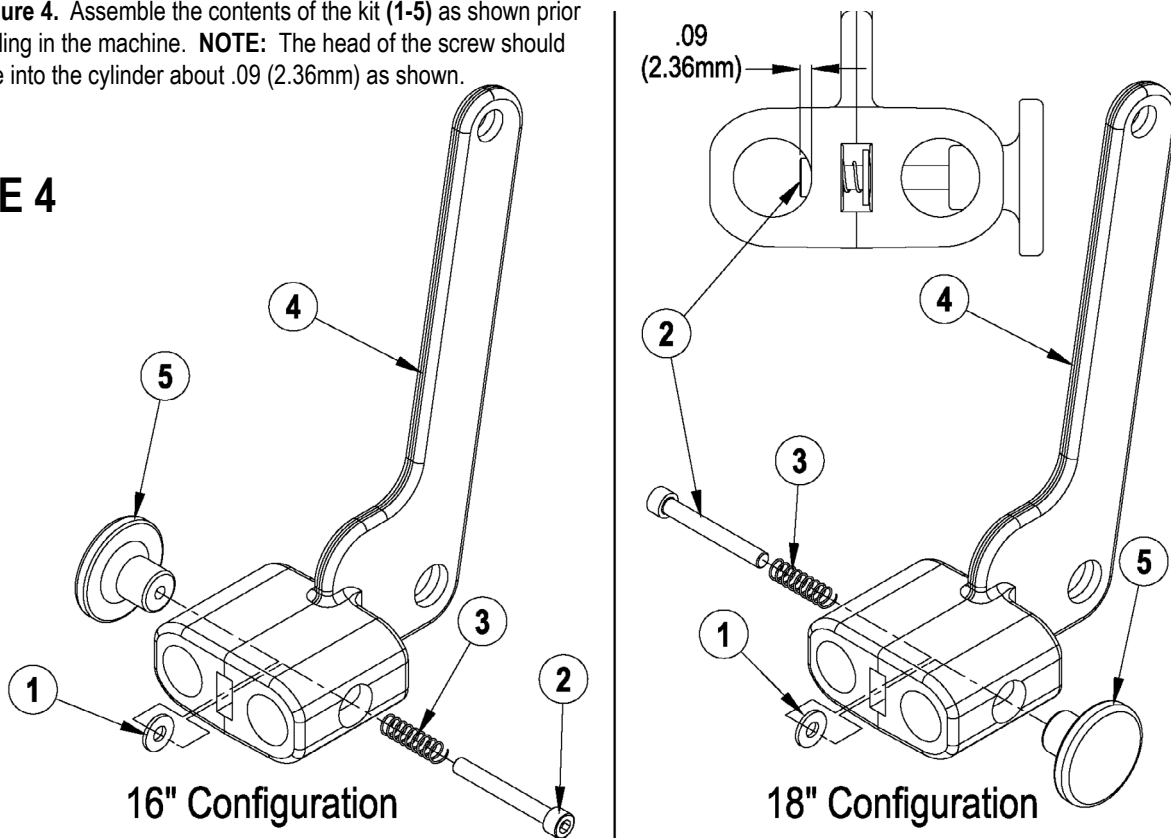
5 See Figure 3. Disassemble Items (D-H) as shown. Save (E-H) for reuse.

FIGURE 3



6 See Figure 4. Assemble the contents of the kit (1-5) as shown prior to installing in the machine. **NOTE:** The head of the screw should protrude into the cylinder about .09 (2.36mm) as shown.

FIGURE 4



- 7 See Figure 5. Install items (1-5) preassembled in step 6 in place of the original linkage arm (D) as shown reusing items (E-H).
- 8 Reinstall the Vacuum Shoe, tip the recovery tank back into place and reinstall the (2) (C) Screws removed in step 3. Reinstall the recovery tank.

FIGURE 5

