

56265226 PUMP, 60 PSI, BYPASS KIT

56265227 PUMP, 60 PSI, BYPASS KIT

AquaClean™ Models: 56265000, 56265001, 56265003, 56265008

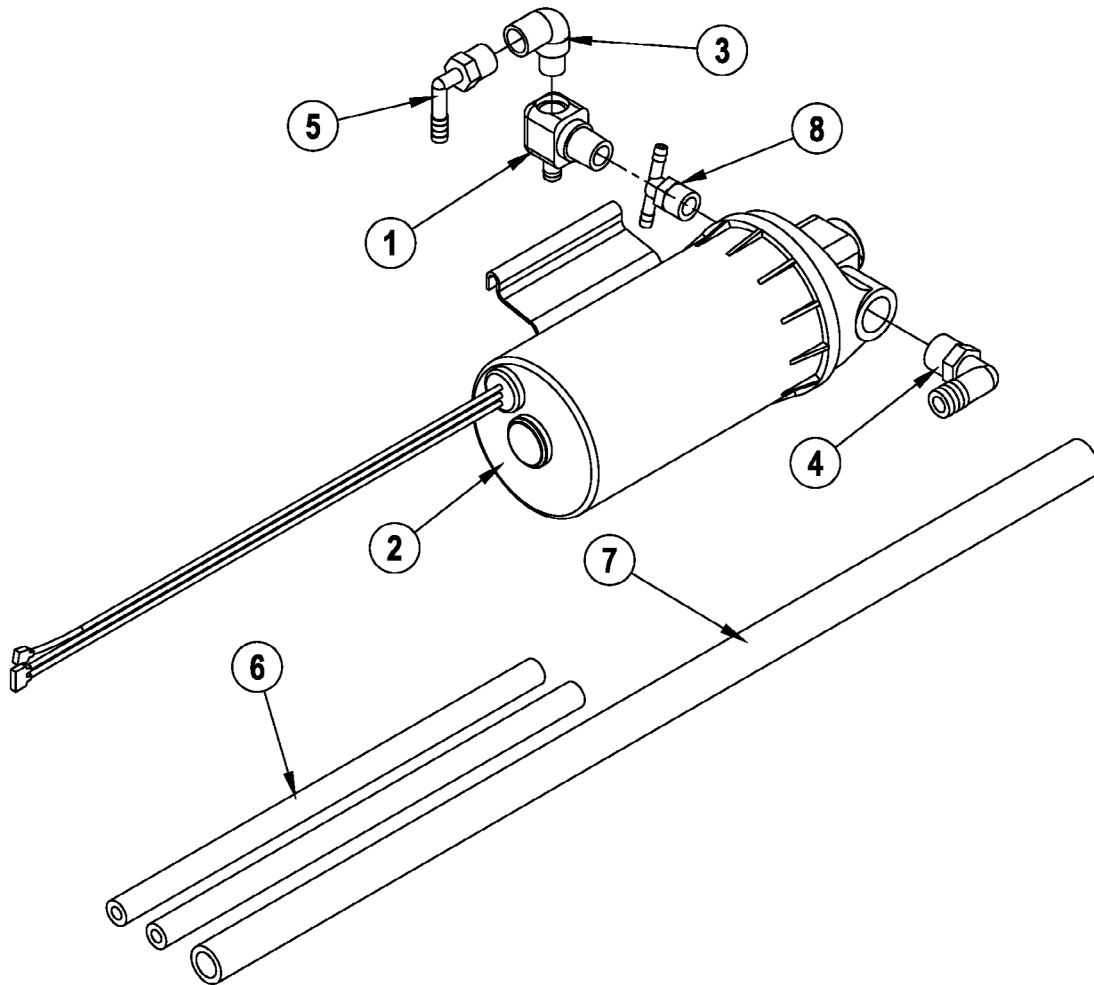
AX 410 Models: 56265002, 56265007

Klenzor™ Models: 56265004, 56265005

CONTENTS OF KIT

ITEM	PART NO.	QTY	DESCRIPTION
	56040923	1	Instruction Sheet
1	56264382	1	Adapter, Barbed NOTE 1
2	56265224	1	Pump, 115V (used in 56265227)
	56265223	1	Pump, 230V (used in 56265226)
3	56369632	1	Elbow, 90 Street NOTE 1
4	56900069	1	Barb, 90 Elbow 1/2 x 3/8NPT
5	56470138	1	Barb, 90 Elbow 1/4 x 1/4NPT NOTE 1
6	56264346	2	Hose, Polyester Braid (10")
7	56266134	1	Hose, Spiral .500
8	56507993	1	Tee, Barb 1/4 x 3/8NPT (Only used on 56265001)

NOTE 1: These items are used on all models except 56265001.



INSTALLATION INSTRUCTIONS

WARNING!

DISCONNECT POWER BEFORE SERVICING.

- 1 Drain the recovery and solution tanks and tip the machine over onto its side. **NOTE:** Remove the recovery tank.
- 2 **See Figure 1.** Remove the (2) (A) Screws and solution hose (B) from the machine.
- 3 Remove Hose (C) on AquaClean™ 16ST & 18ST and all Kent Klenzor™ models.
Disconnect Hose (C) from the pump on AquaClean™ 16XP & 18FLX and all AX 410 models.
- 4 Tip the machine back upright.
On AquaClean™ 18ST & 18FLX and all Kent Klenzor™ models grab hold of the Operator's Handle and push down to tilt the solution tank assembly back.
On AquaClean™ 16ST & 16XP and all AX 410 models unlatch the handle release to tilt the Operator's Handle back and then tilt the solution tank back.
- 5 Remove the top solution hose that connects the solution tank to the pump and the pump wiring connectors. The Pump (D) can now be lifted straight up and out of the base assembly. **NOTE:** Make note of the orientation of the pump mounts (E) for reassembly. Make note of the connection locations of the wiring for reassembly.

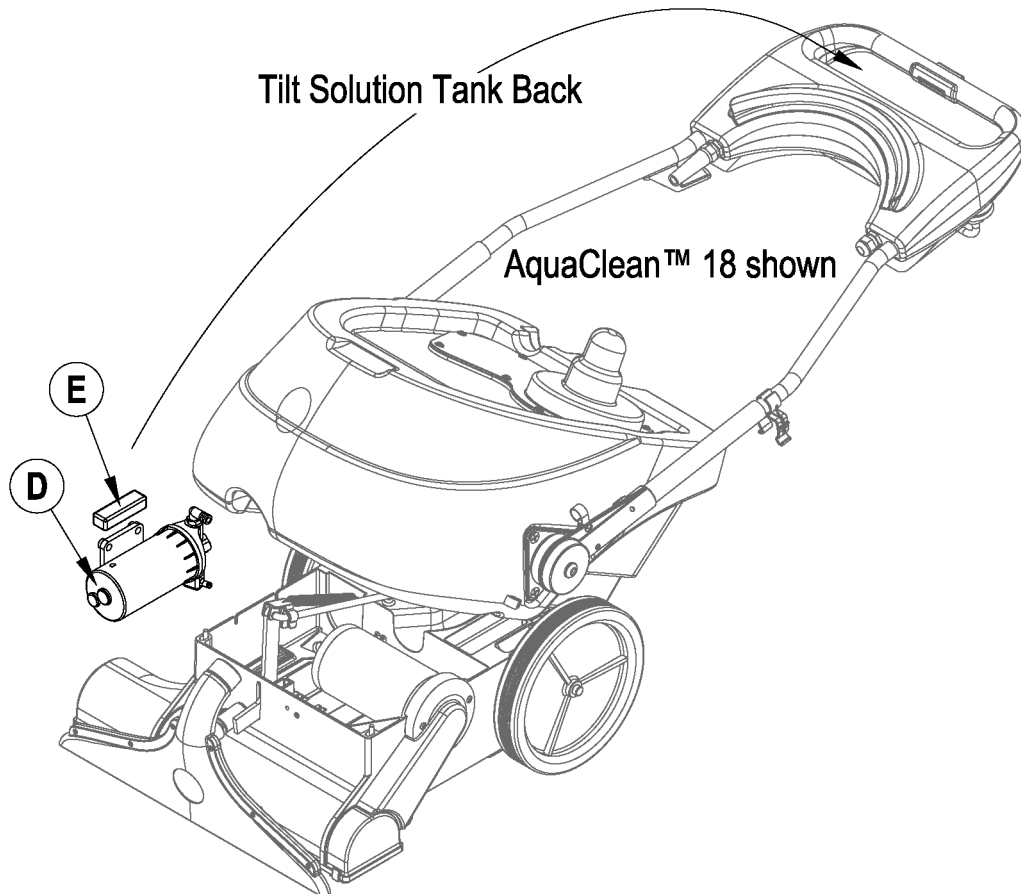
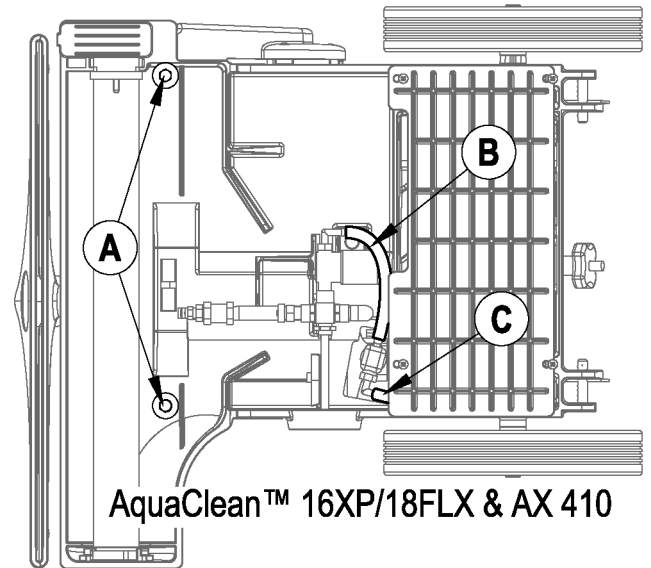
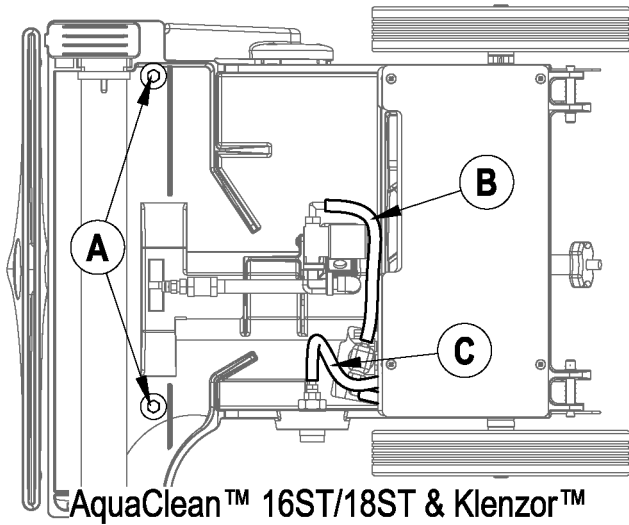


FIGURE 1

ASSEMBLY FOR ALL MODELS EXCEPT 56265001 (AquaClean 18FLX)

- 6 See Figure 2. Assemble Items (1-5) as shown and install the Pump Assembly into the base and connect the pump wiring.
- 7 Install (1) Hose (6) between the Pump (2) and the nozzle assembly in place of Hose (B) removed in step 2 on all models.
- 8 Install the remaining Hose (6) between the Pump (2) and the Quick Disconnect (F) on AquaClean™ 16ST & 18ST and all Kent Klenzor™ models.
Reconnect Hose (C) to the Pump (2) on AquaClean™ 16XP and all AX 410 models.
- 9 Install Hose (7) between the solution tank and the new Pump (2).
- 10 Tip the solution tank back into place, reinstall the (A) Screws and reinstall the recovery tank.

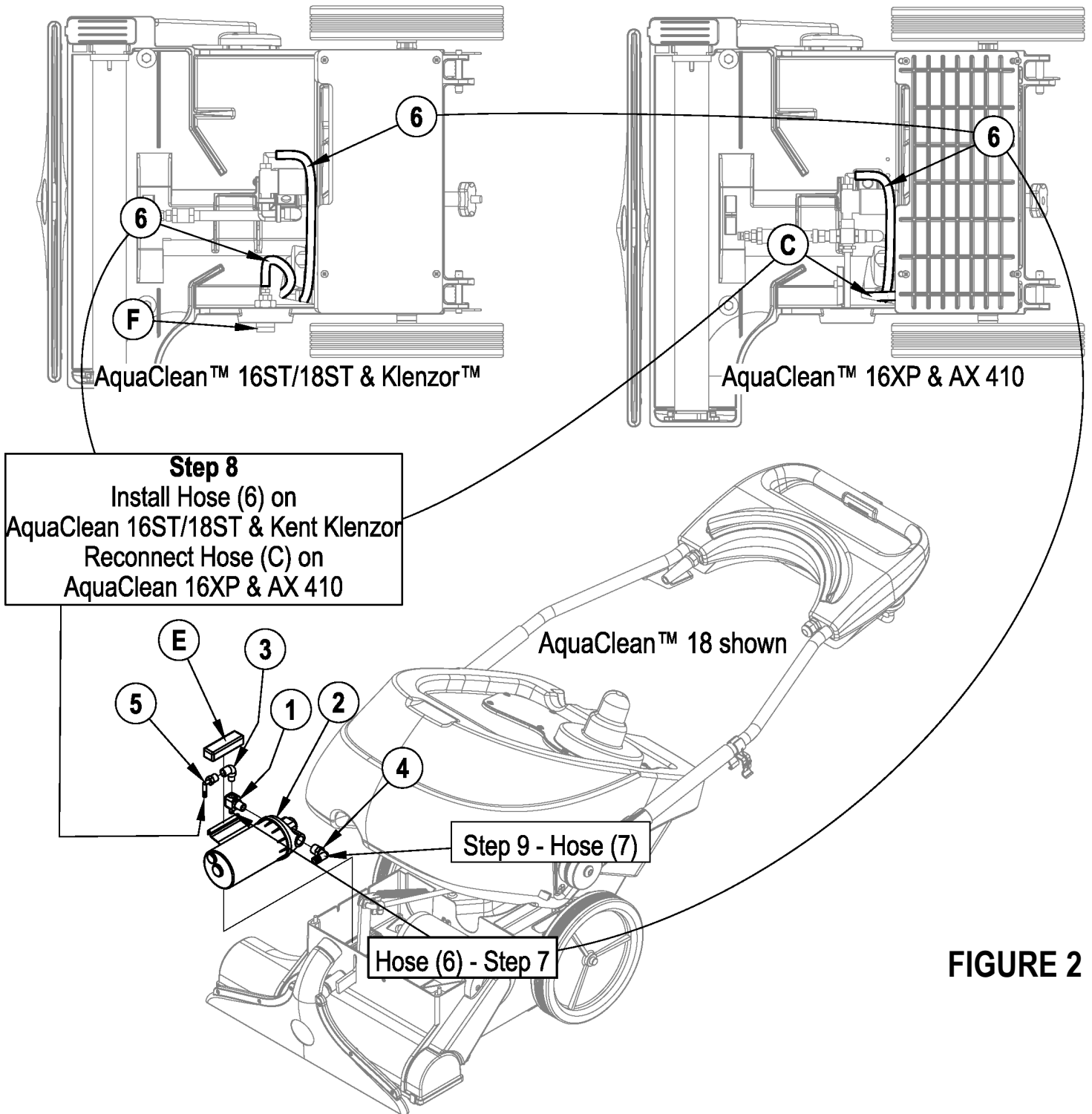


FIGURE 2

ASSEMBLY FOR 56265001 (AquaClean 18FLX)

- 6 See Figure 3. Assemble Items (2, 4 & 8) as shown and install the Pump Assembly into the base and connect the pump wiring.
- 7 Install (1) Hose (6) between the Pump (2) and the nozzle assembly in place of Hose (B) removed in step 2.
- 8 Reconnect Hose (C) to the Pump (2).
- 9 Install Hose (7) between the solution tank and the new Pump (2).
- 10 Tip the solution tank back into place, reinstall the (A) Screws and reinstall the recovery tank.

FIGURE 3

