

56115001 HANDLE KIT

HydroDry™ Model: 56115000

CONTENTS OF KIT

| ITEM | PART NO. | QTY | DESCRIPTION |
|------|----------|-----|----------------------------------|
| | 56040871 | 1 | Instruction Sheet |
| 1 | NA | 1 | Shaft, Wheel |
| 2 | NA | 2 | Wheel |
| 3 | NA | 2 | E-Retaining Ring, 12 |
| 4 | NA | 2 | Washer, Flat 14 |
| 5 | NA | 2 | Shaft Cap |
| 6 | NA | 1 | Handle |
| 7 | NA | 1 | Grip, Handle |
| 8 | NA | 2 | Washer, Flat 1/4 |
| 9 | NA | 2 | Nut, Lock 1/4-20 |
| 10 | NA | 2 | Bolt, Hex Hd 1/4-20 x 1.75 |
| 11 | NA | 2 | Washer, Bend 1/4 |
| 12 | NA | 4 | Scr, Pan Phil Thd Form #10 x .75 |

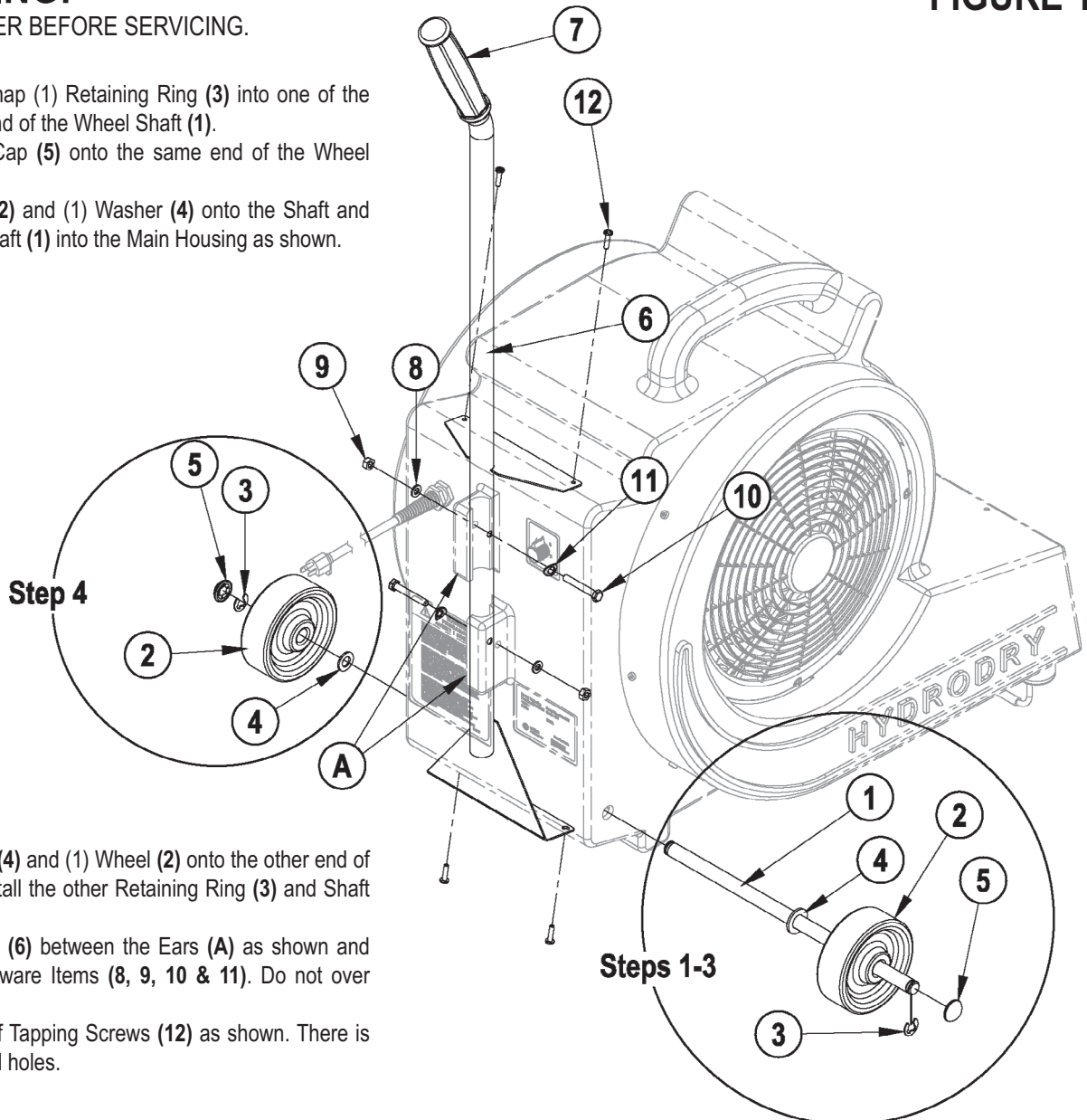
INSTALLATION INSTRUCTIONS

WARNING!

DISCONNECT POWER BEFORE SERVICING.

FIGURE 1

- 1 See Figure 1. Snap (1) Retaining Ring (3) into one of the grooves at one end of the Wheel Shaft (1).
- 2 Press (1) Shaft Cap (5) onto the same end of the Wheel Shaft.
- 3 Slide (1) Wheel (2) and (1) Washer (4) onto the Shaft and then insert the Shaft (1) into the Main Housing as shown.



- 4 Slide (1) Washer (4) and (1) Wheel (2) onto the other end of the Shaft and install the other Retaining Ring (3) and Shaft Cap (5).
- 5 Insert the Handle (6) between the Ears (A) as shown and secure with Hardware Items (8, 9, 10 & 11). Do not over tighten screws.
- 6 Install the (4) Self Tapping Screws (12) as shown. There is no need to predrill holes.